



US00D582271S

(12) **United States Design Patent**  
**Vogel**

(10) **Patent No.:** **US D582,271 S**  
(45) **Date of Patent:** **\*\* Dec. 9, 2008**

- (54) **CLOSURE FOR A CONTAINER**
- (75) Inventor: **William C. Vogel**, Mequon, WI (US)
- (73) Assignee: **Gateway Plastics, Inc.**, Mequon, WI (US)
- (\*\*) Term: **14 Years**
- (21) Appl. No.: **29/284,566**
- (22) Filed: **Sep. 11, 2007**

**Related U.S. Application Data**

- (63) Continuation of application No. 29/269,221, filed on Nov. 21, 2006, now Pat. No. Des. 550,557, which is a continuation of application No. 29/217,726, filed on Nov. 20, 2004, now Pat. No. Des. 532,298.

- (51) **LOC (8) Cl.** ..... **09-07**
- (52) **U.S. Cl.** ..... **D9/447; D9/454; D9/449**
- (58) **Field of Classification Search** ..... D9/741, D9/738, 454, 449, 447, 435, 421, 420; 222/556, 222/483, 480; 220/838, 826, 822, 810; 215/316, 215/200

See application file for complete search history.

(56) **References Cited**

**U.S. PATENT DOCUMENTS**

- 3,140,019 A \* 7/1964 Barr ..... 222/480
- D278,602 S \* 4/1985 Rosenstein ..... D9/449
- 4,693,399 A \* 9/1987 Hickman et al. .... 222/480
- D305,206 S \* 12/1989 Hickman et al. .... D9/449
- 4,955,513 A \* 9/1990 Bennett ..... 222/480
- D318,777 S \* 8/1991 Freese ..... D9/446
- 5,219,100 A \* 6/1993 Beck et al. .... 222/480
- D339,065 S \* 9/1993 Forsyth et al. .... D9/447
- D340,187 S \* 10/1993 Forsyth ..... D9/449
- D410,388 S \* 6/1999 Fisher et al. .... D9/449
- 5,971,231 A \* 10/1999 Samz et al. .... 222/480
- 5,975,368 A \* 11/1999 Wood ..... 222/480
- 6,250,517 B1 \* 6/2001 Samz et al. .... 222/480

- 6,308,870 B2 \* 10/2001 Samz et al. .... 222/480
- RE37,634 E \* 4/2002 Hickman et al. .... 222/480
- 6,460,718 B1 \* 10/2002 Vogel ..... 220/254.2
- 6,464,113 B1 \* 10/2002 Vogel ..... 222/480
- 6,691,901 B2 \* 2/2004 Parve et al. .... 222/480
- D494,812 S \* 8/2004 Tremblay ..... D9/447
- D509,426 S \* 9/2005 Samz et al. .... D9/447
- 7,007,830 B2 \* 3/2006 Parve et al. .... 222/556
- D530,610 S \* 10/2006 Samz et al. .... D9/447
- D532,691 S \* 11/2006 Vogel ..... D9/435
- 7,134,575 B2 \* 11/2006 Vogel et al. .... 222/143
- D533,452 S \* 12/2006 Vogel ..... D9/449
- D536,613 S \* 2/2007 Vogel et al. .... D9/449
- D541,152 S \* 4/2007 Samz et al. .... D9/447
- D552,989 S \* 10/2007 Vogel ..... D9/435
- D552,990 S \* 10/2007 Vogel ..... D9/435
- 2003/0111495 A1 \* 6/2003 Parve et al. .... 222/556

\* cited by examiner

*Primary Examiner*—Robert M. Spear

*Assistant Examiner*—Susan B Hattan

(74) *Attorney, Agent, or Firm*—Foley & Lardner LLP

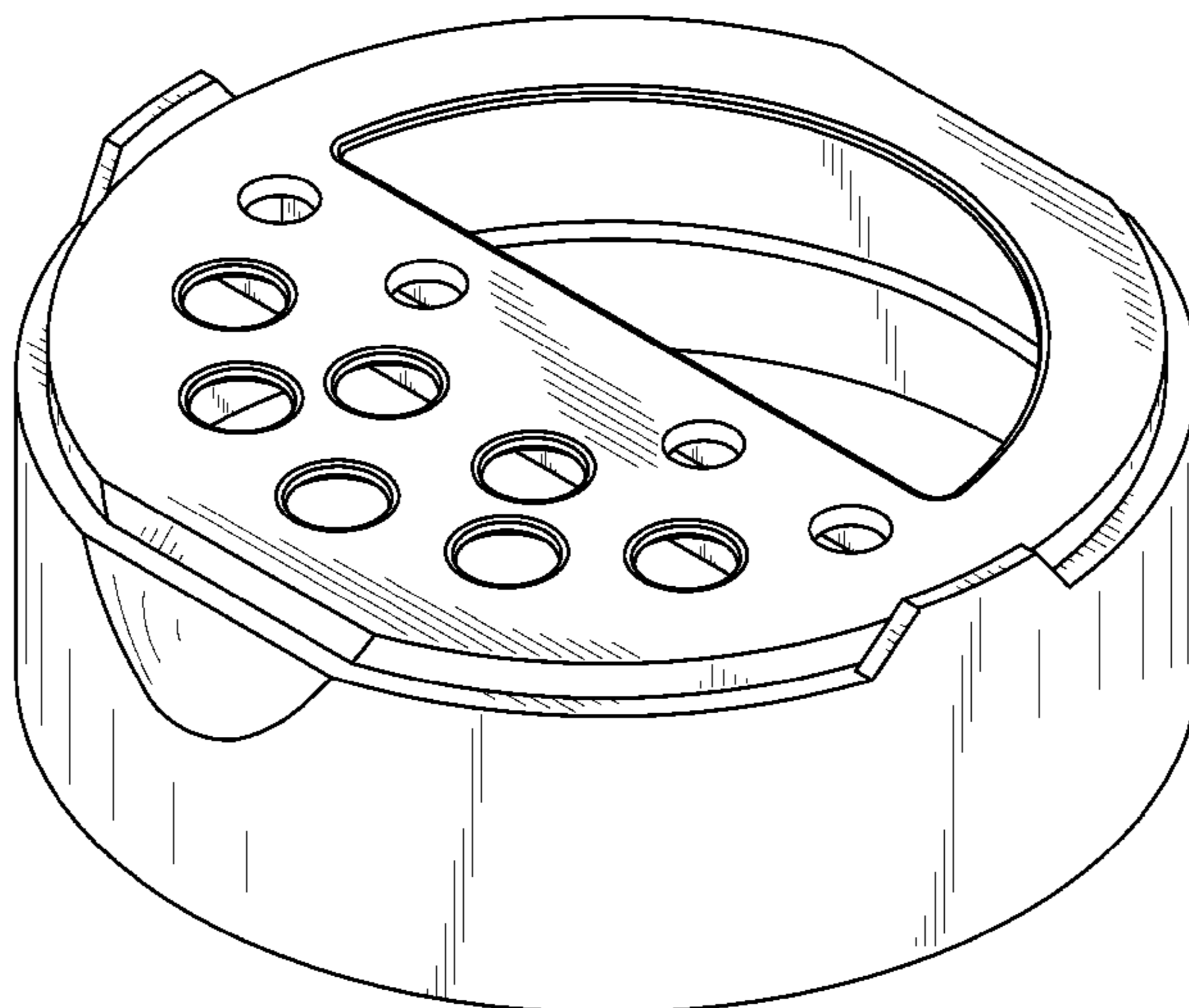
(57) **CLAIM**

We claim the ornamental design for a closure for a container, as shown and described.

**DESCRIPTION**

FIG. 1 is a top perspective view of a closure for a container; FIG. 2 is a top perspective view of the design of FIG. 1; FIG. 3 is a bottom perspective view of the design of FIG. 1; FIG. 4 is a bottom perspective view of the design of FIG. 1; FIG. 5 is a top view of the design of FIG. 1; FIG. 6 is a bottom view of the design of FIG. 1; FIG. 7 is a right side view of the design of FIG. 1, the left side view being a mirror image; FIG. 8 is a front view of the design of FIG. 1; and, FIG. 9 is a rear view of the design of FIG. 1.

**1 Claim, 7 Drawing Sheets**



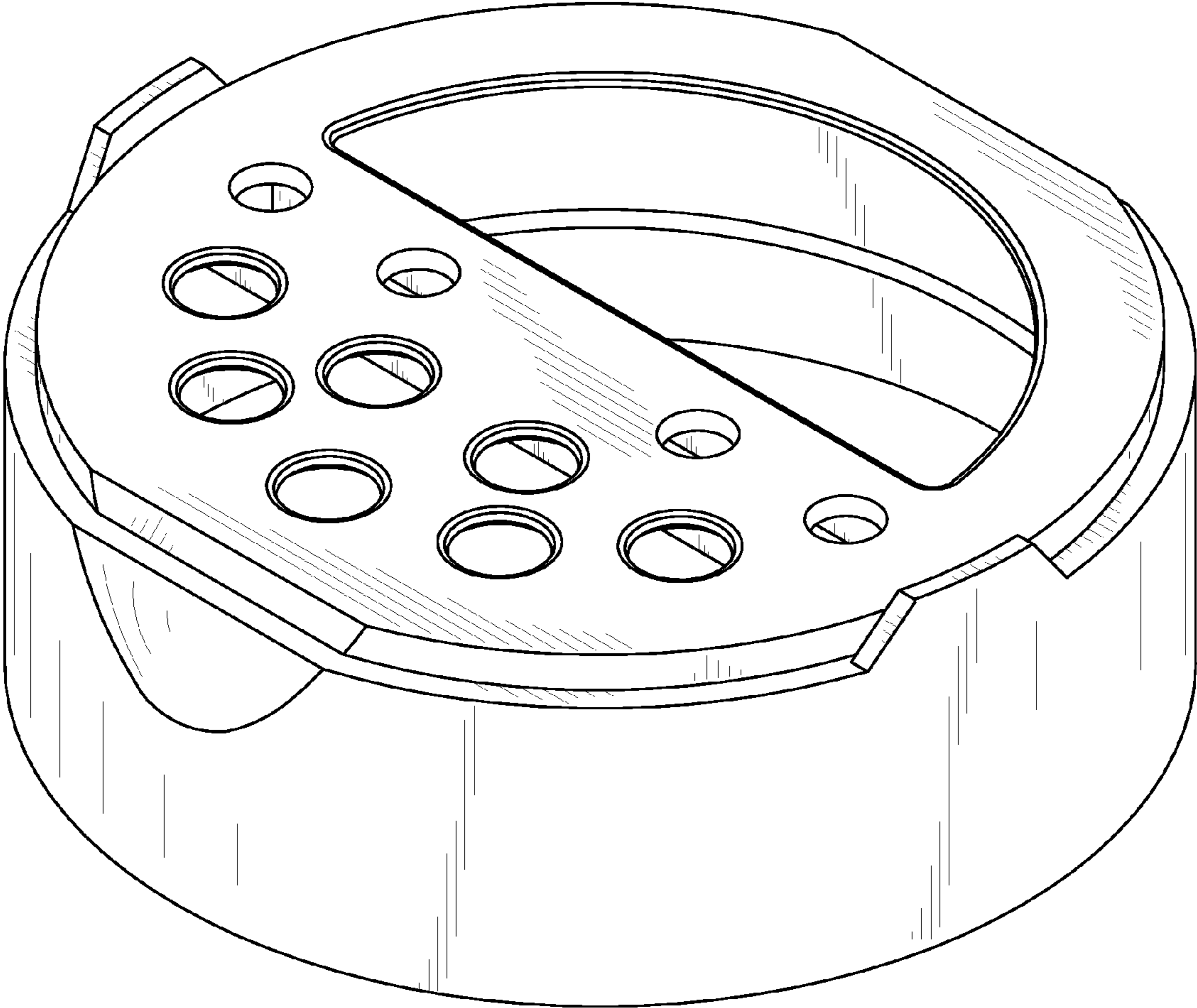


FIGURE 1

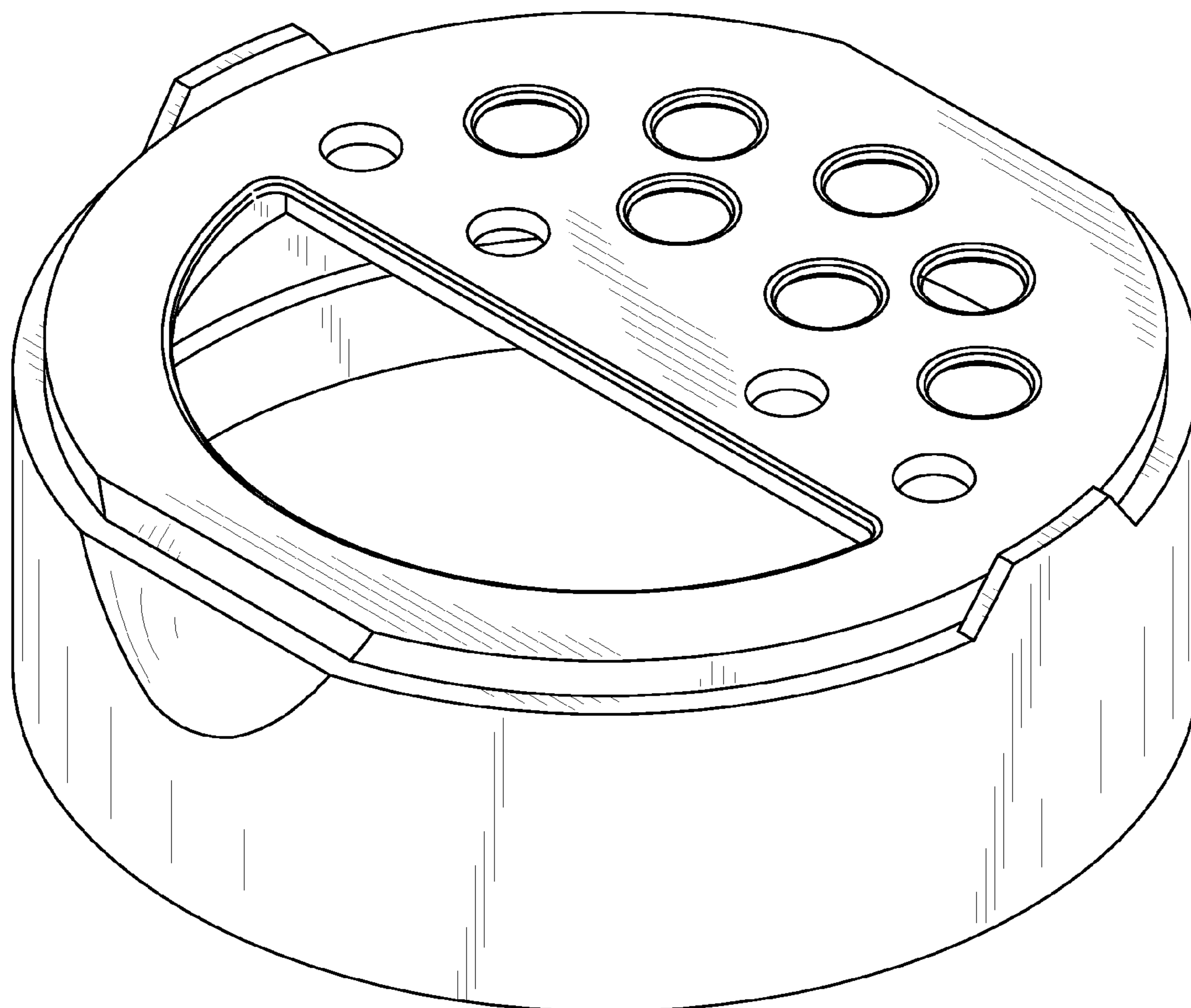


FIGURE 2

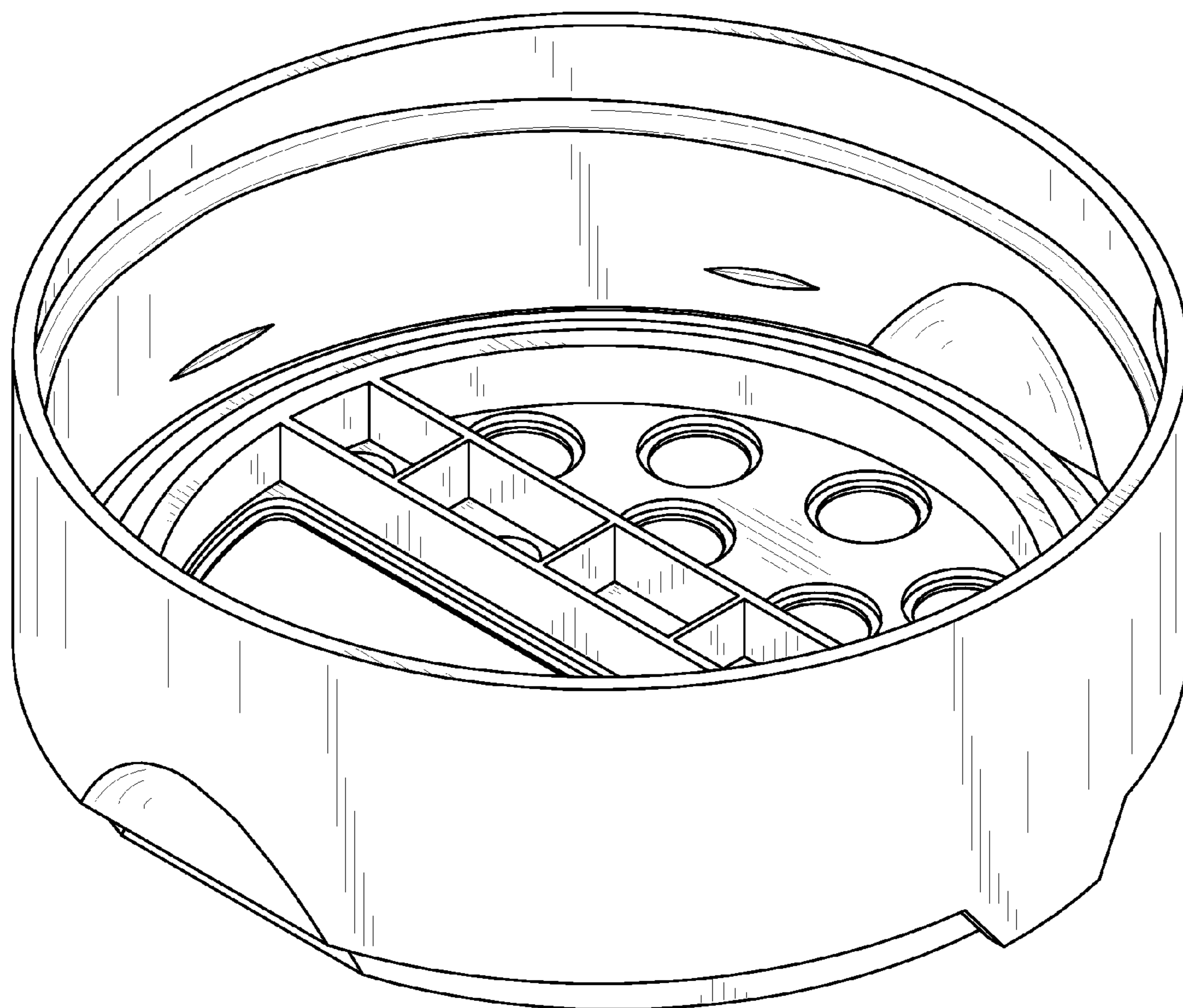


FIGURE 3

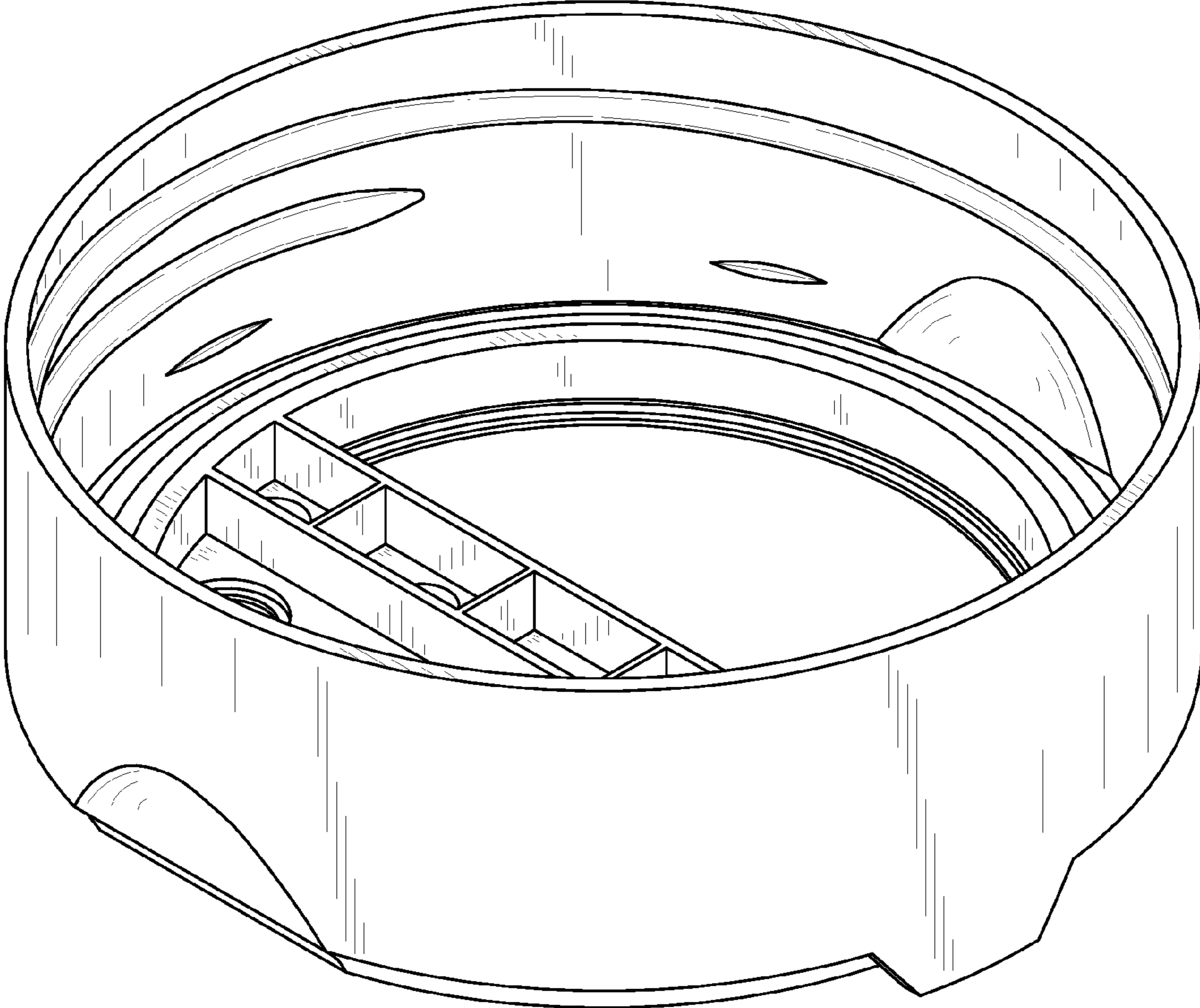


FIGURE 4

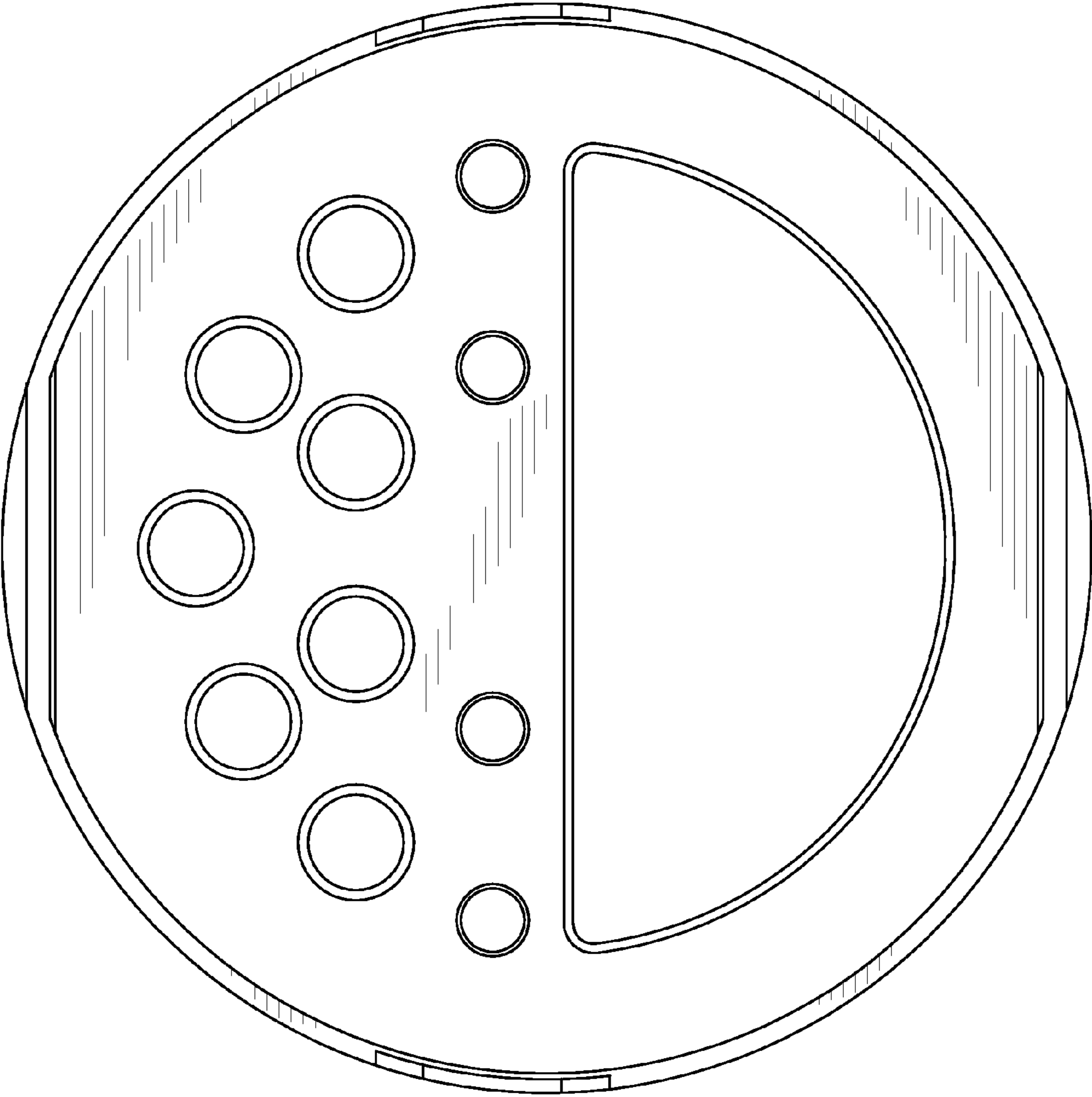


FIGURE 5

FIGURE 6

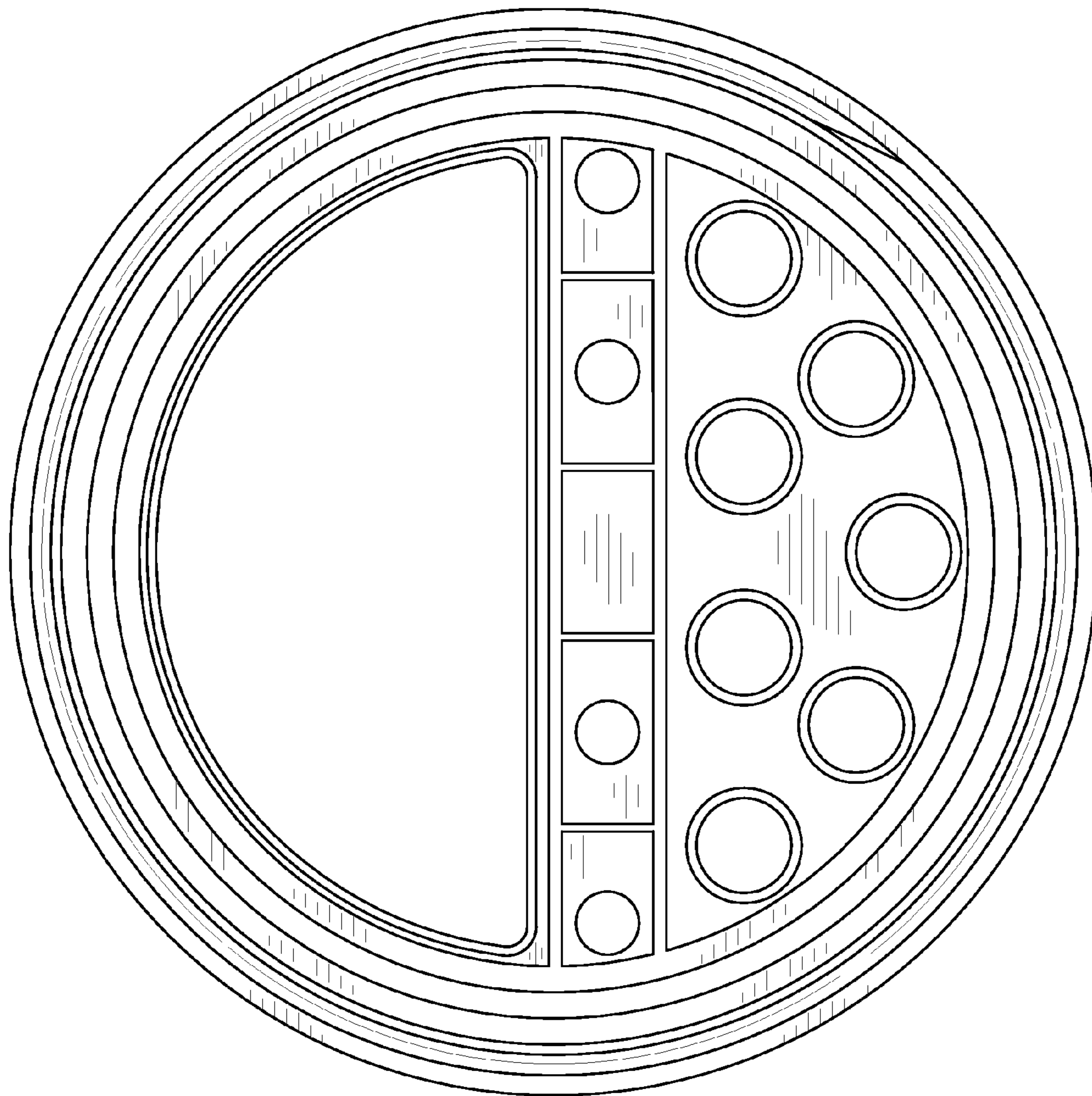


FIGURE 7

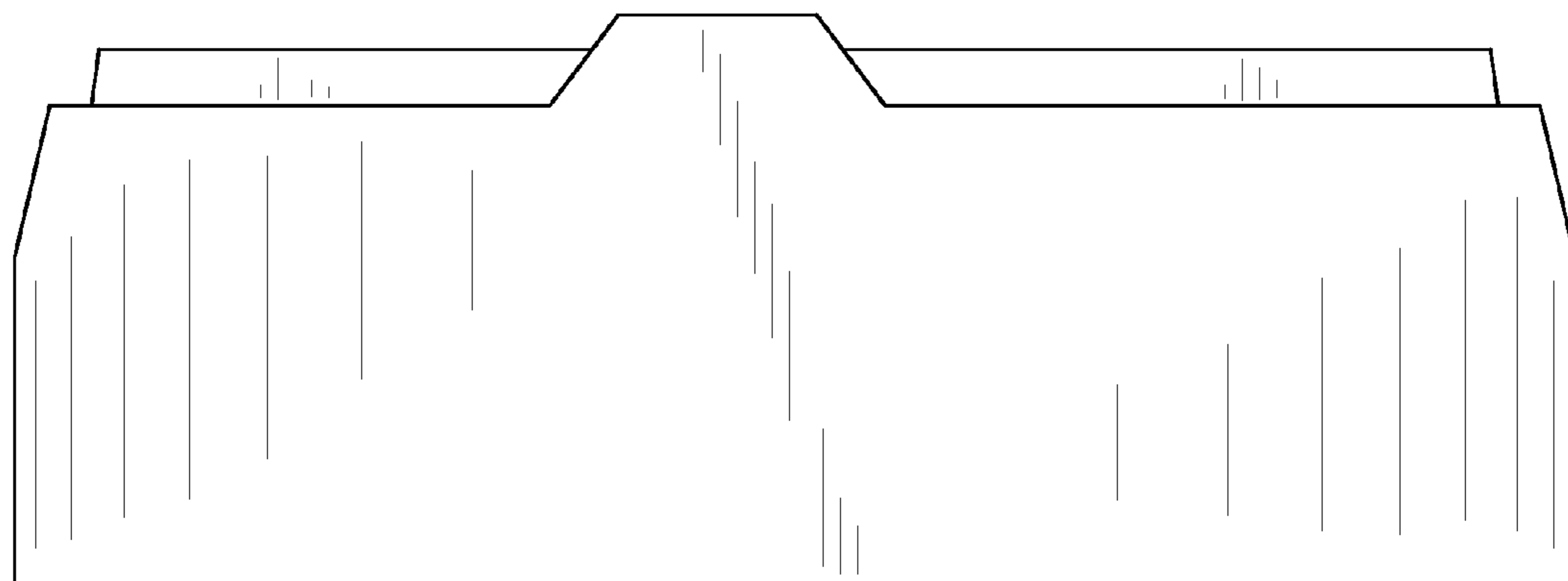


FIGURE 8

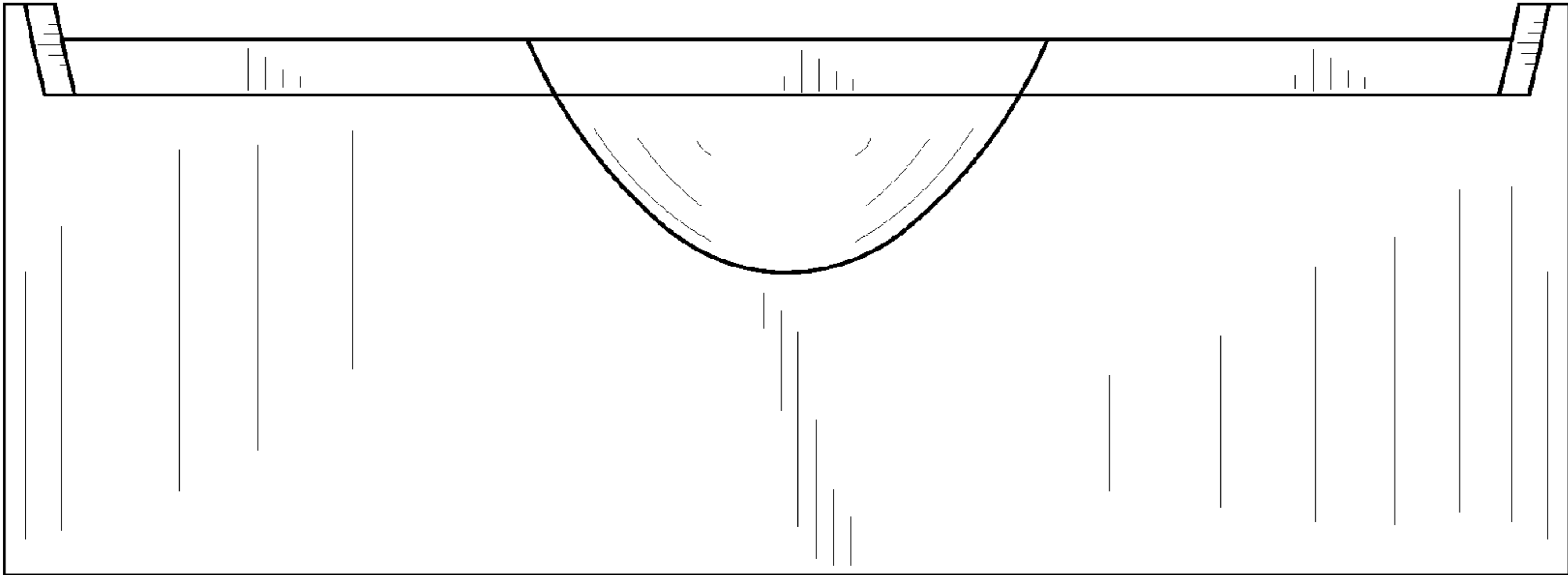


FIGURE 9

