



US00D582267S

(12) **United States Design Patent**
Andre et al.

(10) **Patent No.:** **US D582,267 S**
(45) **Date of Patent:** **** Dec. 9, 2008**

(54) **PACKAGE**

(75) Inventors: **Bartley K. Andre**, Menlo Park, CA (US); **Daniel J. Coster**, San Francisco, CA (US); **Daniele De Iuliis**, San Francisco, CA (US); **Richard P. Howarth**, San Francisco, CA (US); **Jonathan P. Ive**, San Francisco, CA (US); **Steve Jobs**, Palo Alto, CA (US); **Duncan Robert Kerr**, San Francisco, CA (US); **Shin Nishibori**, San Francisco, CA (US); **Matthew Dean Rohrbach**, San Francisco, CA (US); **Douglas B. Satzger**, Menlo Park, CA (US); **Calvin Q. Seid**, Palo Alto, CA (US); **Christopher J. Stringer**, Woodside, CA (US); **Eugene Antony Whang**, San Francisco, CA (US); **Rico Zorkendorfer**, San Francisco, CA (US)

(73) Assignee: **Apple Inc.**, Cupertino, CA (US)

(**) Term: **14 Years**

(21) Appl. No.: **29/296,791**

(22) Filed: **Oct. 29, 2007**

Related U.S. Application Data

(63) Continuation of application No. 29/265,952, filed on Sep. 11, 2006, now Pat. No. Des. 558,572.

(51) **LOC (8) Cl.** **09-03**

(52) **U.S. Cl.** **D9/432**

(58) **Field of Classification Search** D9/430-433, D9/414-418; 229/105-106, 108, 108.1, 229/100, 112-113, 115-116, 110, 162.1, 229/922, 938; 206/551, 746, 457, 784, 822; D3/291, 302

See application file for complete search history.

(56) **References Cited**

U.S. PATENT DOCUMENTS

1,315,593	A	9/1919	Binder	
D111,649	S	10/1938	Domenico	
D114,891	S	5/1939	Fogel	
D246,439	S	11/1977	Lynn et al.	
D248,621	S	7/1978	Hay et al.	
D397,552	S *	9/1998	Rutledge D3/302
D406,463	S *	3/1999	Rutledge D3/302
D411,448	S *	6/1999	Baker D9/415
D417,391	S *	12/1999	Szczepanski et al. D9/423
D541,045	S *	4/2007	Peart et al. D3/291

FOREIGN PATENT DOCUMENTS

EM	546403-0001	8/2006
JP	61-40925	3/1986
KR	30-0267299	12/2000
TW	0488766	7/1990
TW	D105819	8/2005

* cited by examiner

Primary Examiner—Robert A Delehanty

(74) *Attorney, Agent, or Firm*—Sterne, Kessler, Goldstein & Fox P.L.L.C.

(57) **CLAIM**

We claim the ornamental design for a package, substantially as shown and described.

DESCRIPTION

FIG. 1 is a perspective view of a package in accordance with the present design. The package can, for example, be used to package an electronic device such as a media device.

FIG. 2 is a front or back view for the package of FIG. 1;

FIG. 3 is a left or right side view for the package of FIG. 1;

FIG. 4 is a top or bottom view for the package of FIG. 1;

FIG. 5 is a perspective view of a package in accordance with an alternate embodiment;

FIG. 6 is a front or back view for the package of FIG. 5;

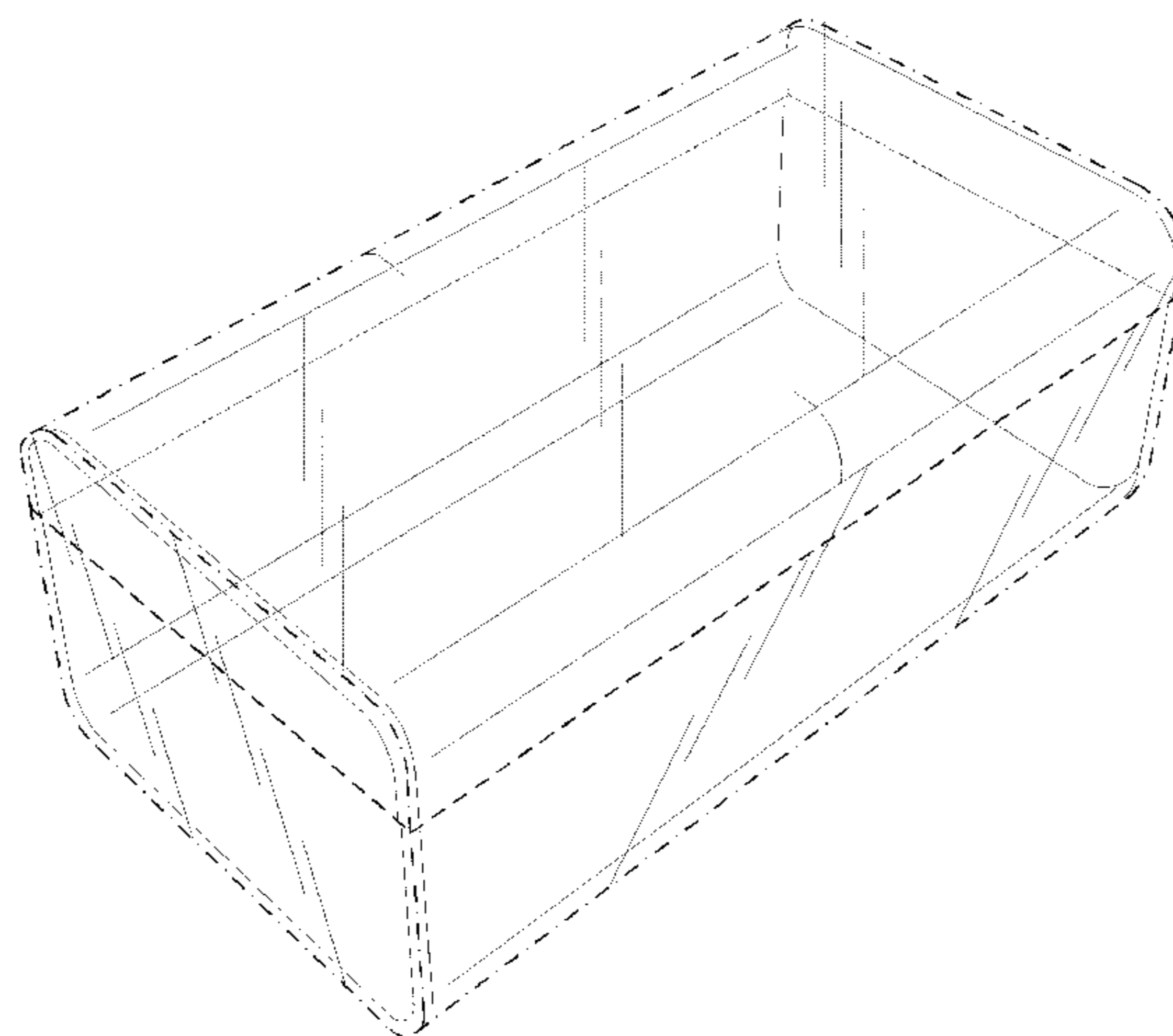


FIG. 7 is a left or right side view for the package of FIG. 5;
FIG. 8 is a top or bottom view for the package of FIG. 5;
FIG. 9 is a perspective view of a package in accordance with an alternate embodiment;
FIG. 10 is a front view of the package of FIG. 9;
FIG. 11 is a back view of the package of FIG. 9;
FIG. 12 is a left or right side view of the package of FIG. 9;
and,

FIG. 13 is a top or bottom view of the package of FIG. 9.

The broken lines shown as dashed lines represent unclaimed subject matter and form no part of the claimed design. The broken lines shown as dashed-dotted lines represent indeterminate length of the sides of the package. The characteristic feature of the design resides in a package for an article of manufacture such as a media device or an electronic device.

1 Claim, 6 Drawing Sheets

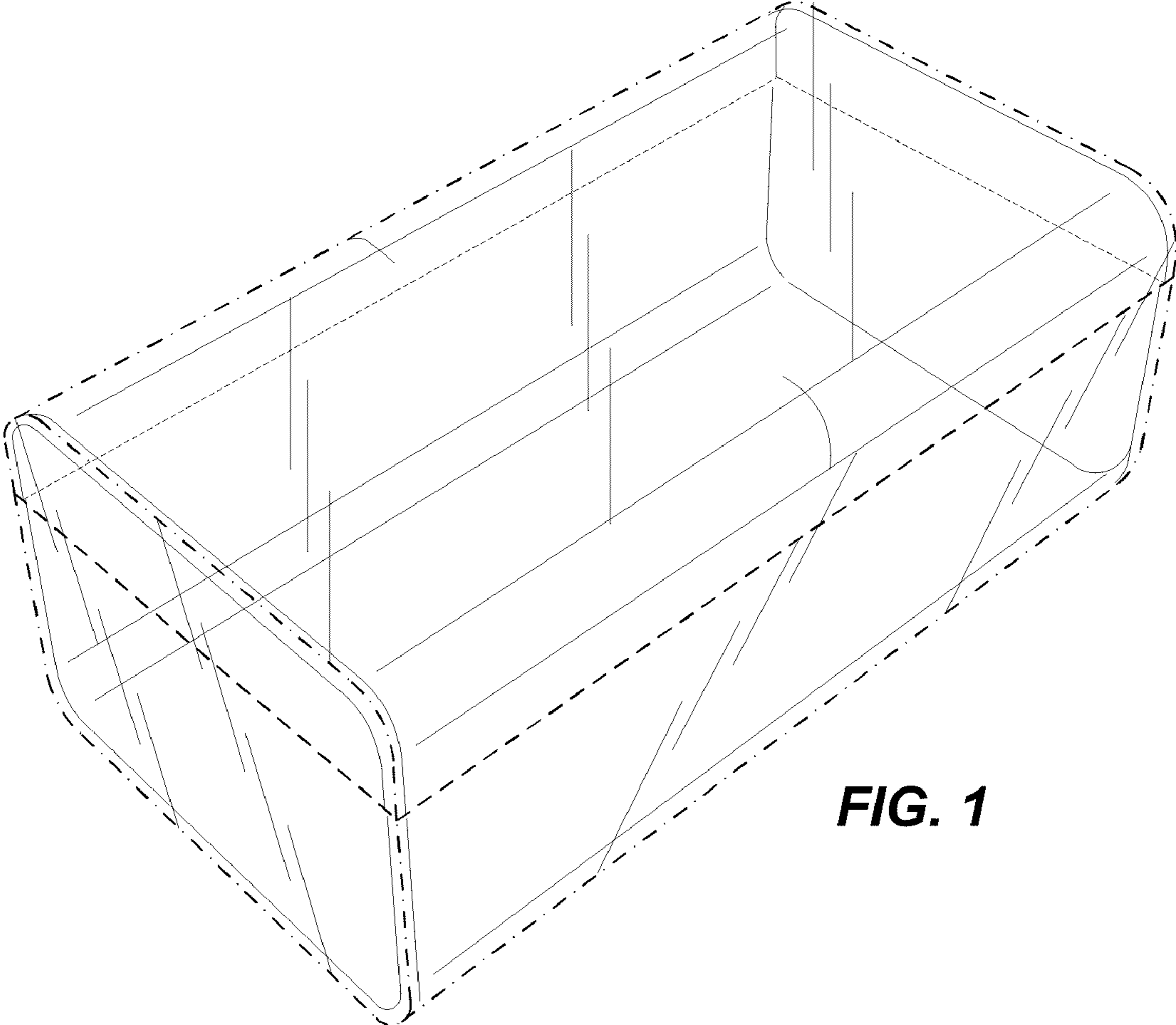


FIG. 1

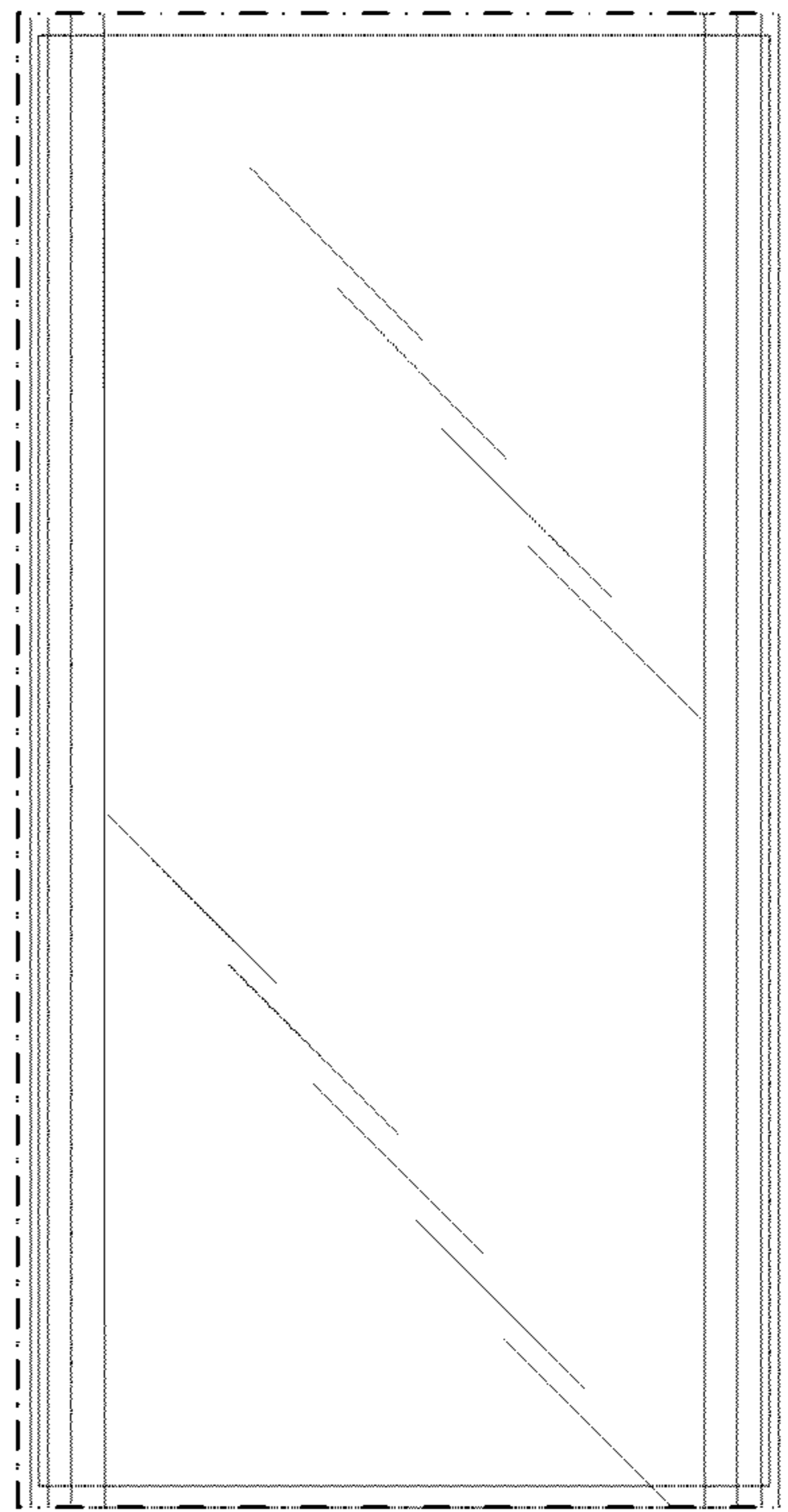


FIG. 2

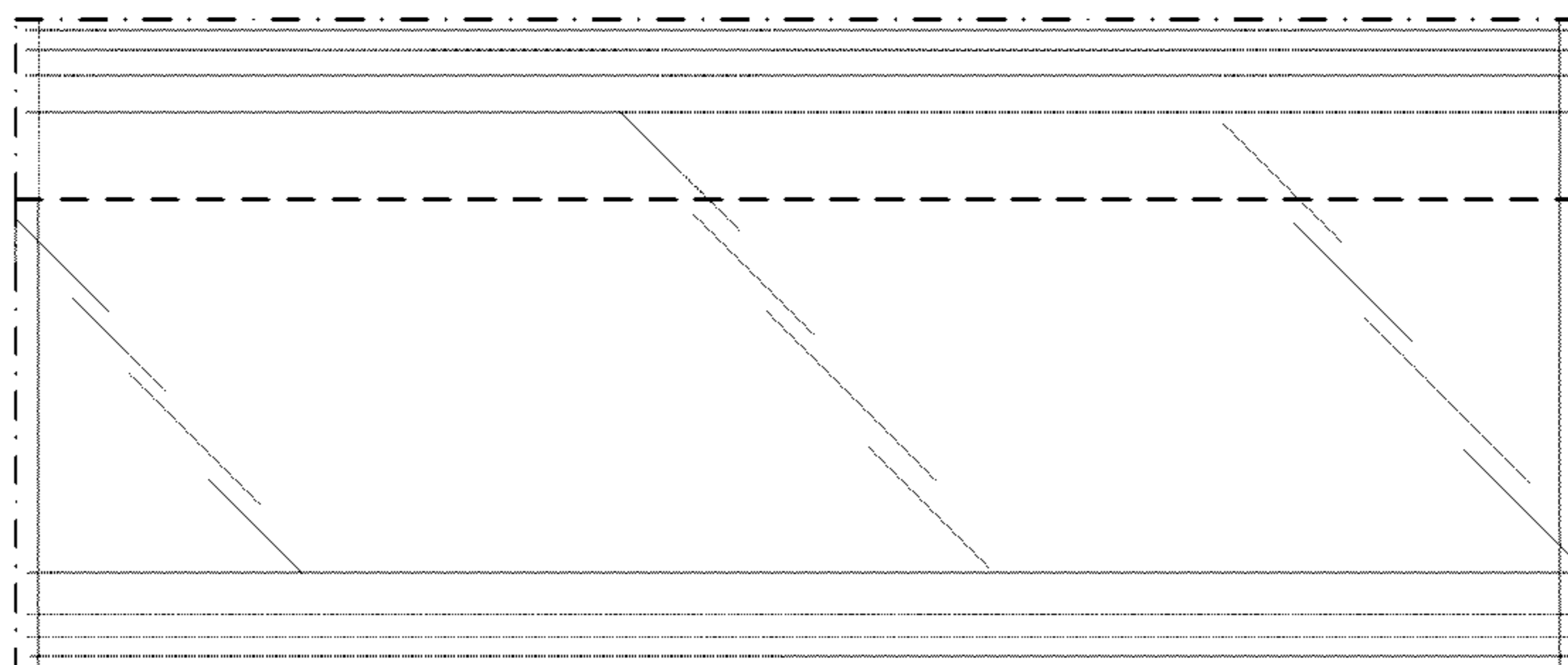


FIG. 3

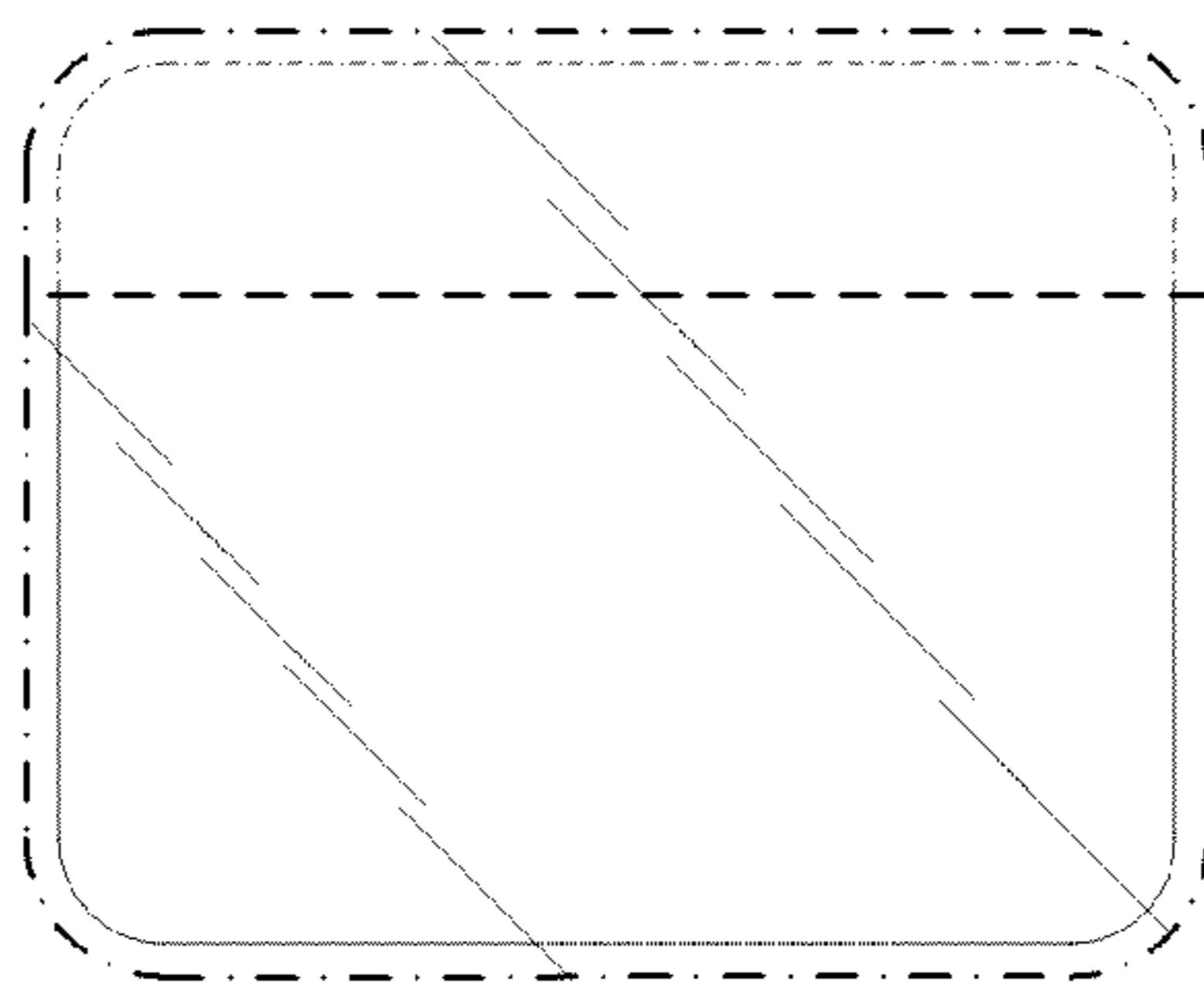


FIG. 4

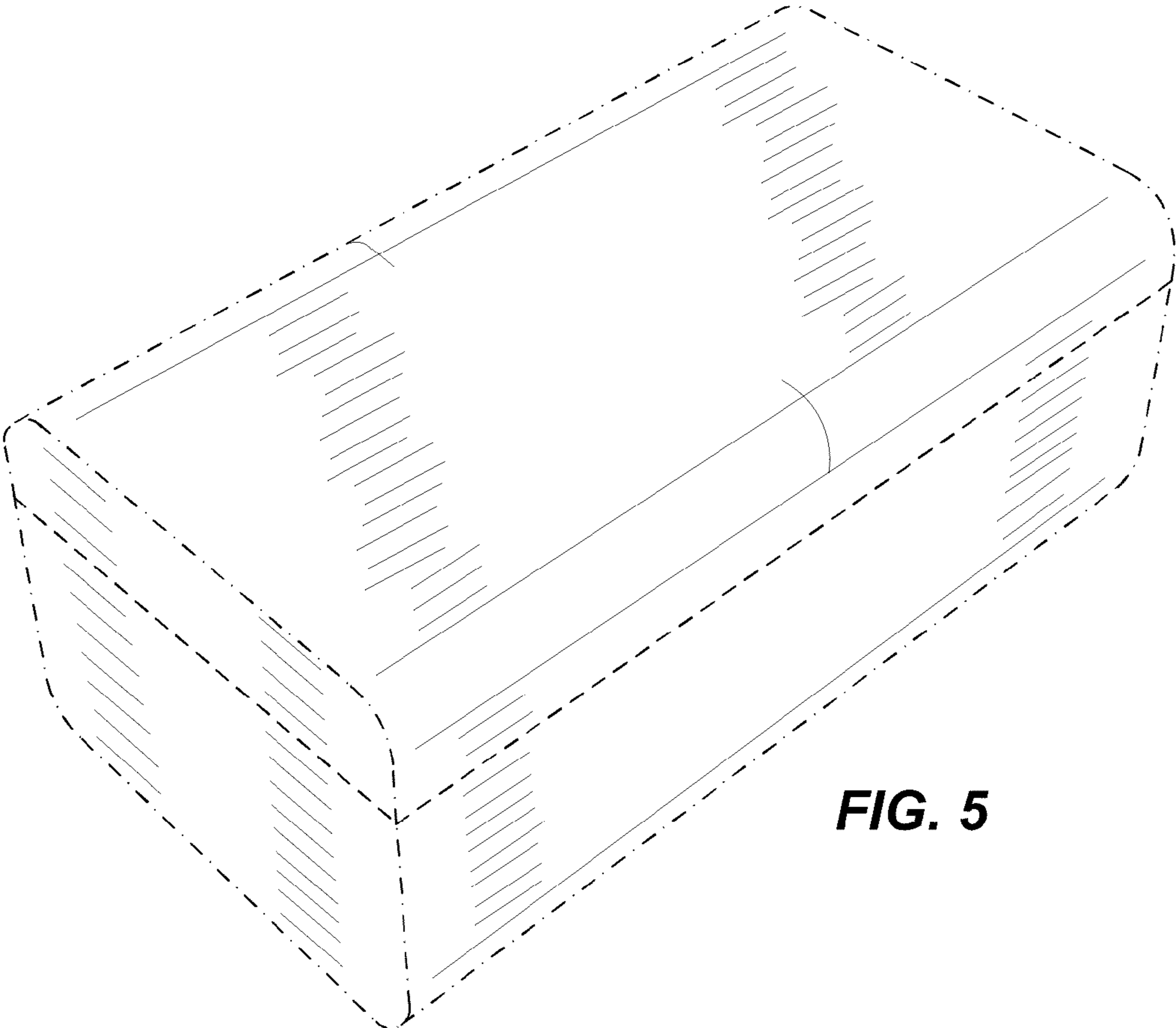


FIG. 5

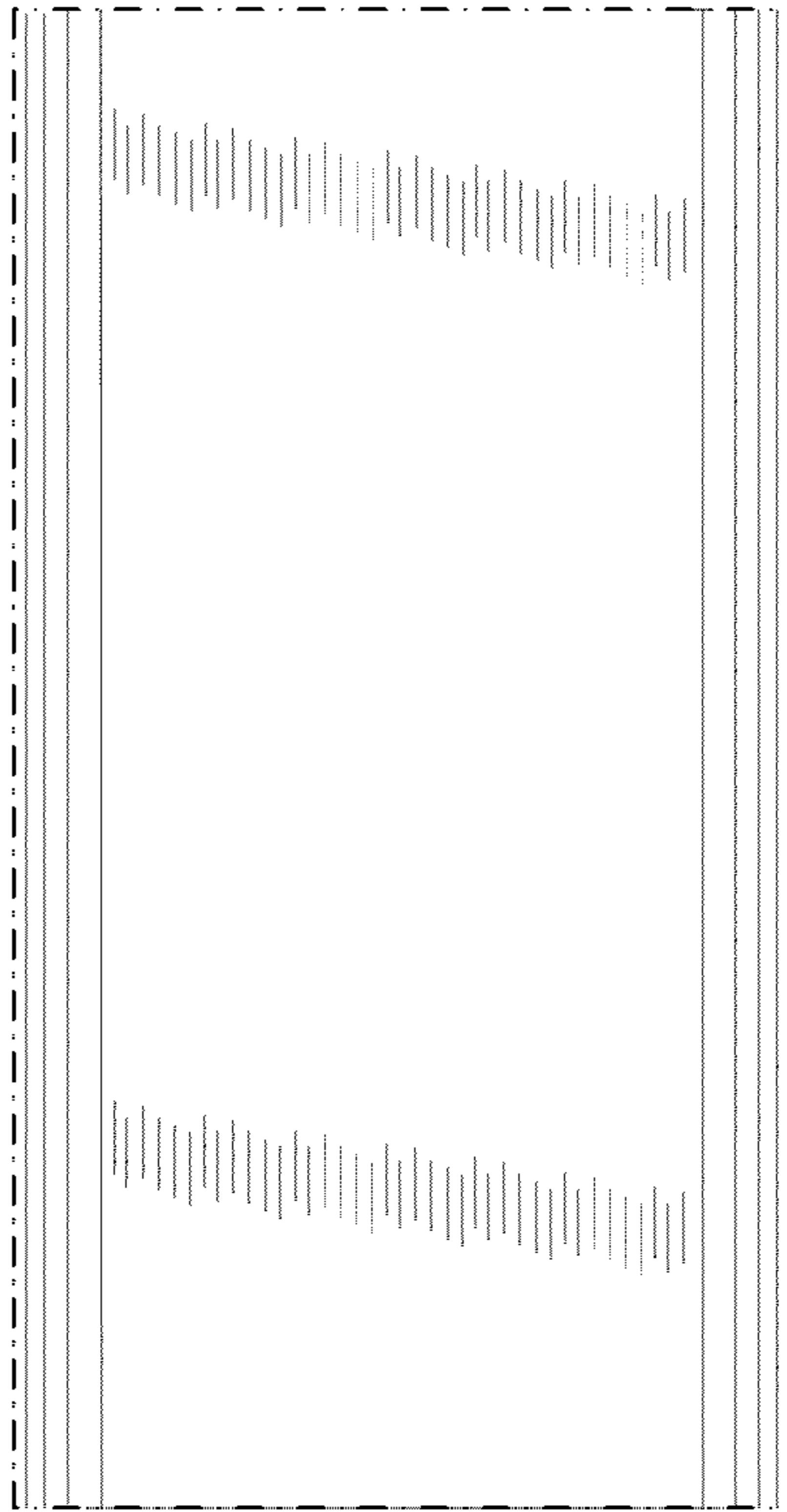


FIG. 6

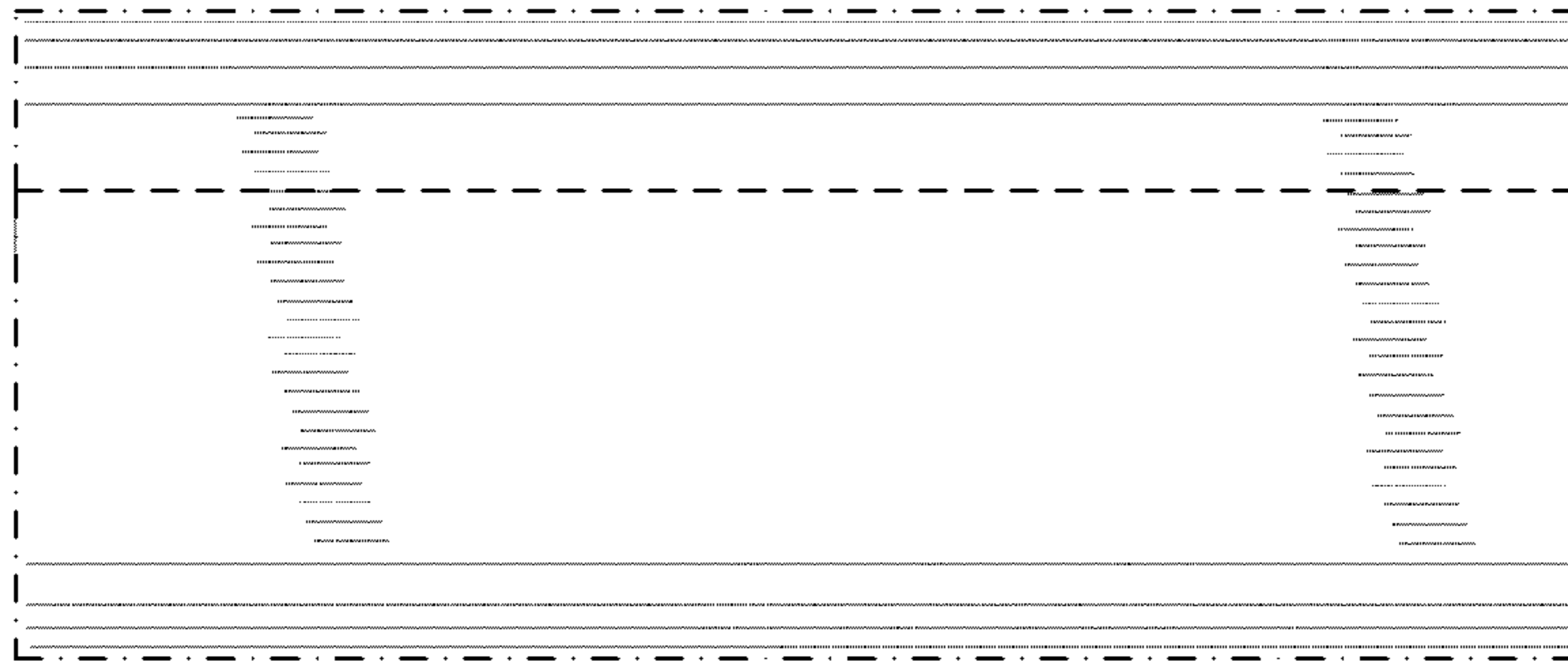


FIG. 7

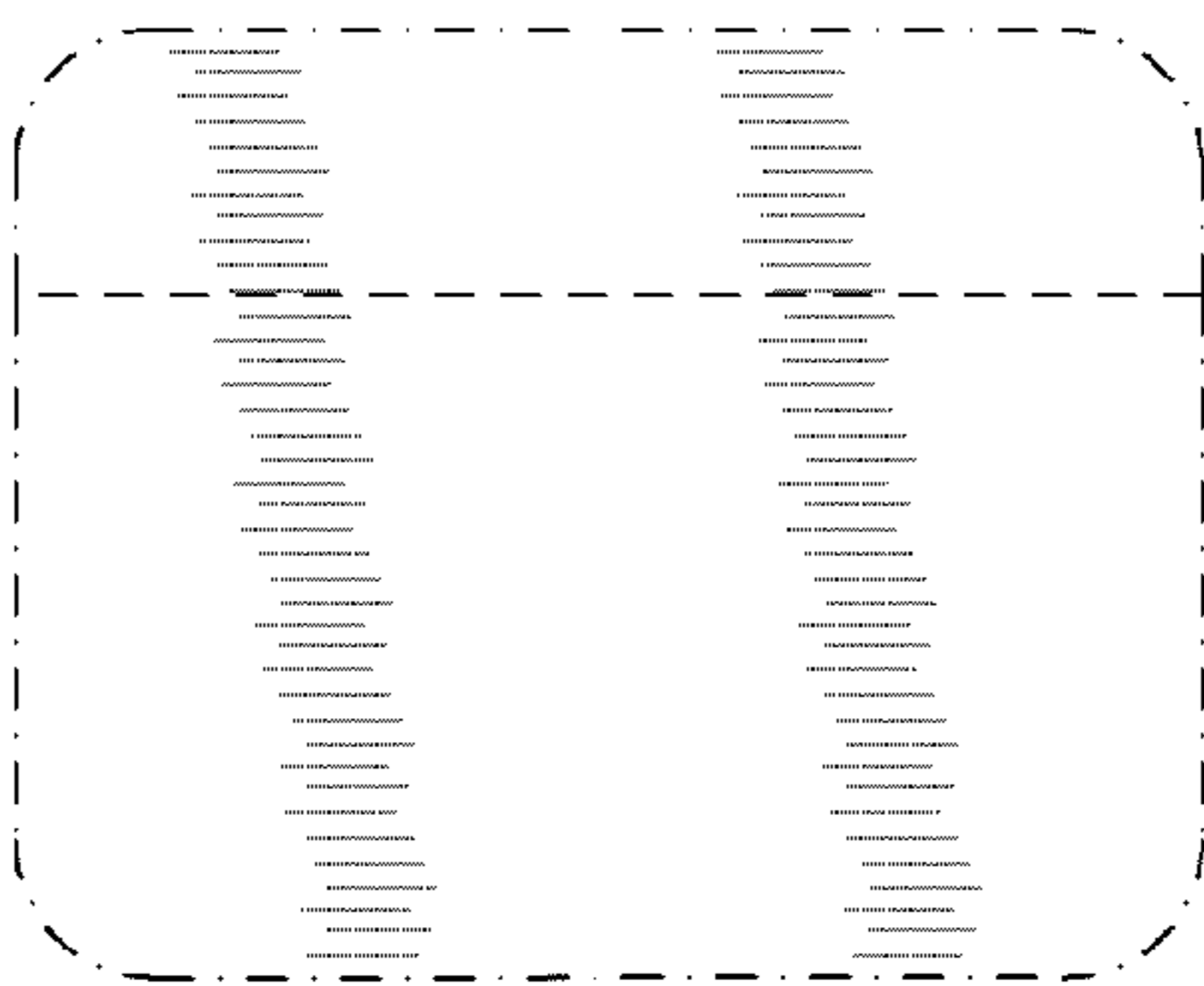


FIG. 8

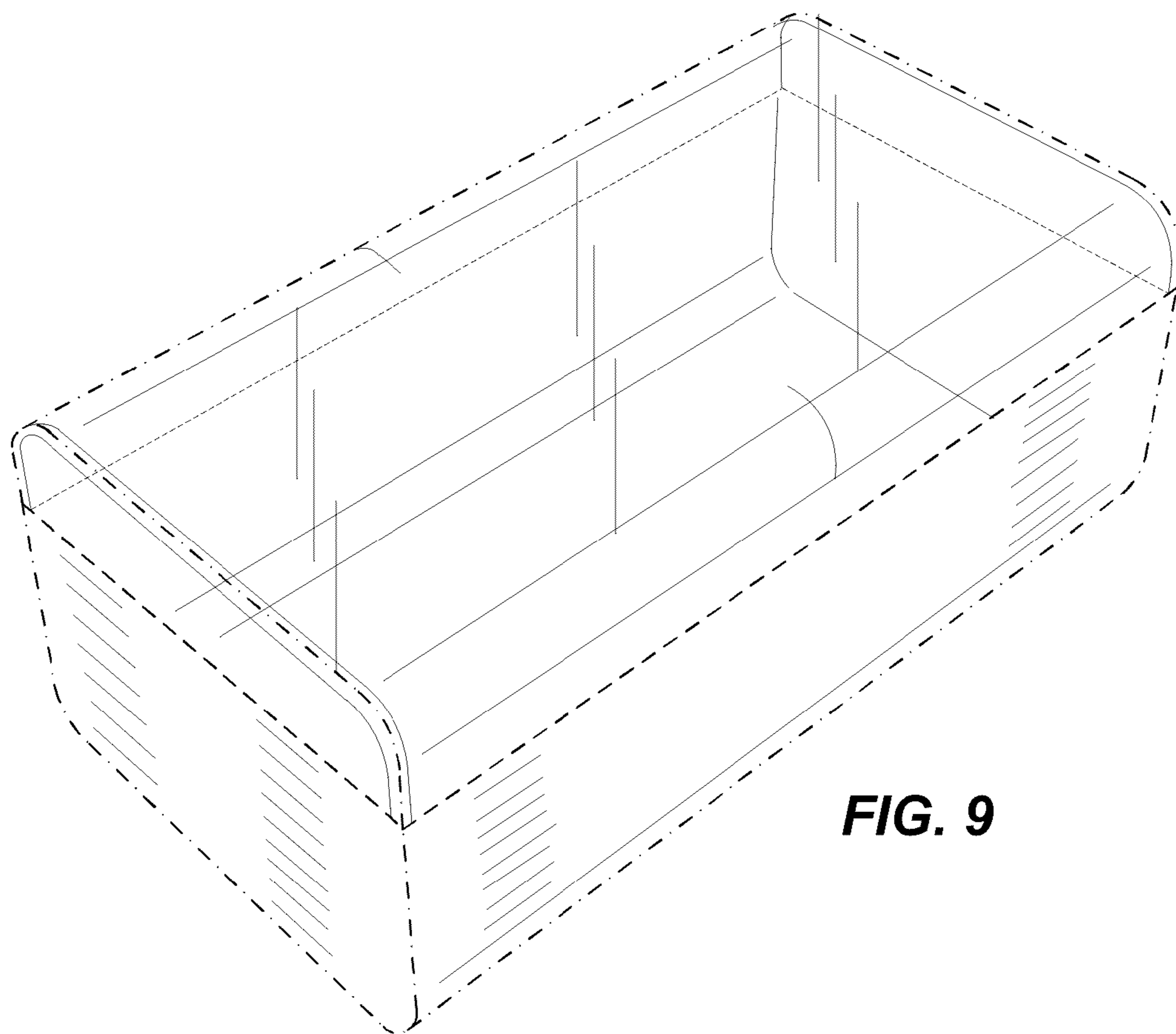


FIG. 9

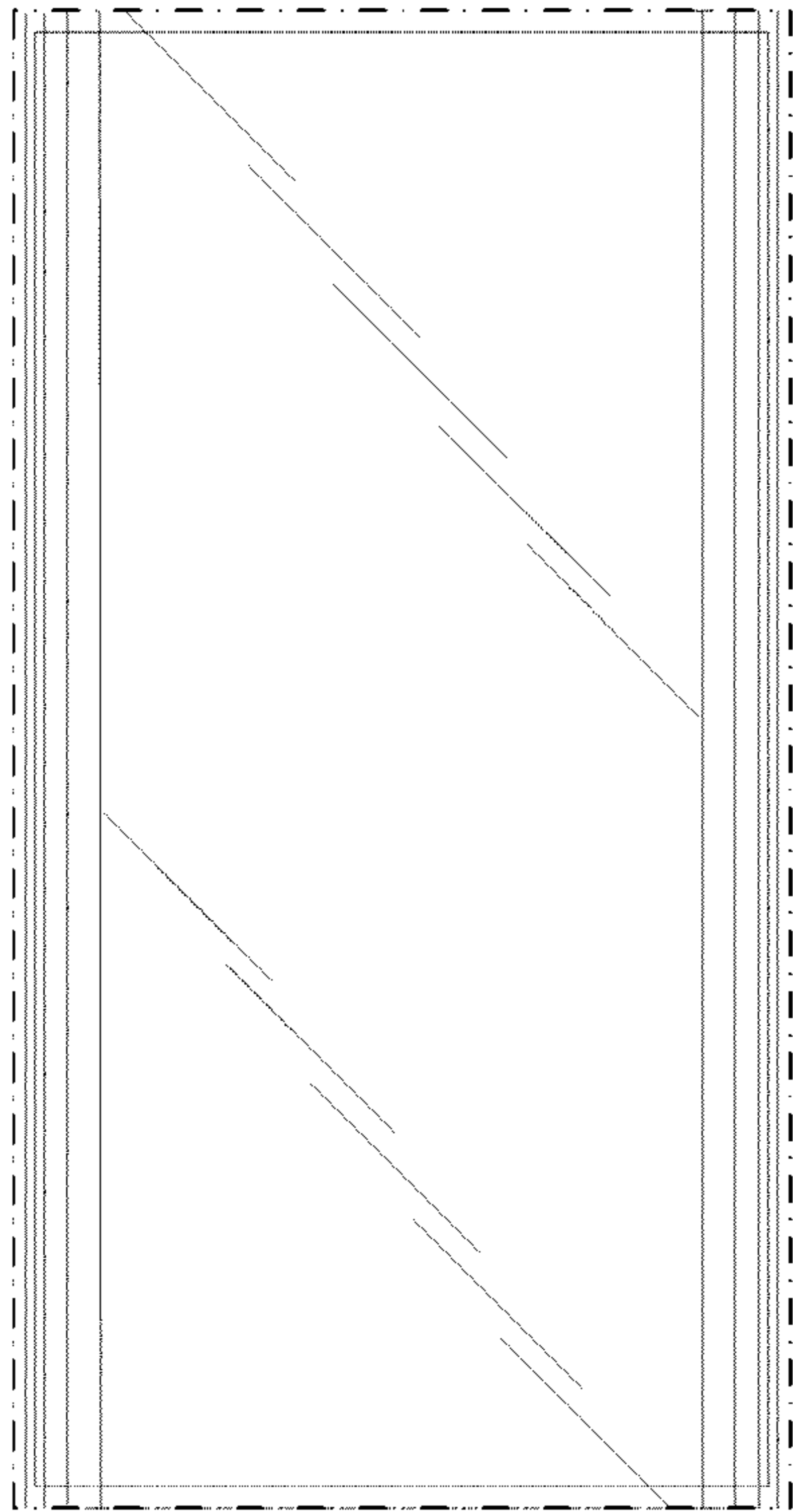


FIG. 10

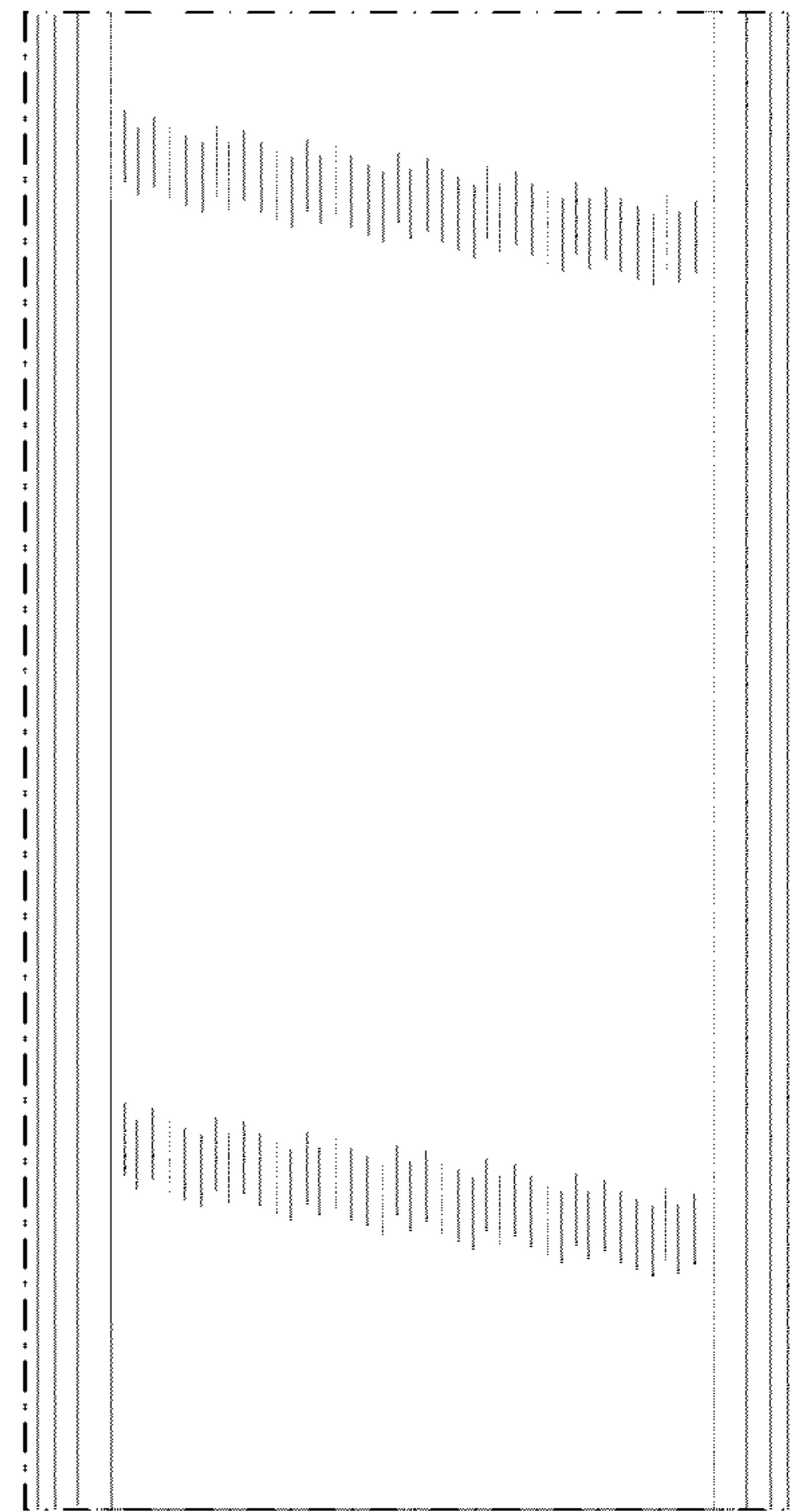


FIG. 11

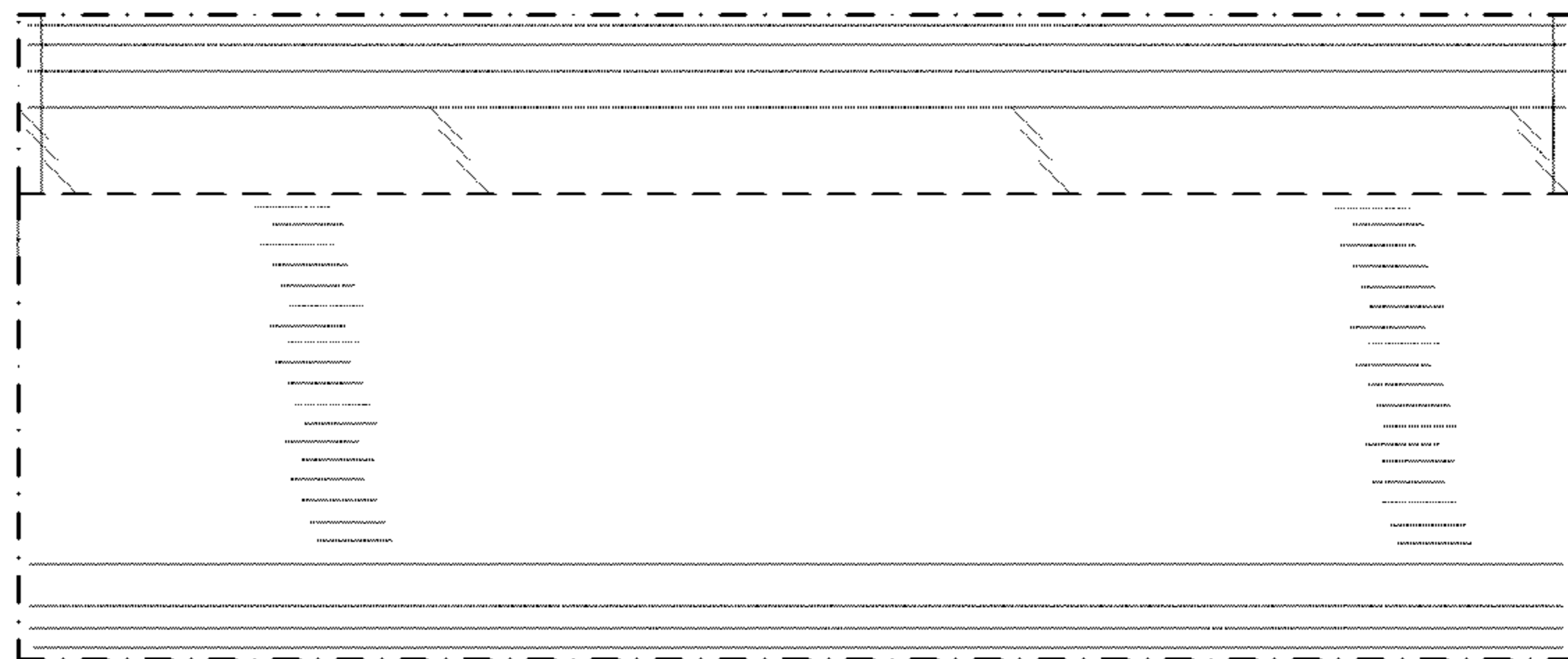


FIG. 12

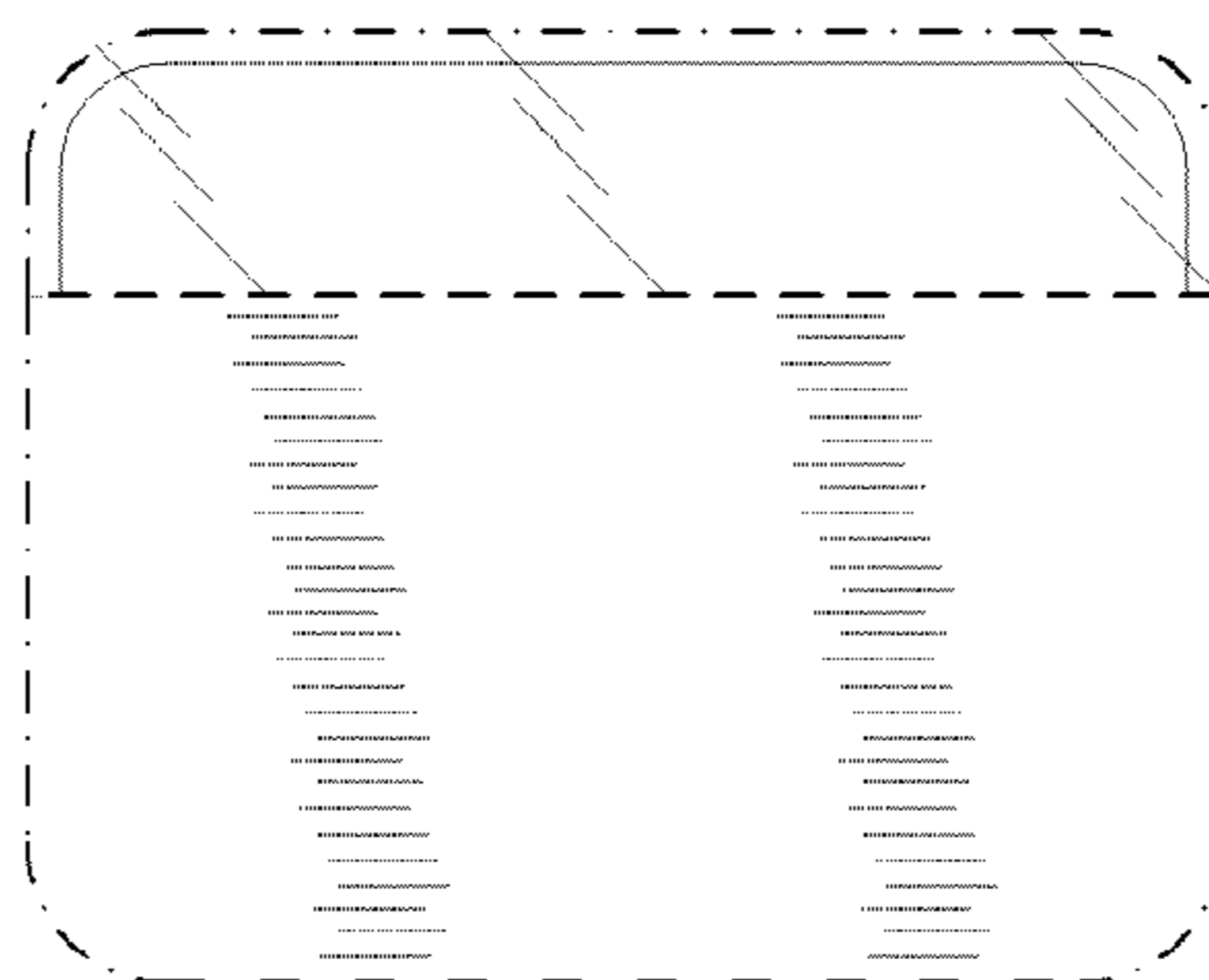


FIG. 13