



US00D582266S

(12) **United States Design Patent**  
**Helms, Jr. et al.**

(10) **Patent No.:** **US D582,266 S**  
(45) **Date of Patent:** **\*\* Dec. 9, 2008**

(54) **PACKAGE**

FOREIGN PATENT DOCUMENTS

(75) Inventors: **Charles F. Helms, Jr.**, Florence, SC  
(US); **Clyde B. Gore**, Hartsville, SC  
(US); **Victor Allen Sisk**, Statesville, NC  
(US); **Dale Rodney Potts**, Statesville,  
NC (US)

GB 2 091 290 7/1982

(Continued)

(73) Assignee: **Sonoco Development, Inc.**, Hartsville,  
SC (US)

*Primary Examiner*—T. Chase Nelson  
*Assistant Examiner*—Karen Acker

(\*\*) Term: **14 Years**

(74) *Attorney, Agent, or Firm*—Alston & Bird LLP

(21) Appl. No.: **29/277,942**

(57) **CLAIM**

(22) Filed: **Mar. 14, 2007**

The ornamental design for a package, as shown and described.

(51) **LOC (8) Cl.** ..... **09-03**

(52) **U.S. Cl.** ..... **D9/430**

(58) **Field of Classification Search** ..... D9/430-433,  
D9/414-418, 420-429, 560, 737, 756; D3/273,  
D3/302; 206/421, 454, 457, 775-778, 784,  
206/822; 220/500, 523-529, 552, 555; 229/100,  
229/103.3, 104-106, 108, 108.1, 109, 110,  
229/112-116, 116.1, 116.2, 117.15, 120,  
229/125.015, 132, 138, 155, 162.1, 162.6,  
229/162.7, 182.1, 213, 214, 247, 406, 407,  
229/902, 911, 922, 930, 942

See application file for complete search history.

**DESCRIPTION**

FIG. 1 is a top perspective view of a package according to the present invention;

FIG. 2 is a bottom perspective view thereof;

FIG. 3 is a top plan view thereof;

FIG. 4 is a bottom plan view thereof;

FIG. 5 is a front elevational view thereof, a rear, right side, and left side elevation views are the same;

FIG. 6 is a front and right side angled elevational view thereof, a front and left side angle, a rear and right side angled, and a rear and left side angled elevational views are the same;

FIG. 7 is a top perspective view thereof illustrating an environmental structure associated with the present invention; and,

FIG. 8 is a bottom perspective view thereof illustrating an environmental structure associated with the present invention.

The broken lines represent portions of the design that form no part of the claimed design. The broken lines in FIGS. 7 and 8 show a structure included to illustrate the design in an environment of use and forms no part of the claimed design.

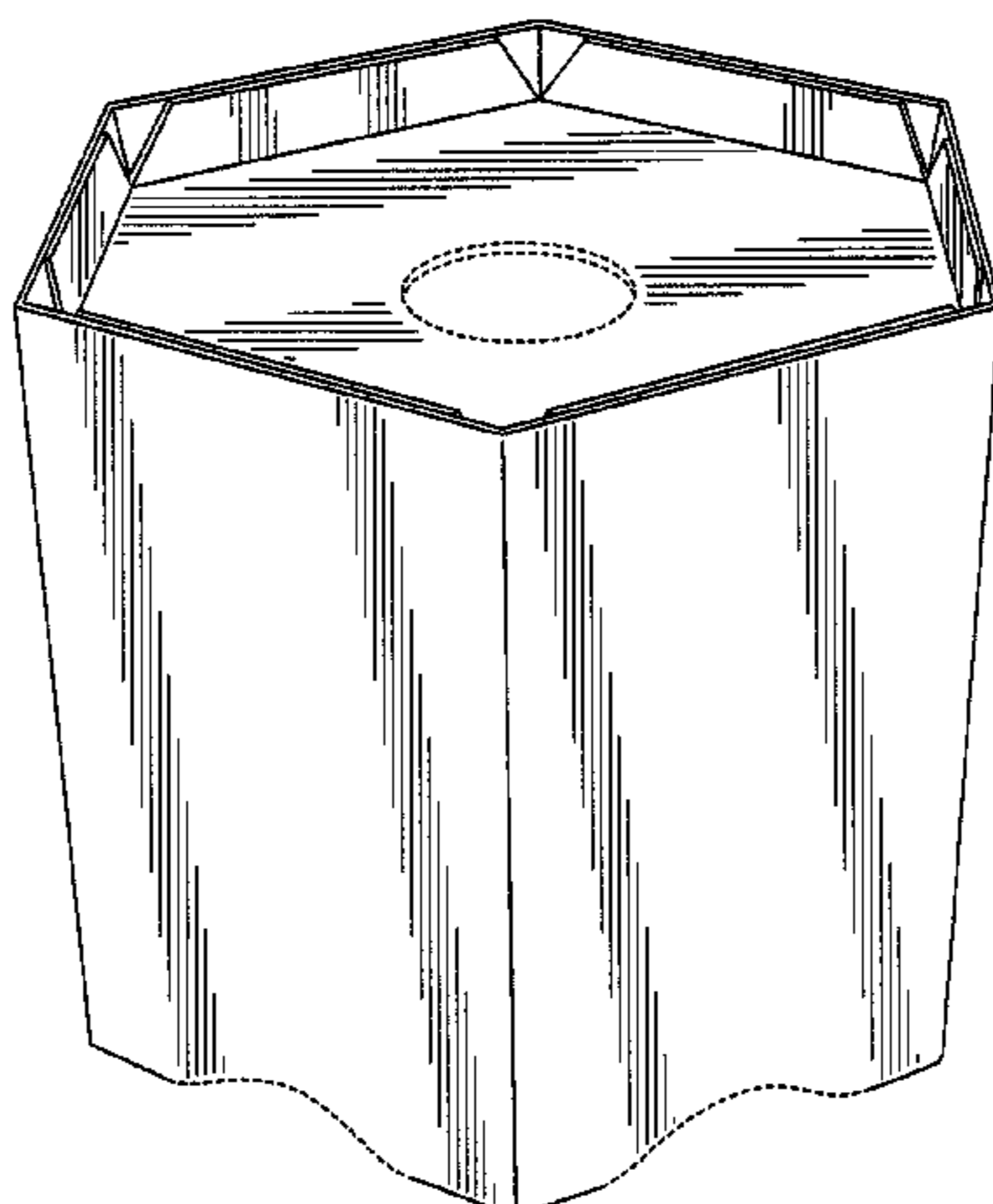
(56) **References Cited**

U.S. PATENT DOCUMENTS

677,017	A *	6/1901	Carrington	229/104
797,175	A *	8/1905	Collenburg	47/72
904,050	A *	11/1908	Crawford	229/104
1,009,463	A *	11/1911	Bloomer	229/104
1,162,389	A *	11/1915	Odell	229/108.1
1,300,164	A *	4/1919	Guardino	229/104
1,343,726	A *	6/1920	Jakobson	229/104
1,497,661	A *	6/1924	Scotcher	229/110
D86,084	S *	1/1932	Green	D9/430
1,911,073	A *	5/1933	Dyment	229/109
1,951,642	A *	3/1934	Augustin et al.	47/72
1,959,473	A *	5/1934	Heron	
2,017,405	A *	10/1935	Pantalone	206/395

(Continued)

**1 Claim, 8 Drawing Sheets**



# US D582,266 S

Page 2

## U.S. PATENT DOCUMENTS

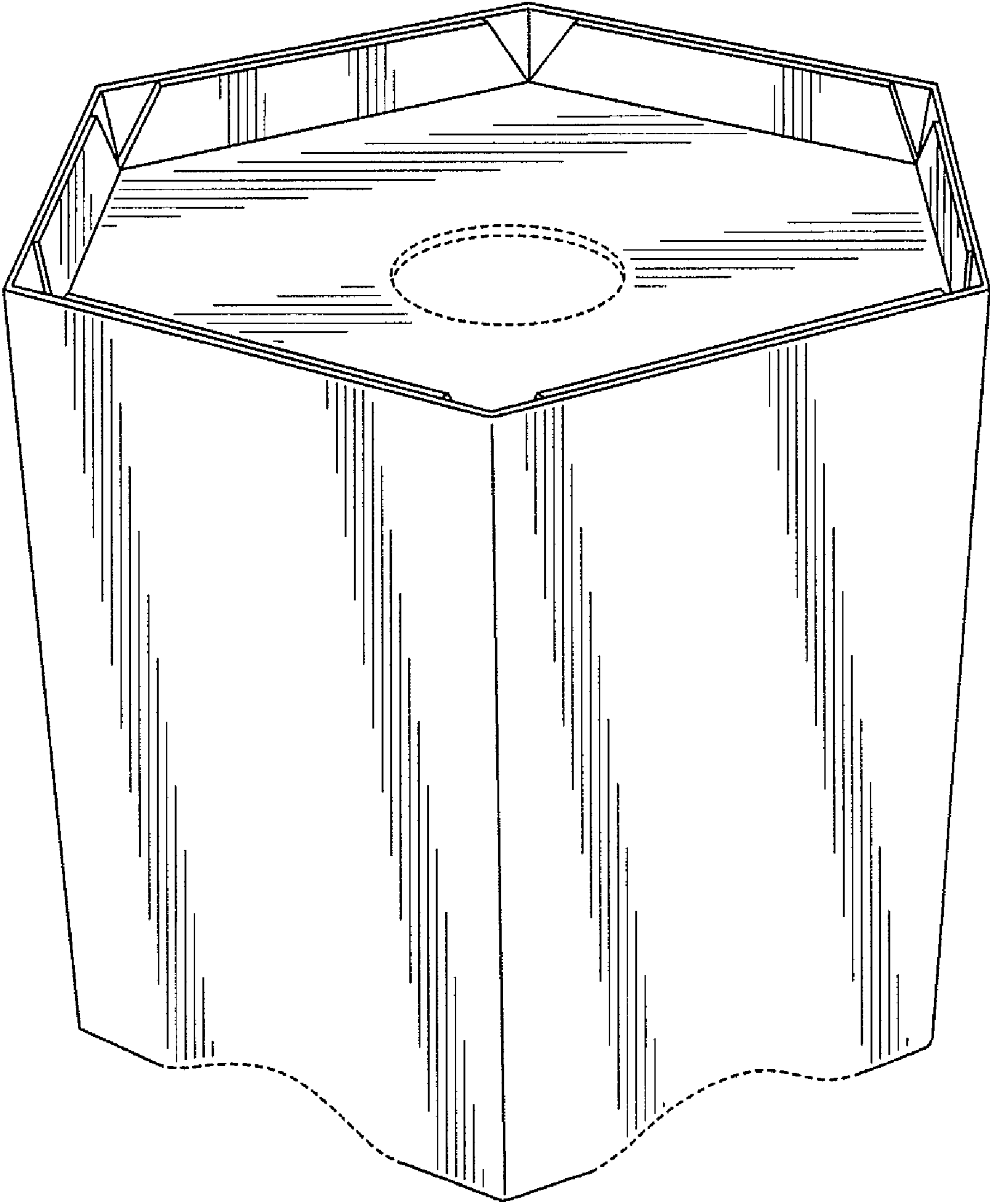
2,067,126 A \* 1/1937 Knaur ..... 206/418  
2,472,079 A \* 6/1949 James et al. .... 206/8  
2,726,803 A \* 12/1955 Ketler ..... 229/5.5  
2,834,661 A 5/1958 Chaplin  
3,031,277 A 4/1962 Strauss  
3,034,873 A 5/1962 Weir  
3,056,665 A 10/1962 Linda et al.  
3,124,432 A 3/1964 Gentry  
3,174,675 A \* 3/1965 Rosenburg, Jr. .... 229/108.1  
3,269,807 A 8/1966 Key, Jr.  
3,274,047 A \* 9/1966 Sloan ..... 428/166  
3,333,685 A \* 8/1967 Pezdek ..... 206/728  
3,549,081 A \* 12/1970 Nelson ..... 229/117  
4,199,098 A \* 4/1980 Lopez ..... 229/108.1  
4,205,775 A \* 6/1980 Swan ..... 229/104  
4,264,031 A \* 4/1981 Goebel ..... 229/110  
4,418,862 A \* 12/1983 Vesborg ..... 229/110  
4,460,377 A 7/1984 Kalil  
4,641,777 A \* 2/1987 Fronduti ..... 229/110  
D294,125 S \* 2/1988 Hesser et al. .... D9/420  
4,768,701 A \* 9/1988 Gabbard ..... 229/116.5  
4,786,290 A 11/1988 Wyer  
4,832,703 A 5/1989 Campana et al.

4,906,254 A 3/1990 Antosko  
4,953,533 A 9/1990 Witt  
5,186,721 A 2/1993 Campana  
5,374,289 A 12/1994 Campana  
5,531,375 A \* 7/1996 Palm ..... 229/137  
D411,079 S \* 6/1999 Graham ..... D7/624.2  
D433,329 S \* 11/2000 Hampshire ..... D9/430  
6,328,028 B1 12/2001 Cayse et al.  
6,412,686 B1 \* 7/2002 Mahl et al. .... 229/108  
6,464,078 B1 \* 10/2002 Grossnickle ..... 206/459.5  
D486,732 S \* 2/2004 Borkoski ..... D9/430  
6,790,244 B2 9/2004 Saunders et al.  
D524,155 S \* 7/2006 Coppola et al. .... D9/430  
2003/0079400 A1 5/2003 Weissman et al.  
2005/0067476 A1 \* 3/2005 Hengami ..... 229/129.1  
2006/0261060 A1 \* 11/2006 Baez ..... 220/4.21

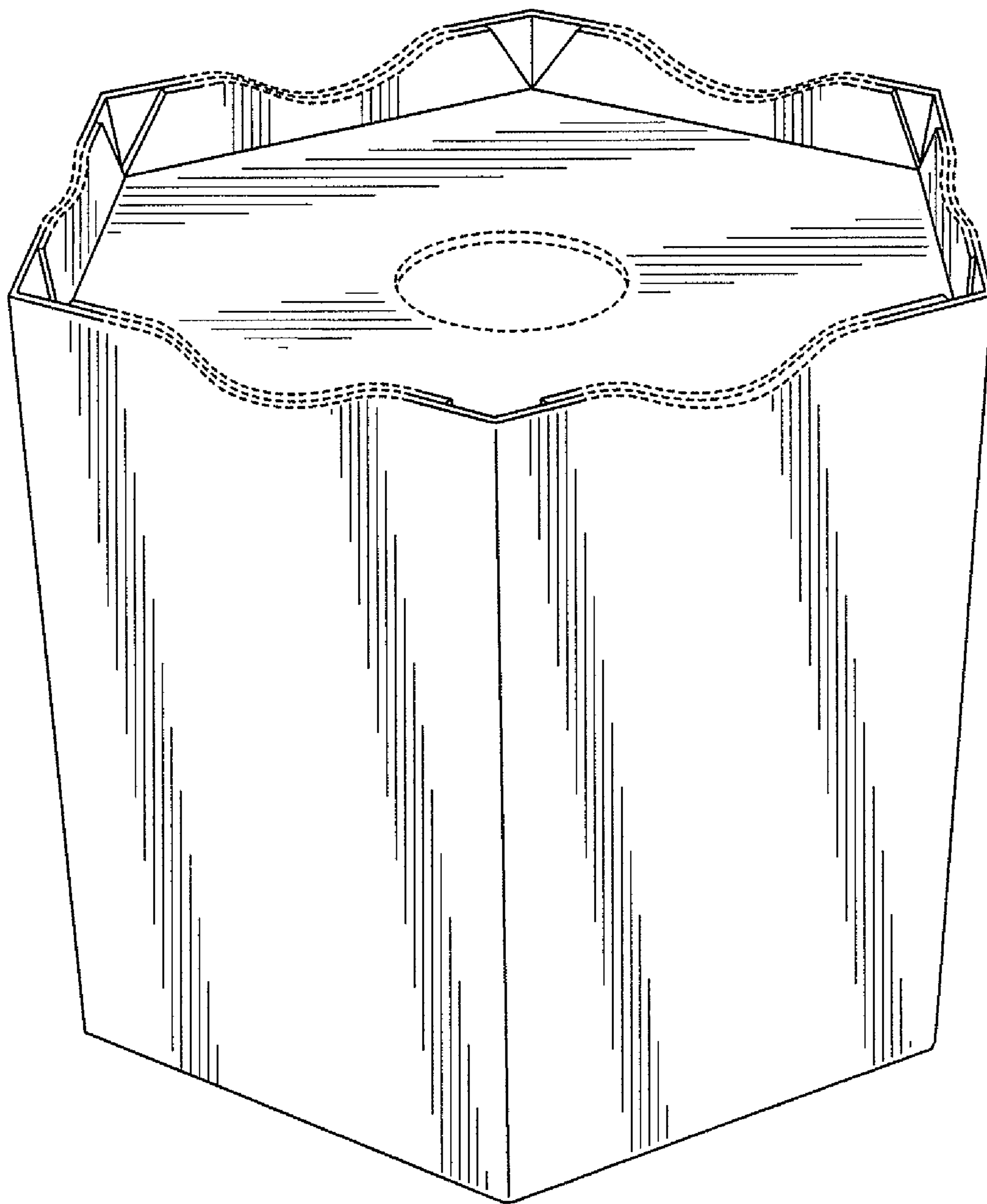
## FOREIGN PATENT DOCUMENTS

GB 2 150 594 7/1985  
GB 2 223 569 4/1990  
WO WO 03/080770 10/2003  
WO WO 2005/073350 8/2005

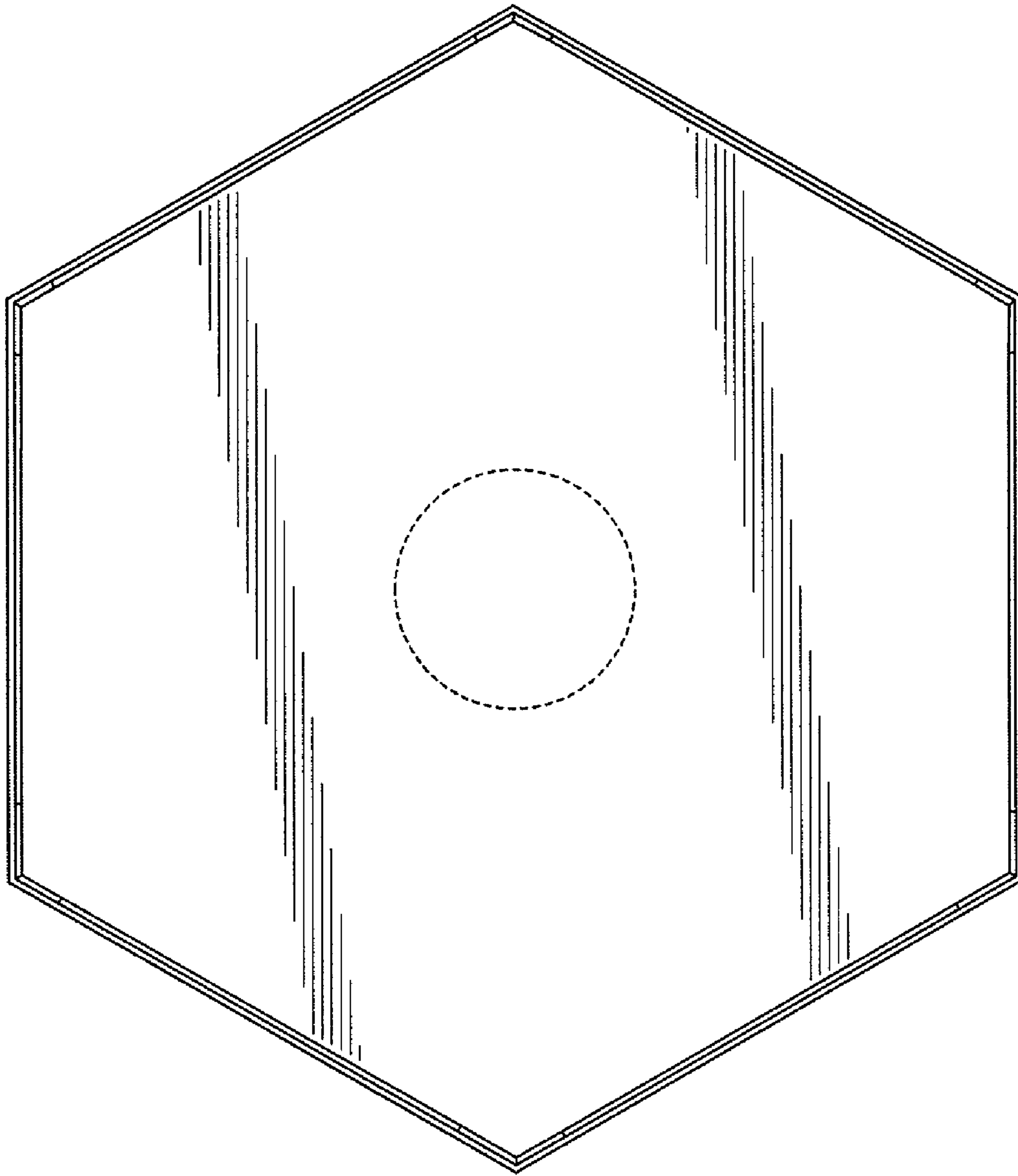
\* cited by examiner



**FIG. 1**

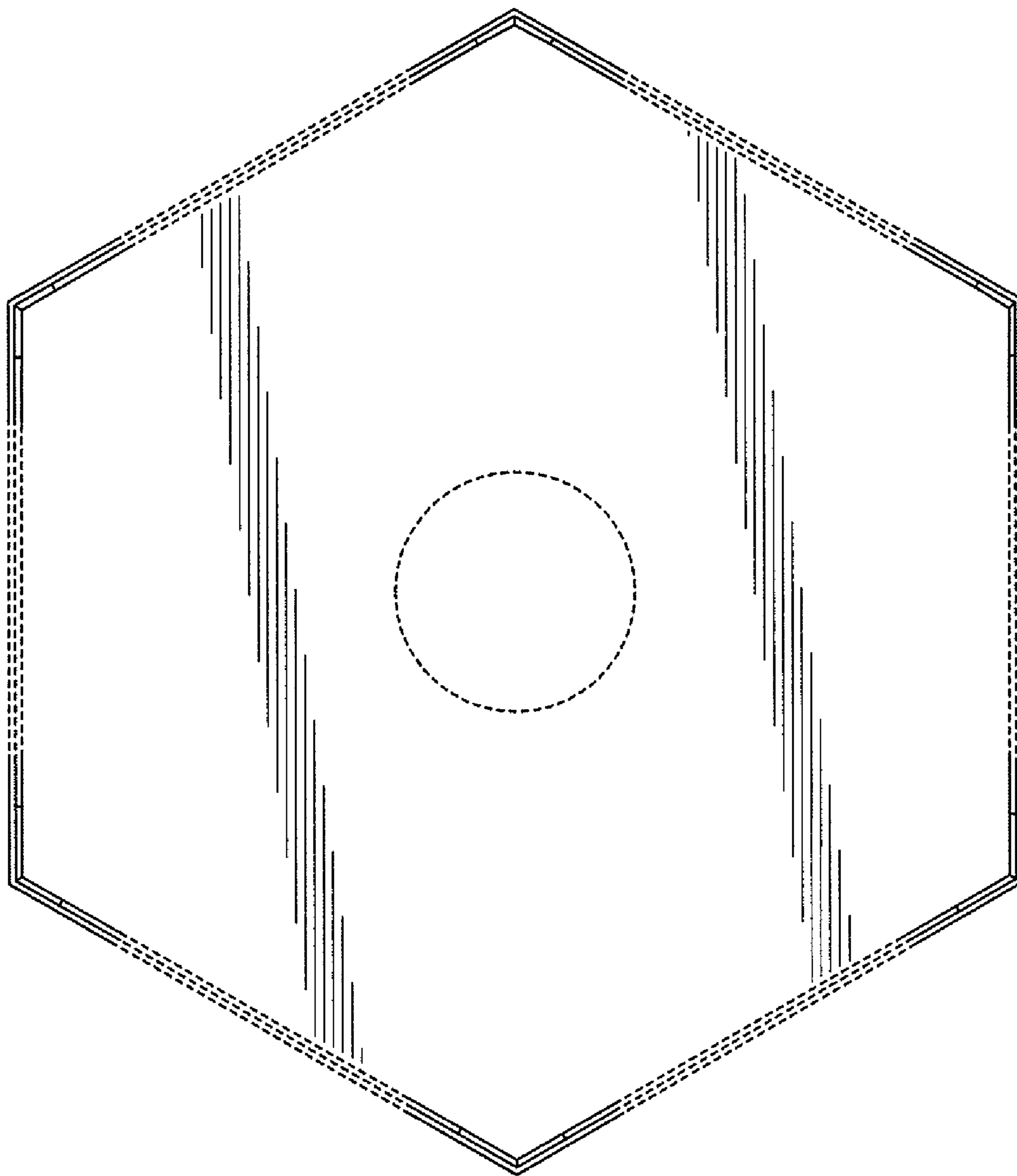


**FIG. 2**

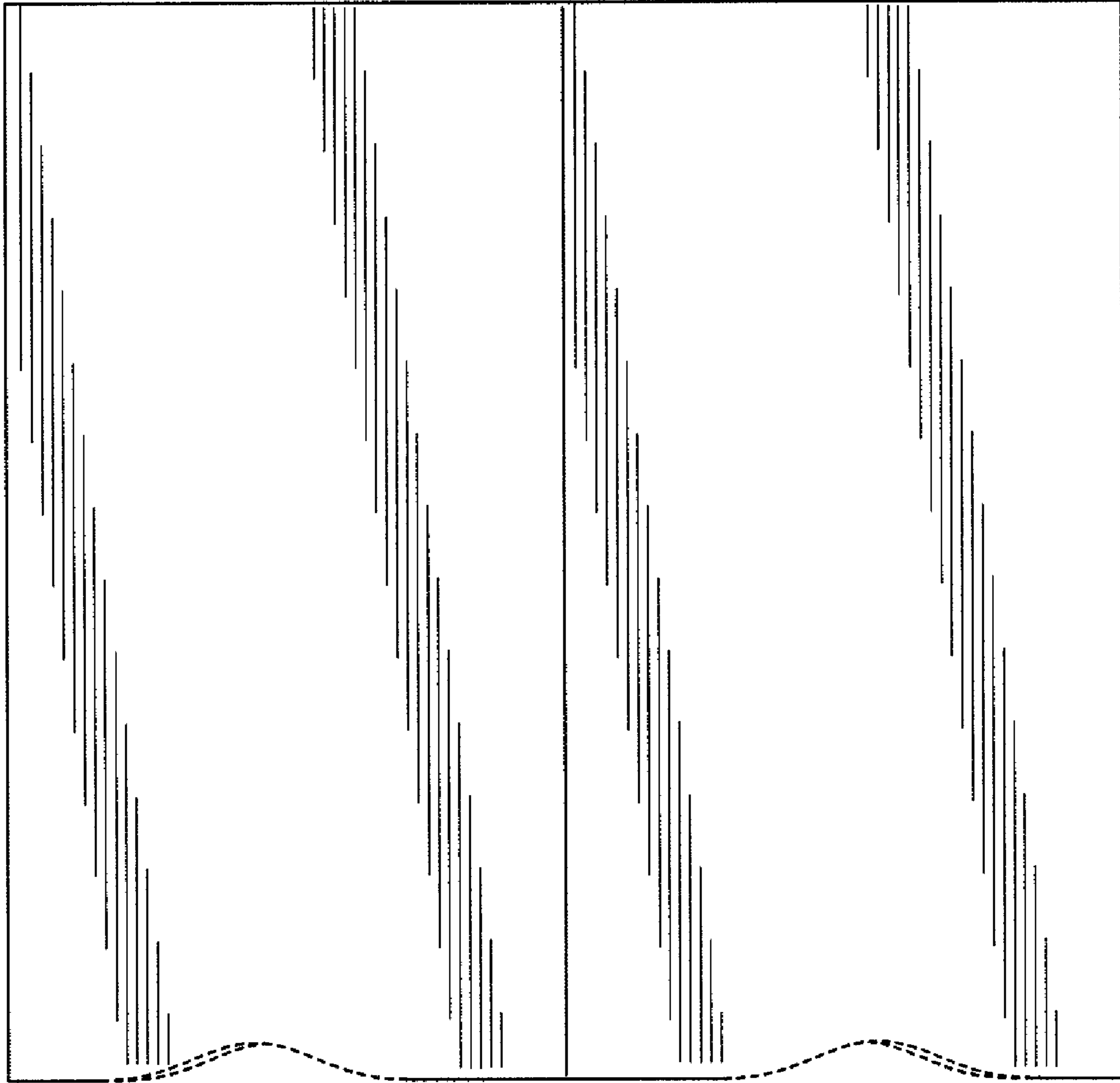


**FIG. 3**

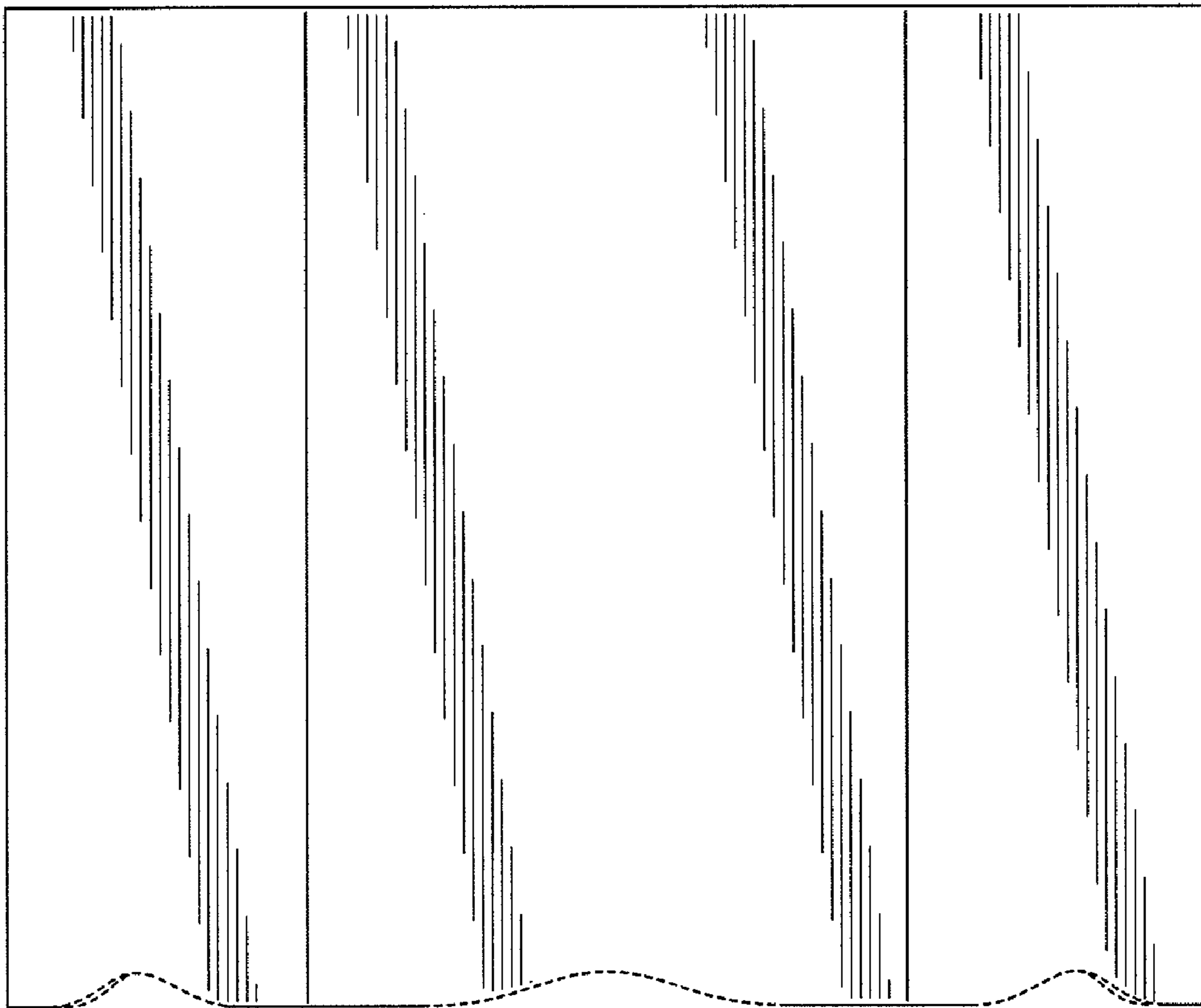




**FIG. 4**

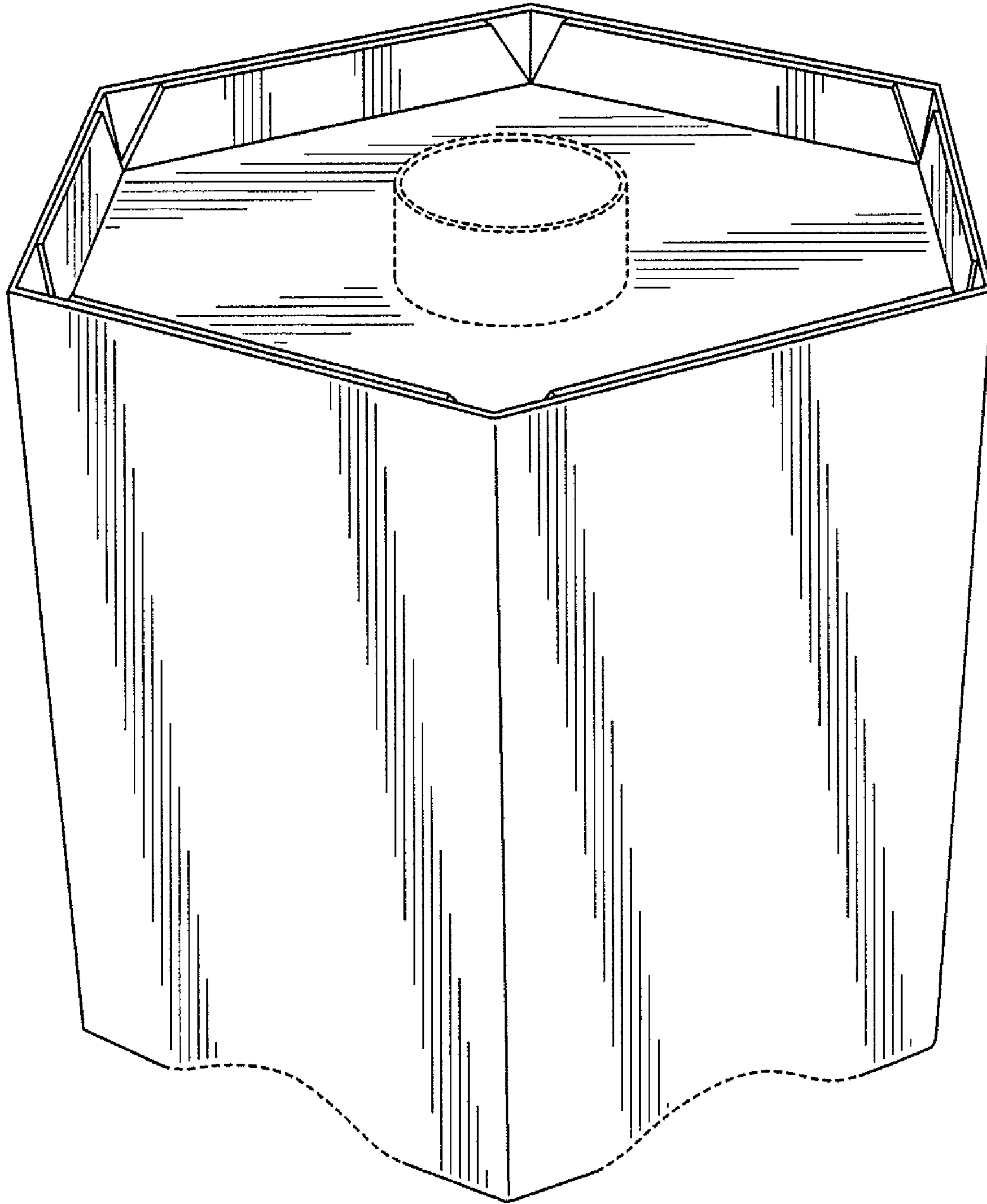


**FIG. 5**

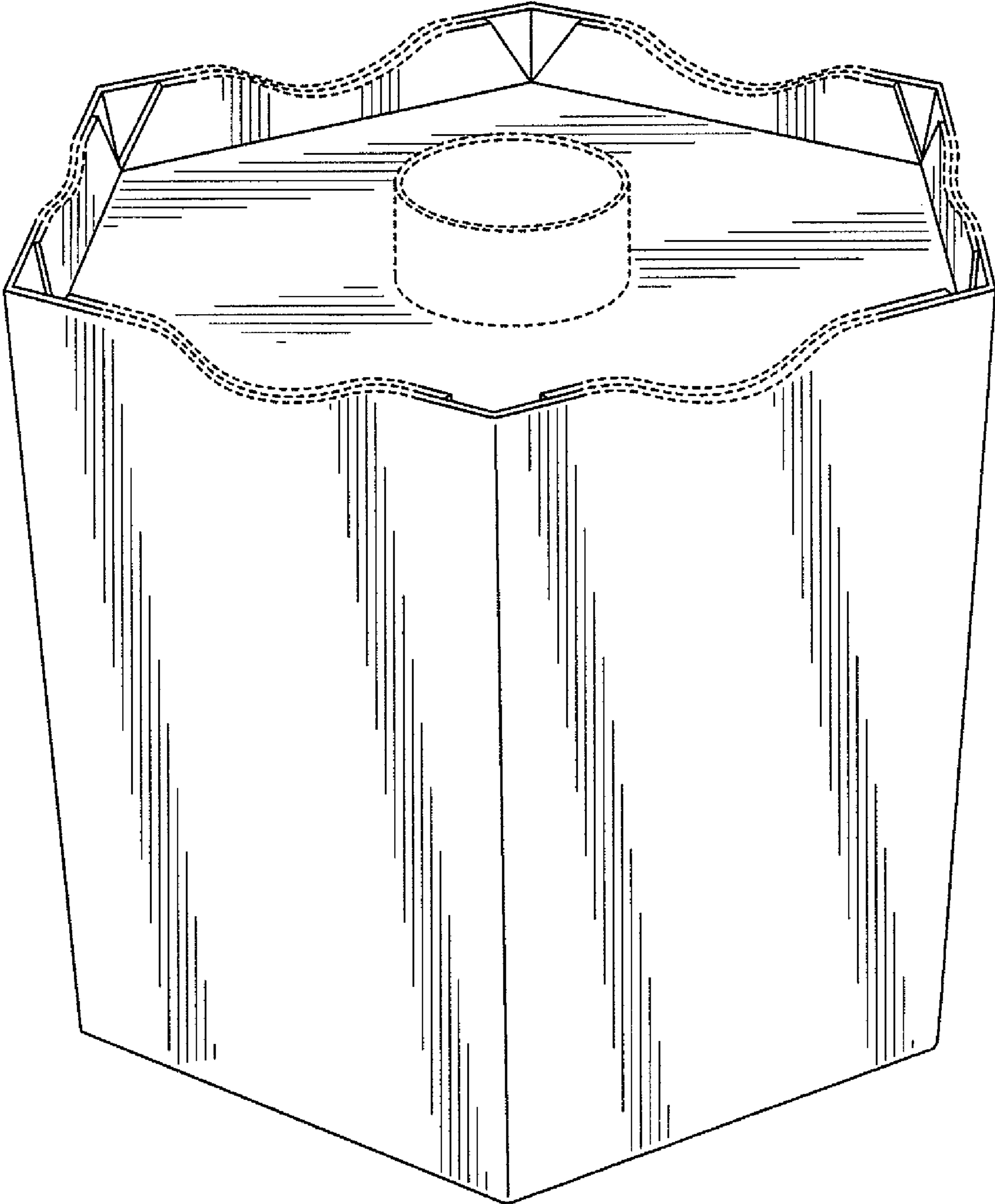


**FIG. 6**





**FIG. 7**



**FIG. 8**