



US00D582262S

(12) **United States Design Patent**  
**Kudo**

(10) **Patent No.:** **US D582,262 S**  
(45) **Date of Patent:** **\*\* Dec. 9, 2008**

(54) **FASTENER FOR VEHICLE**  
(75) Inventor: **Michiyo Kudo**, Aichi-ken (JP)  
(73) Assignee: **Newfrey LLC**, Newark, DE (US)

6,971,830 B2 \* 12/2005 Hulin et al. .... 411/175  
6,974,289 B2 \* 12/2005 Levey et al. .... 411/310  
7,182,563 B2 \* 2/2007 Wimmer et al. .... 411/174  
D566,535 S \* 4/2008 Asano et al. .... D8/382

(\*\*) Term: **14 Years**

FOREIGN PATENT DOCUMENTS  
JP 2003-222112 8/2003

(21) Appl. No.: **29/303,277**

\* cited by examiner

(22) Filed: **Feb. 5, 2008**

*Primary Examiner*—Holly H Baynham  
*Assistant Examiner*—Sheryl Lane

(30) **Foreign Application Priority Data**

(74) *Attorney, Agent, or Firm*—Stephen R. Valancius

Aug. 27, 2007 (JP) ..... 2007-023132

(57) **CLAIM**

(51) **LOC (8) Cl.** ..... **08-08**

The ornamental design for a fastener for vehicle, as shown and described.

(52) **U.S. Cl.** ..... **D8/382**

(58) **Field of Classification Search** ..... D8/382;  
411/174, 182, 22, 55; 24/297

See application file for complete search history.

**DESCRIPTION**

FIG. 1 is a perspective view of a fastener for a vehicle according to an embodiment of a present design article with the view being taken from the right top side looking downwardly.

(56) **References Cited**

U.S. PATENT DOCUMENTS

4,677,714 A \* 7/1987 Wright ..... 411/554  
D291,532 S \* 8/1987 Hill ..... D8/395  
4,897,005 A \* 1/1990 Peterson et al. .... 411/175  
5,423,646 A \* 6/1995 Gagnon ..... 411/184  
5,713,707 A \* 2/1998 Gagnon ..... 411/175  
5,961,264 A \* 10/1999 Postadan ..... 411/174  
6,450,747 B1 \* 9/2002 Fischer ..... 411/174  
6,688,825 B1 \* 2/2004 Stewart et al. .... 411/174  
6,805,524 B2 10/2004 Kanie

FIG. 2 is a front view of the fastener of FIG. 1;

FIG. 3 is a rear view of the fastener of FIG. 1;

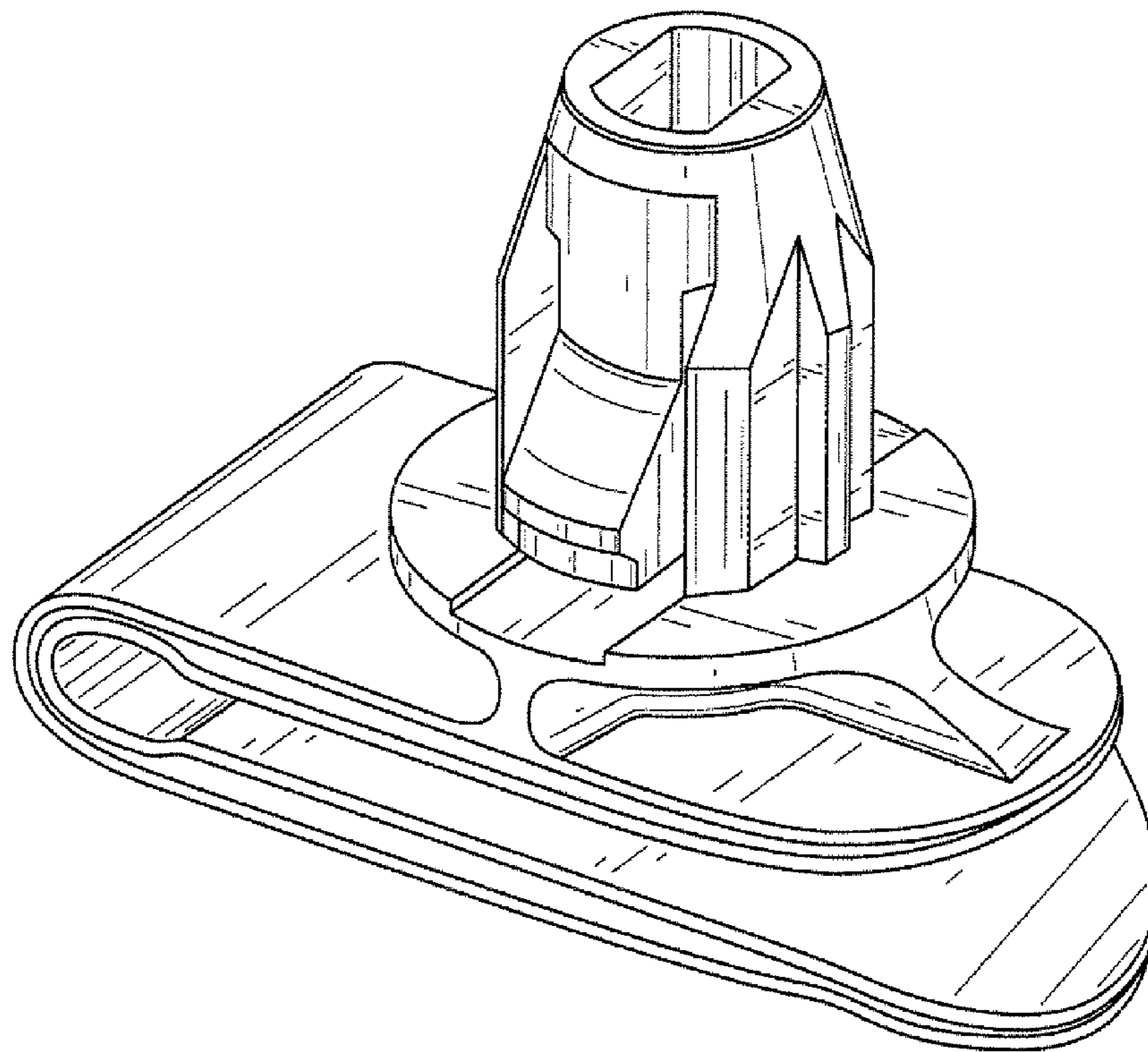
FIG. 4 is a right side view of the fastener of FIG. 1;

FIG. 5 is a left side view of the fastener of FIG. 1;

FIG. 6 is a top plan view of the fastener of FIG. 1; and,

FIG. 7 is a bottom plan view of the fastener of FIG. 1.

**1 Claim, 7 Drawing Sheets**



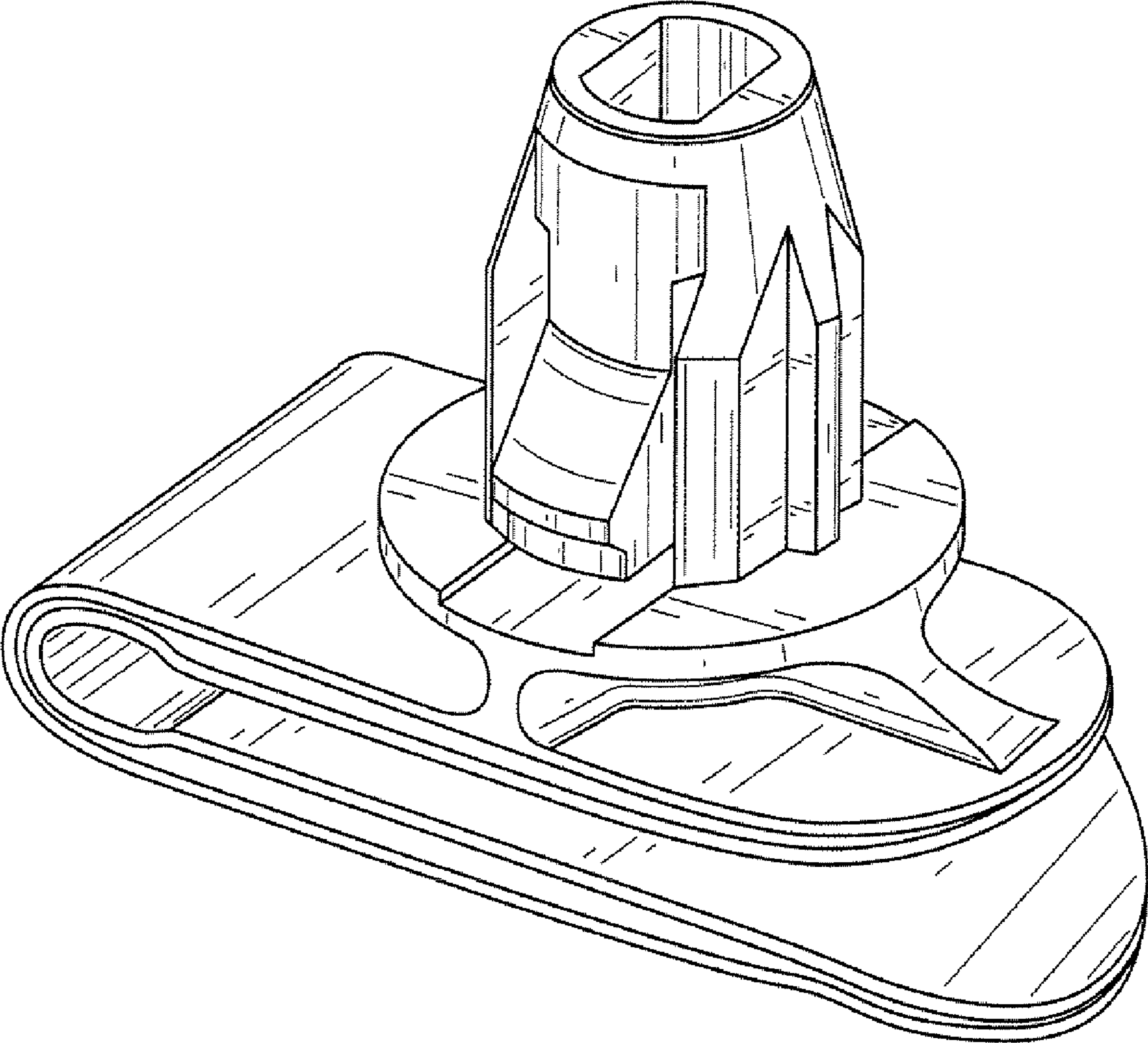


FIG. 1

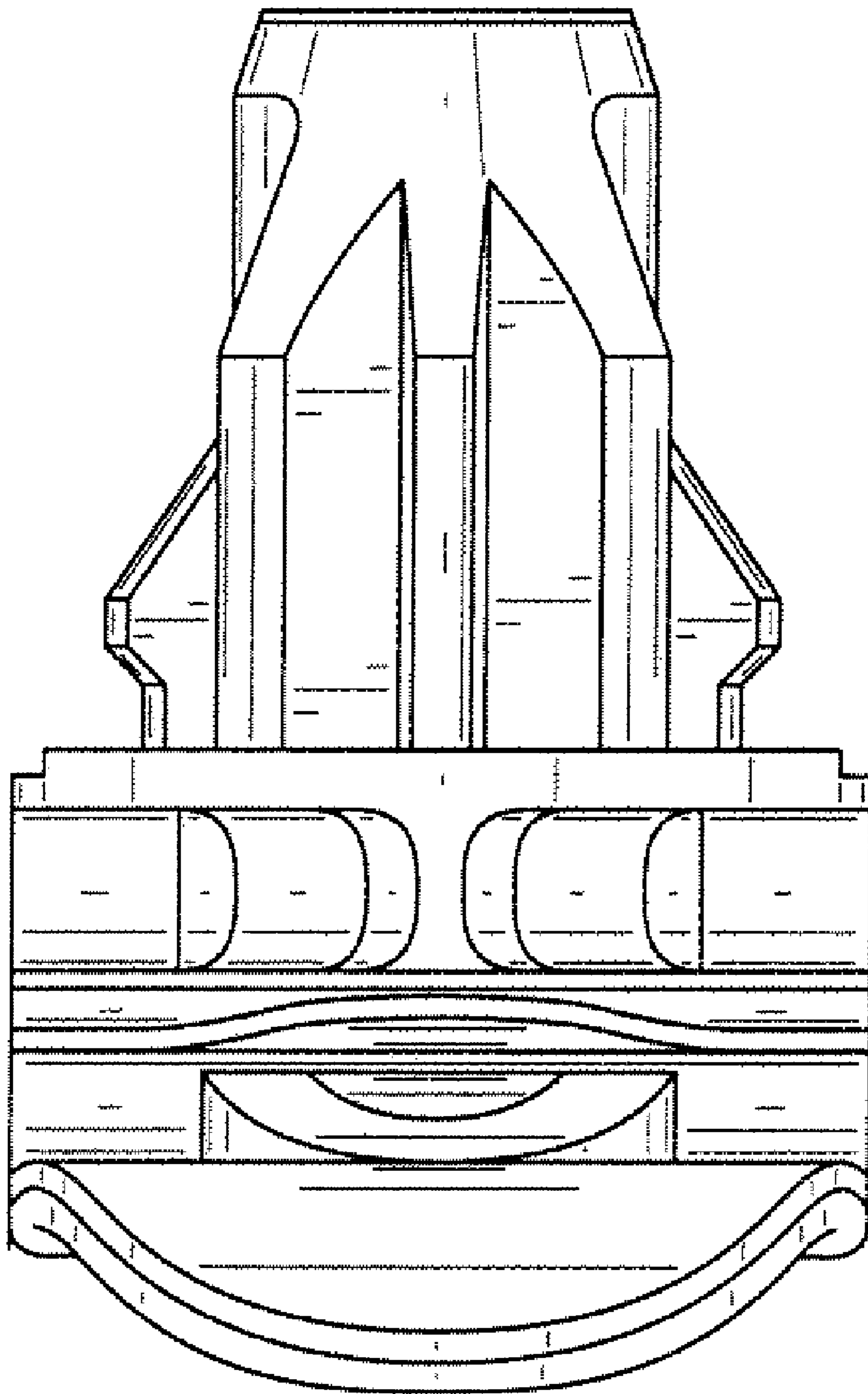


FIG. 2

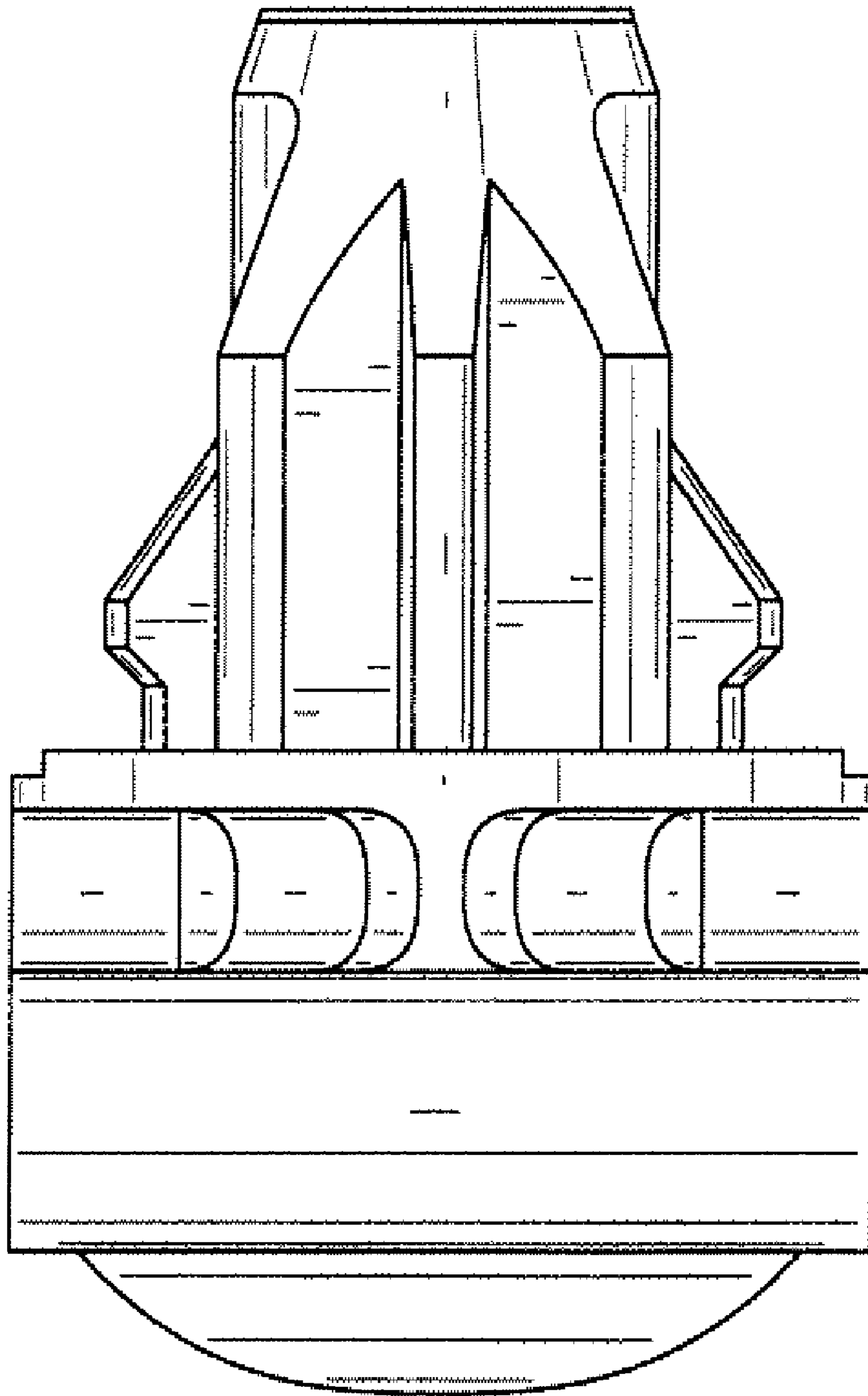


FIG. 3

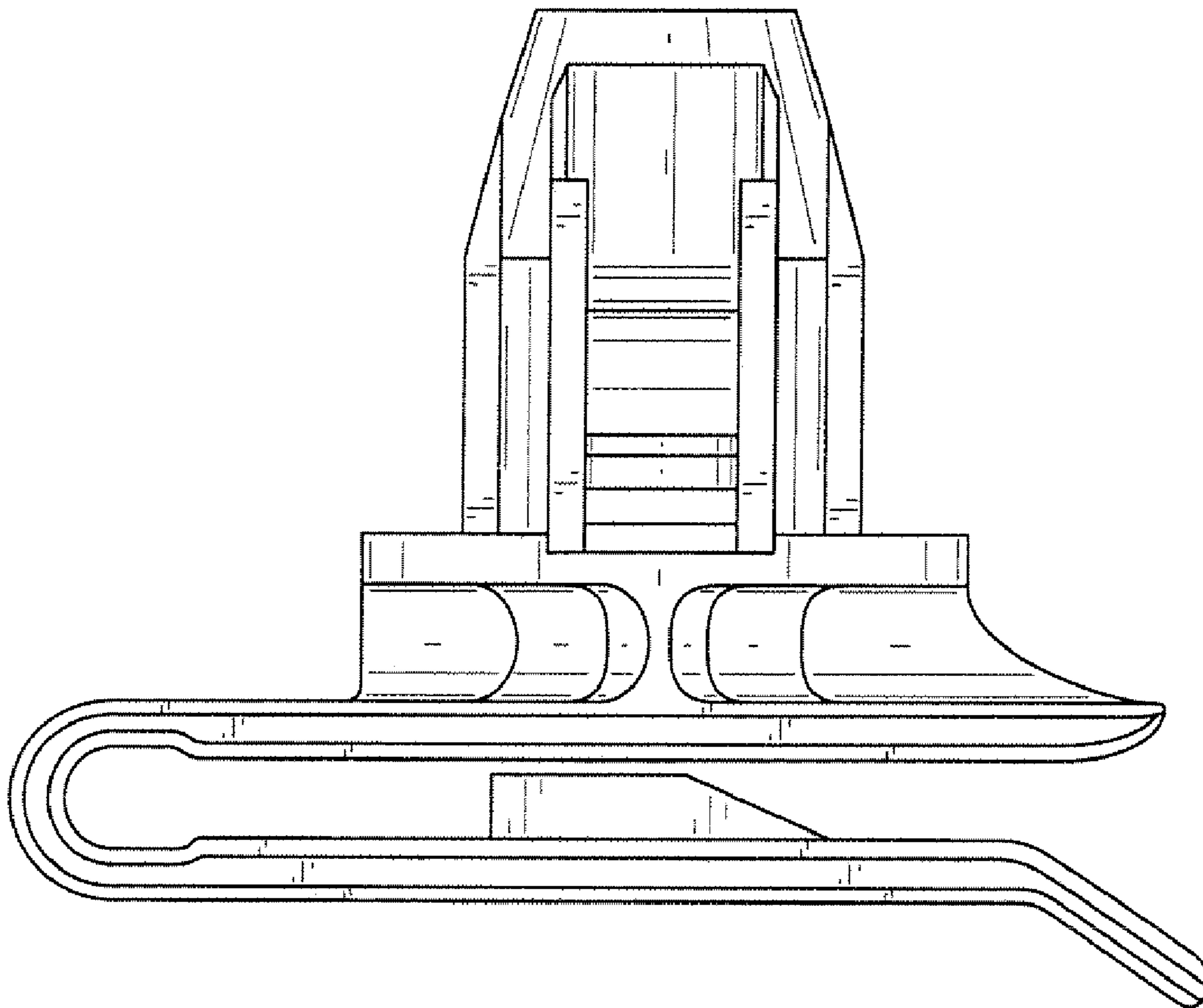


FIG. 4



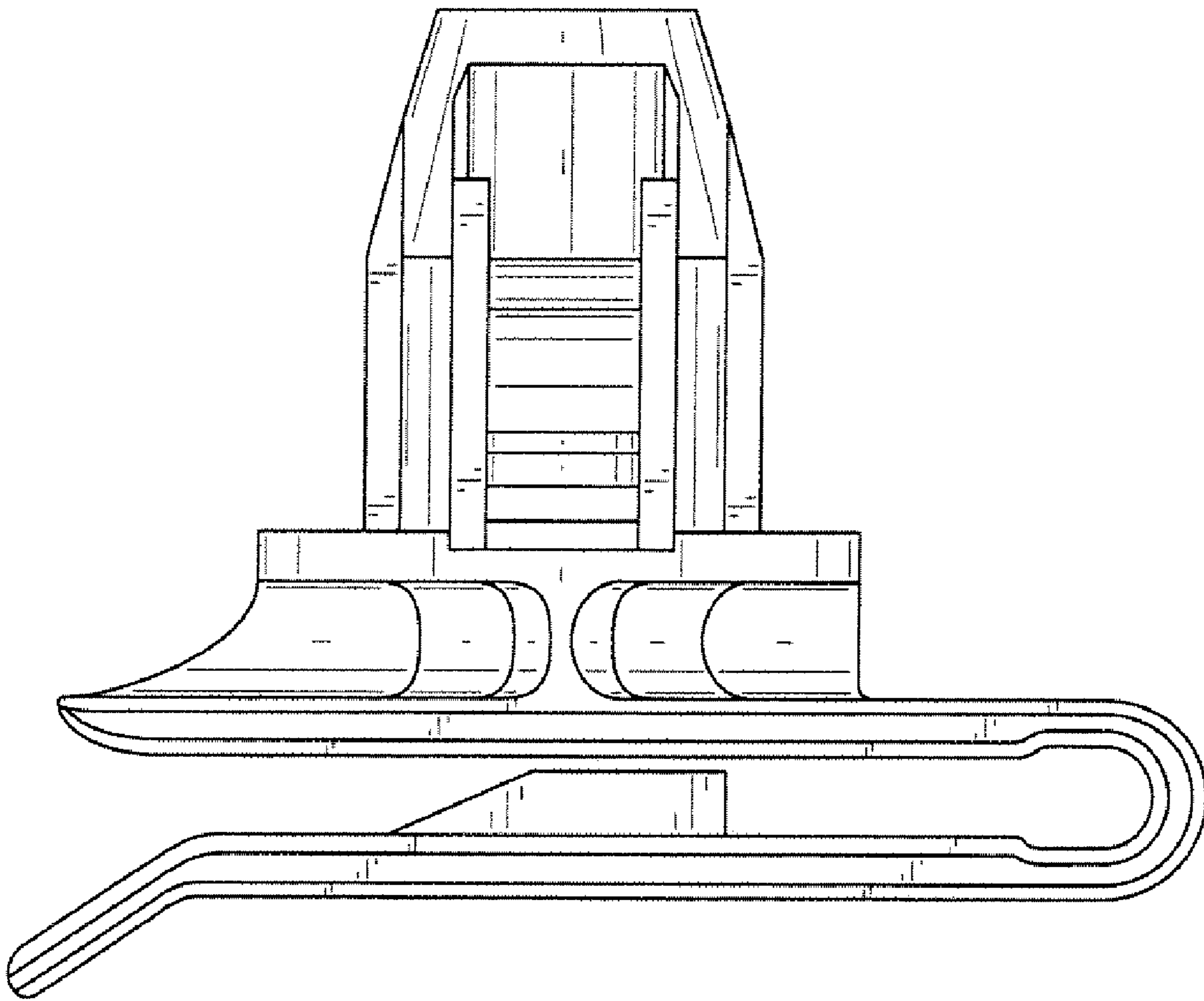


FIG. 5

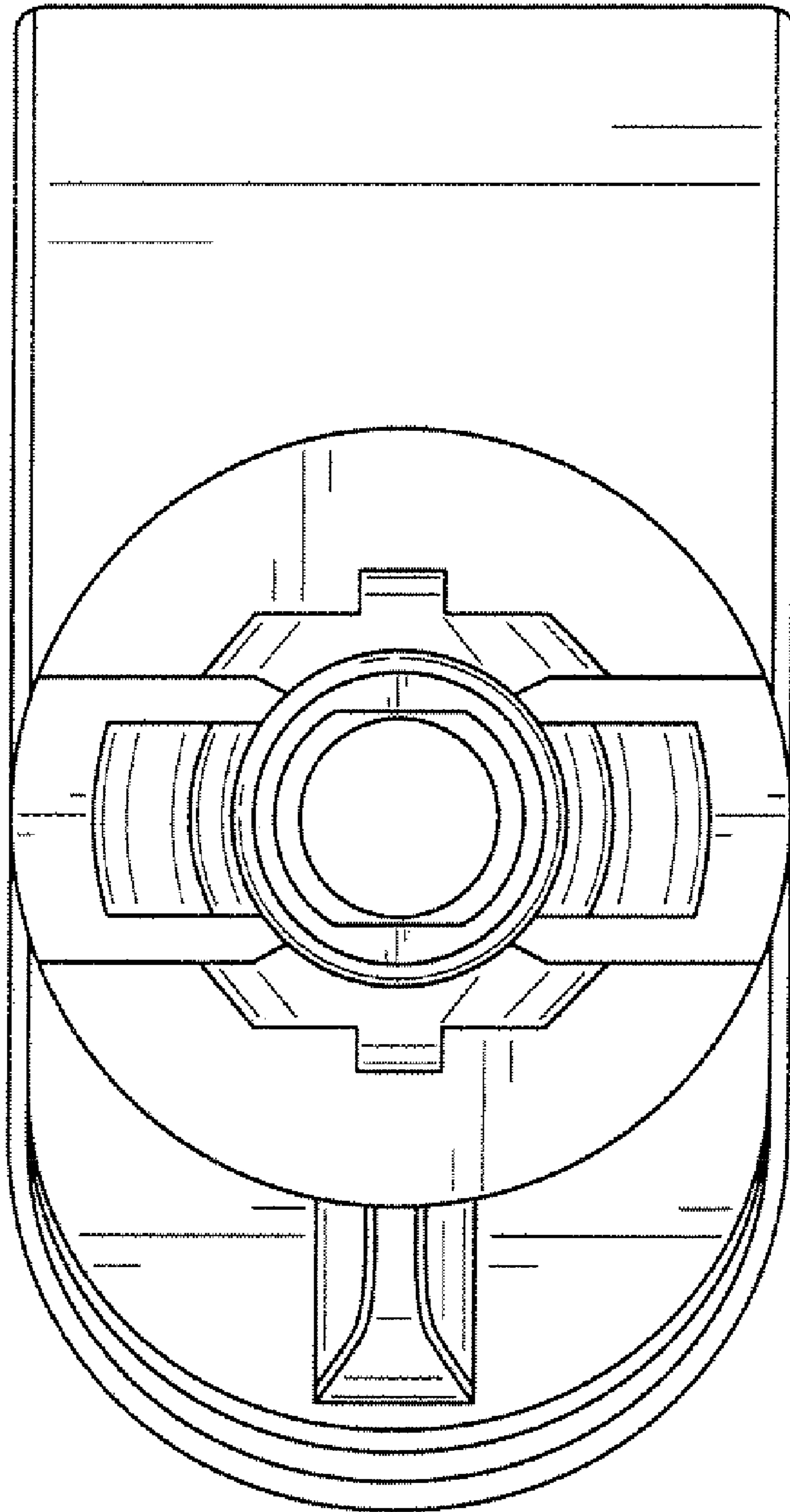


FIG. 6

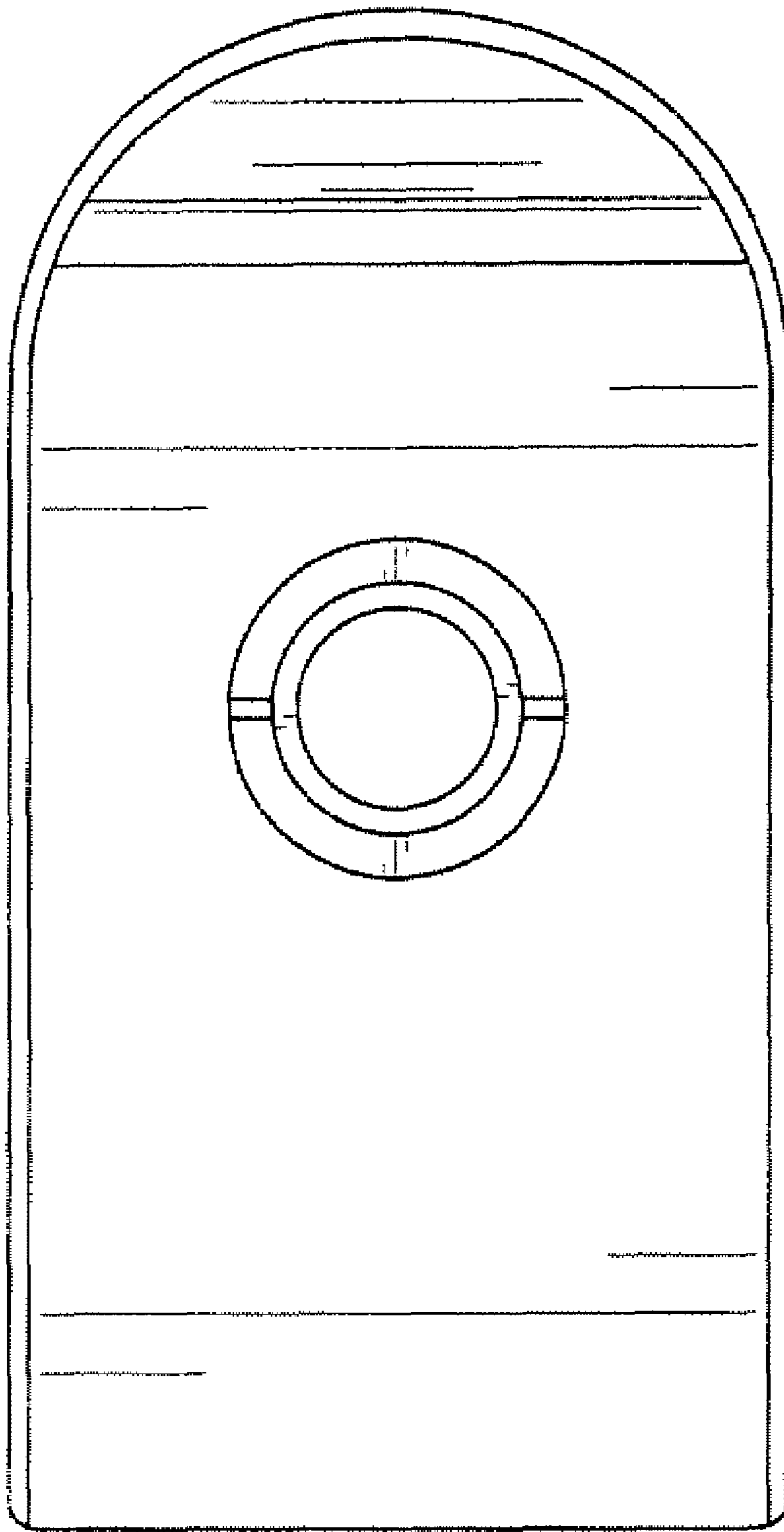


FIG. 7