



US00D582257S

(12) **United States Design Patent**
Cohen et al.

(10) **Patent No.:** **US D582,257 S**
(45) **Date of Patent:** **** Dec. 9, 2008**

(54) **DEVICE FOR HOLDING A DISPENSING NOZZLE**

D453,221 S * 1/2002 Haytman et al. D24/129
D465,145 S * 11/2002 Hubmann et al. D8/354
D472,131 S * 3/2003 Hubmann et al. D8/354

(75) Inventors: **Joseph P. Cohen**, Bethlehem, PA (US);
Richard M. Fetcho, Coplay, PA (US);
Roger A. Howells, Orefield, PA (US);
David K. Rohner, Allentown, PA (US)

* cited by examiner

Primary Examiner—Holly H Baynham

Assistant Examiner—Cynthia M Chin

(73) Assignee: **Air Products and Chemicals, Inc.**,
Allentown, PA (US)

(74) *Attorney, Agent, or Firm*—Stradley Ronon Stevens &
Young LLP

(**) Term: **14 Years**

(57) **CLAIM**

(21) Appl. No.: **29/295,847**

The ornamental design for a device for holding a dispensing nozzle, as shown and described.

(22) Filed: **Oct. 9, 2007**

DESCRIPTION

(51) **LOC (8) Cl.** **08-05**

FIG. 1 is a perspective view of our design for a device for holding a dispensing nozzle;

(52) **U.S. Cl.** **D8/354**

FIG. 2 is a left side view of the device shown in FIG. 1, the right side view being identical;

(58) **Field of Classification Search** D8/349,
D8/354, 363, 396, 499; D11/181, 182; D24/127,
D24/128; D29/129, 130; 248/75, 76, 79,
248/80, 81, 83, 85, 87, 89; 251/90
See application file for complete search history.

FIG. 3 is a rear view of the device shown in FIG. 1;

FIG. 4 is a front view of the device shown in FIG. 1;

FIG. 5 is a top view of the device shown in FIG. 1; and,

FIG. 6 is a bottom view of the device shown in FIG. 1.

(56) **References Cited**

The broken lines in FIGS. 1–6 are for illustrative purposes only and form no part of the claimed design.

U.S. PATENT DOCUMENTS

D264,010 S * 4/1982 Graf D29/129
4,712,766 A * 12/1987 Ehrenhalt 251/90
D431,450 S * 10/2000 Maharg et al. D8/363

1 Claim, 5 Drawing Sheets

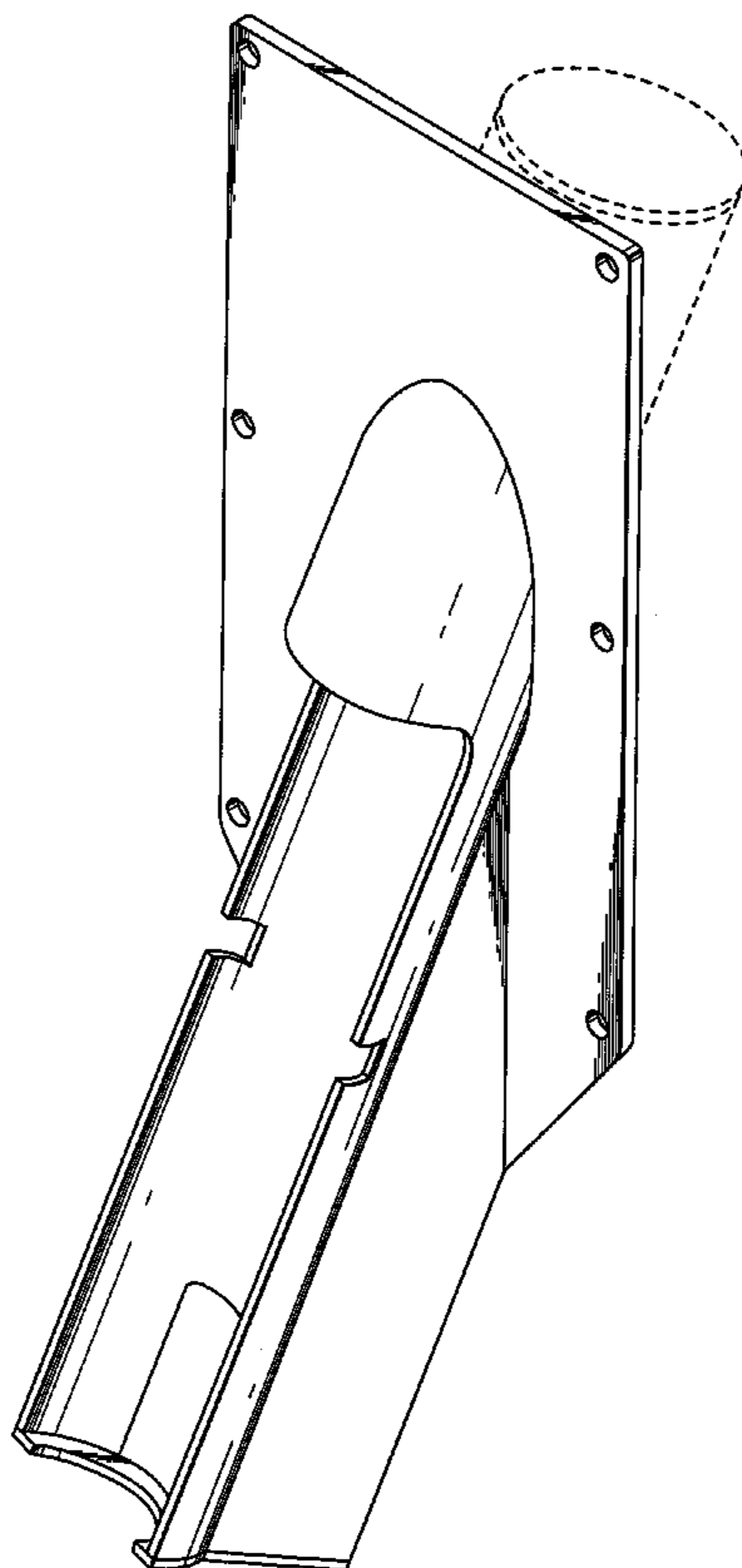
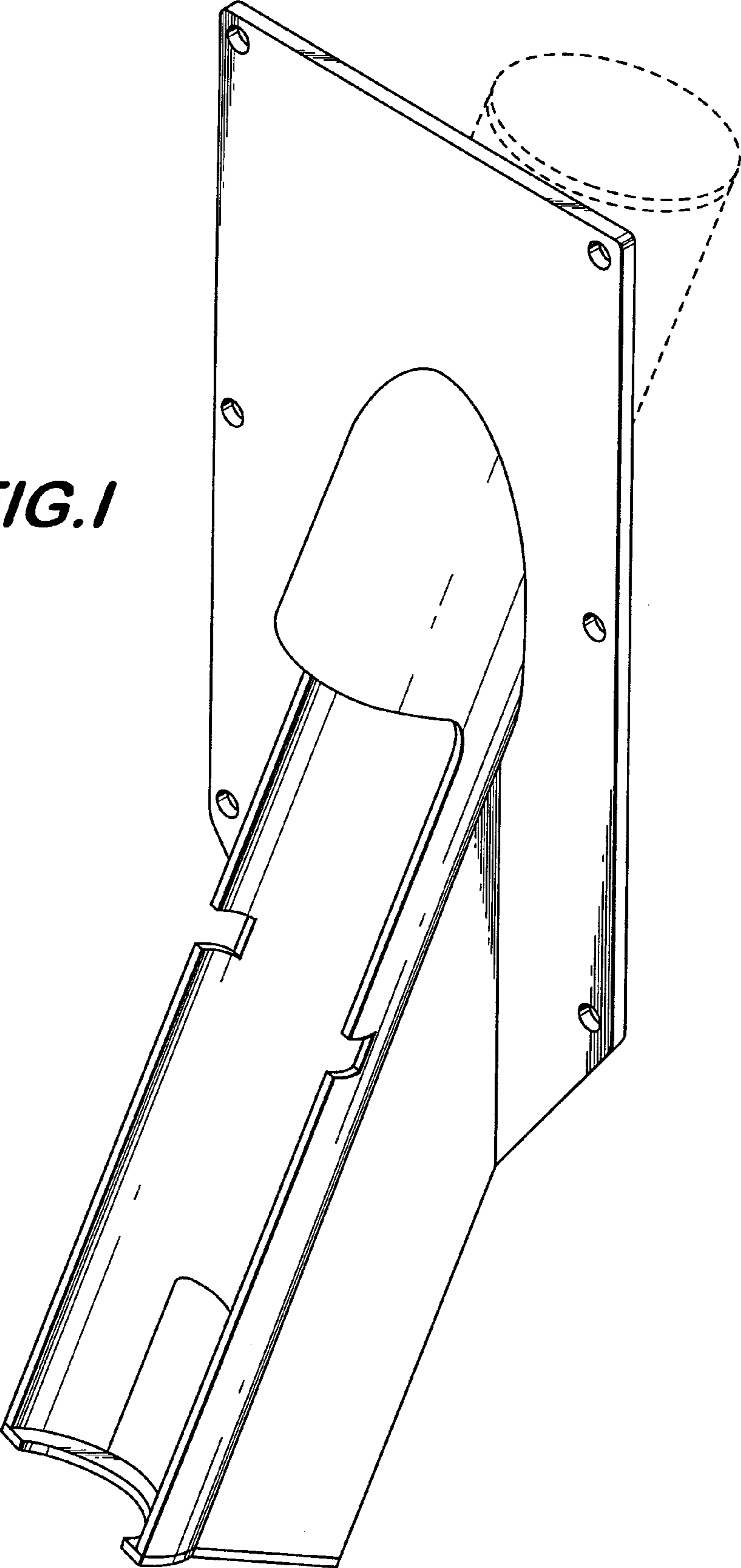


FIG. 1



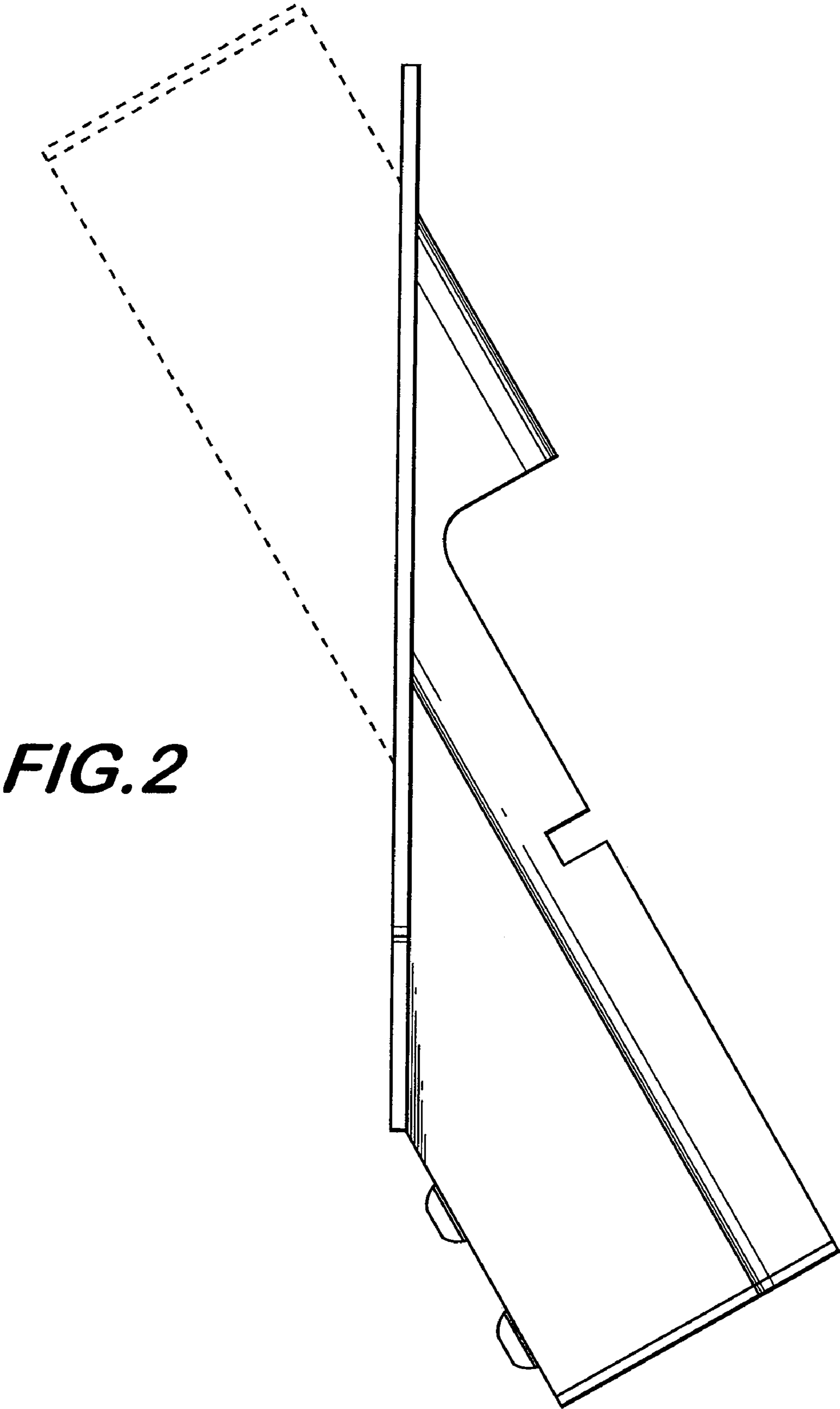


FIG. 2

FIG. 3

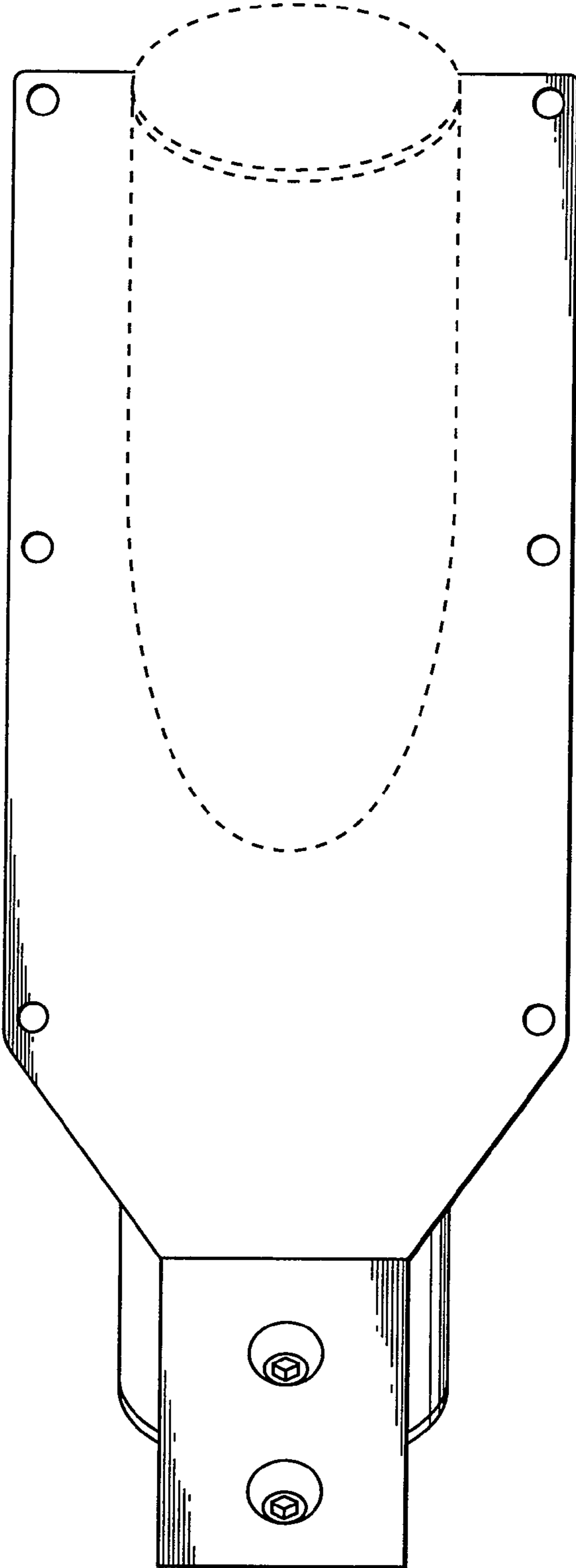
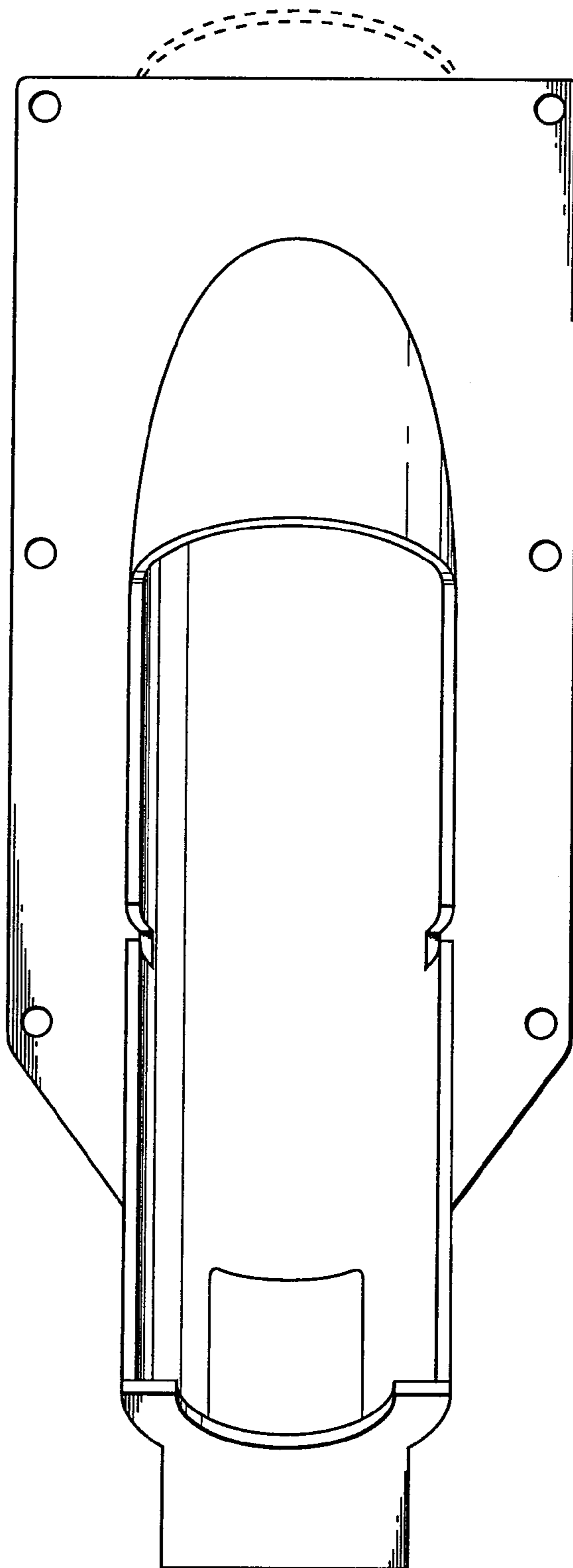


FIG. 4



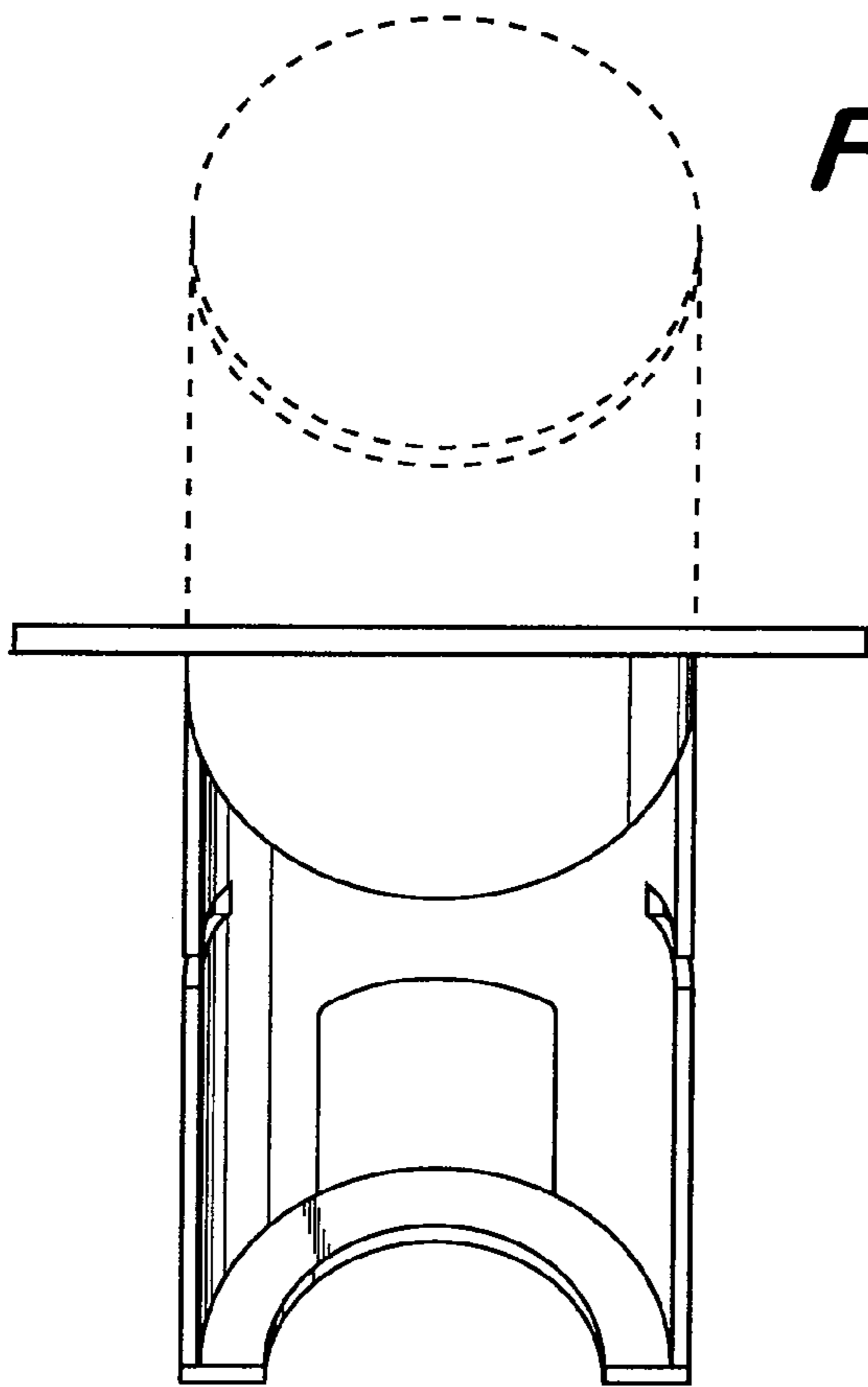


FIG. 5

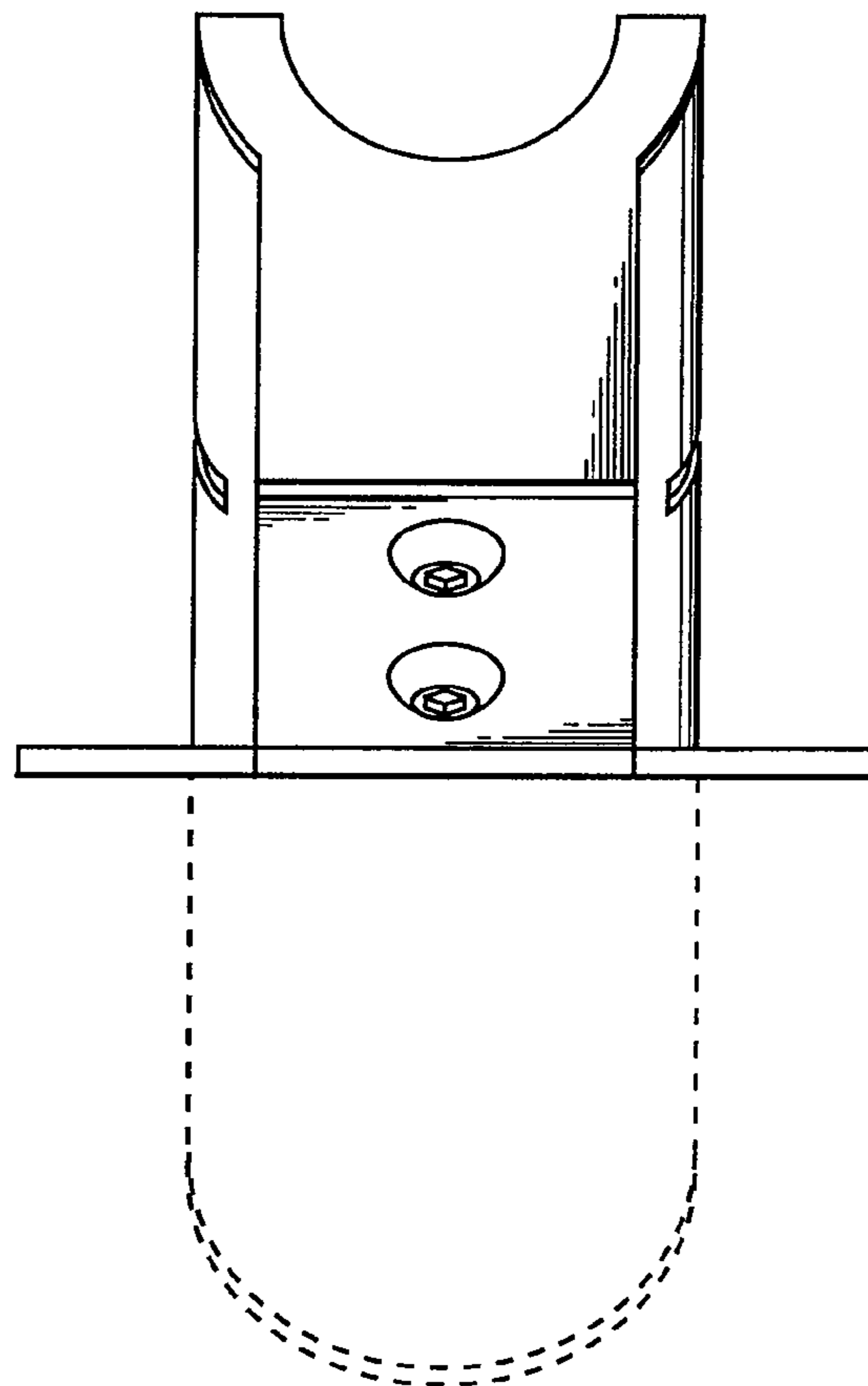


FIG. 6