



US00D582251S

(12) **United States Design Patent**
Mackey et al.

(10) **Patent No.:** **US D582,251 S**

(45) **Date of Patent:** **** Dec. 9, 2008**

(54) **LOCK**

(75) Inventors: **Eric Mackey**, Milwaukee, WI (US);
John Blomstrom, Green Bay, WI (US);
Scott Stevens, Cudahy, WI (US)

(73) Assignee: **Master Lock Company LLC**, Oak
Creek, WI (US)

(**) Term: **14 Years**

(21) Appl. No.: **29/280,599**

(22) Filed: **Jun. 1, 2007**

(51) **LOC (8) Cl.** **08-07**

(52) **U.S. Cl.** **D8/334; D8/331; D8/343**

(58) **Field of Classification Search** D8/330,
D8/331, 334, 336; 70/14, 20-38 C, 52, 53,
70/57, 91, DIG. 3

See application file for complete search history.

(56) **References Cited**

U.S. PATENT DOCUMENTS

228,619	A	6/1880	Estes et al.	
745,064	A	11/1903	Katzenberger	
825,735	A	7/1906	Katzenberger	
3,756,046	A	9/1973	Jeh	
3,952,559	A	4/1976	Atkinson	
D241,805	S *	10/1976	Stolarz	D8/334
4,422,311	A	12/1983	Zabel et al.	
4,476,698	A	10/1984	Treslo	
4,938,039	A *	7/1990	Tzung-I	70/38 A
5,572,890	A *	11/1996	Carpenter	70/371
D406,043	S	2/1999	LeClaire	

D425,398	S	5/2000	Fiegener et al.	
6,298,694	B1	10/2001	Knoll	
D461,699	S *	8/2002	Lavikainen et al.	D8/334
D476,216	S *	6/2003	Vito	D8/334
D484,776	S *	1/2004	Ruan	D8/334
6,718,803	B2 *	4/2004	Knoll	70/26
D512,900	S	12/2005	Tarter et al.	
D516,408	S	3/2006	Kearns et al.	
D517,396	S *	3/2006	Tarter et al.	D8/334
7,047,772	B2 *	5/2006	Yu	70/21
D557,107	S *	12/2007	Van Handel et al.	D8/334

* cited by examiner

Primary Examiner—Prabhakar Deshmukh

(74) *Attorney, Agent, or Firm*—Calfee, Halter & Griswold
LLP

(57) **CLAIM**

The ornamental design for a lock, as shown and described.

DESCRIPTION

FIG. 1 is a perspective view of a lock showing our new design;

FIG. 2 is a front elevational view thereof;

FIG. 3 is a right side elevational view thereof;

FIG. 4 is a left side elevational view thereof;

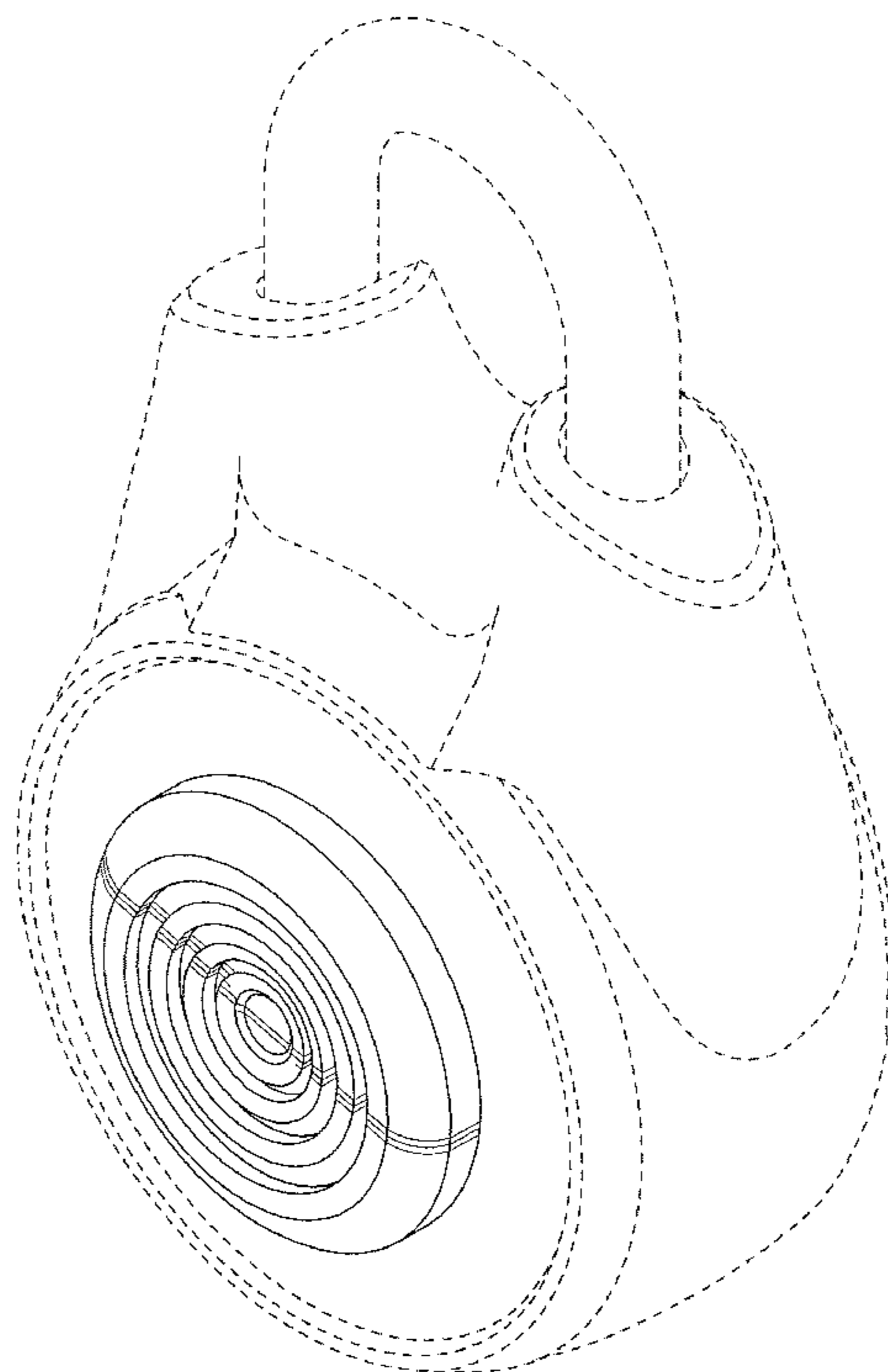
FIG. 5 is a rear elevational view thereof;

FIG. 6 is a top plan view thereof; and,

FIG. 7 is a bottom plan view thereof.

The broken lines showing of lock is for illustrative purpose
only and forms no part of the claimed design.

1 Claim, 4 Drawing Sheets



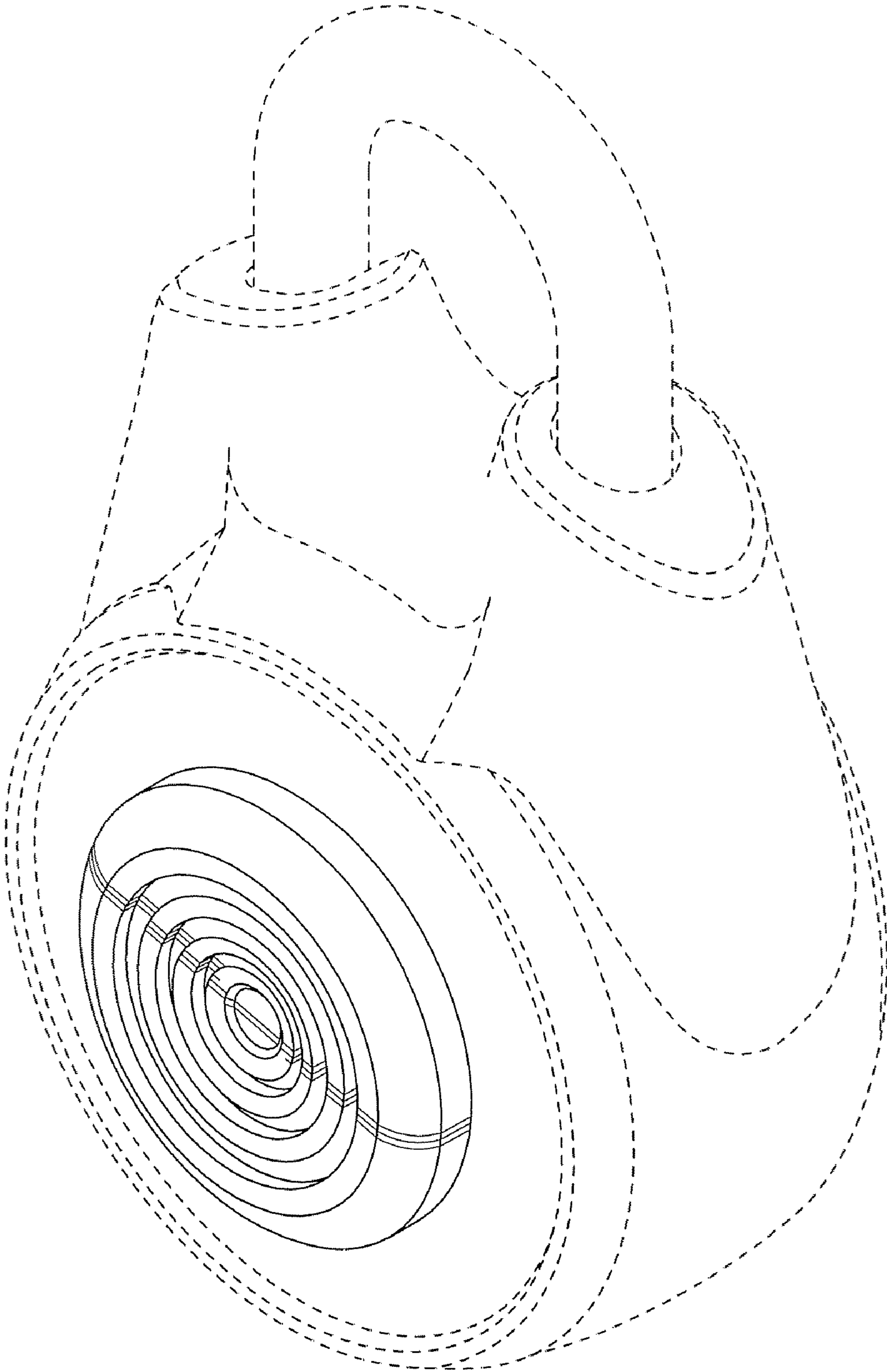


FIG. 1

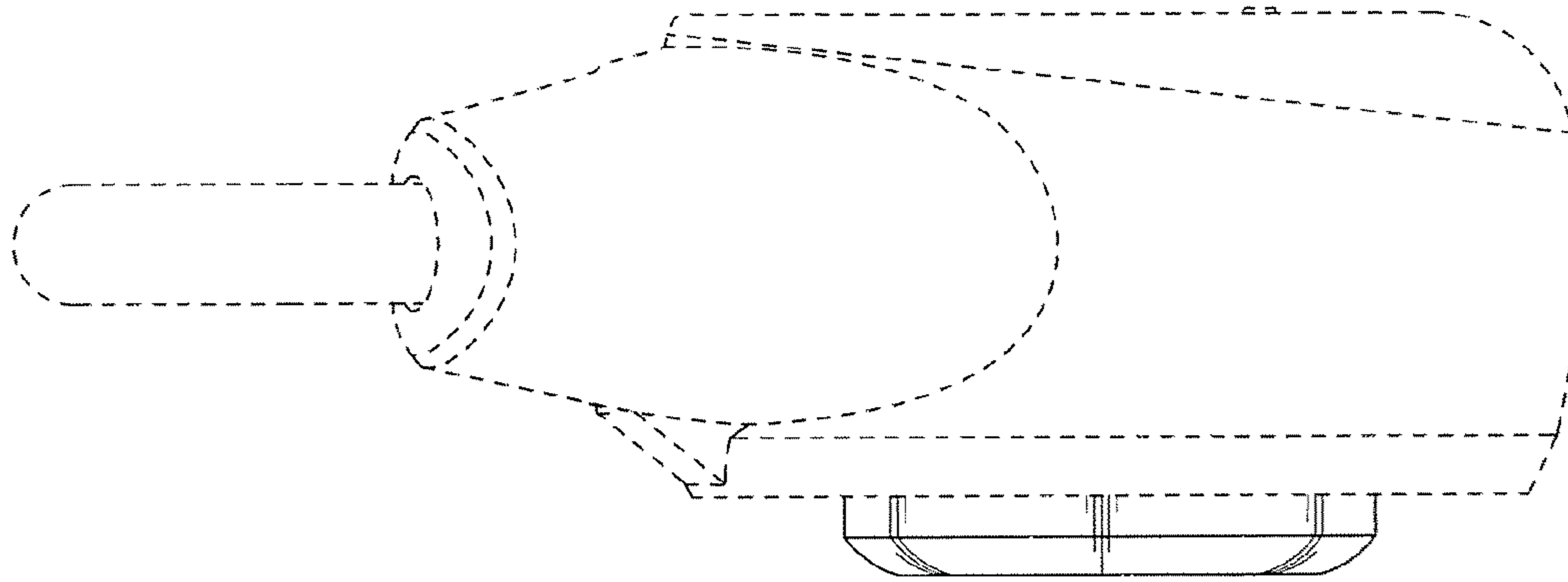


FIG. 3

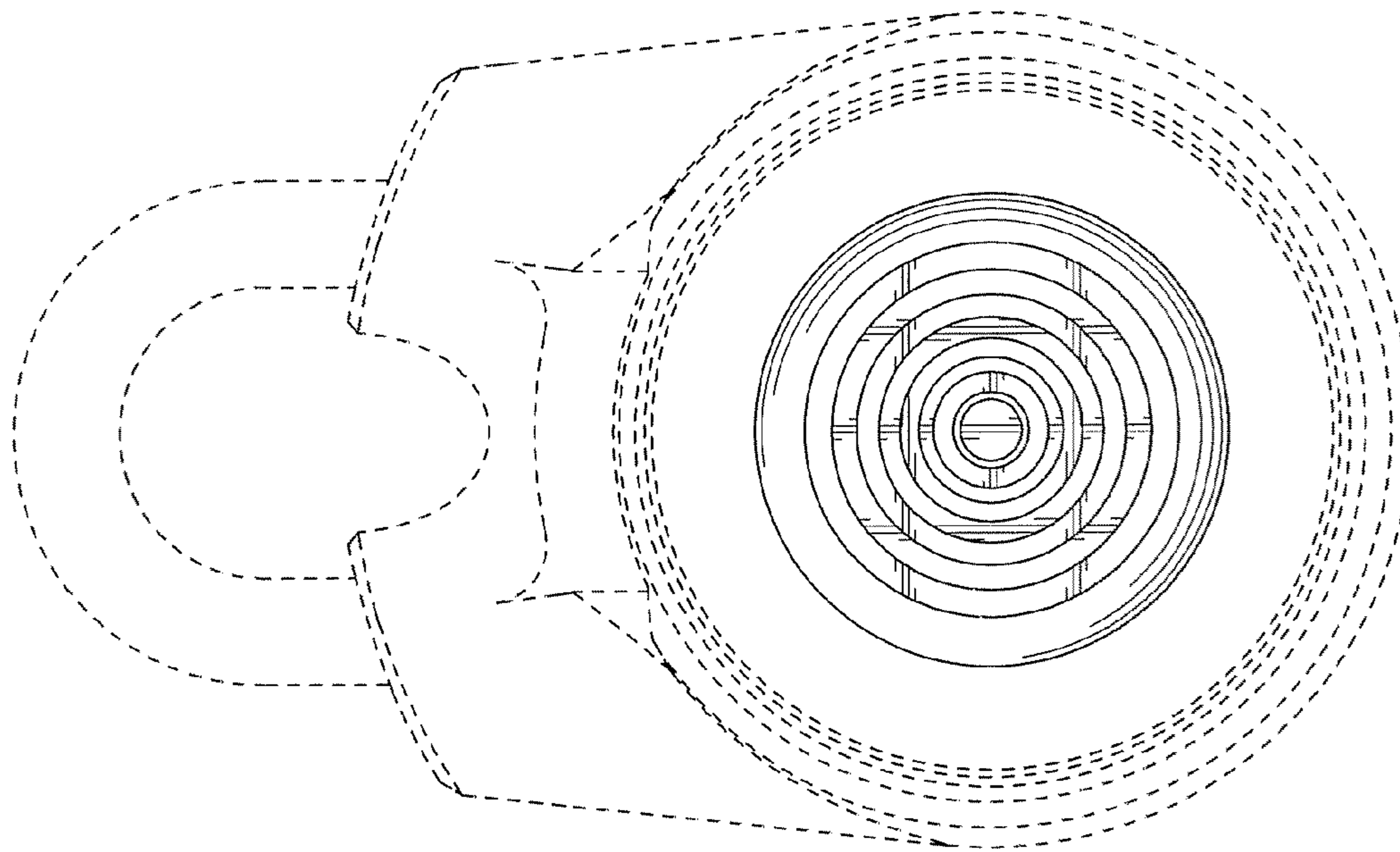


FIG. 2

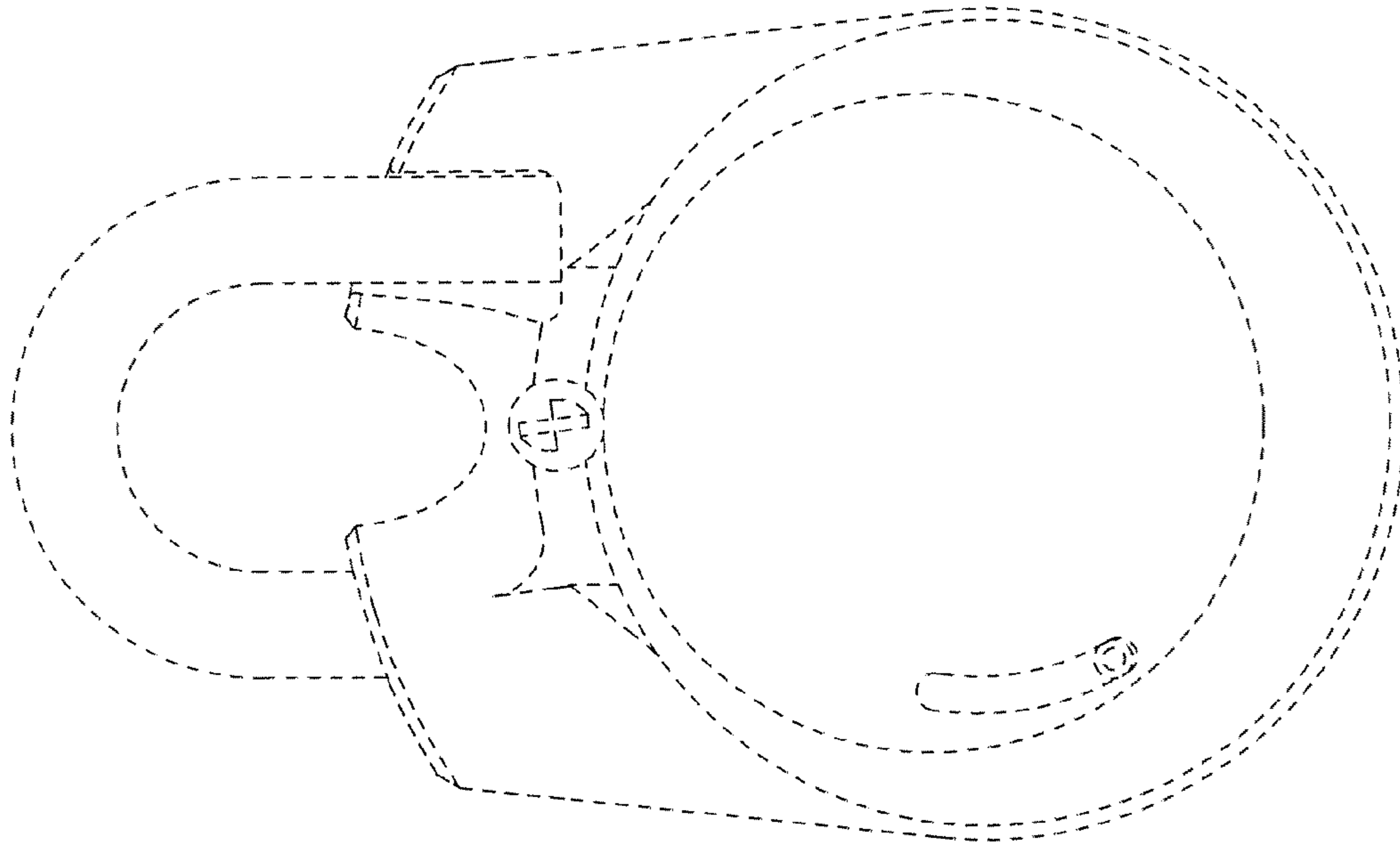


FIG. 5

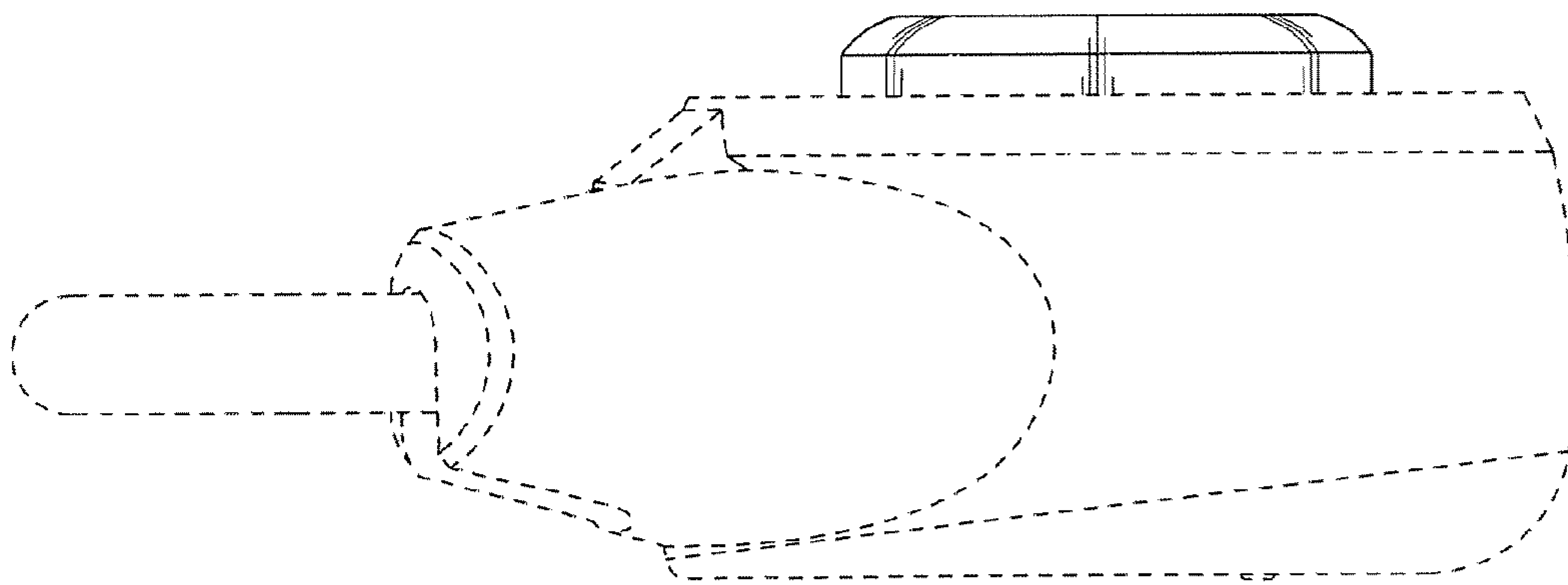


FIG. 4

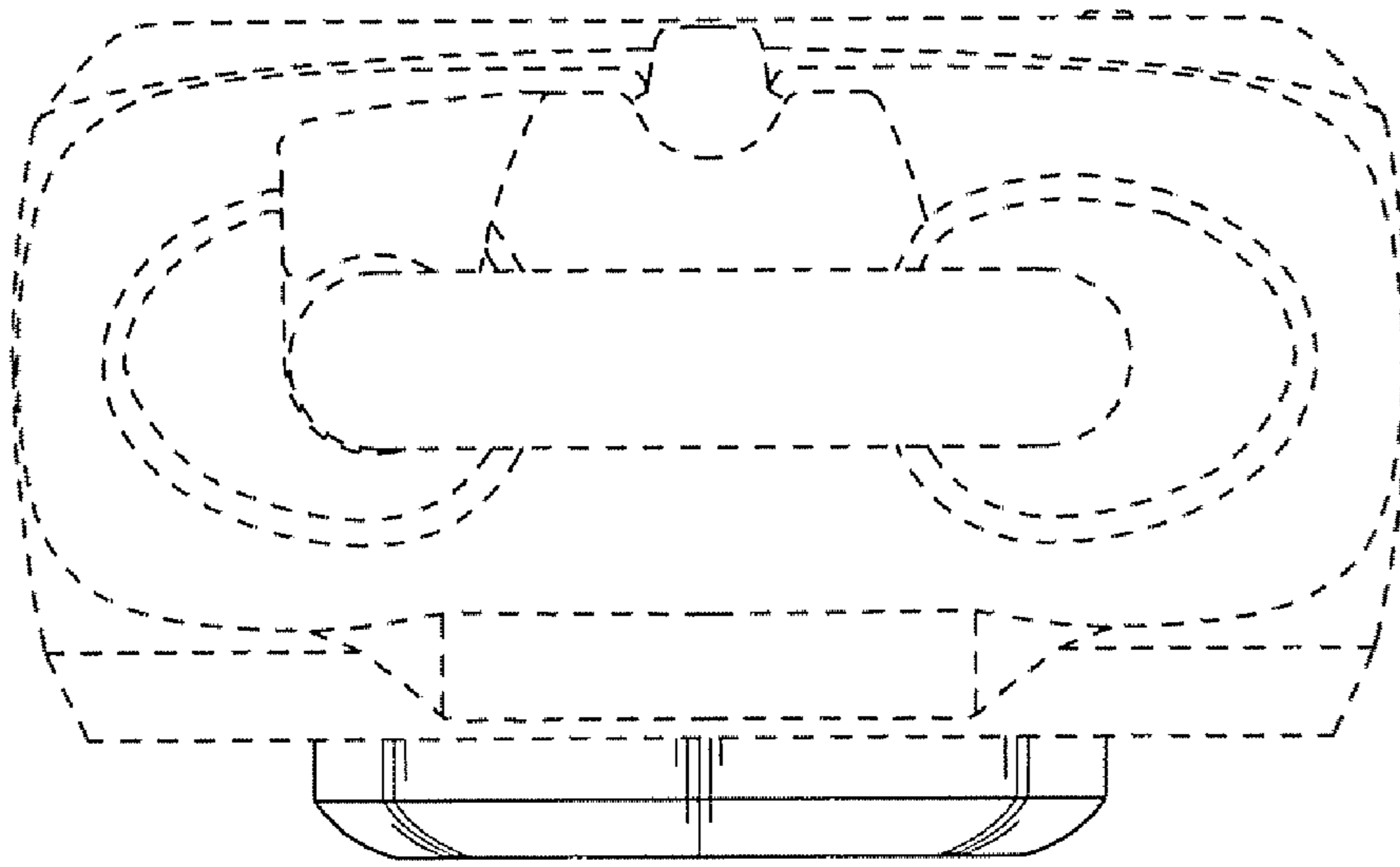


FIG. 6

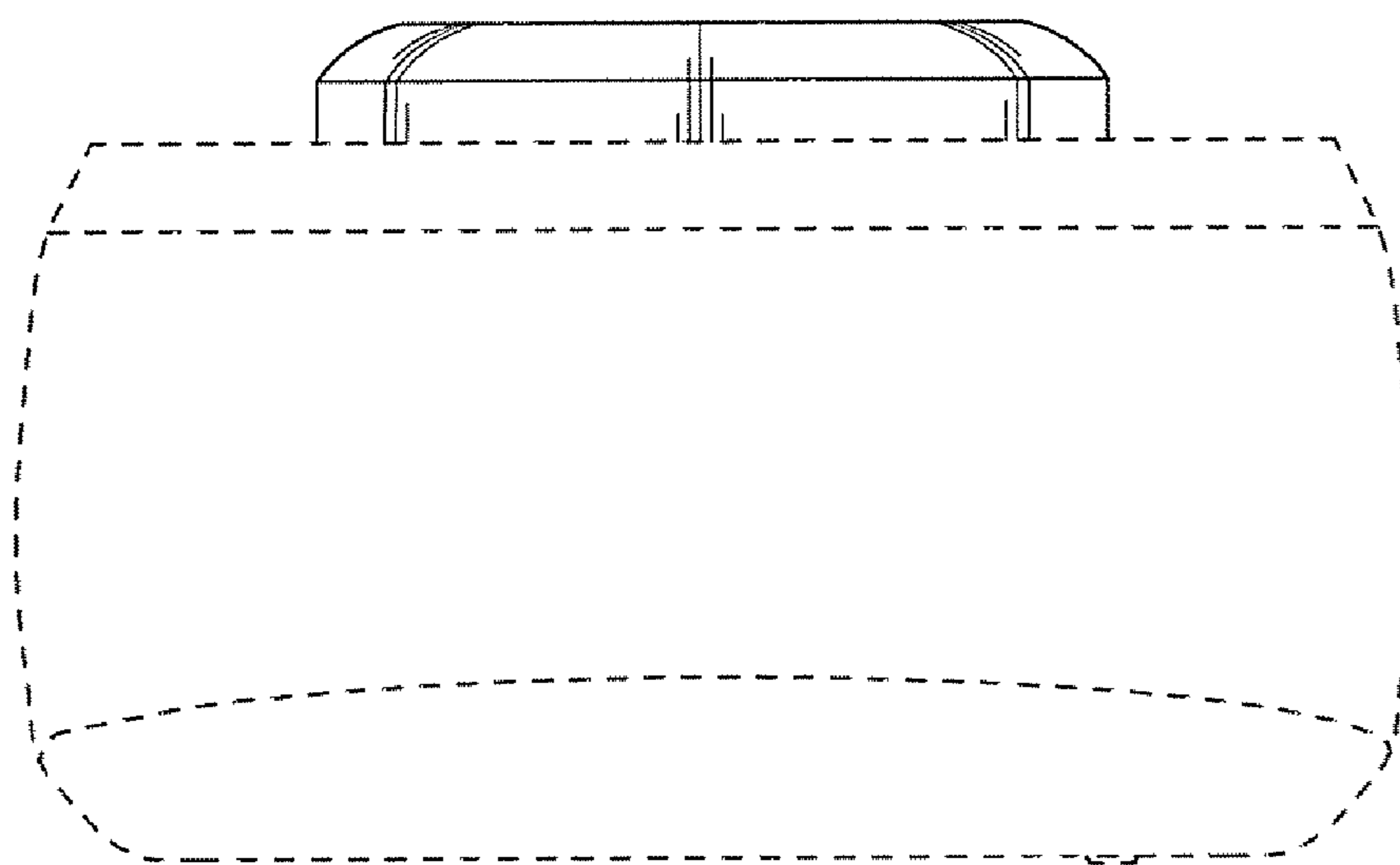


FIG. 7