



US00D582250S

(12) **United States Design Patent**  
**Johansson**

(10) **Patent No.:** **US D582,250 S**  
(45) **Date of Patent:** **\*\* Dec. 9, 2008**

(54) **LATCH**

- (75) Inventor: **Henrik Olov Johansson**,  
Husby-Rekarne (SE)
- (73) Assignee: **Southco, Inc.**, Concordville, PA (US)
- (\*\*) Term: **14 Years**
- (21) Appl. No.: **29/298,994**
- (22) Filed: **Dec. 17, 2007**

**Related U.S. Application Data**

- (63) Continuation of application No. 29/250,069, filed on Oct. 31, 2006, now abandoned.

- (51) **LOC (8) Cl.** ..... **08-07**
- (52) **U.S. Cl.** ..... **D8/331**
- (58) **Field of Classification Search** ..... D8/301,  
D8/330-348; 70/77-79, 91, 101, 162; 292/57,  
292/80, 95, 121, 137, 163, 177, 337, 175,  
292/140-143, 240-242, 165, DIG. 31  
See application file for complete search history.

(56) **References Cited**

**U.S. PATENT DOCUMENTS**

D324,636	S	*	3/1992	Schlack et al.	.....	D8/331
D328,231	S		7/1992	Hansen		
5,234,238	A		8/1993	Takimoto		
D370,620	S	*	6/1996	Ziemer	.....	D8/341
D429,141	S		8/2000	Antonucci et al.		
6,109,669	A	*	8/2000	Pinkow	.....	292/175
D452,808	S	*	1/2002	Kyle	.....	D8/331
D459,192	S	*	6/2002	Weinerman et al.	.....	D8/338
6,460,902	B1	*	10/2002	Kyle	.....	292/165
D475,602	S	*	6/2003	McCloskey	.....	D8/331
D489,958	S	*	5/2004	Jackson et al.	.....	D8/331
D489,959	S	*	5/2004	Jackson et al.	.....	D8/331
D506,120	S	*	6/2005	Straka et al.	.....	D8/331
6,953,209	B2		10/2005	Jackson, Jr. et al.		
D530,181	S	*	10/2006	Straka et al.	.....	D8/301
D536,949	S	*	2/2007	Weinerman et al.	.....	D8/331
D541,129	S	*	4/2007	Helton et al.	.....	D8/301
D545,667	S	*	7/2007	Weinerman et al.	.....	D8/331
7,313,937	B2		1/2008	Straka, Jr.		

**OTHER PUBLICATIONS**

Southco Handbook 2002, pp. 44-52, and 110 and 111.  
 Gemlux Catalog, New Products for 2002, pp. 3, 30 and 31.  
 Perko Catalog No. 290 (2000-2001), pp. 166-171 and 181-183, 2000.  
 Detailed photographs of Gemlux Model 1263 Latch—listed in the  
 Gemlux 2002 Catalog.

\* cited by examiner

*Primary Examiner*—Mitchell I Siegel  
 (74) *Attorney, Agent, or Firm*—Paul and Paul

(57) **CLAIM**

The ornamental design for a latch, as shown and described.

**DESCRIPTION**

FIG. 1 is a perspective view of a latch showing my new design shown with the handle down;  
 FIG. 2 is a right side elevational view thereof;  
 FIG. 3 is a left side elevational view thereof;  
 FIG. 4 is a front elevational view thereof;  
 FIG. 5 is a rear elevational view thereof;  
 FIG. 6 is a top plan view thereof; the bottom view of this embodiment not being part of the claimed design;  
 FIG. 7 is a perspective view of a latch showing my new design shown with the handle up;  
 FIG. 8 is a right side elevational view thereof;  
 FIG. 9 is a left side elevational view thereof;  
 FIG. 10 is a front elevational view thereof;  
 FIG. 11 is a rear elevational view thereof;  
 FIG. 12 is a top plan view thereof; the bottom view of this embodiment not being part of the claimed design;  
 FIG. 13 is a perspective view of a second embodiment of a latch showing my new design shown with the handle down;  
 FIG. 14 is a right side elevational view thereof;  
 FIG. 15 is a left side elevational view thereof;  
 FIG. 16 is a front elevational view thereof;

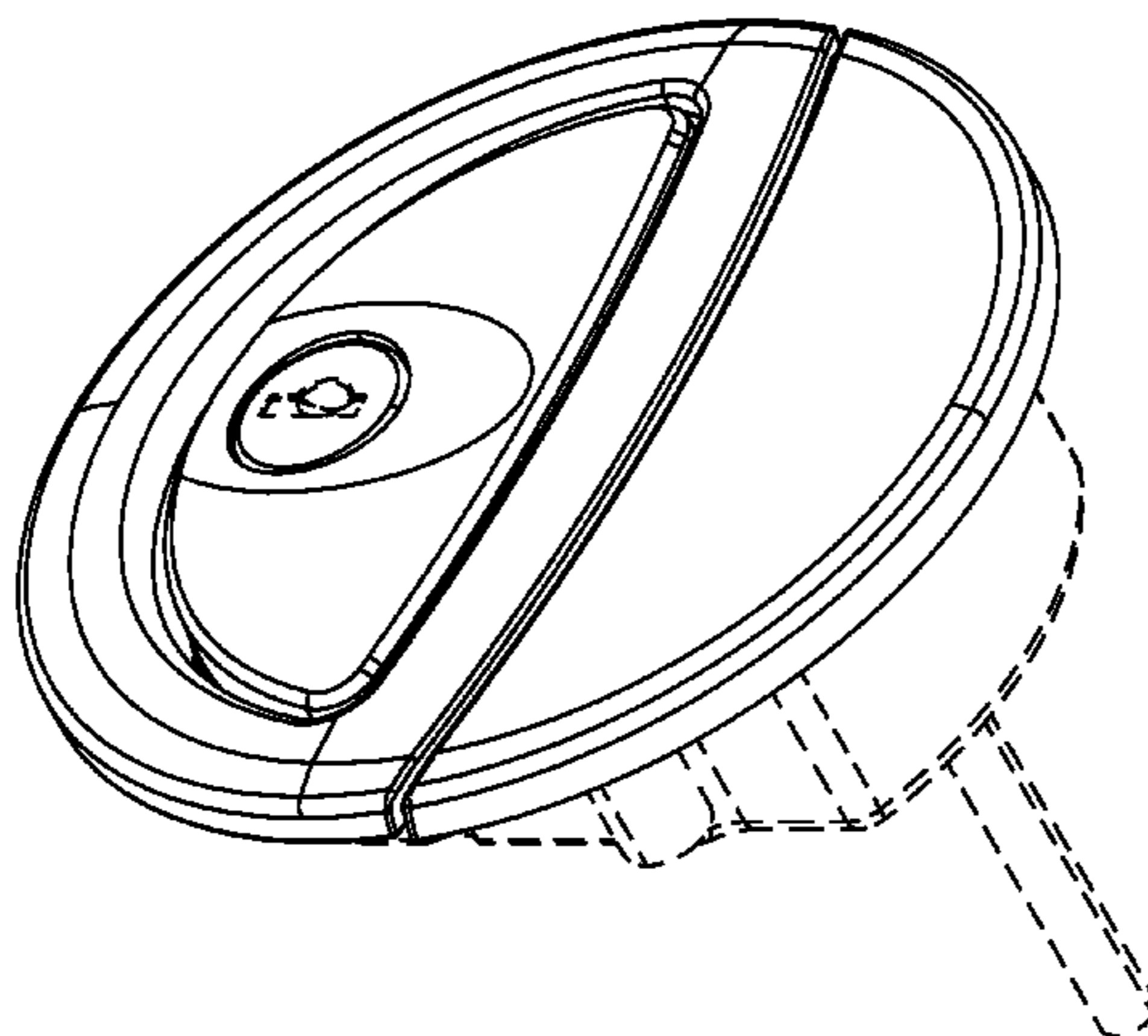


FIG. 17 is a rear elevational view thereof;  
FIG. 18 is a top plan view thereof; the bottom view of this embodiment not being part of the claimed design;  
FIG. 19 is a perspective view of the latch of FIGS. 13–18 showing my new design shown with the handle up;  
FIG. 20 is a right side elevational view thereof;  
FIG. 21 is a left side elevational view thereof;  
FIG. 22 is a front elevational view thereof;  
FIG. 23 is a rear elevational view thereof;  
FIG. 24 is a top plan view thereof; the bottom view of this embodiment not being part of the claimed design;  
FIG. 25 is a perspective view of a third embodiment of a latch showing my new design shown with the handle down;  
FIG. 26 is a right side elevational view thereof;  
FIG. 27 is a left side elevational view thereof;  
FIG. 28 is a front elevational view thereof;  
FIG. 29 is a rear elevational view thereof;  
FIG. 30 is a top plan view thereof;  
FIG. 31 is a bottom view thereof;  
FIG. 32 is a perspective view of the latch of FIGS. 25–31 showing my new design shown with the handle up;  
FIG. 33 is a right side elevational view thereof;  
FIG. 34 is a left side elevational view thereof;  
FIG. 35 is a front elevational view thereof;  
FIG. 36 is a rear elevational view thereof;  
FIG. 37 is a top plan view thereof;  
FIG. 38 is a bottom view thereof;  
FIG. 39 is a perspective view of a fourth embodiment of a latch showing my new design shown with the handle down;  
FIG. 40 is a right side elevational view thereof;  
FIG. 41 is a left side elevational view thereof;  
FIG. 42 is a front elevational view thereof;

FIG. 43 is a rear elevational view thereof;  
FIG. 44 is a top plan view thereof;  
FIG. 45 is a bottom view thereof;  
FIG. 46 is a perspective view of the latch of FIGS. 39–45 showing my new design shown with the handle up;  
FIG. 47 is a right side elevational view thereof;  
FIG. 48 is a left side elevational view thereof;  
FIG. 49 is a front elevational view thereof;  
FIG. 50 is a rear elevational view thereof;  
FIG. 51 is a top plan view thereof;  
FIG. 52 is a bottom view thereof;  
FIG. 53 is a perspective view of a fifth embodiment of a latch showing my new design shown with the handle down;  
FIG. 54 is a right side elevational view thereof;  
FIG. 55 is a left side elevational view thereof;  
FIG. 56 is a front elevational view thereof;  
FIG. 57 is a rear elevational view thereof;  
FIG. 58 is a top plan view thereof;  
FIG. 59 is a bottom view thereof;  
FIG. 60 is a perspective view of the latch of FIGS. 53–59 showing my new design shown with the handle up;  
FIG. 61 is a right side elevational view thereof;  
FIG. 62 is a left side elevational view thereof;  
FIG. 63 is a front elevational view thereof;  
FIG. 64 is a rear elevational view thereof;  
FIG. 65 is a top plan view thereof; and,  
FIG. 66 is a bottom view thereof.

The broken line showing is included for the purpose of illustrating and forms no part of the claimed design. The bottom view not disclosed in embodiments 1 and 2 is identical to the bottom view disclosed in embodiments 3, 4 and 5.

**1 Claim, 66 Drawing Sheets**

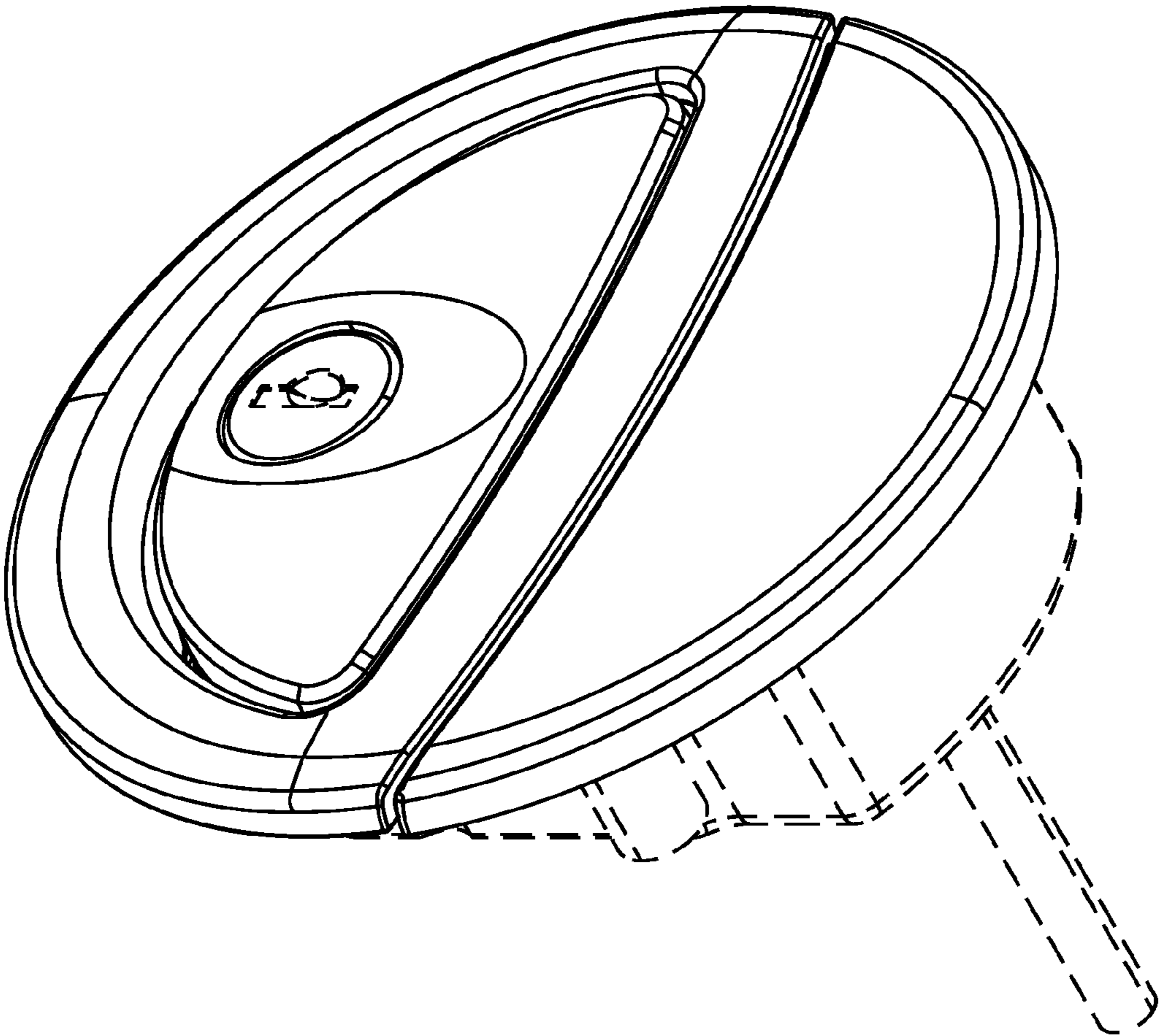


Fig. 1

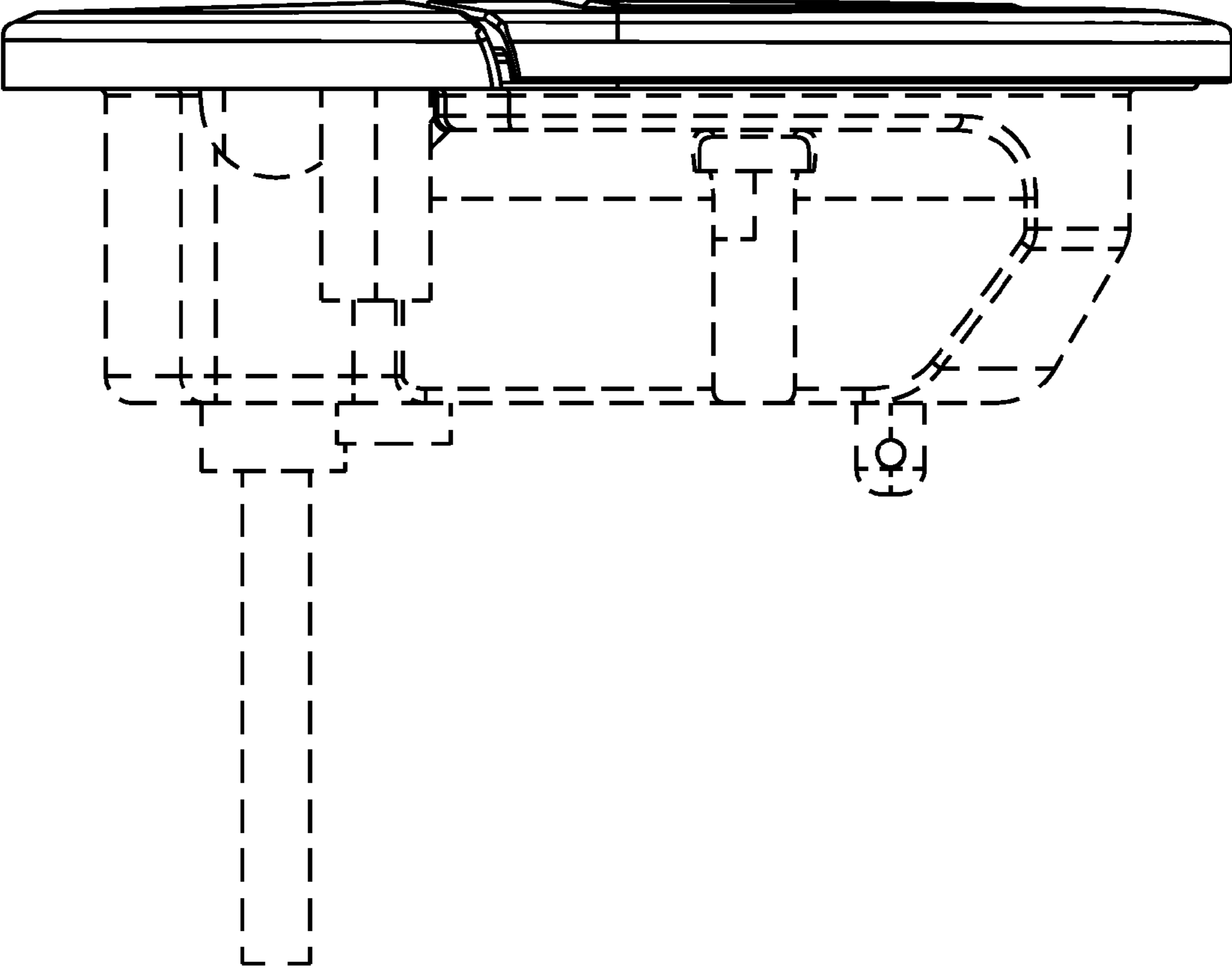


Fig. 2

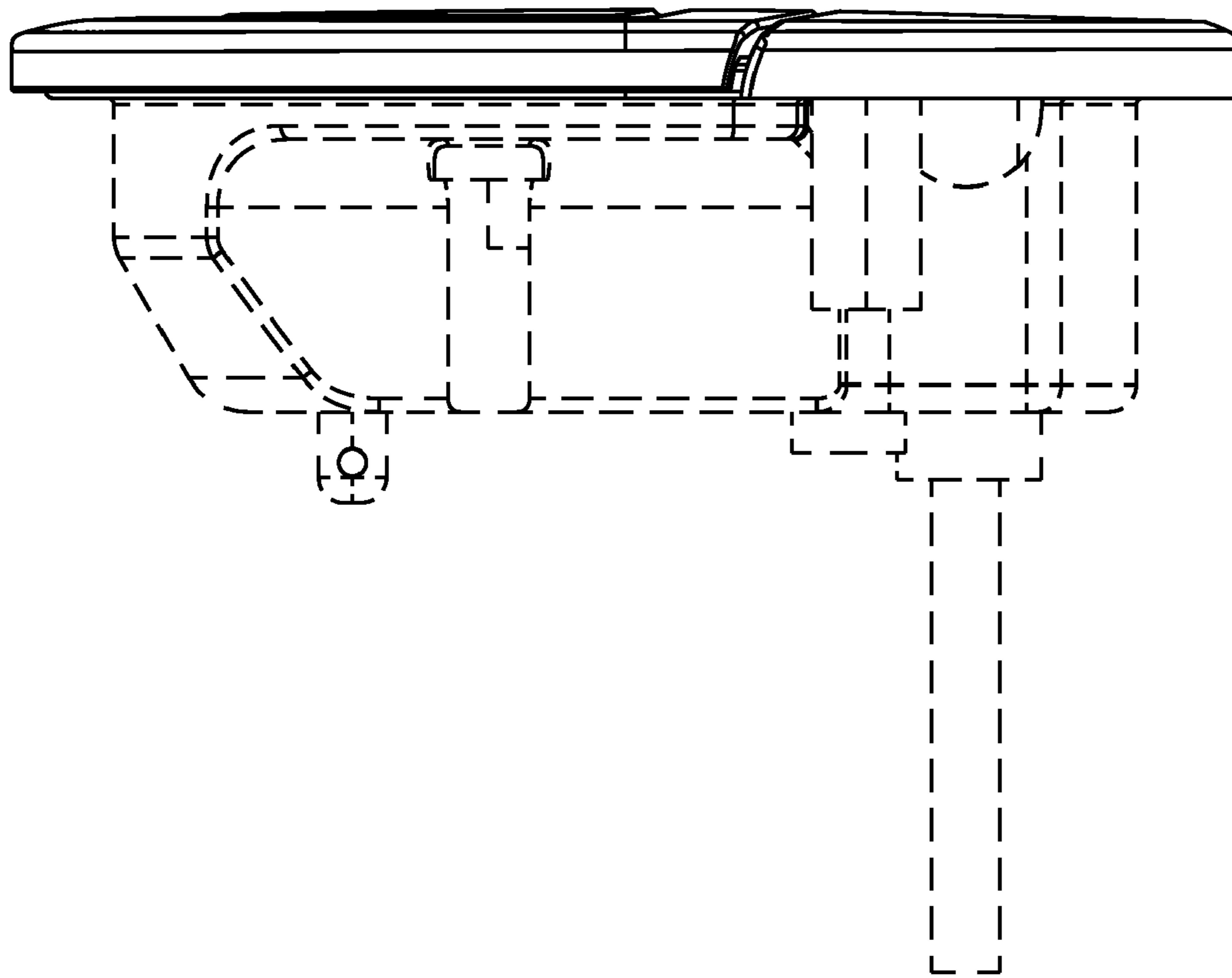


Fig. 3

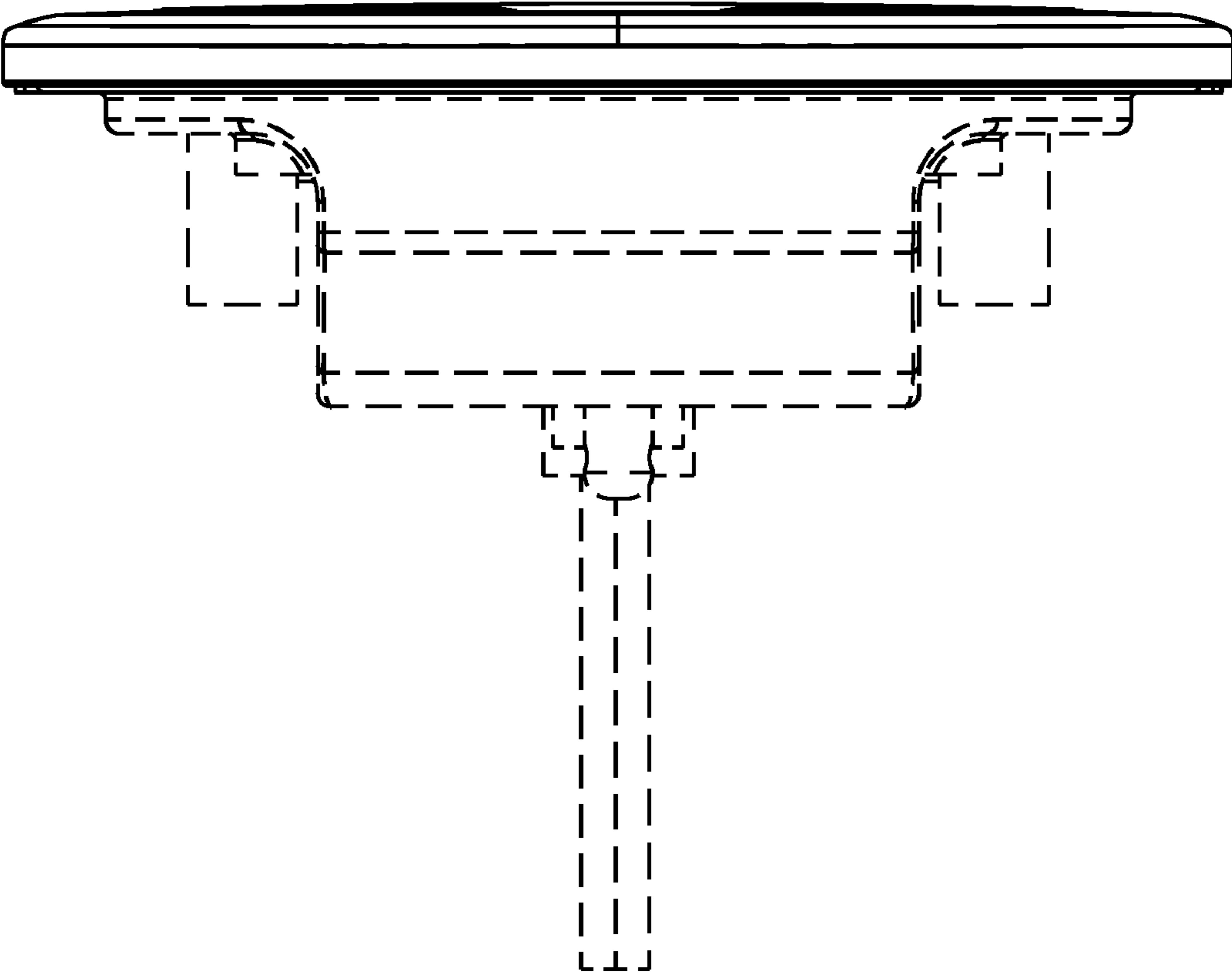


Fig. 4

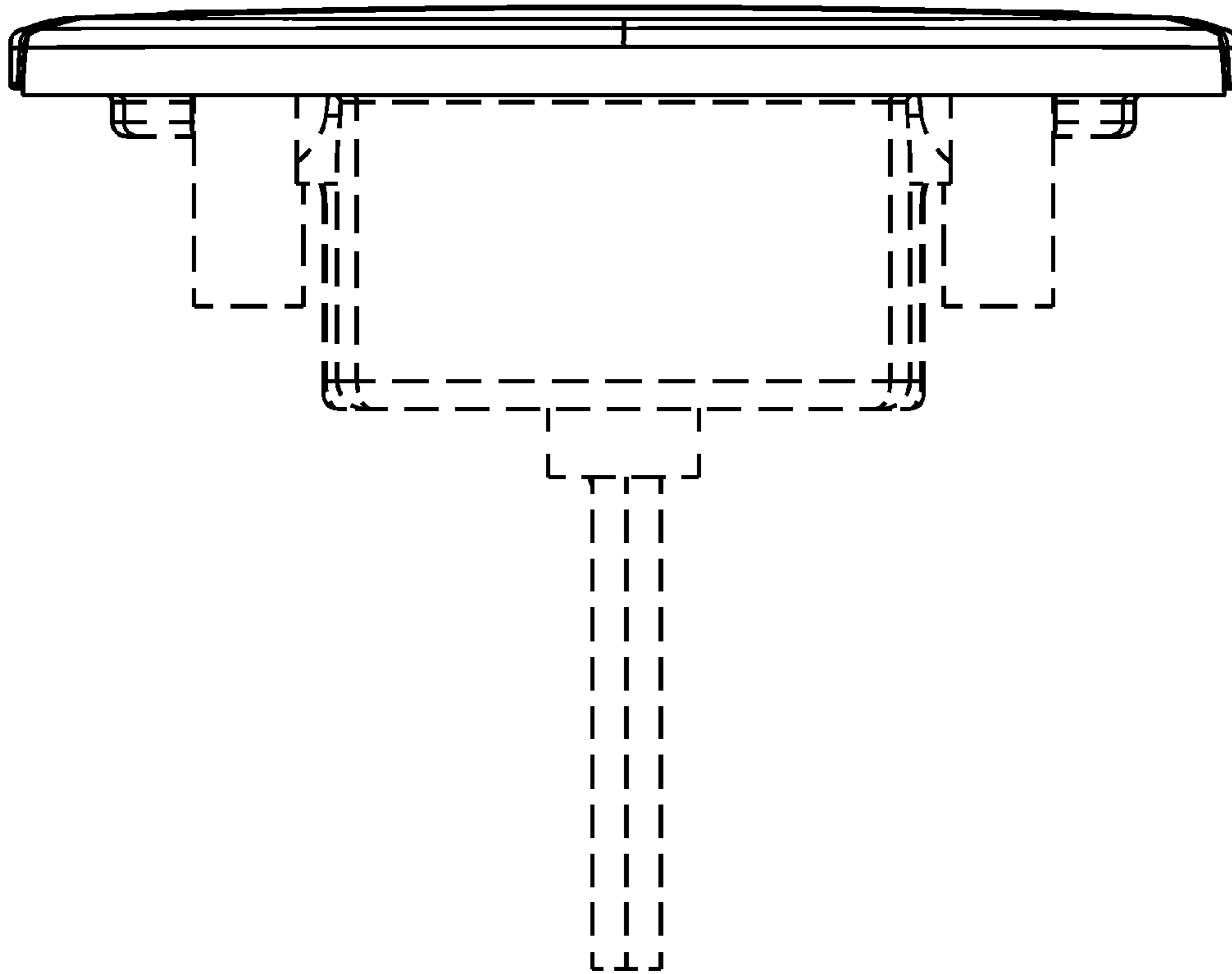


Fig. 5

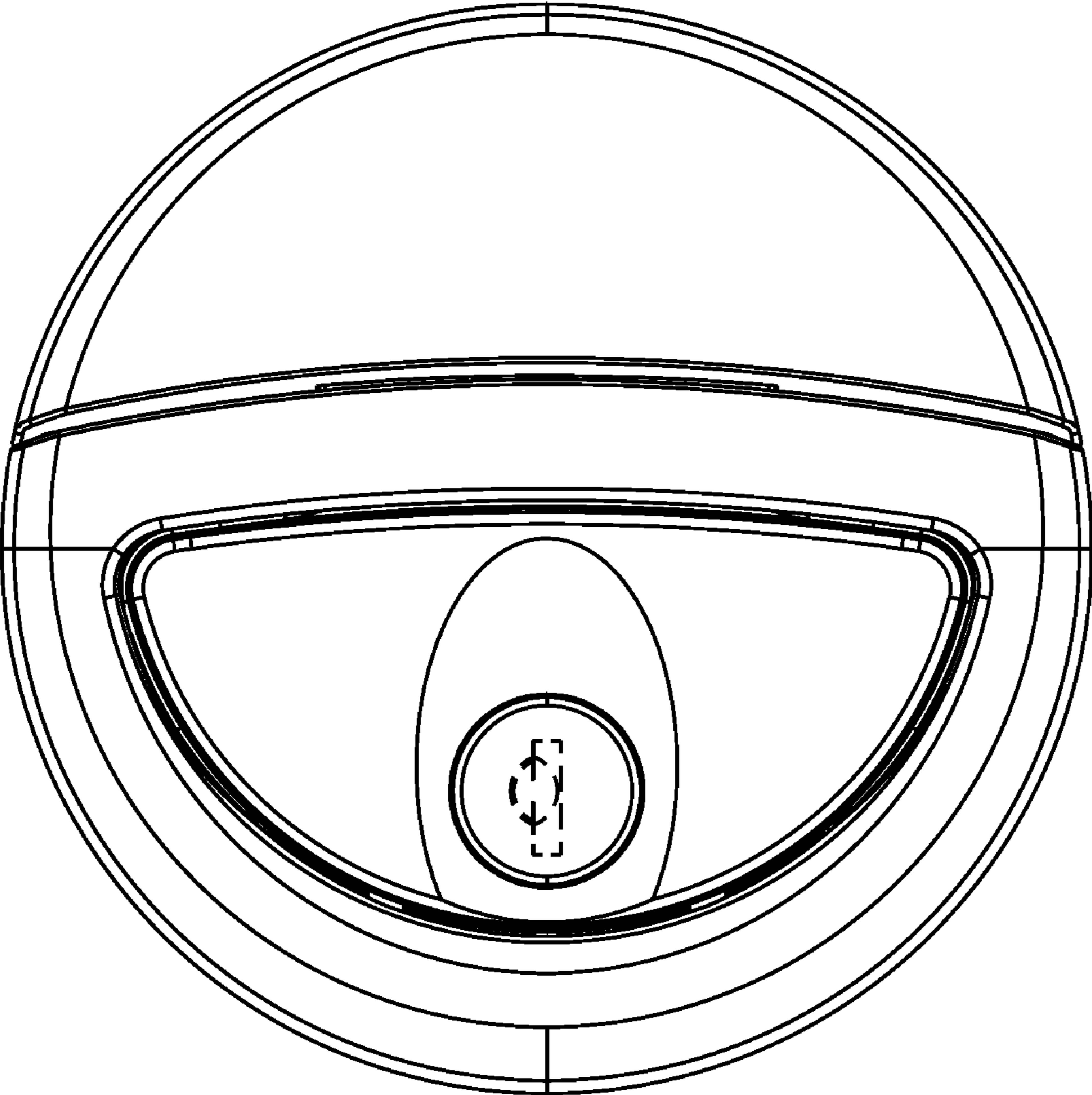


Fig. 6



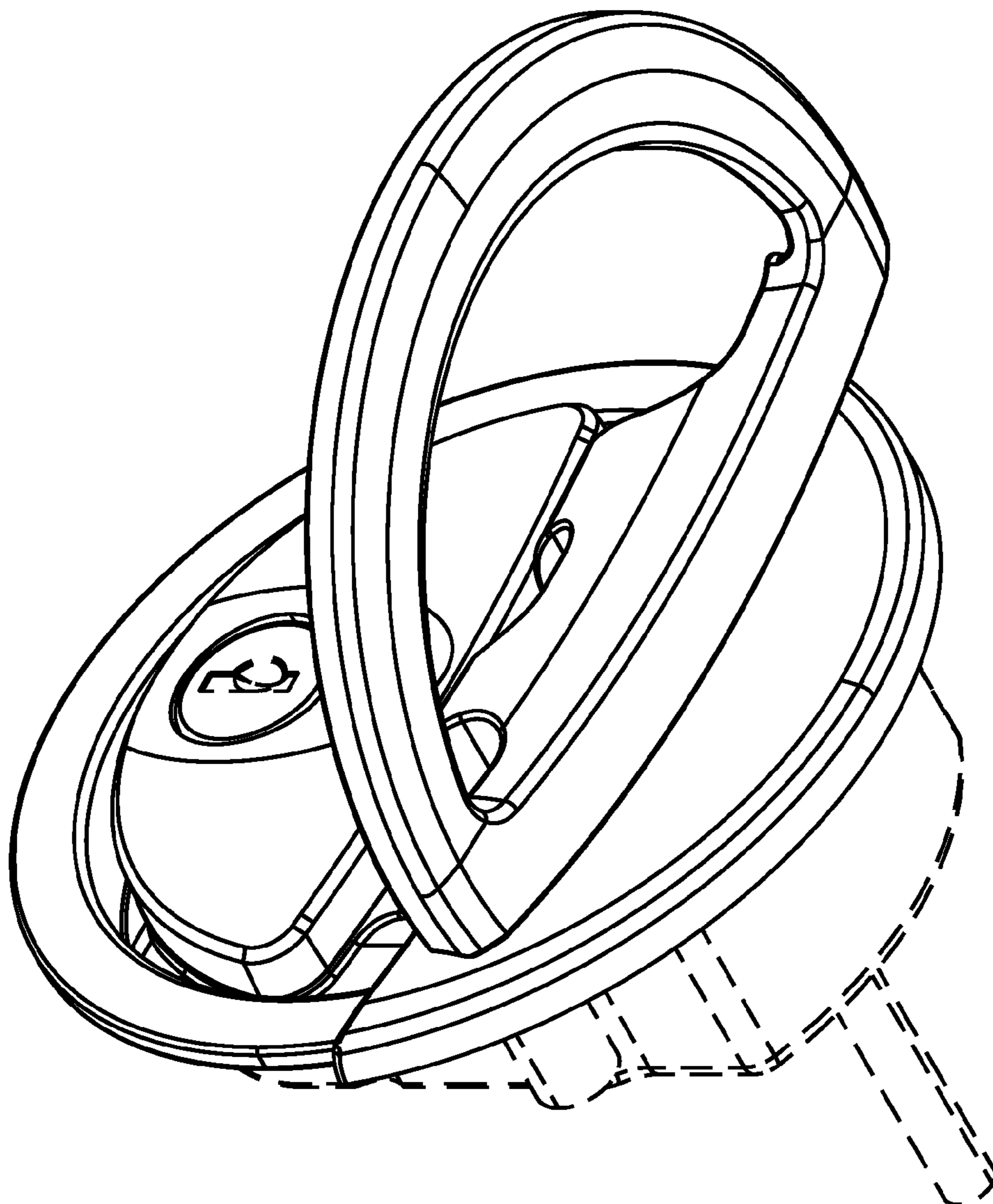


Fig. 7

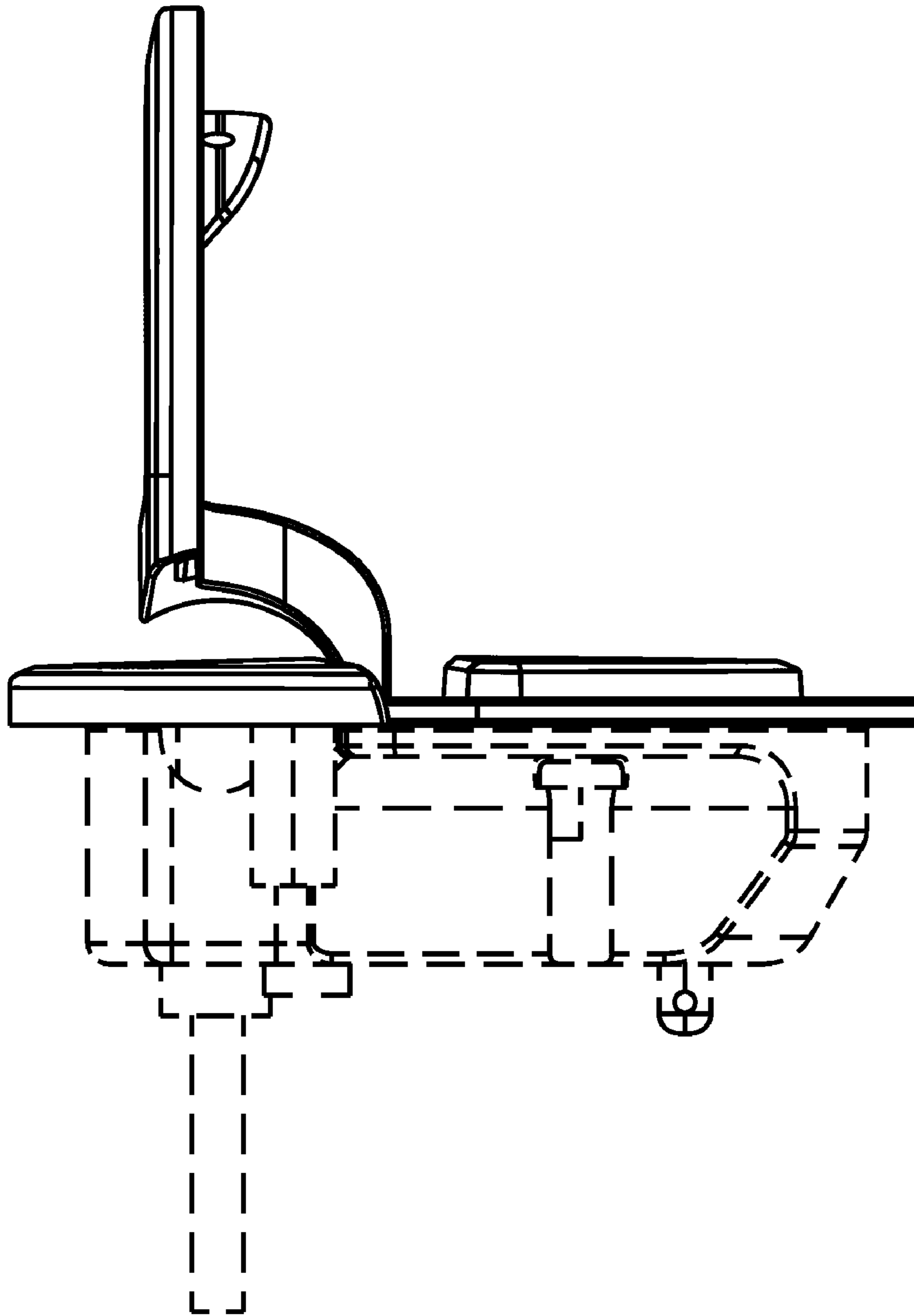


Fig. 8

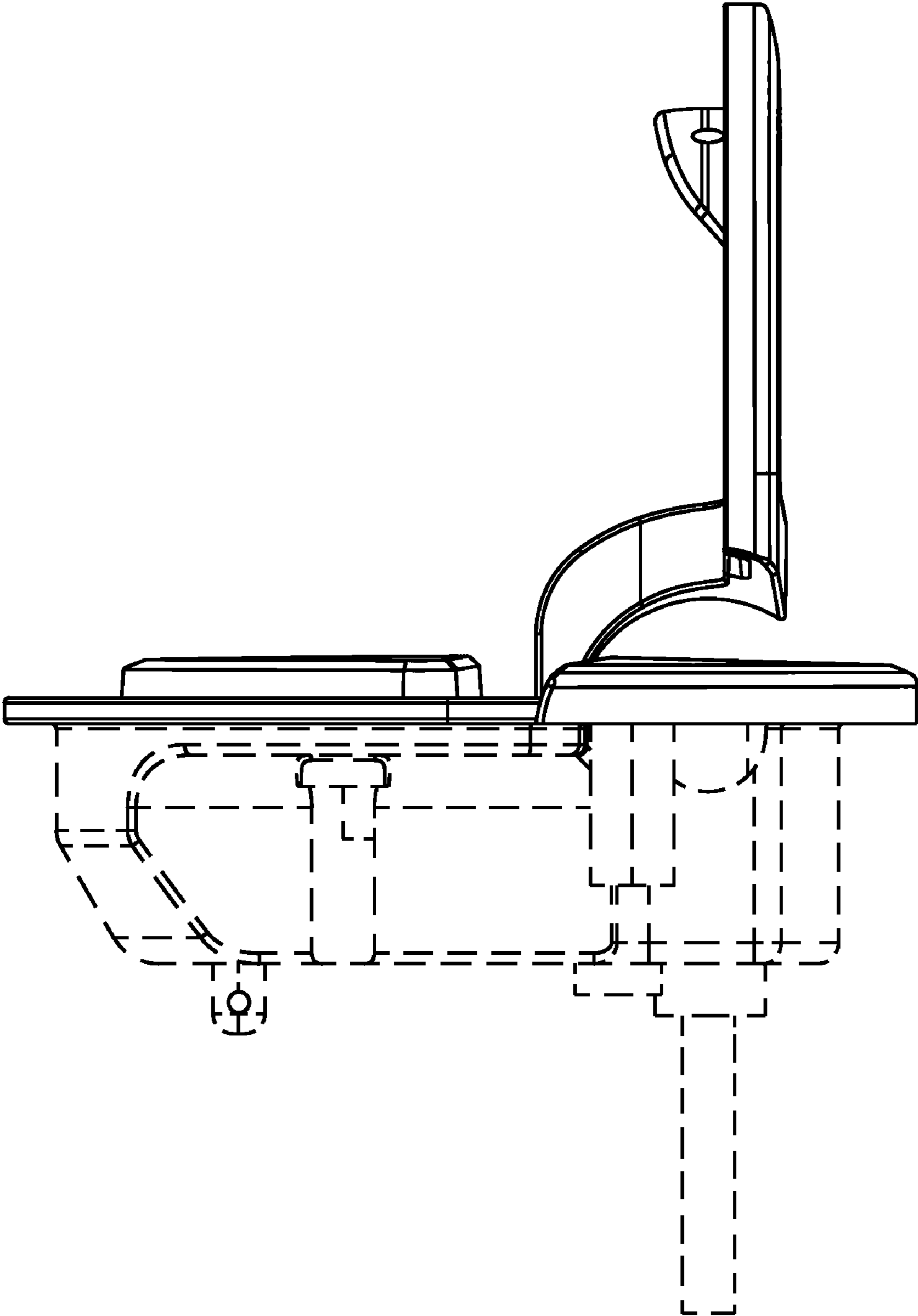


Fig. 9

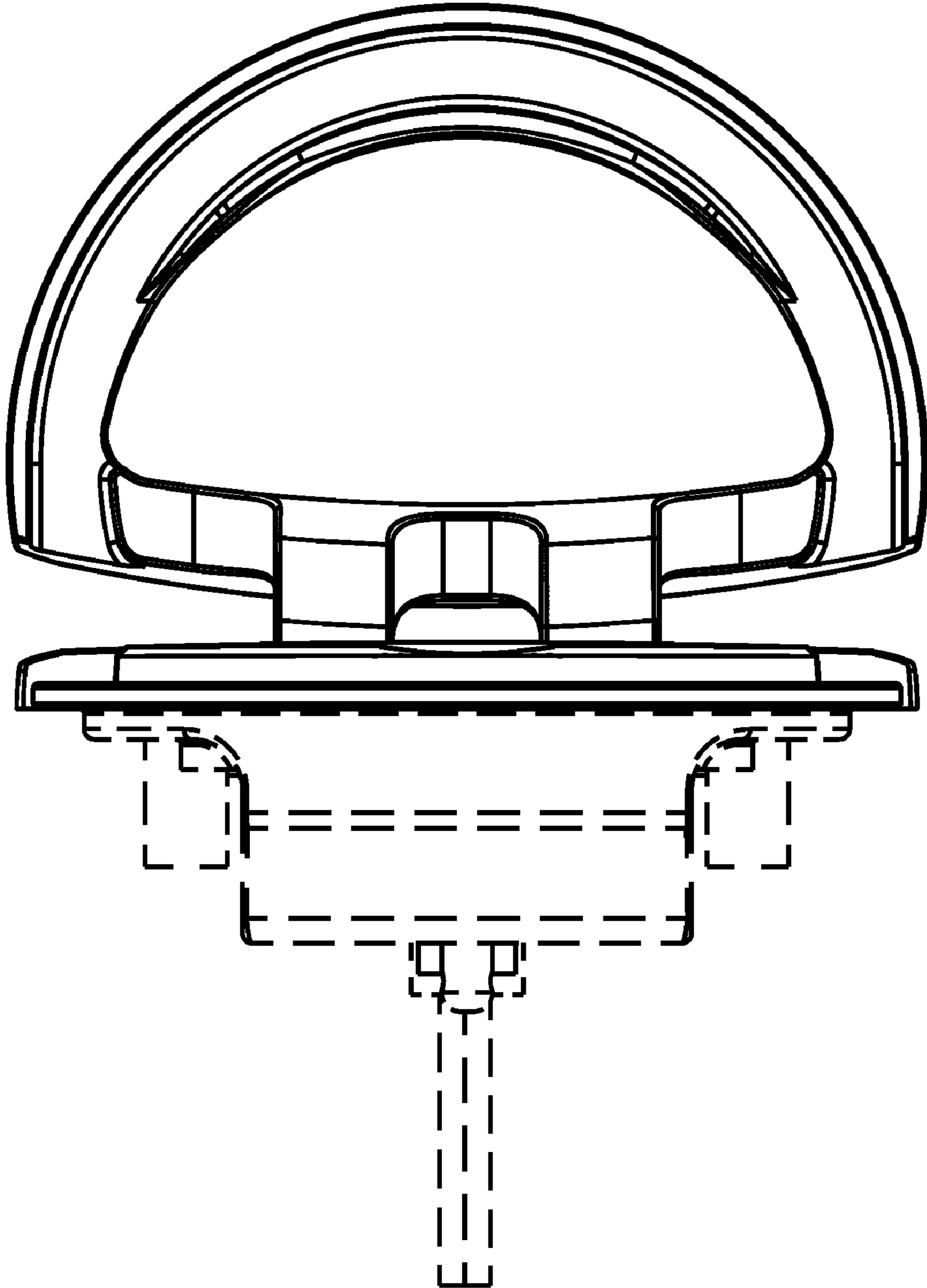


Fig. 10

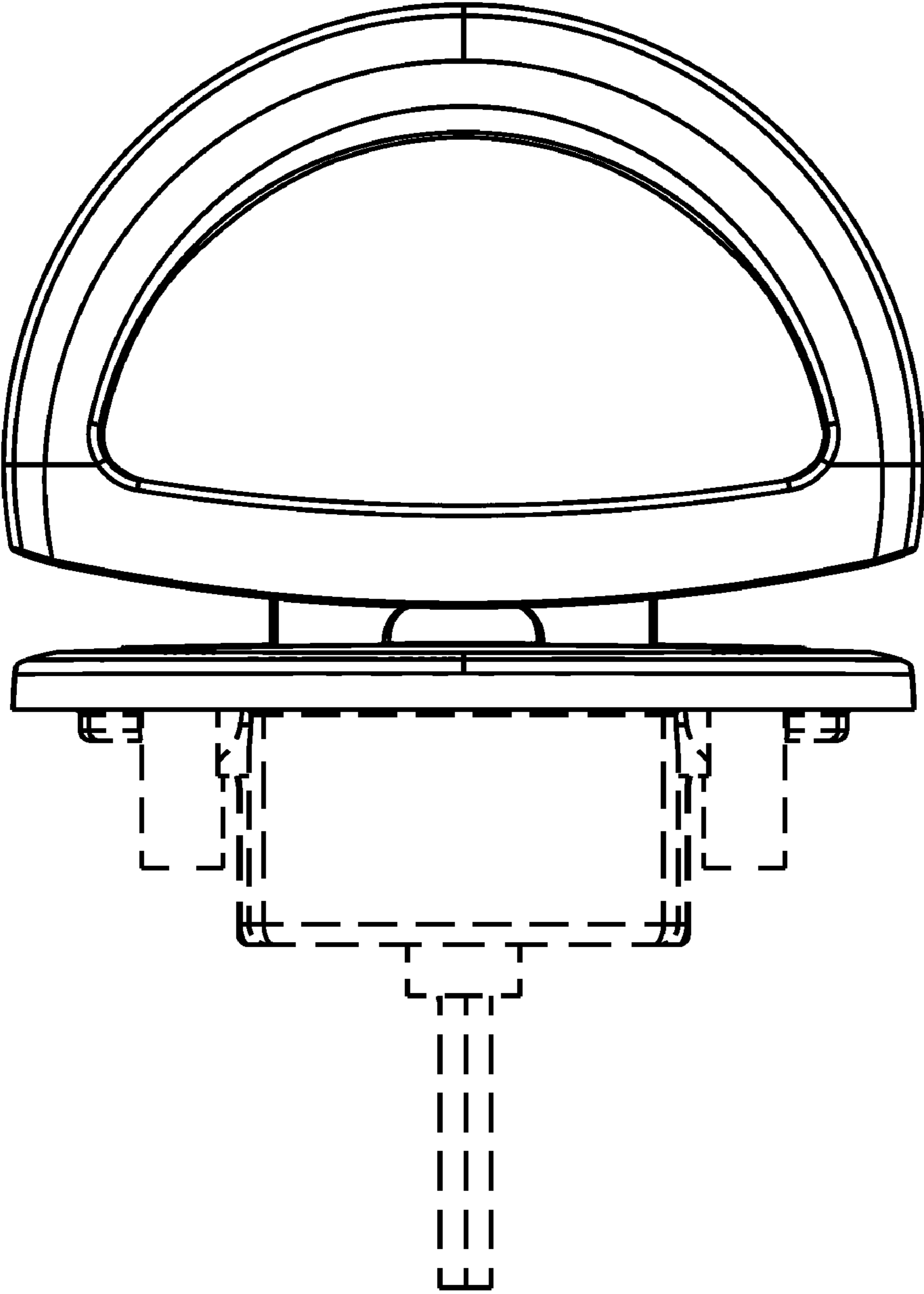


Fig. 11

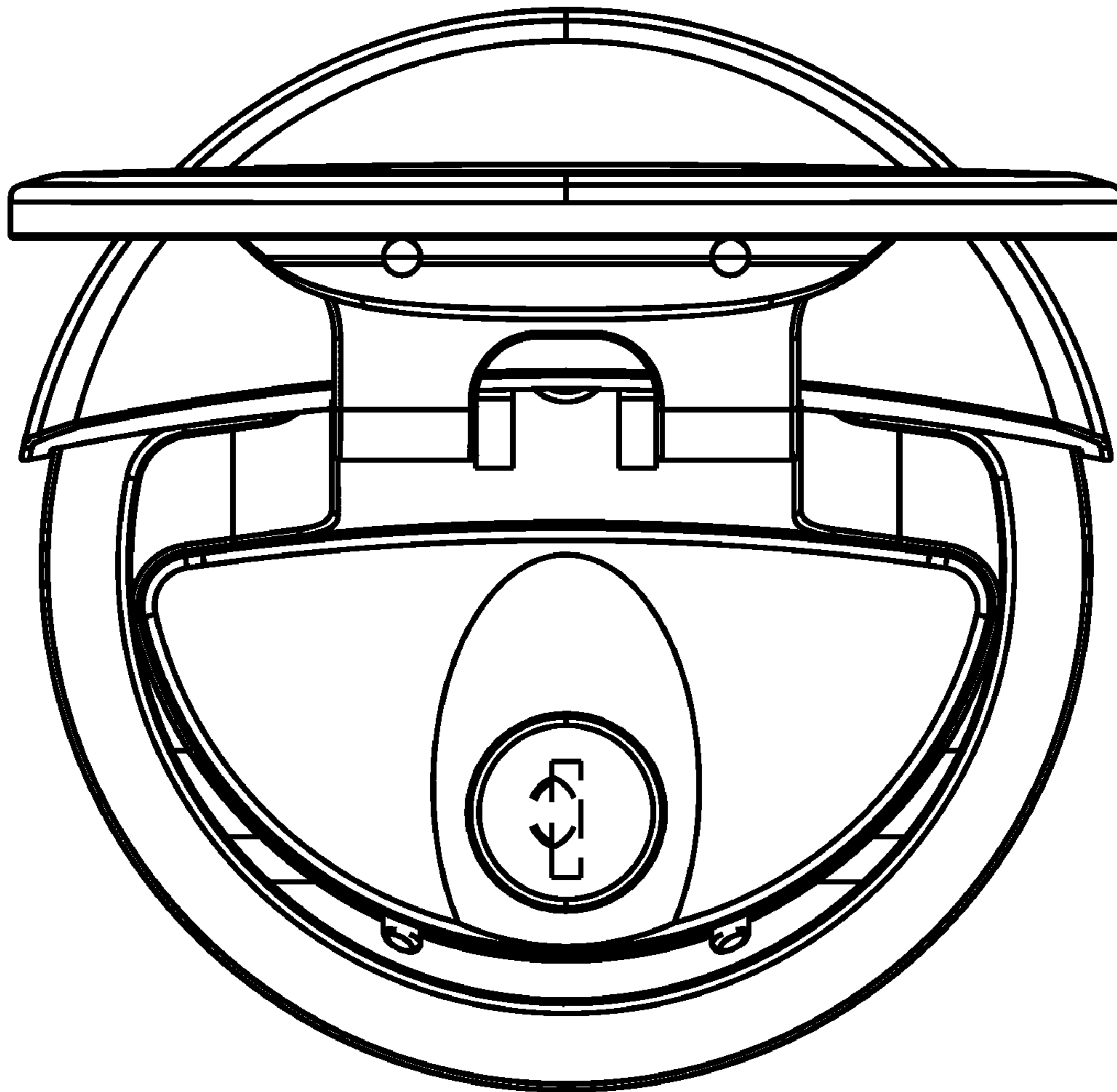


Fig. 12

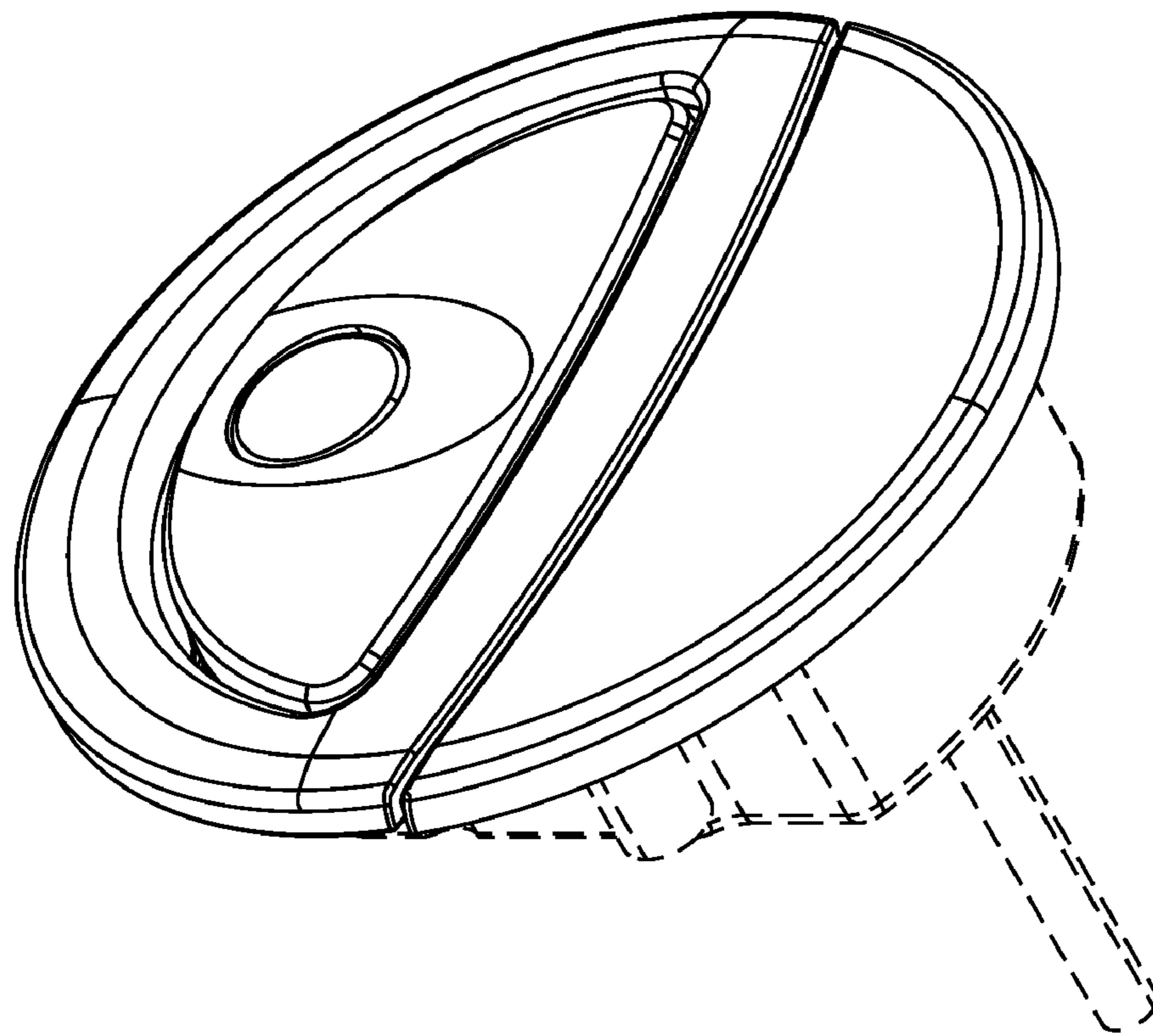


Fig. 13

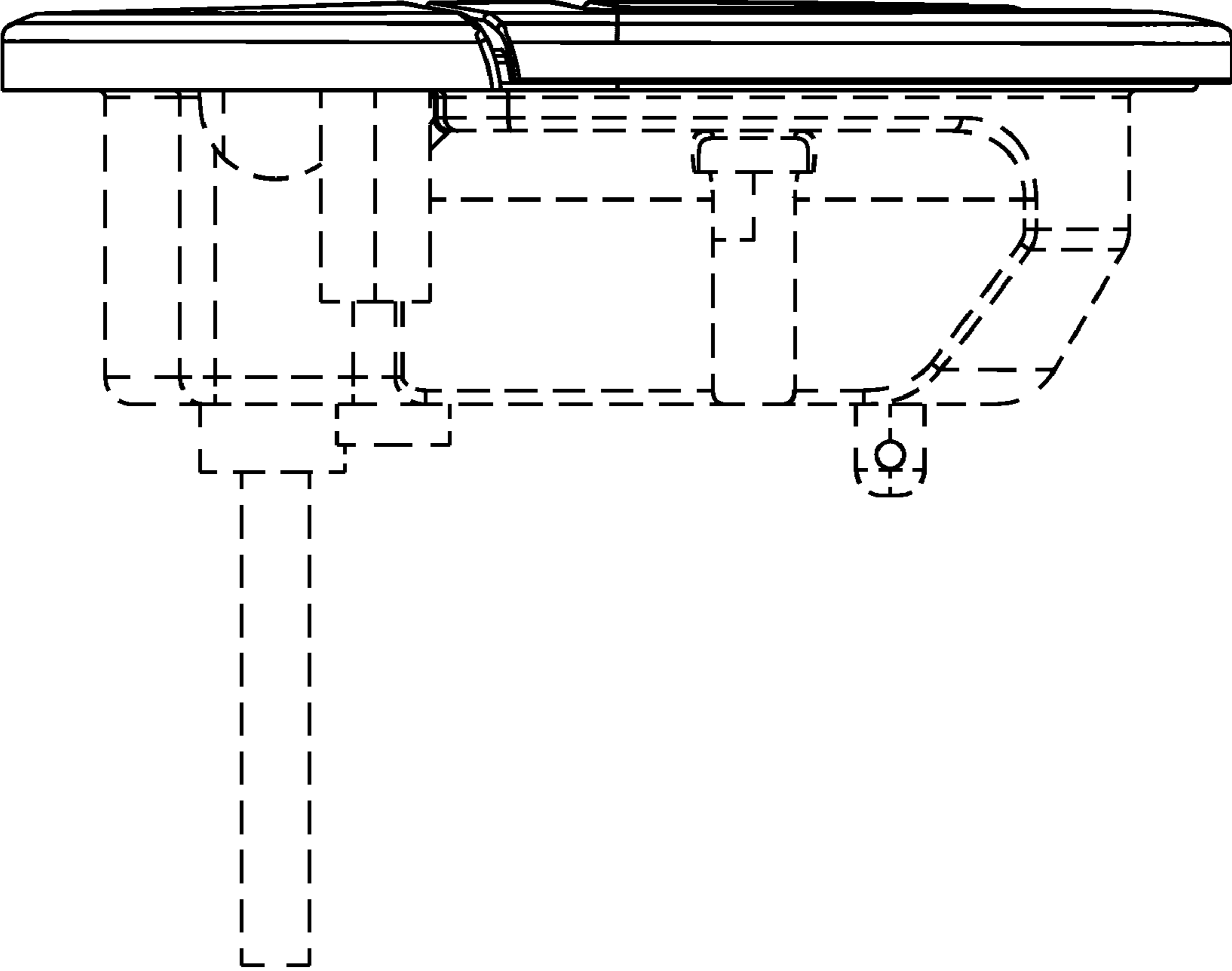


Fig. 14



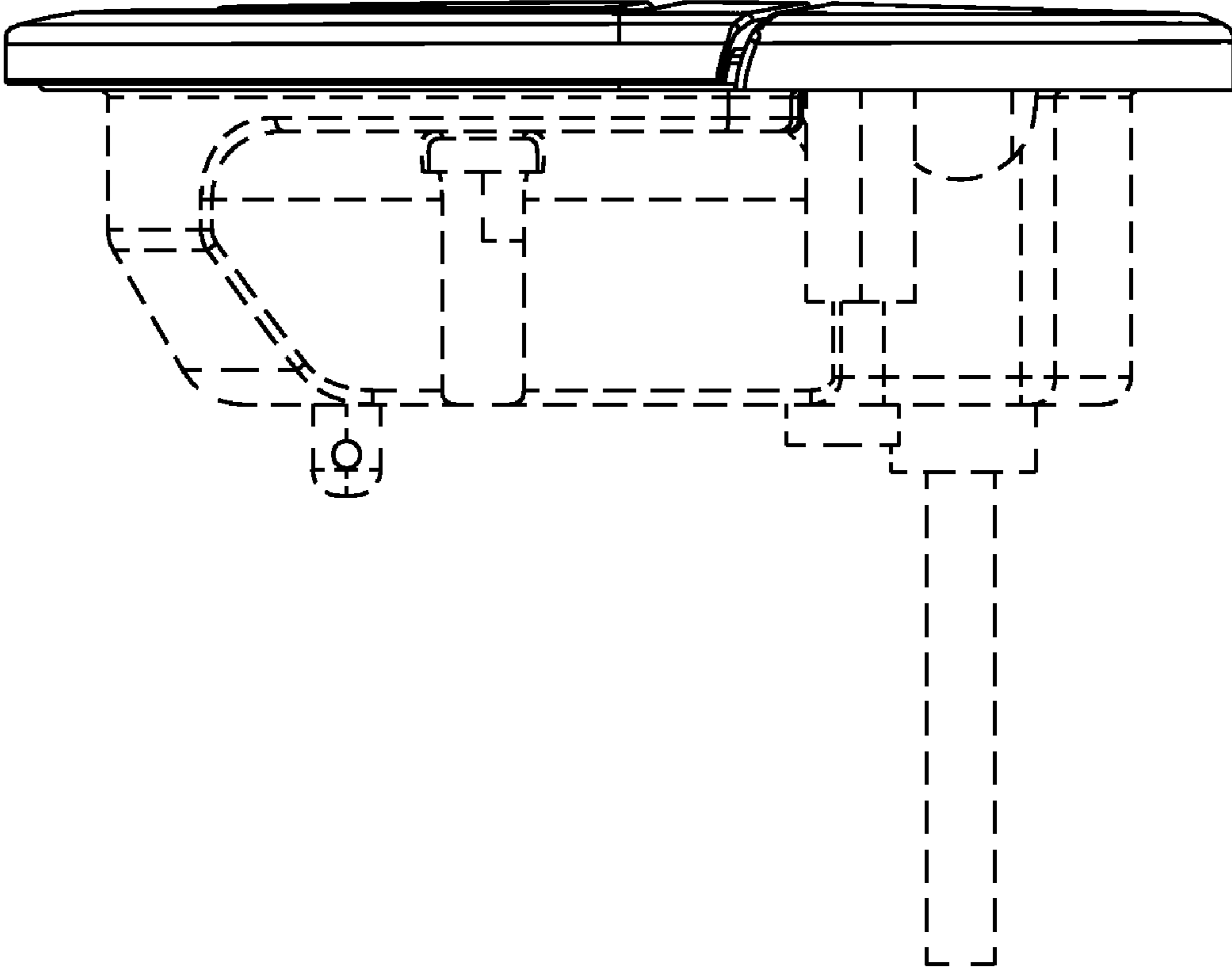


Fig. 15

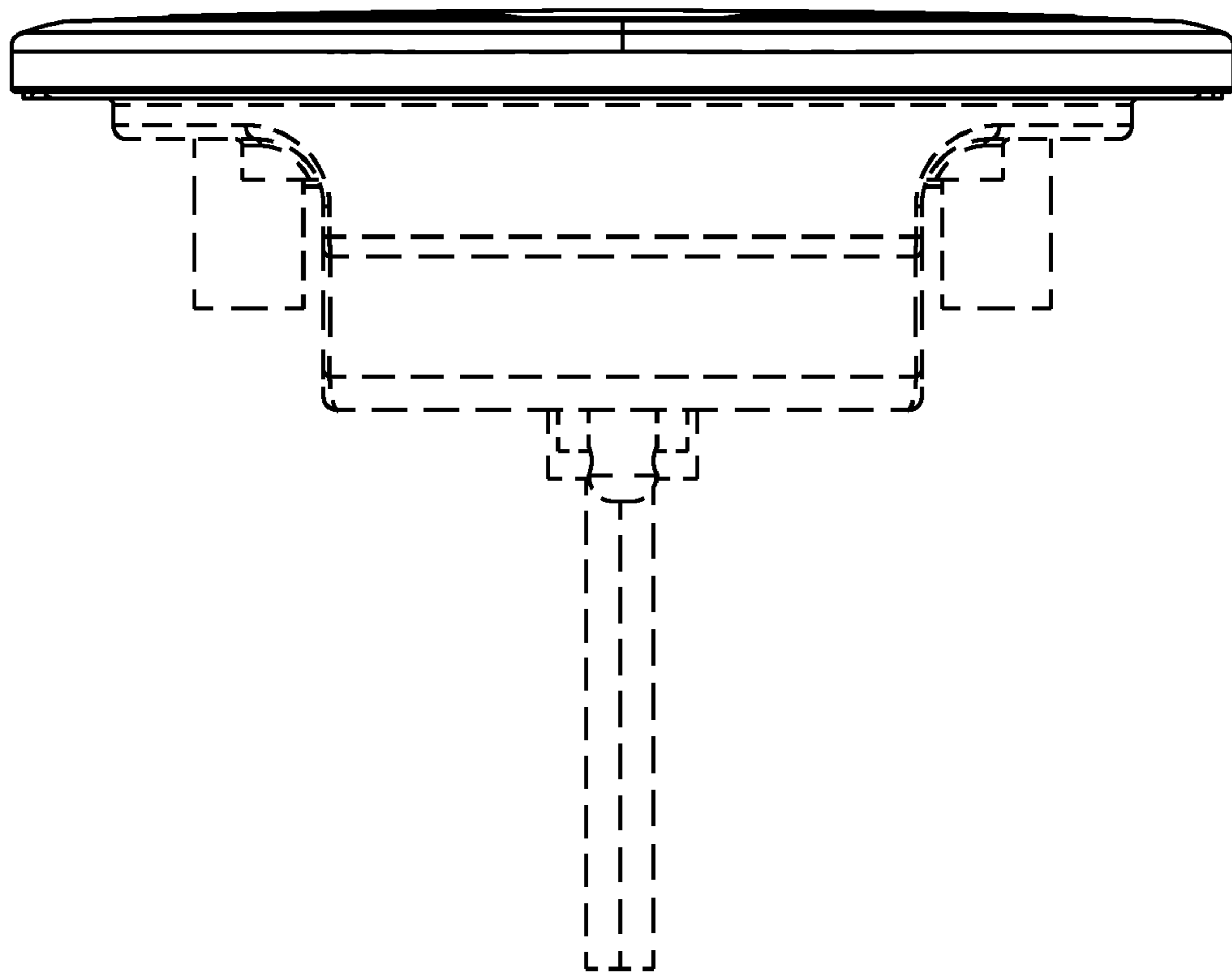


Fig. 16

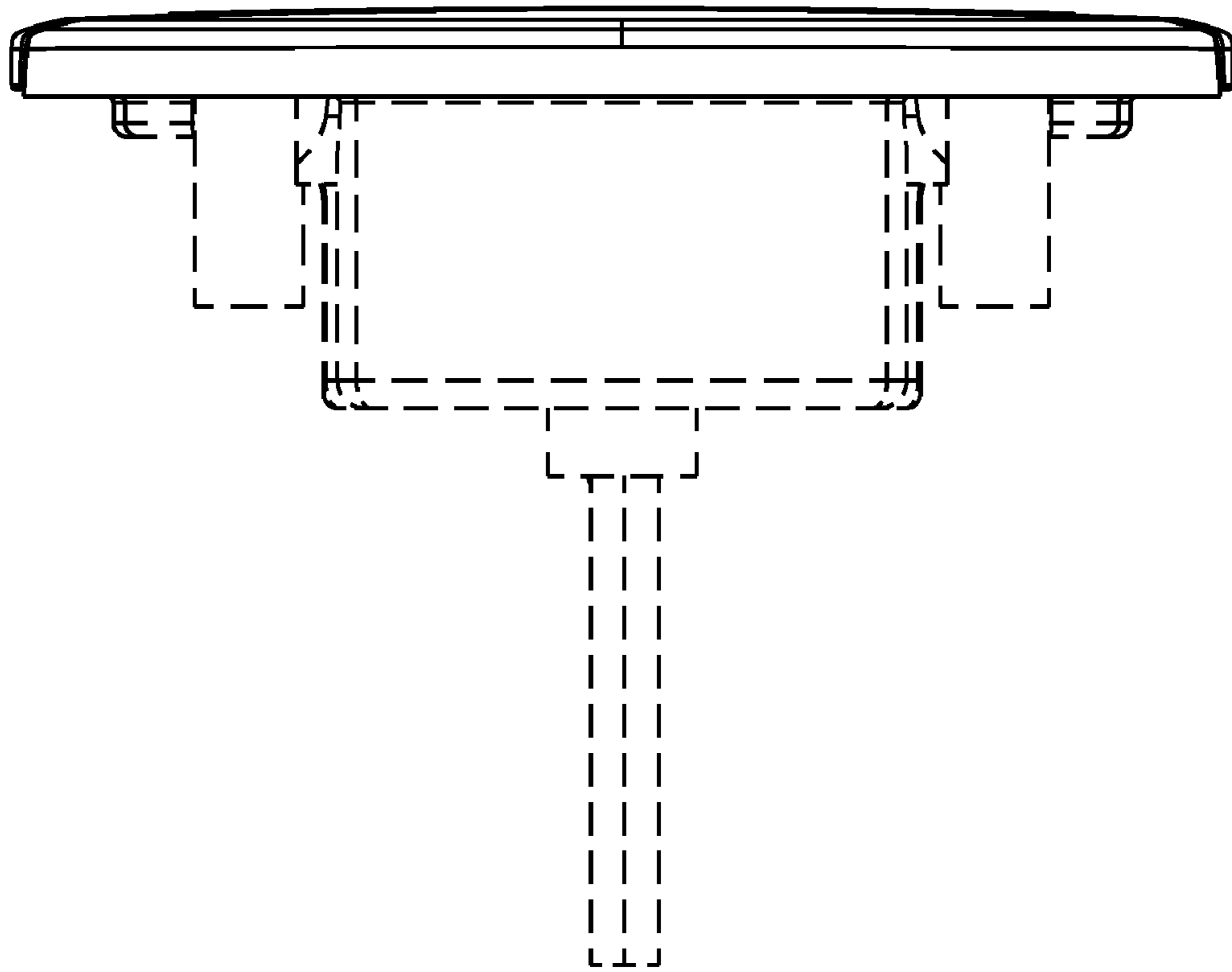


Fig. 17

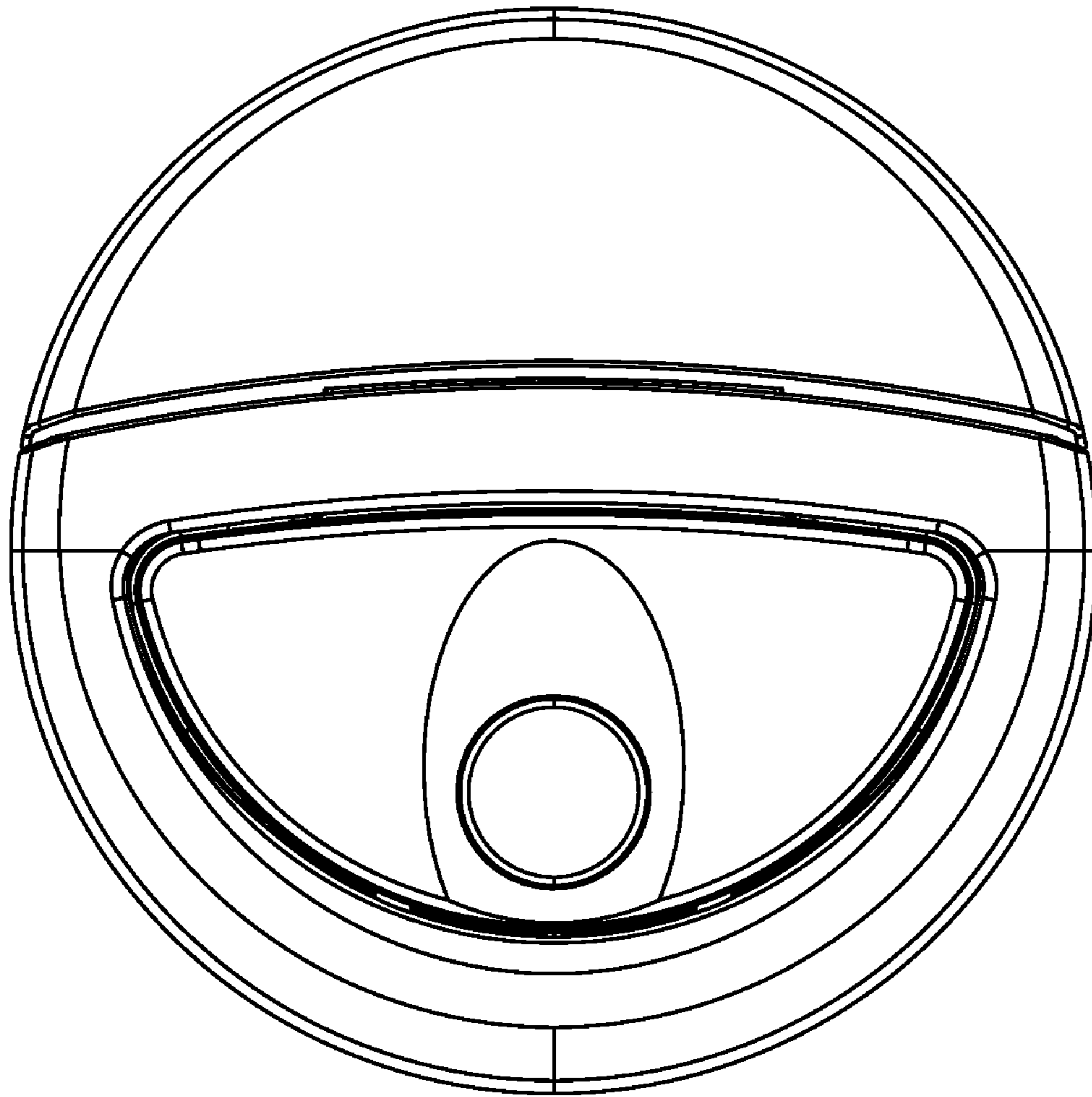


Fig. 18

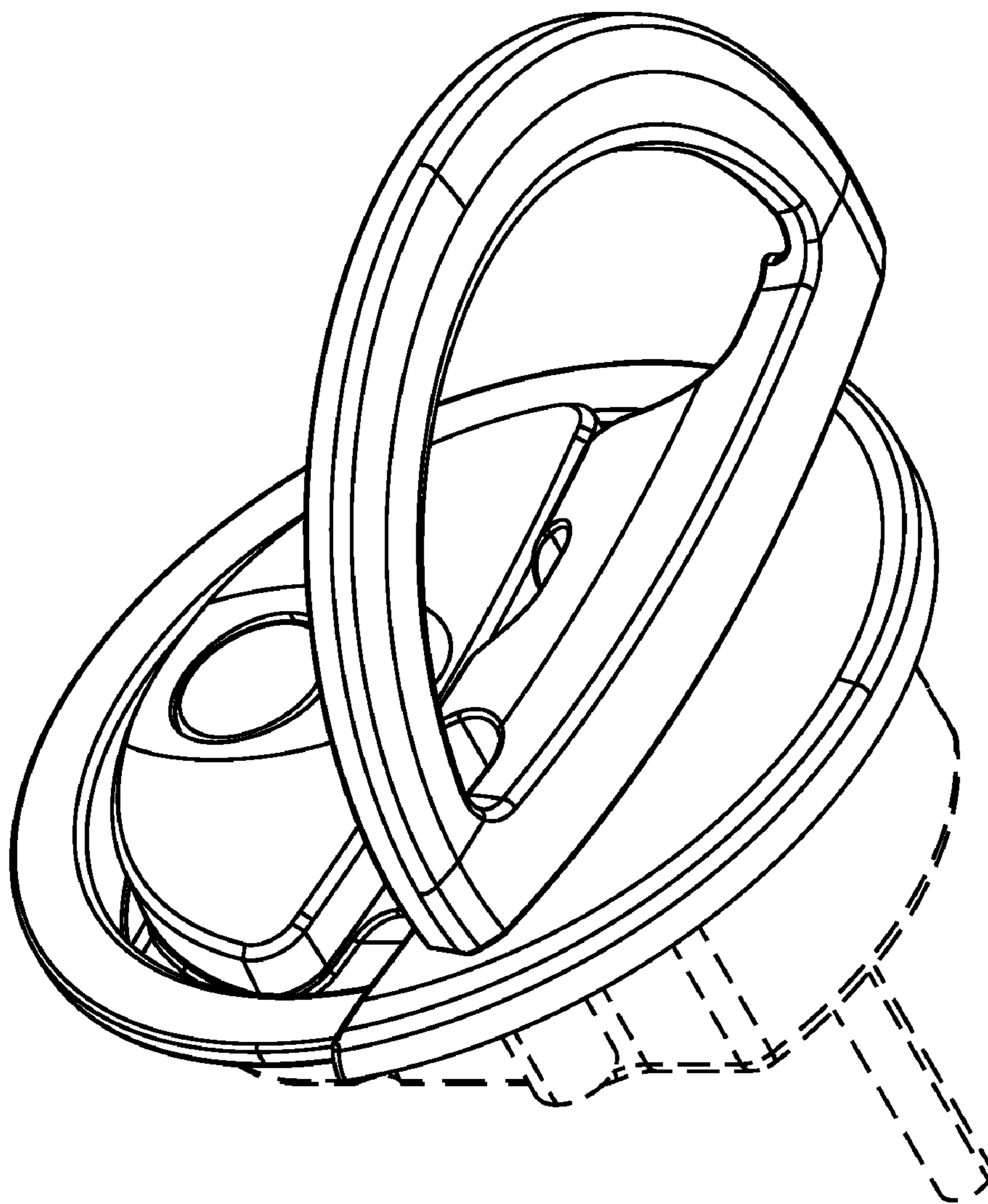


Fig. 19

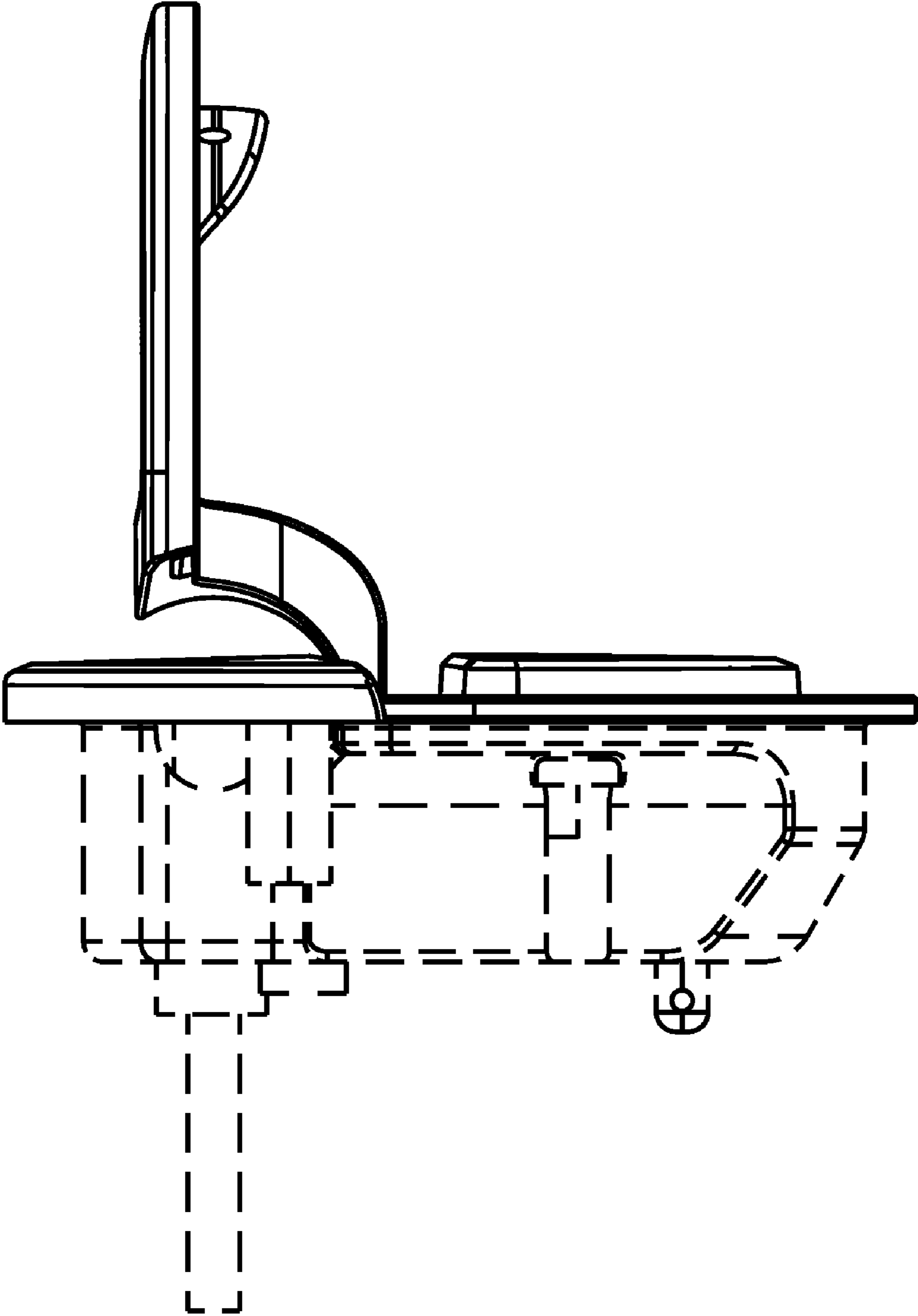


Fig. 20

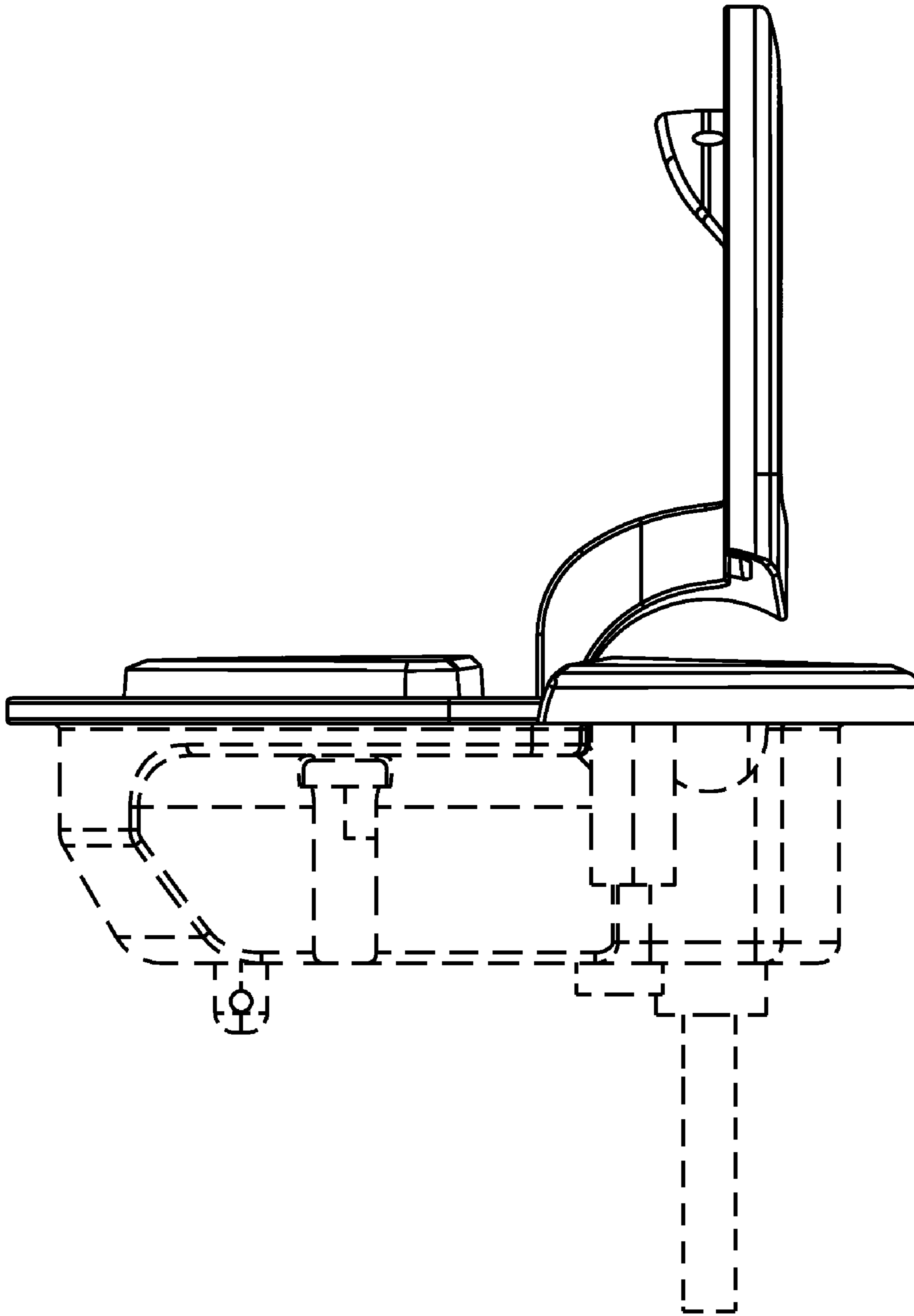


Fig. 21

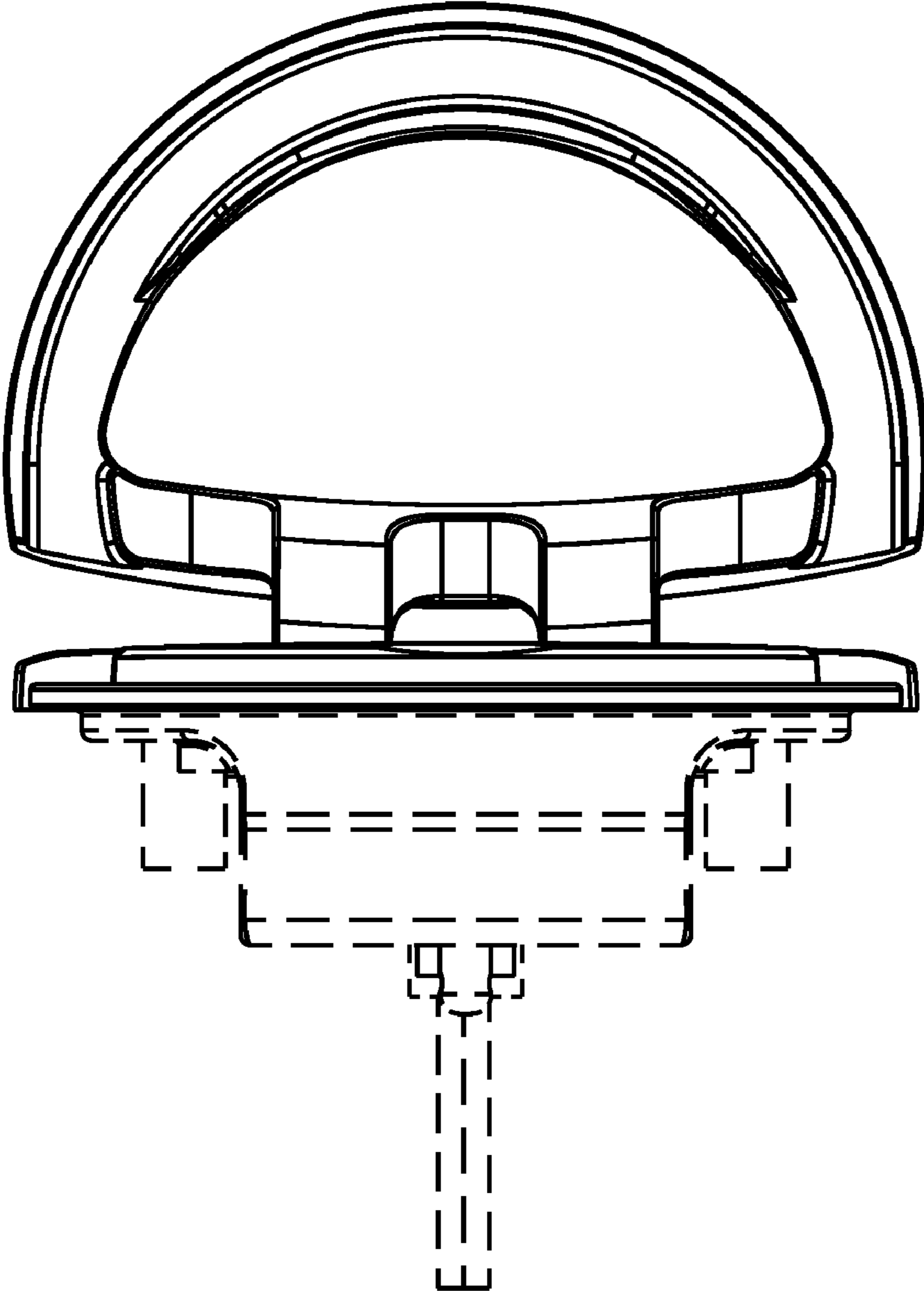


Fig. 22



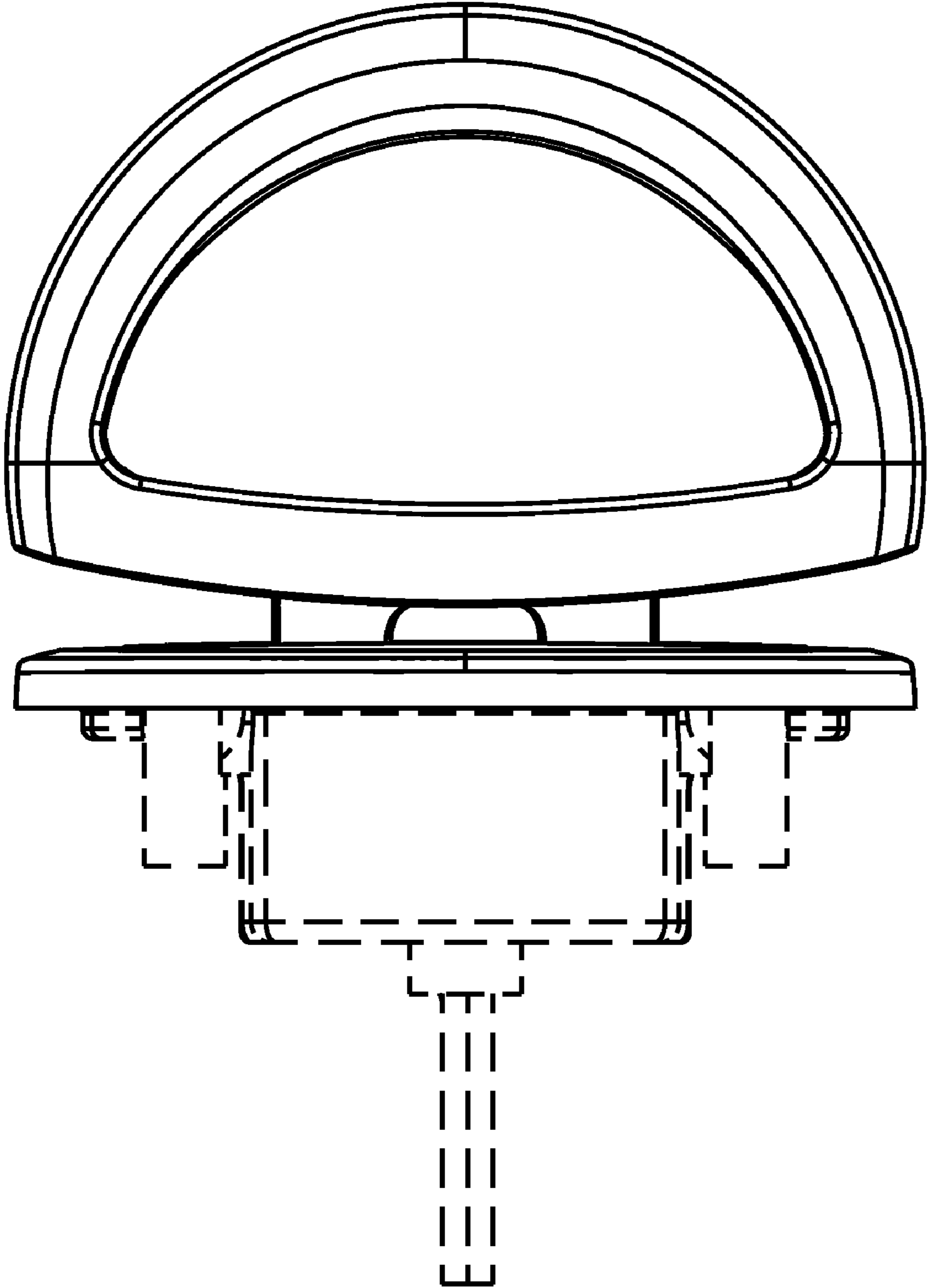


Fig. 23

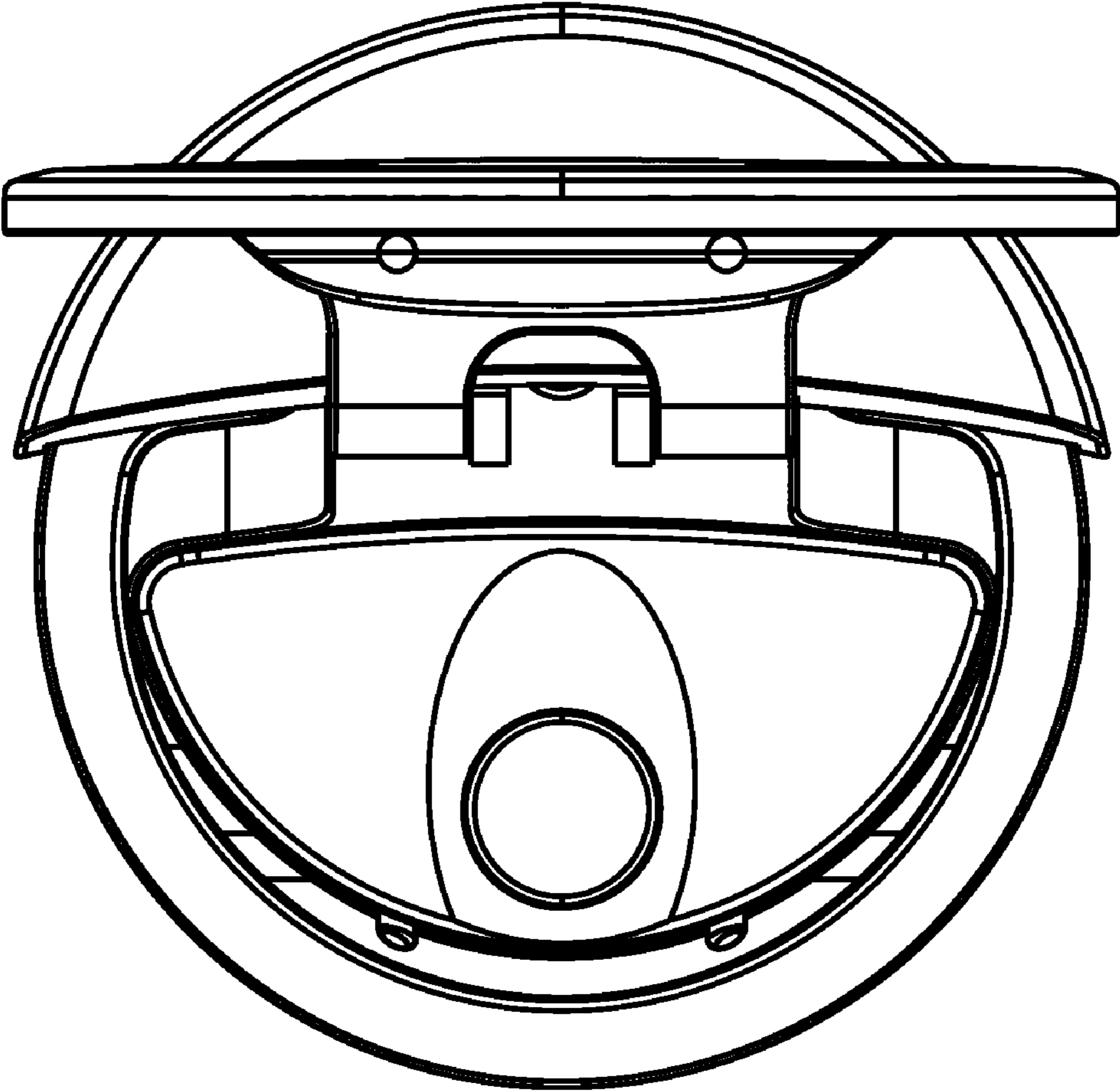


Fig. 24

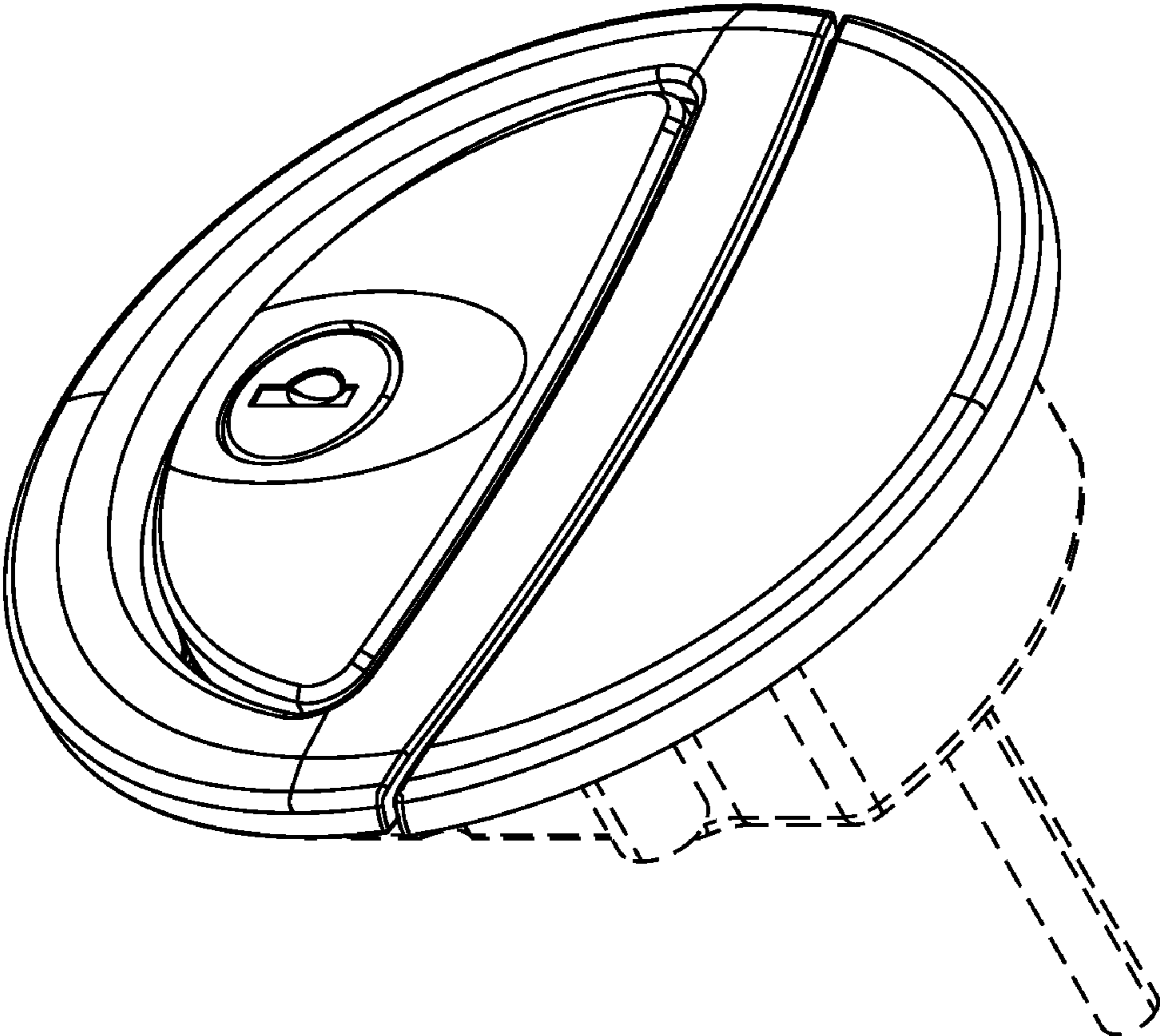


Fig. 25

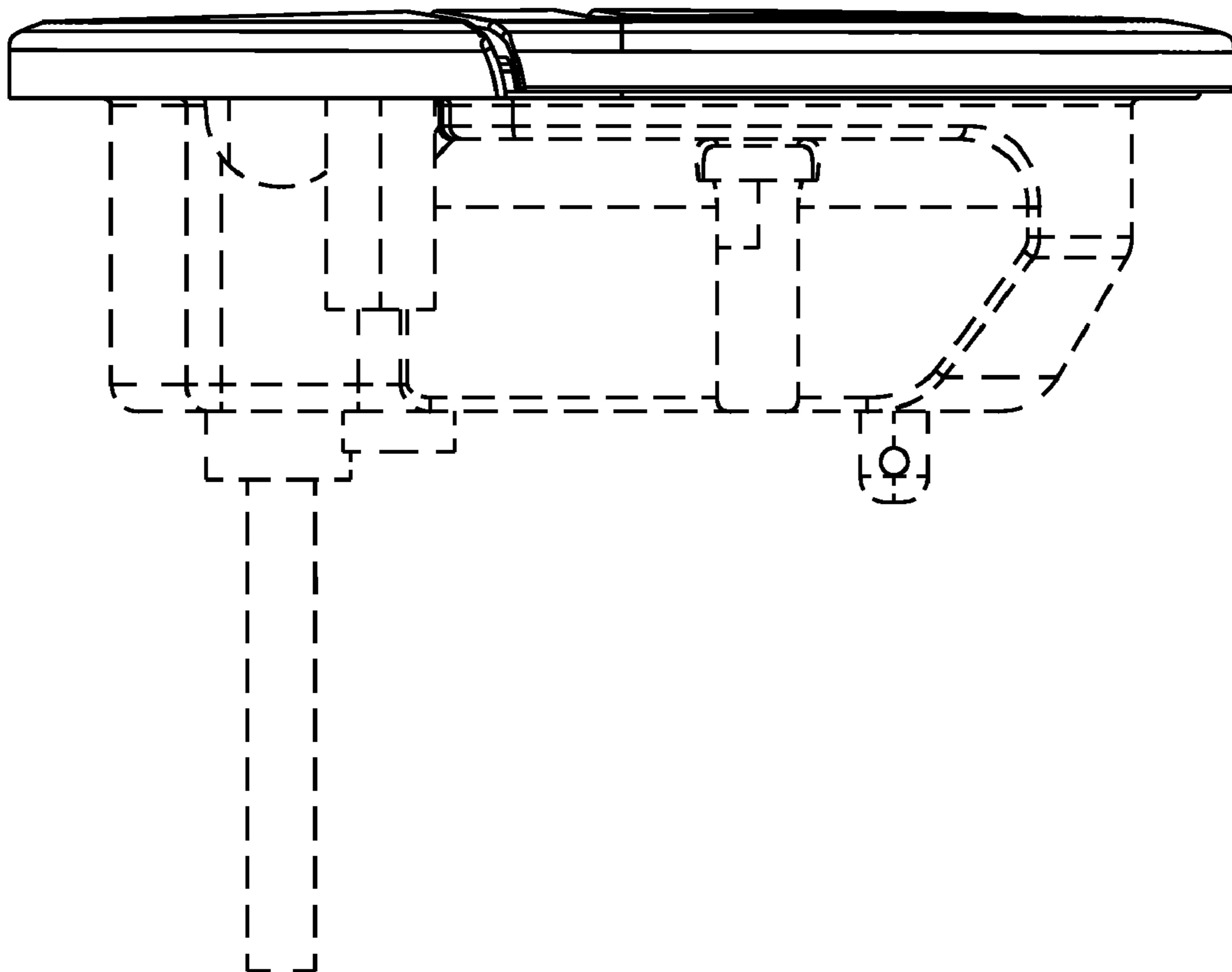


Fig. 26

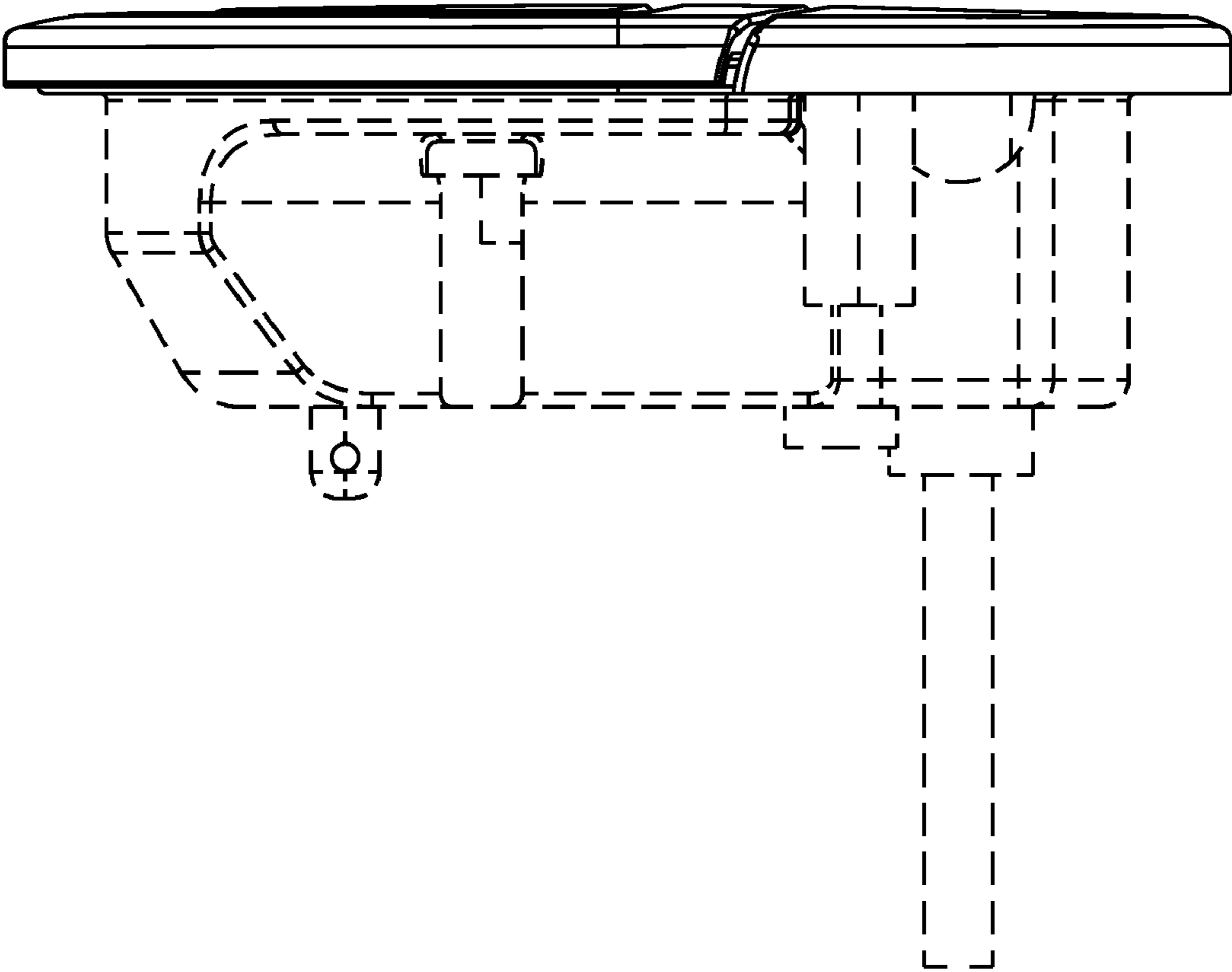


Fig. 27

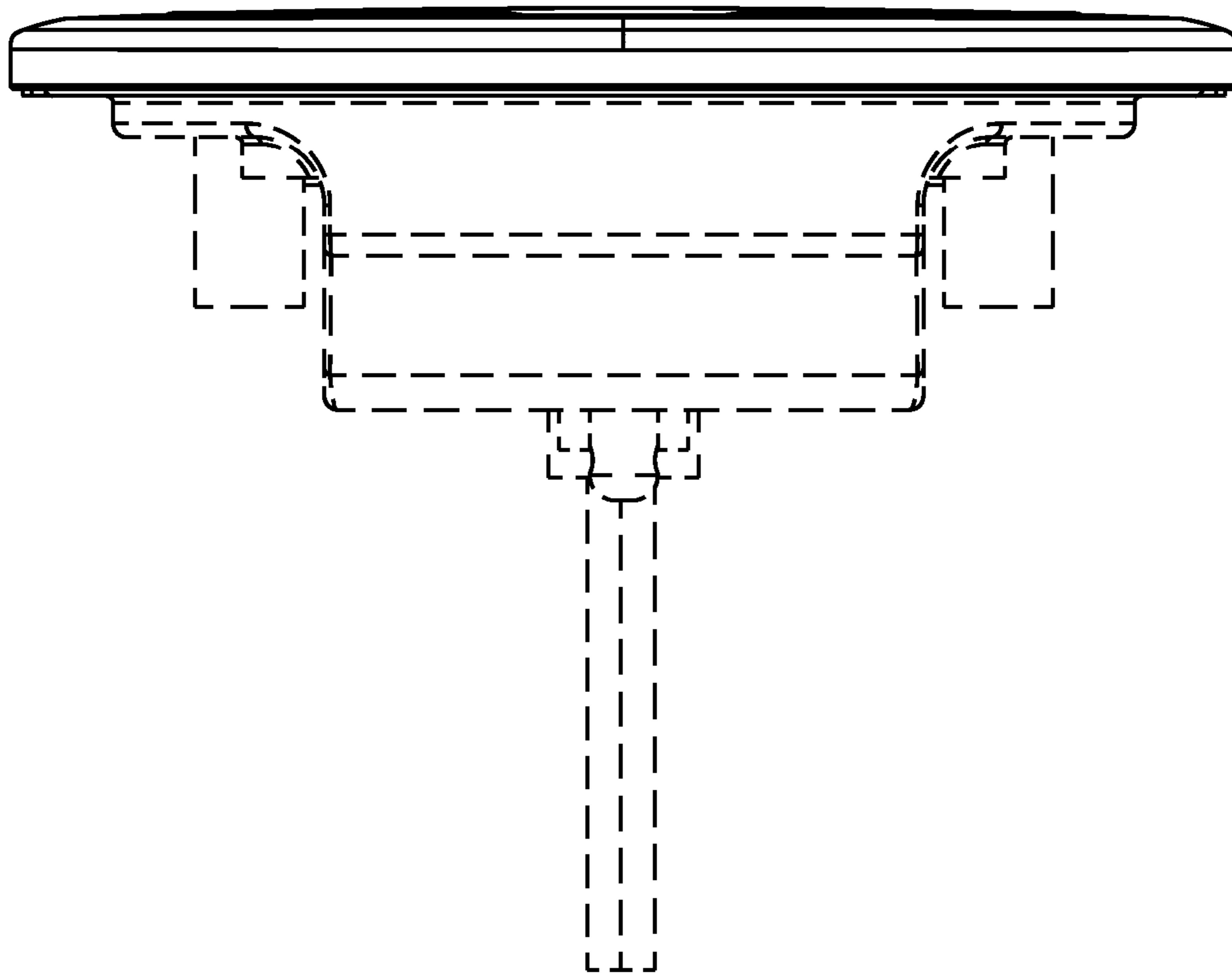


Fig. 28

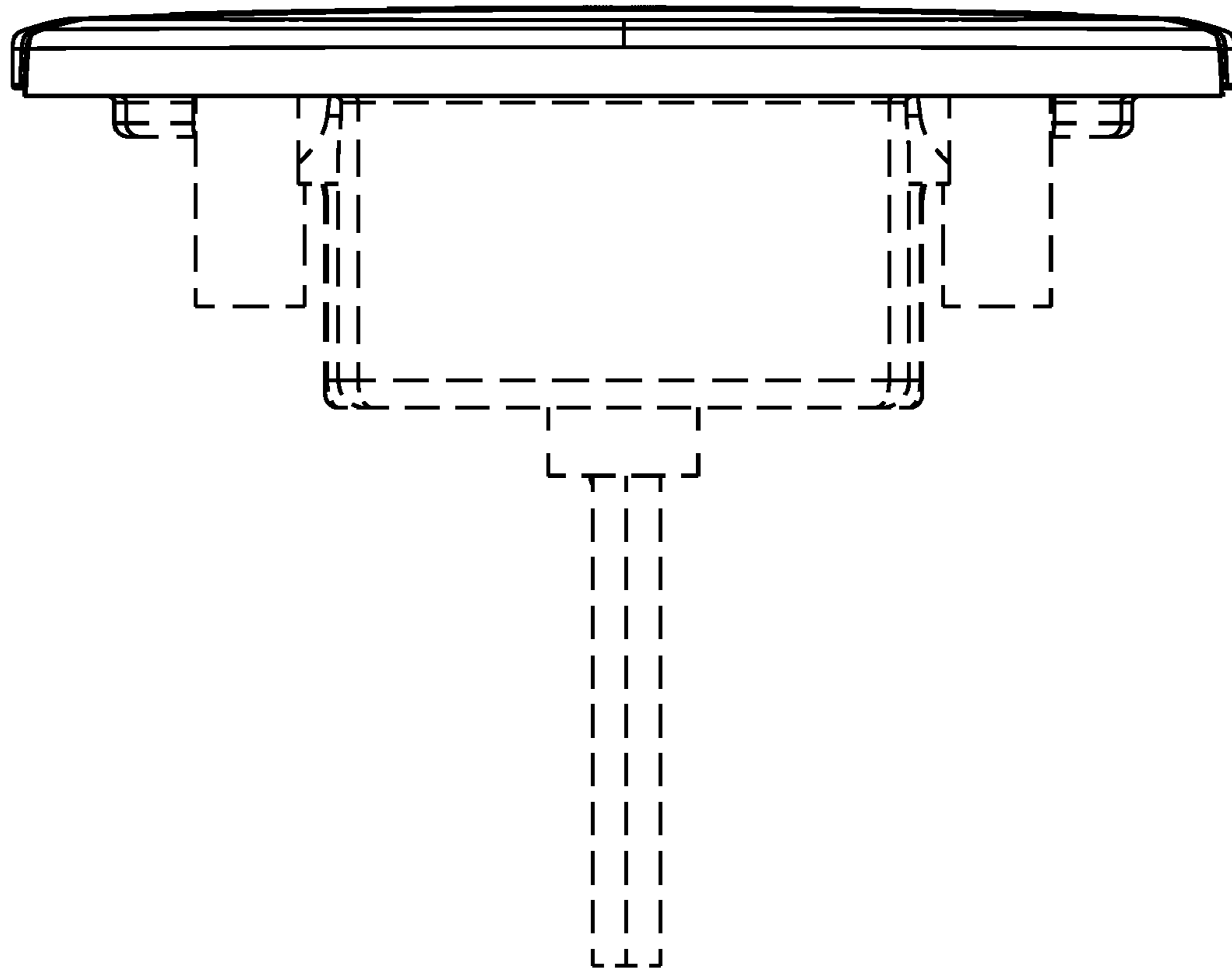


Fig. 29

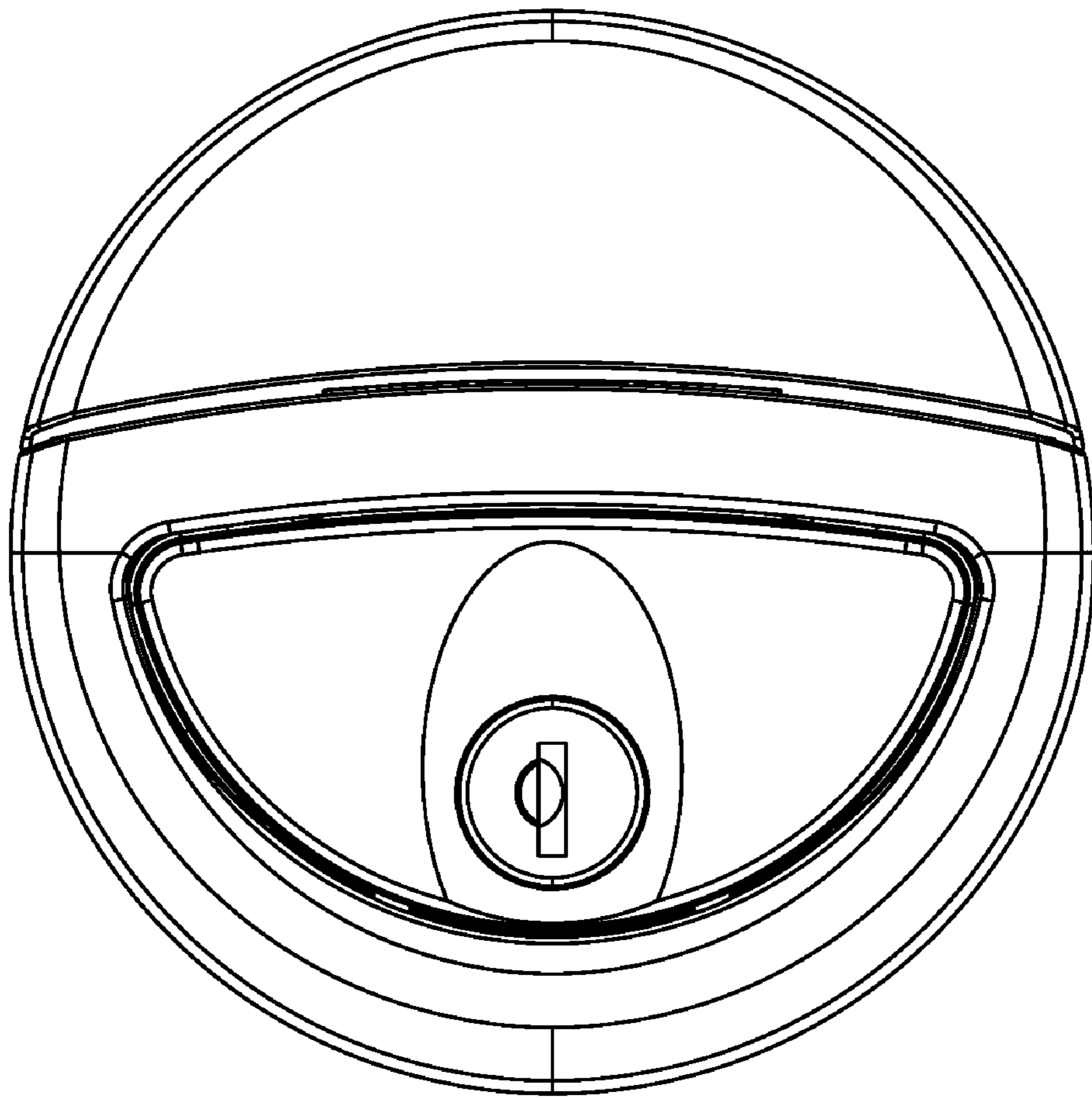


Fig. 30



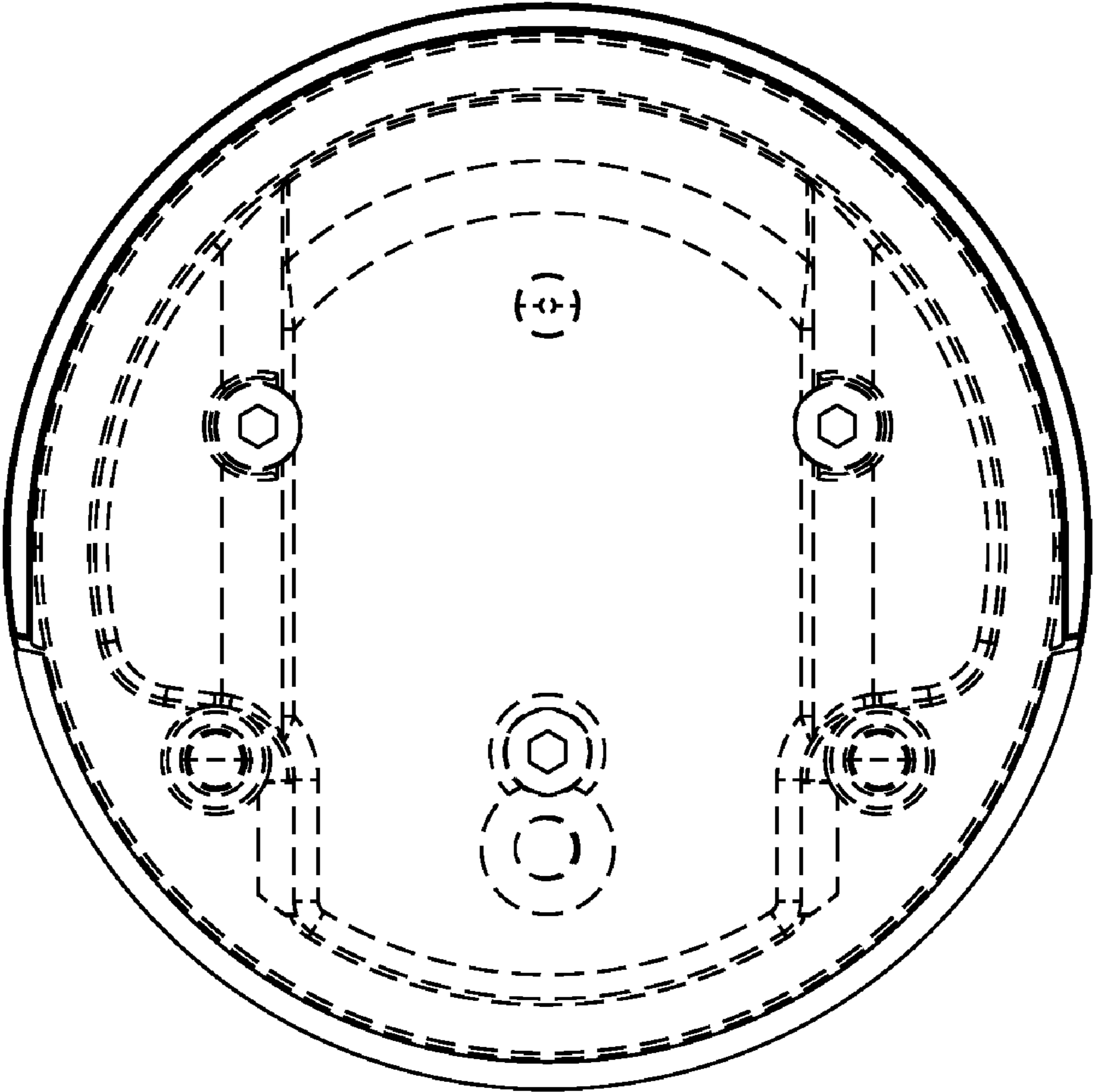


Fig. 31

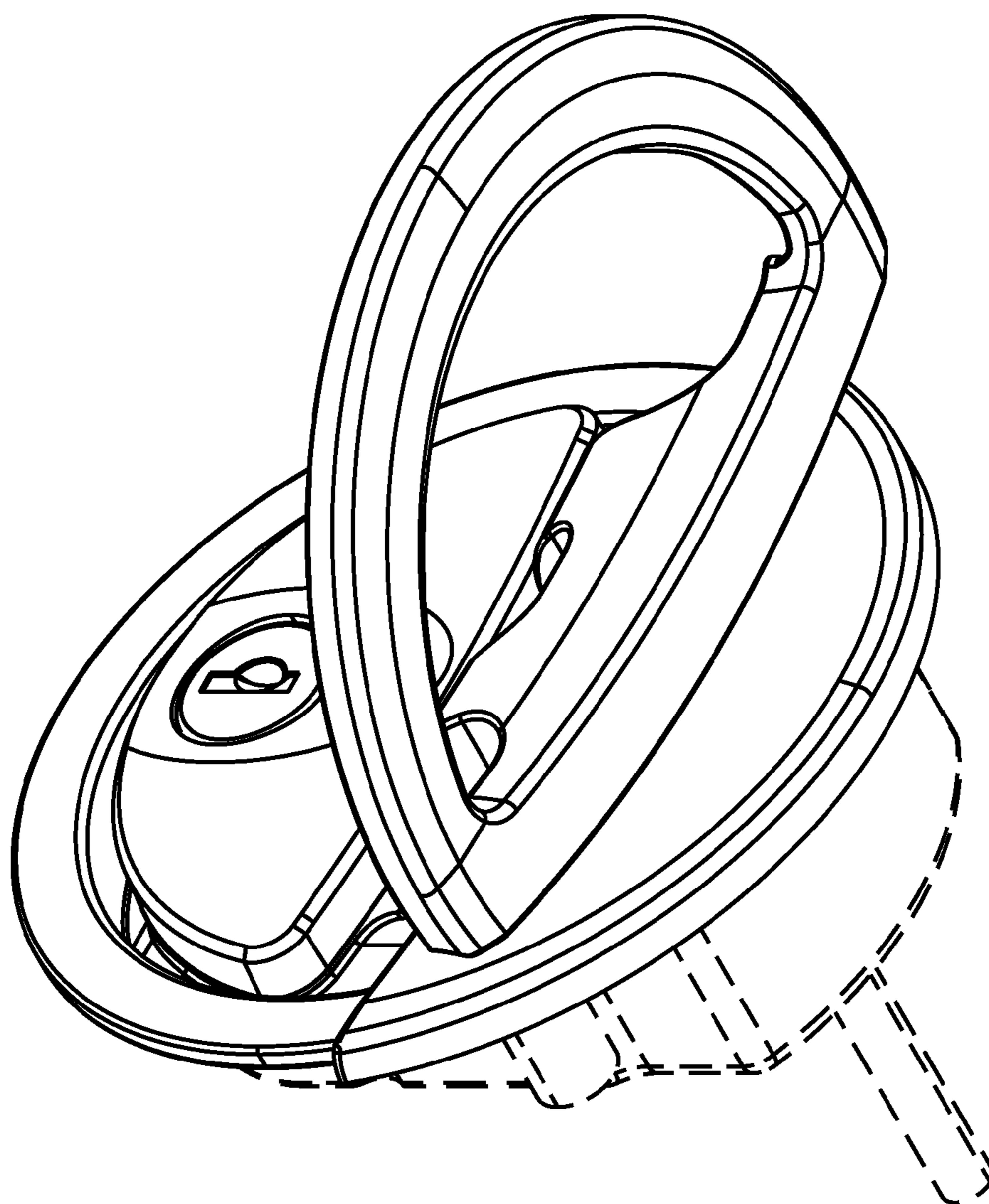


Fig. 32

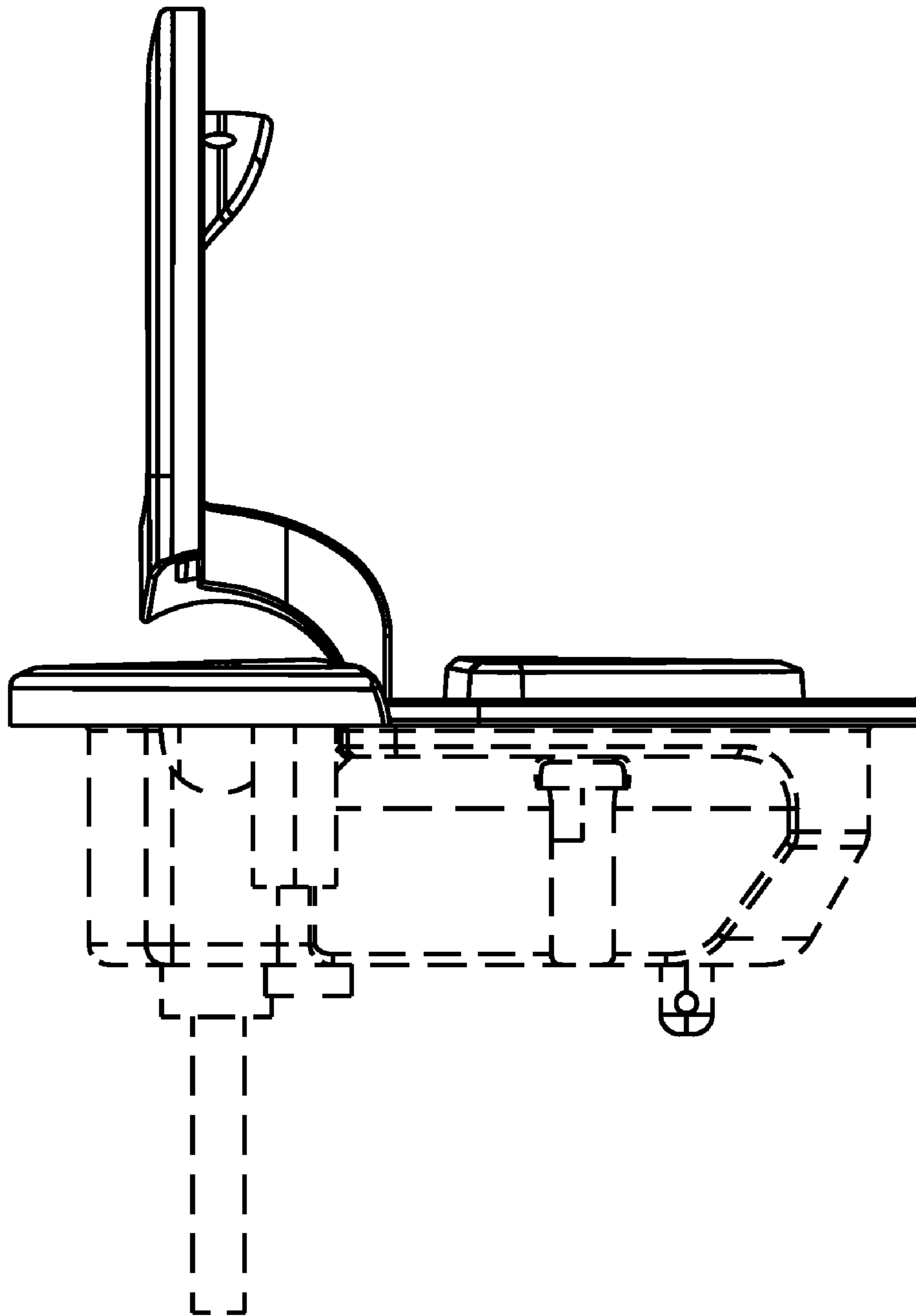


Fig. 33

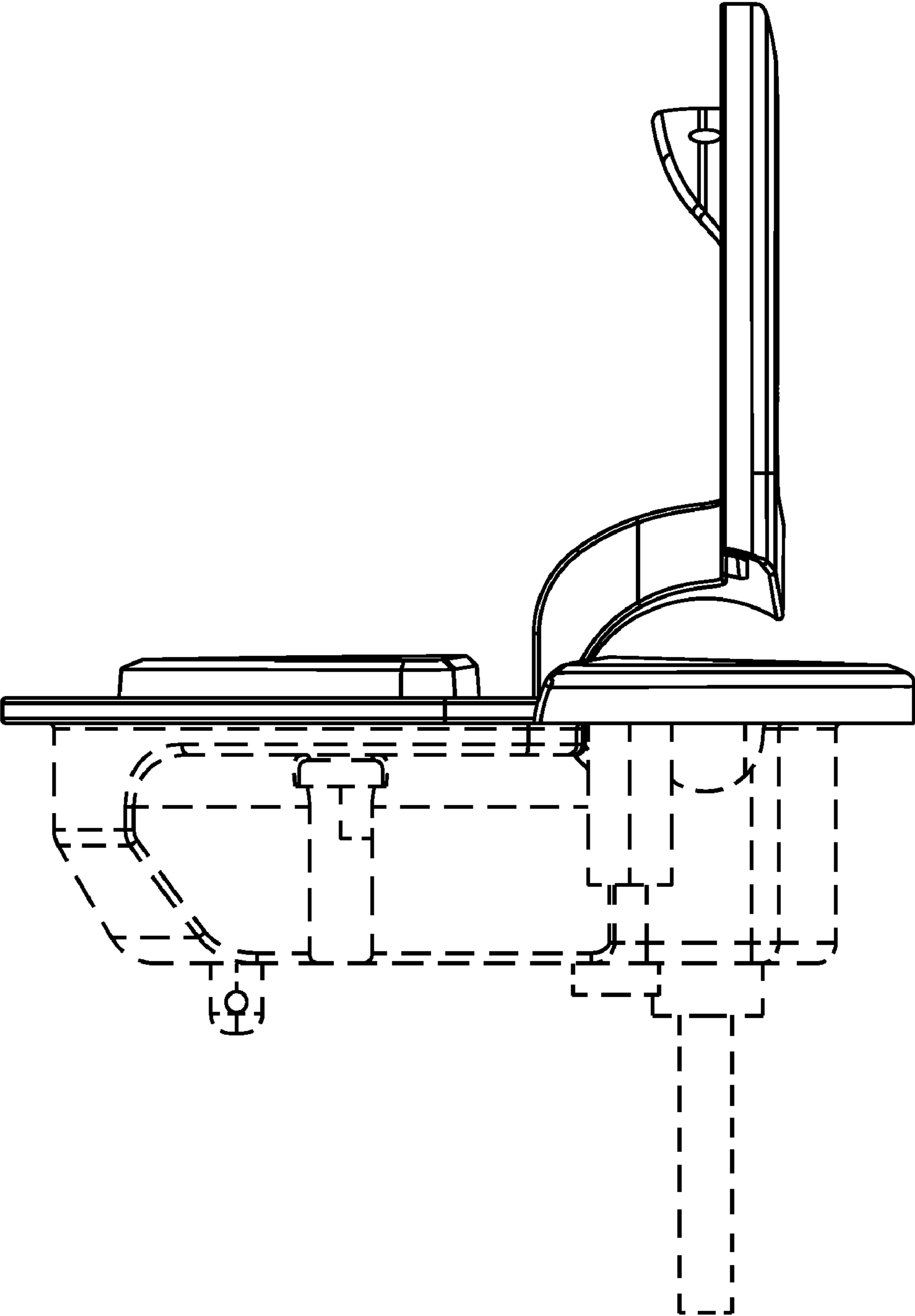


Fig. 34

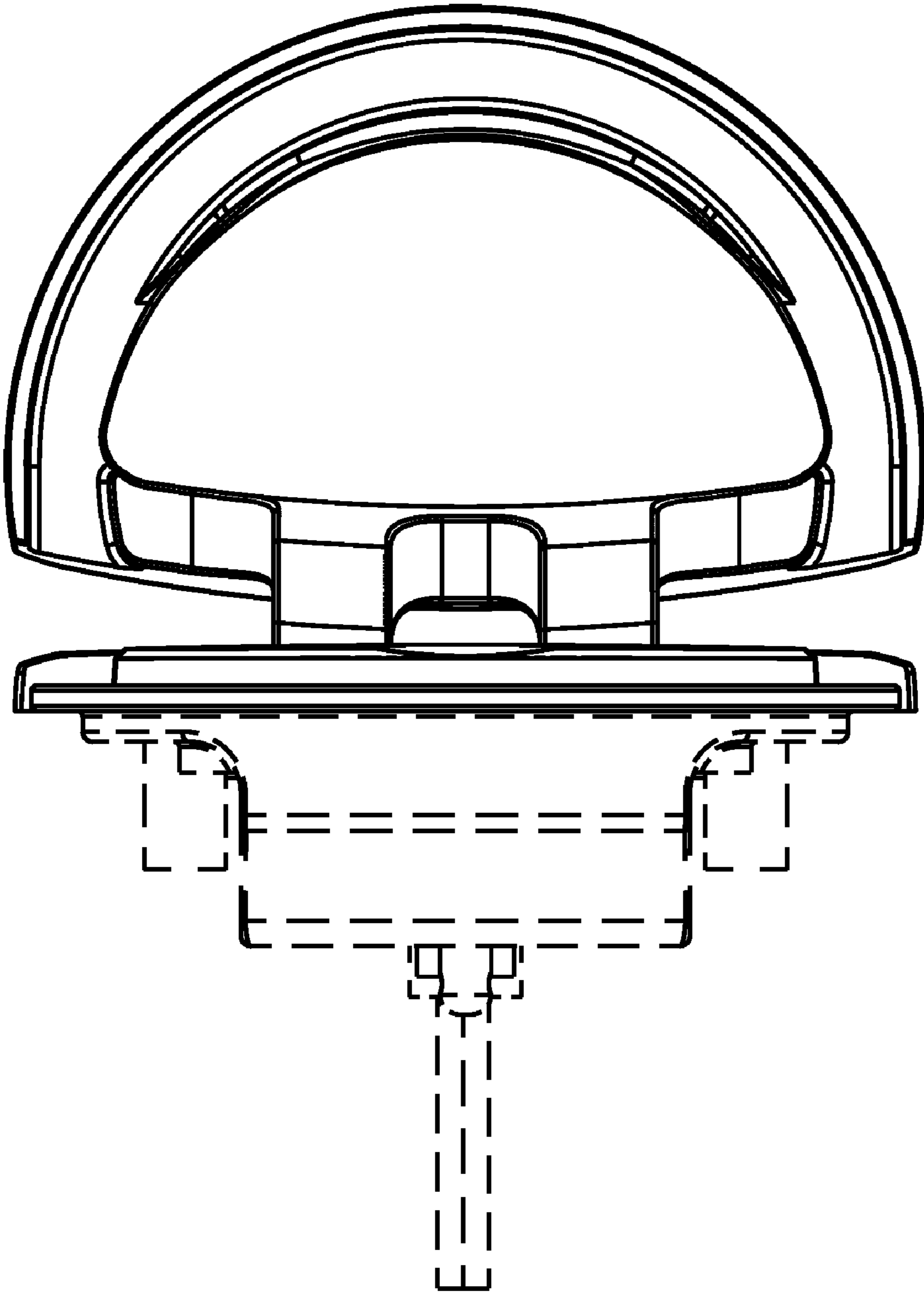


Fig. 35

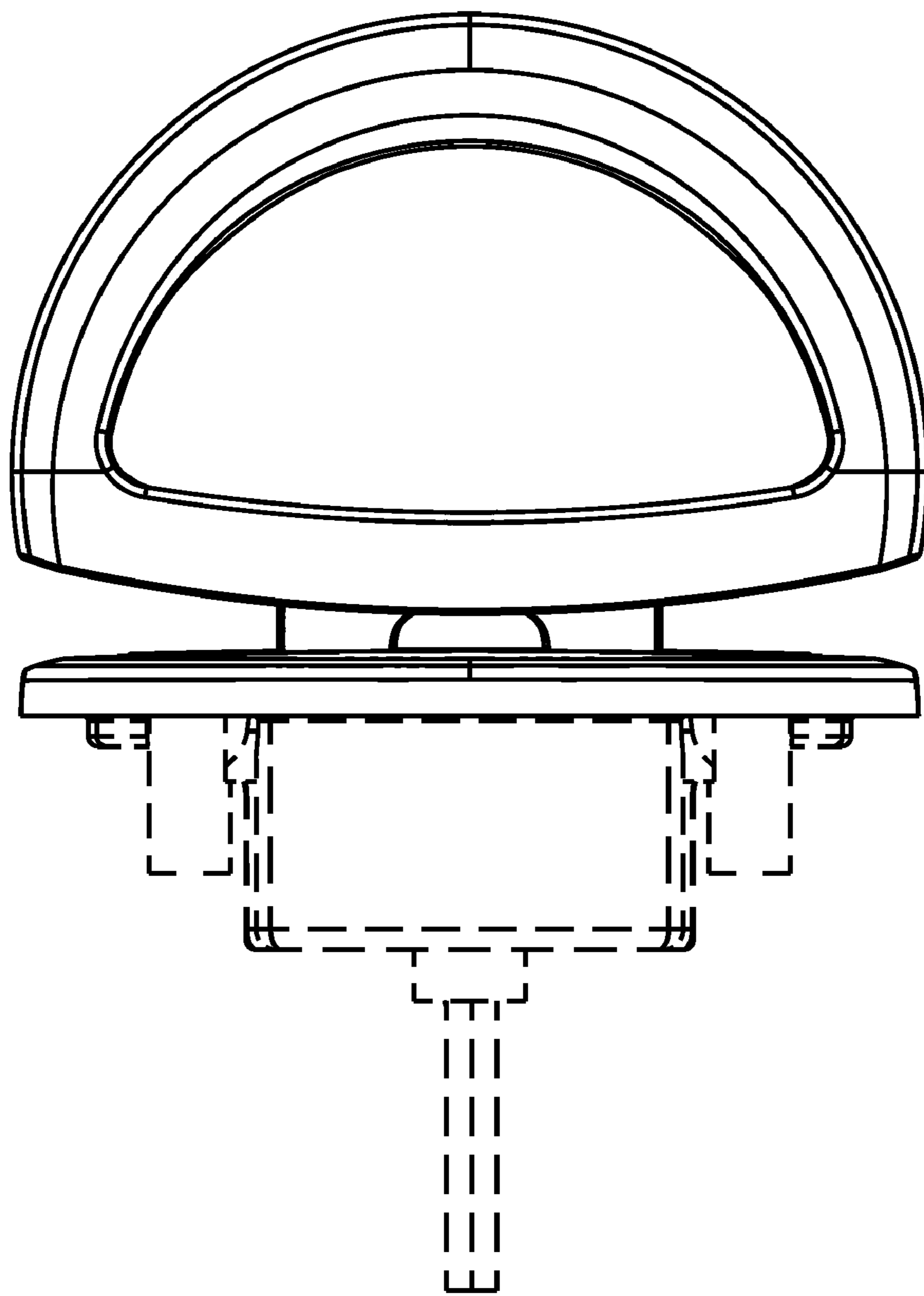


Fig. 36

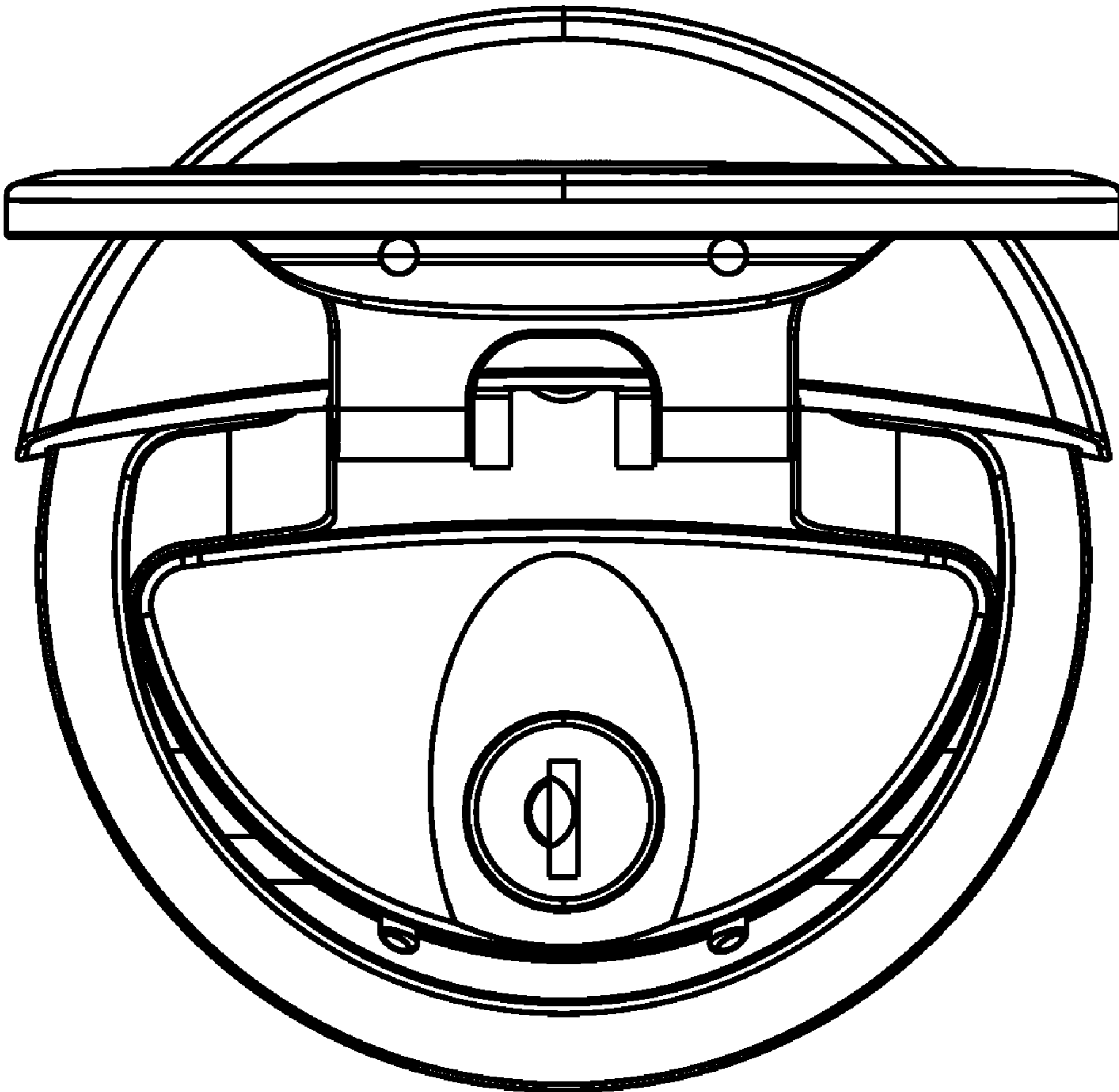


Fig. 37

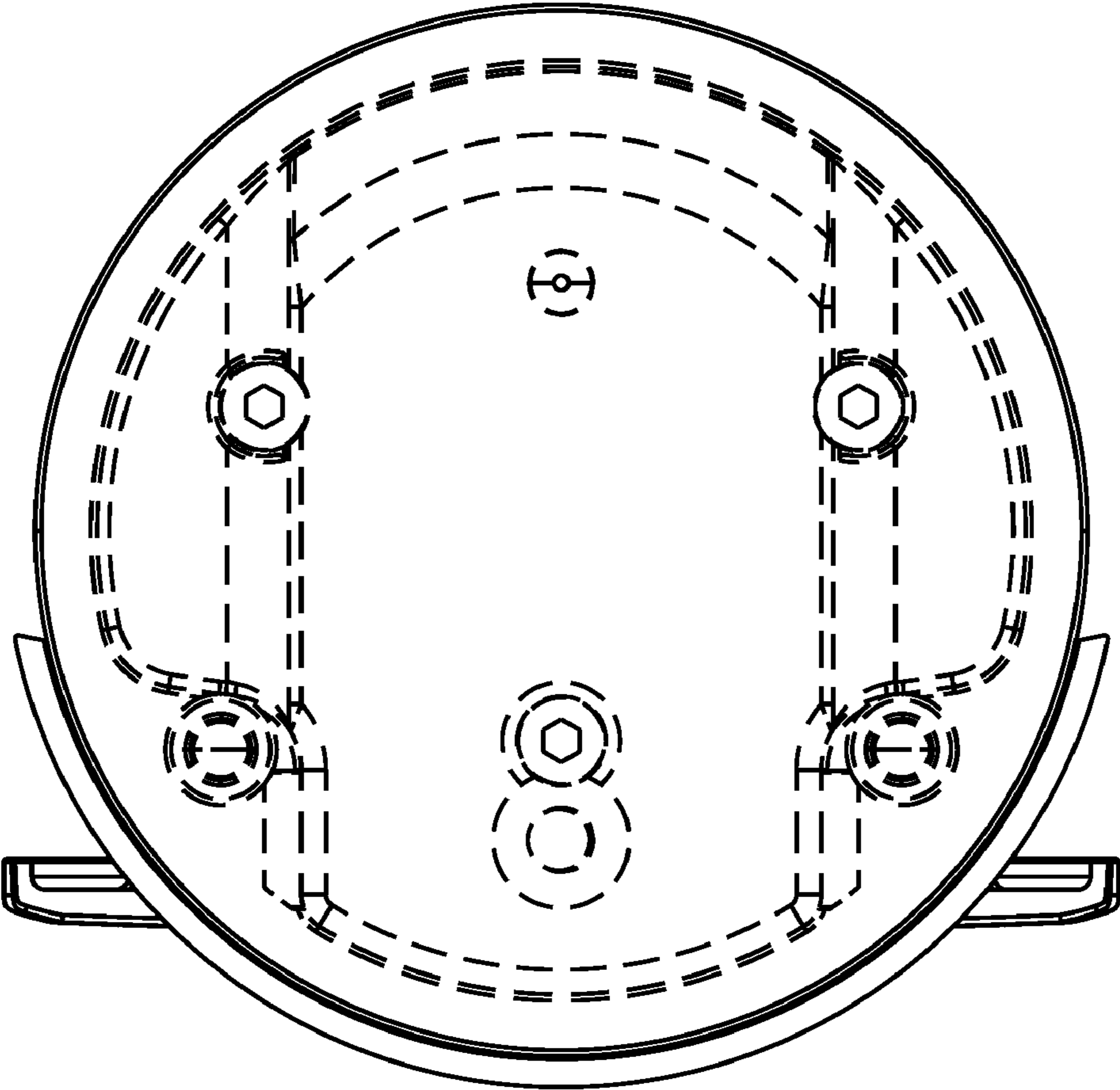


Fig. 38



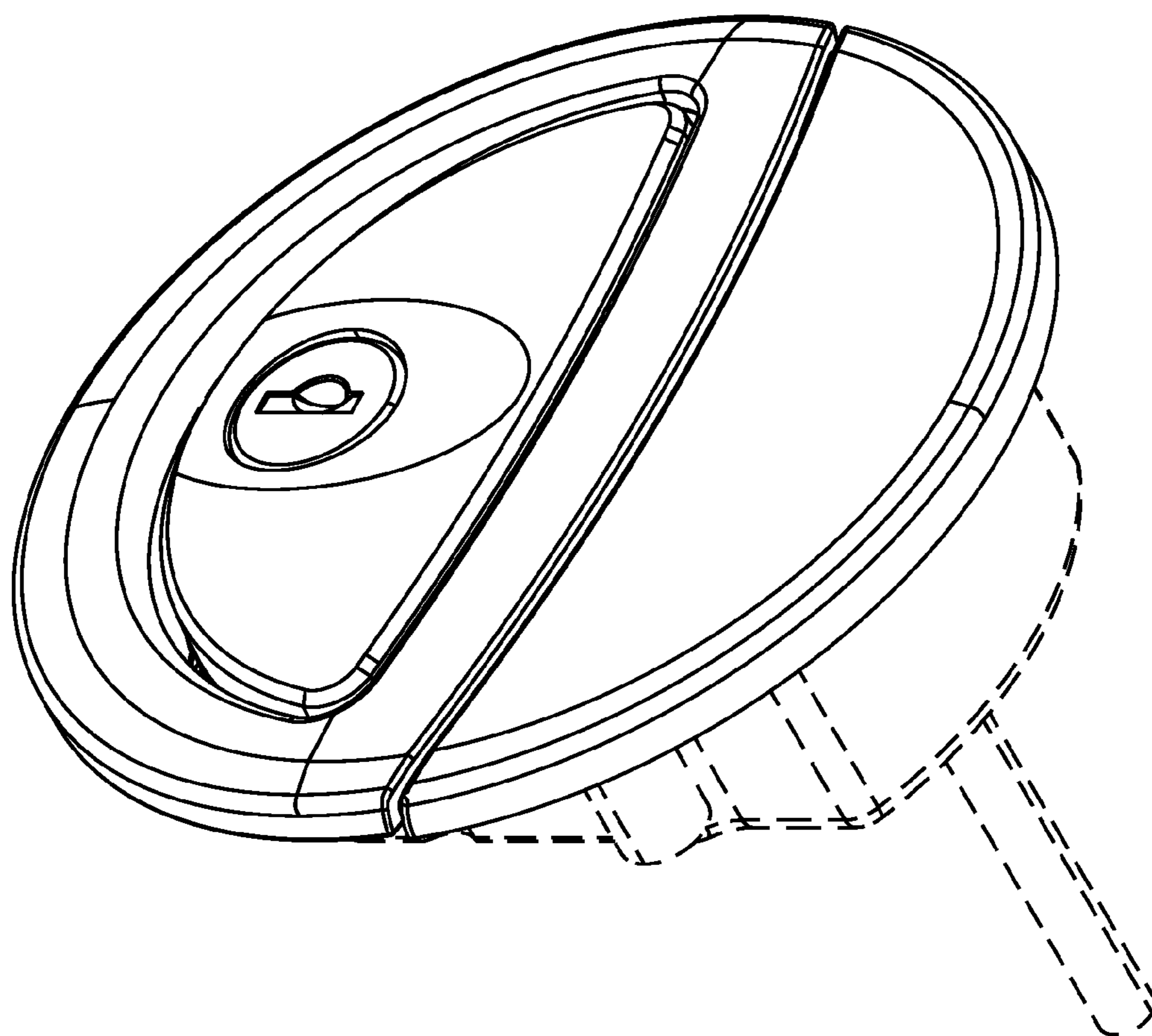


Fig. 39

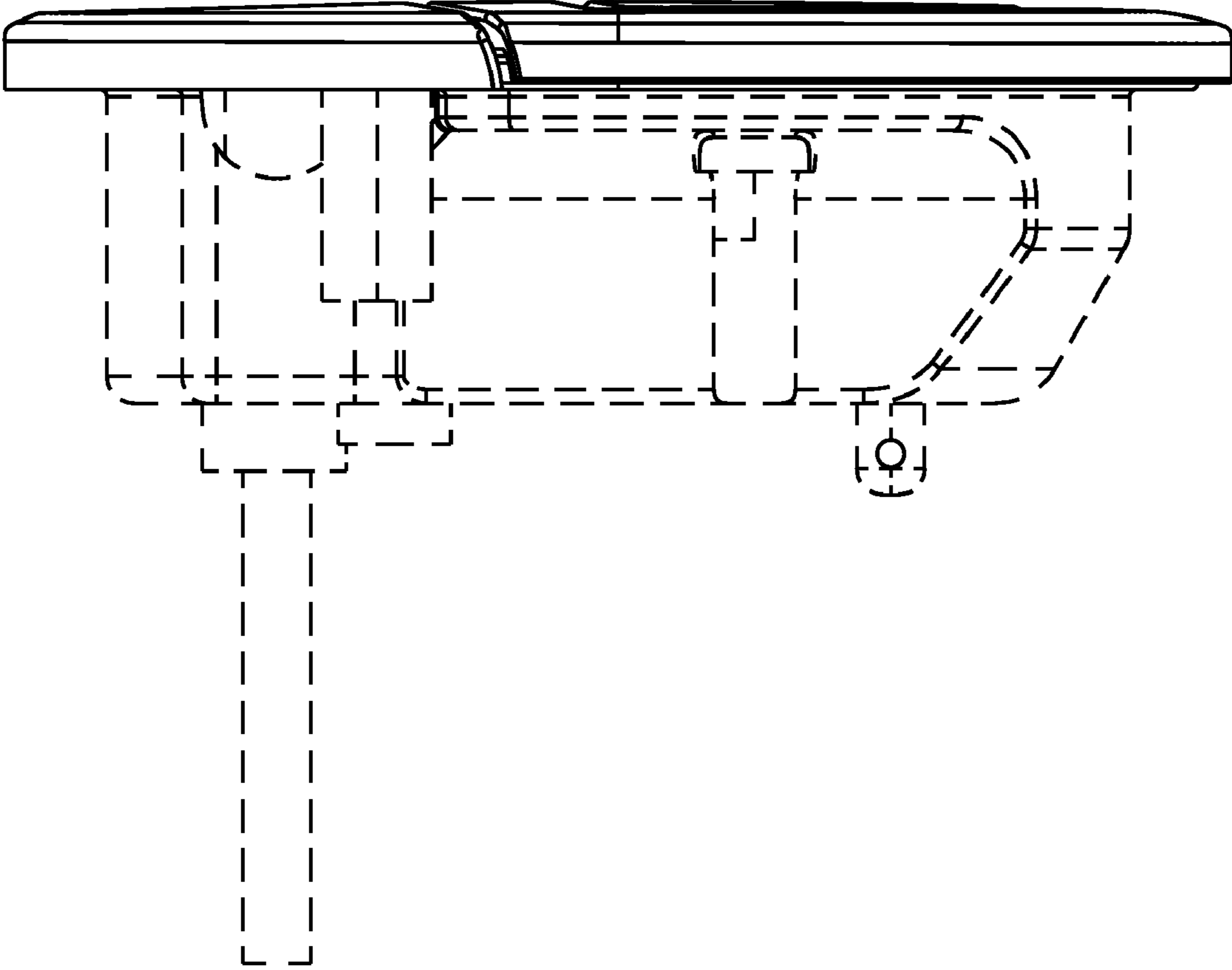


Fig. 40

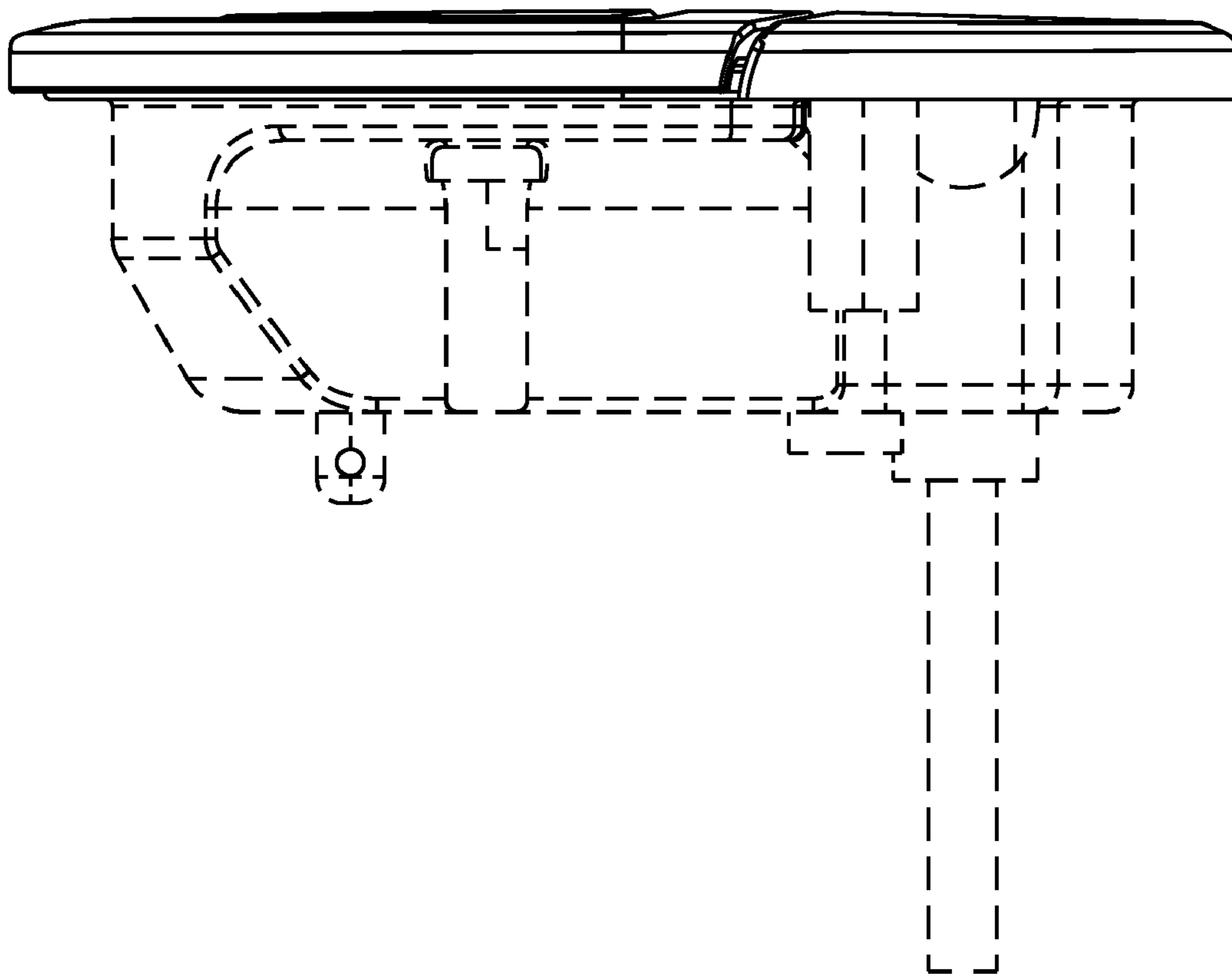


Fig. 41

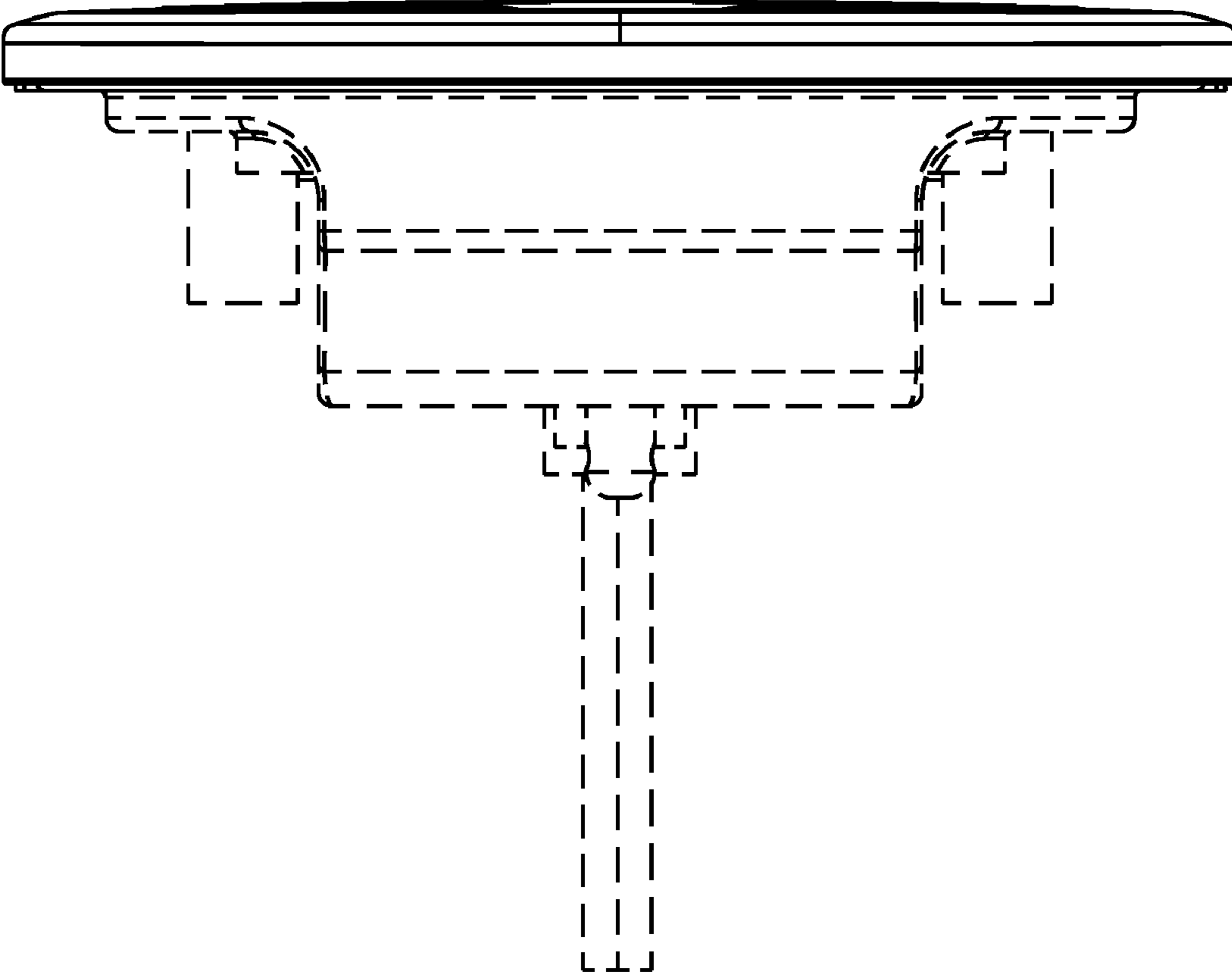


Fig. 42

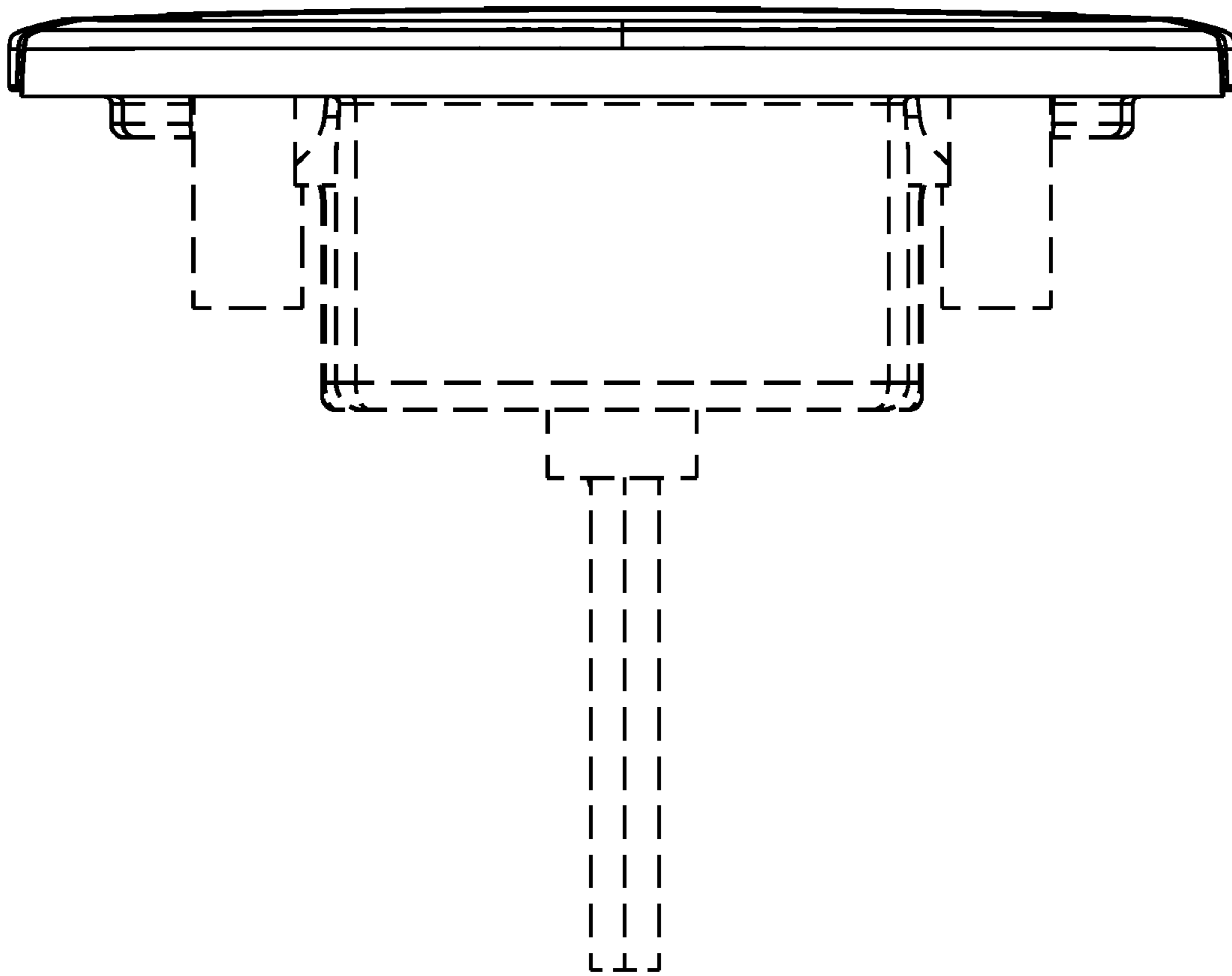


Fig. 43

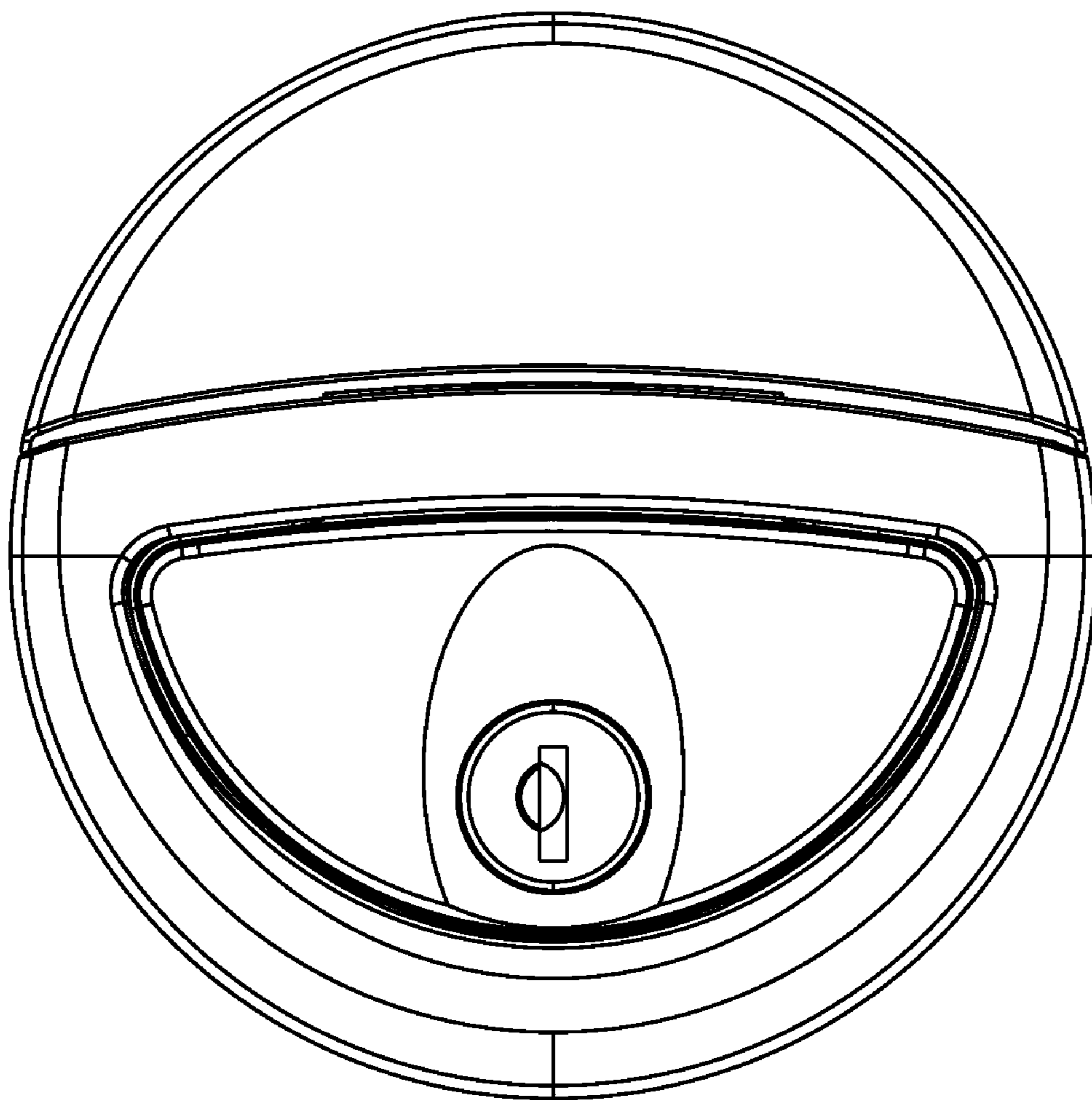


Fig. 44

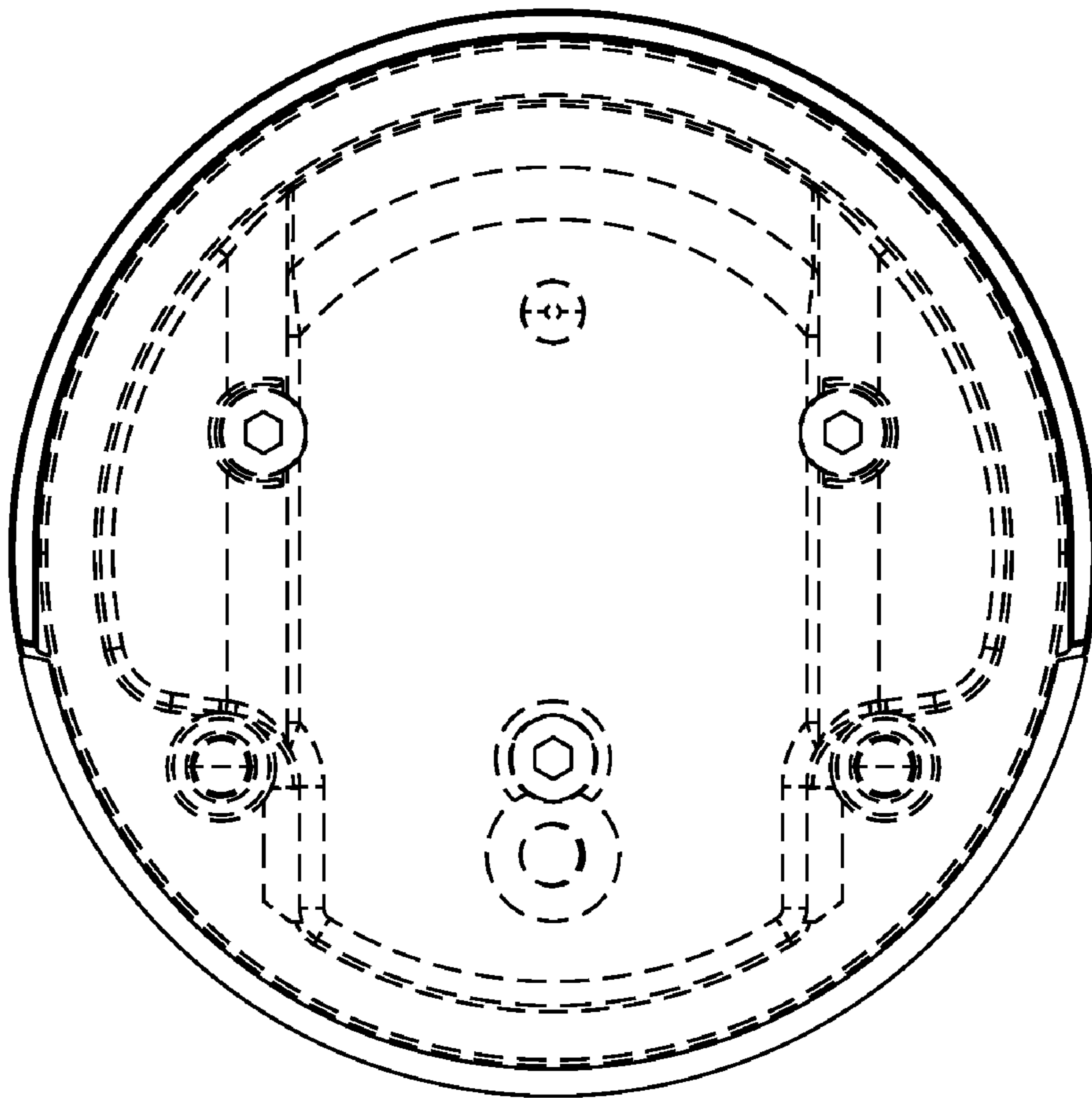


Fig. 45

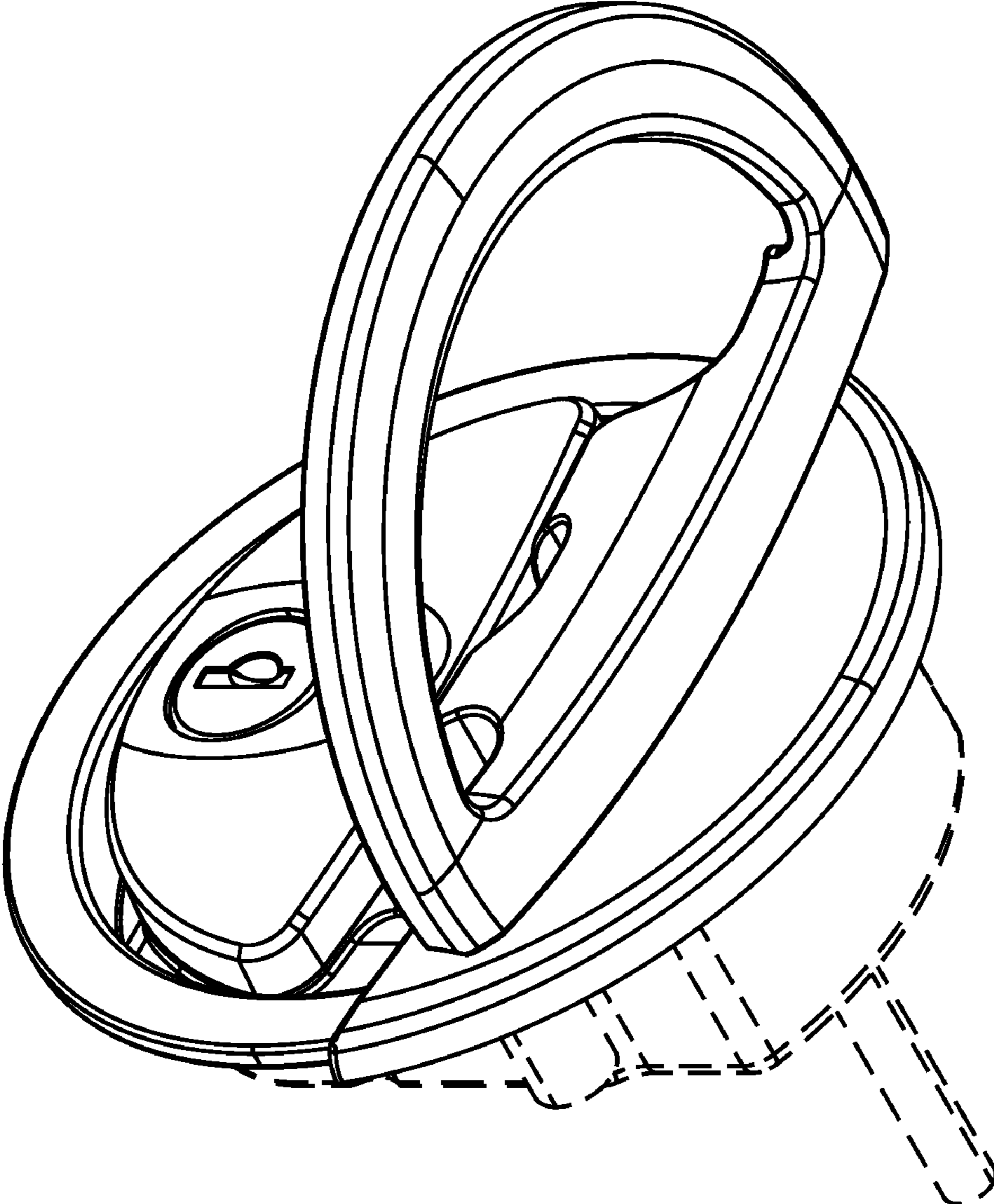


Fig. 46



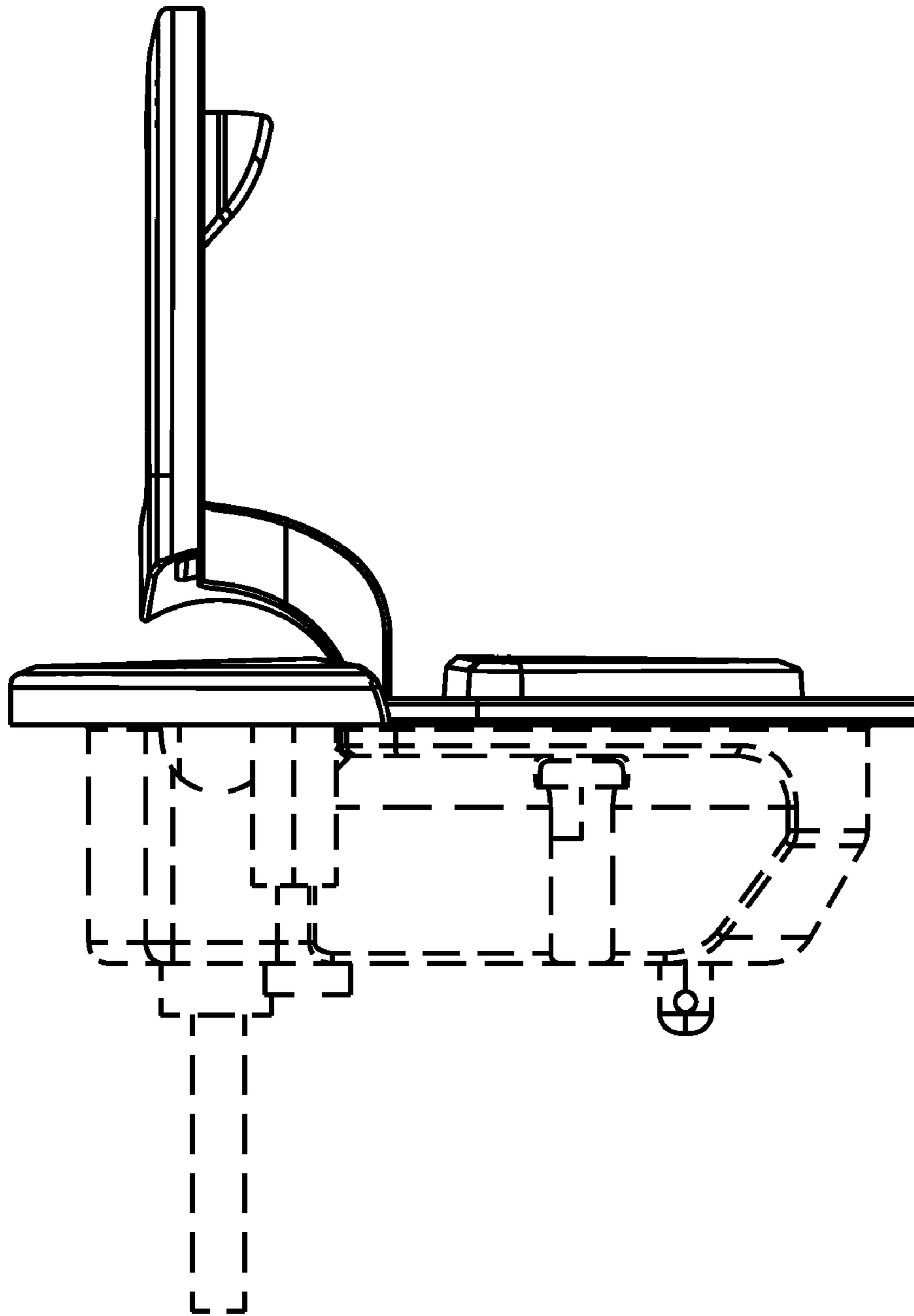


Fig. 47

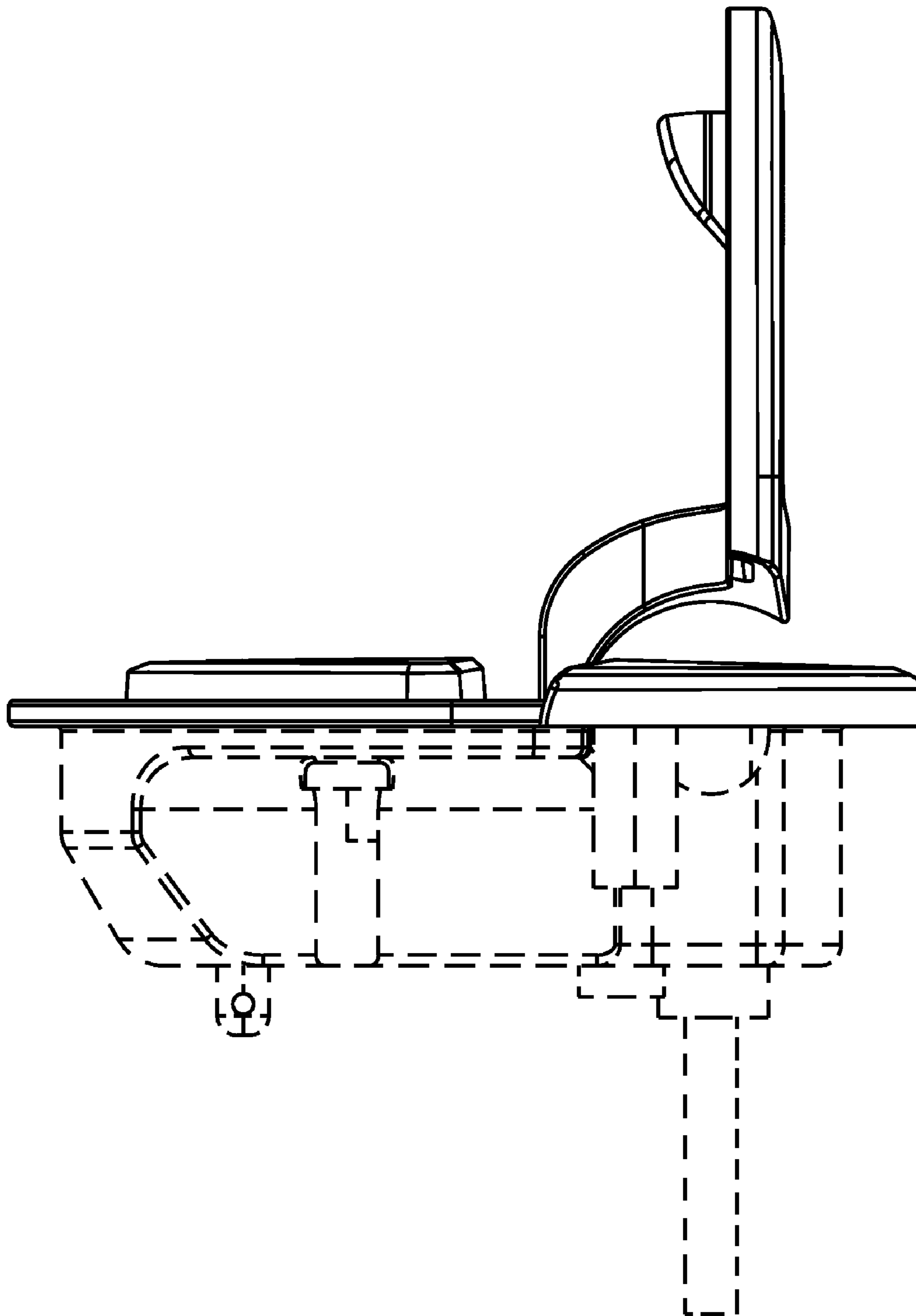


Fig. 48

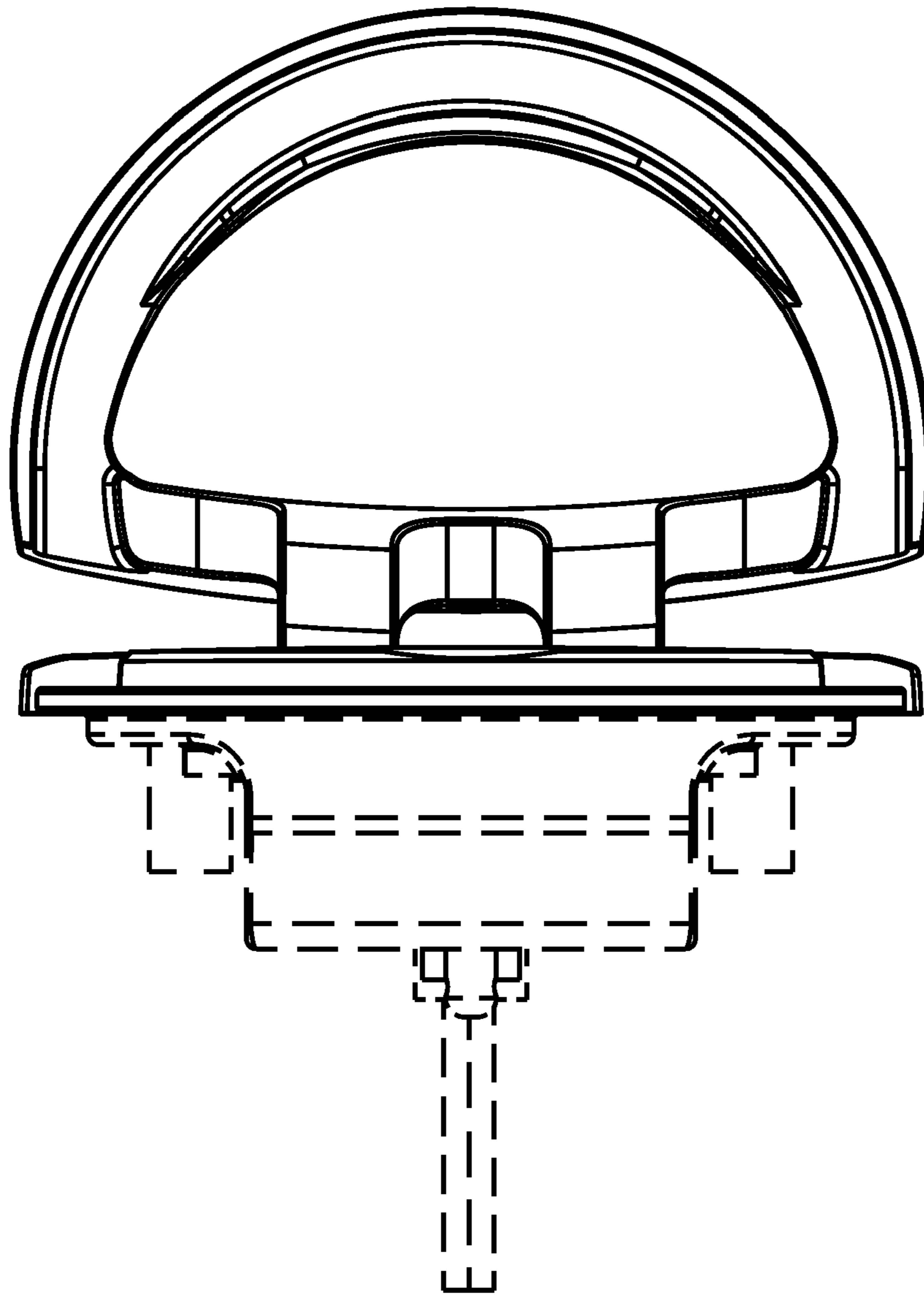


Fig. 49

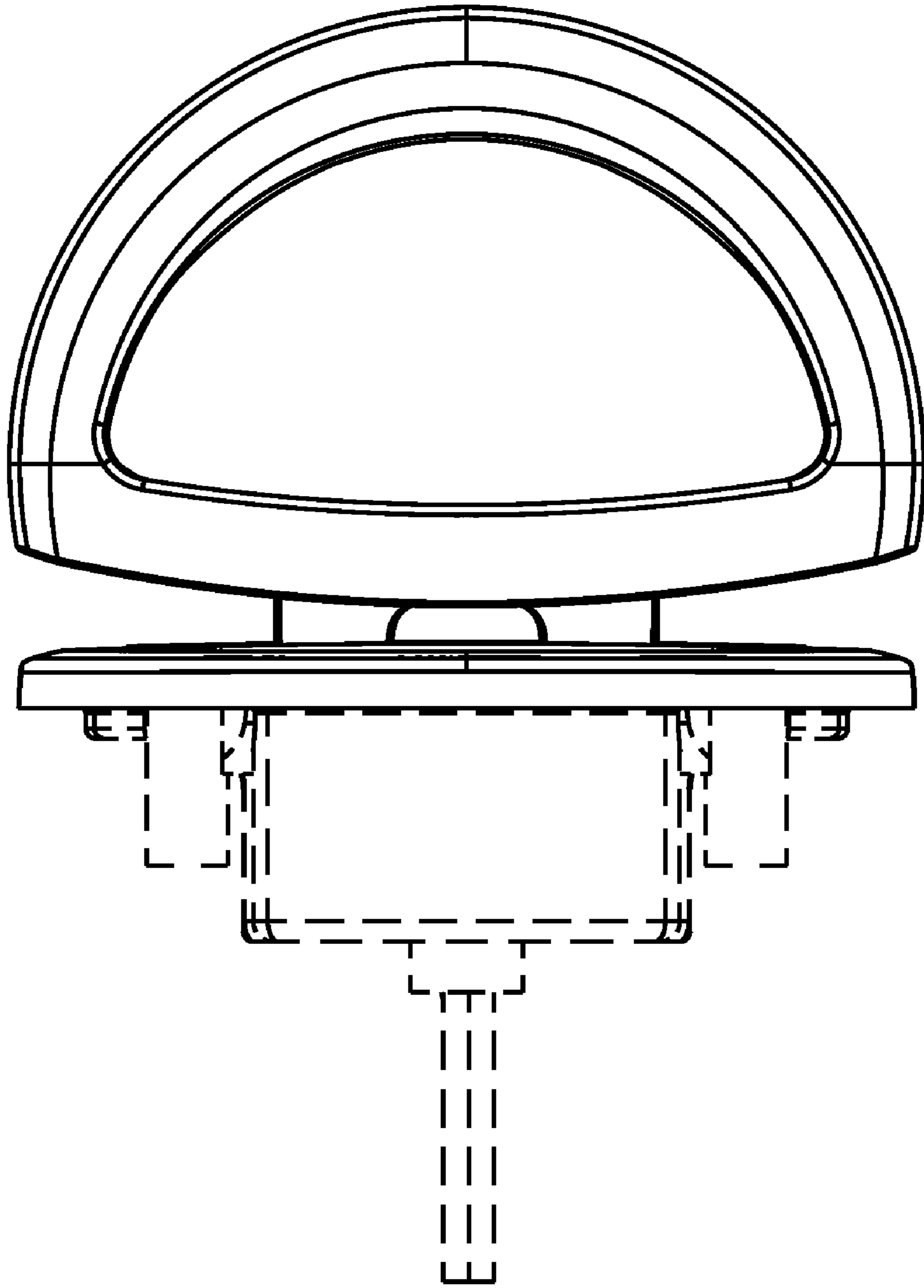


Fig. 50

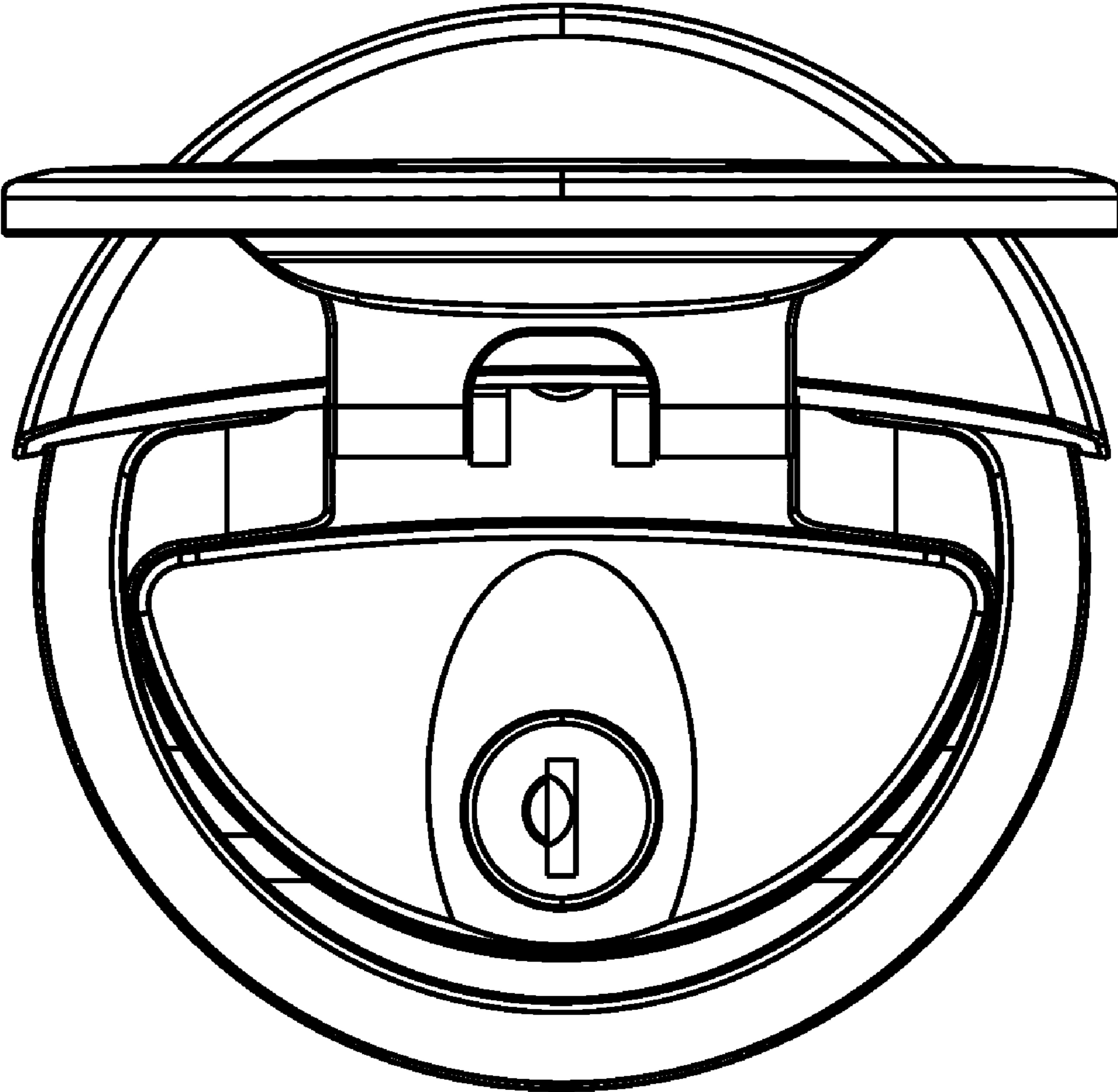


Fig. 51

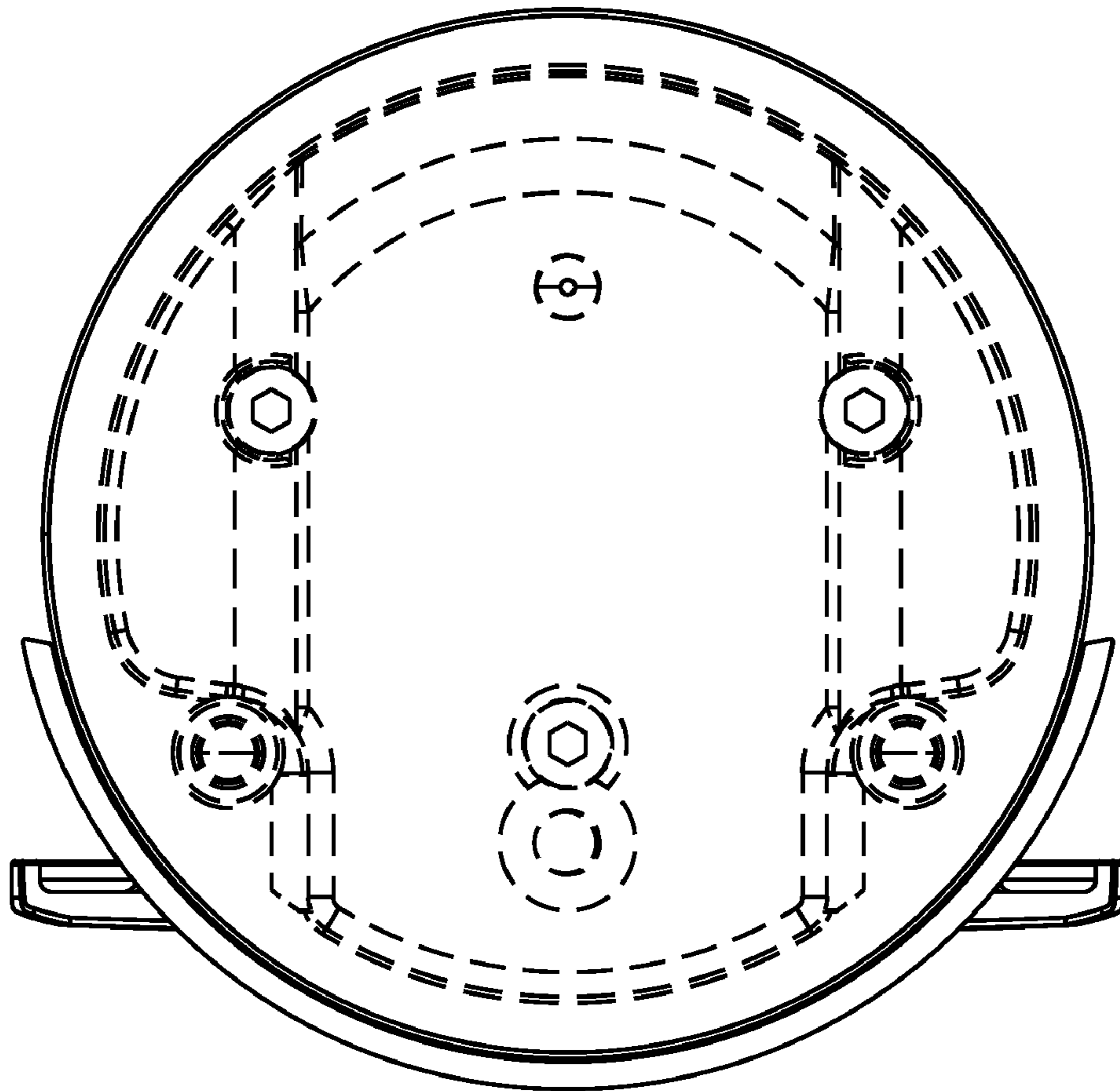


Fig. 52

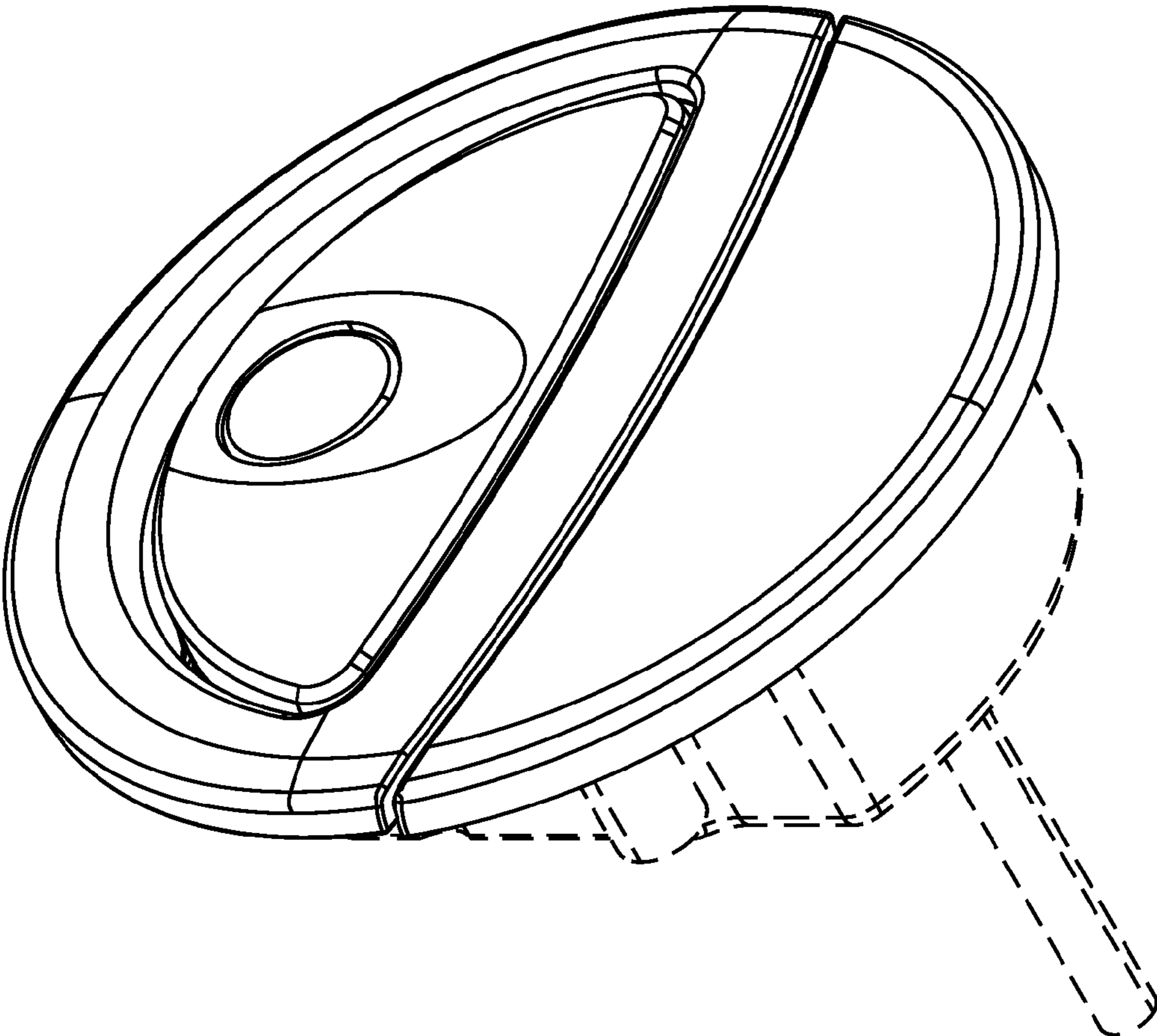


Fig. 53

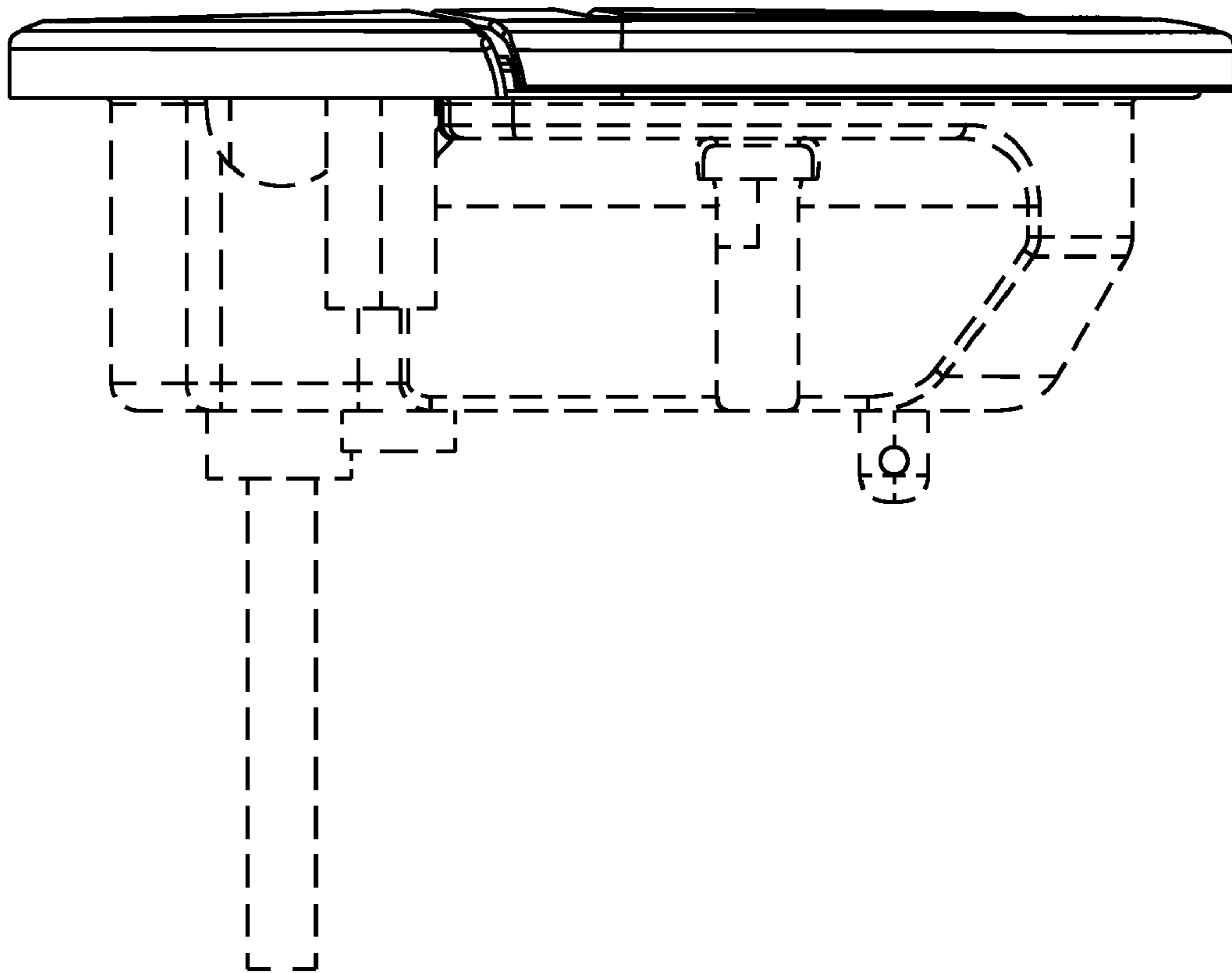


Fig. 54



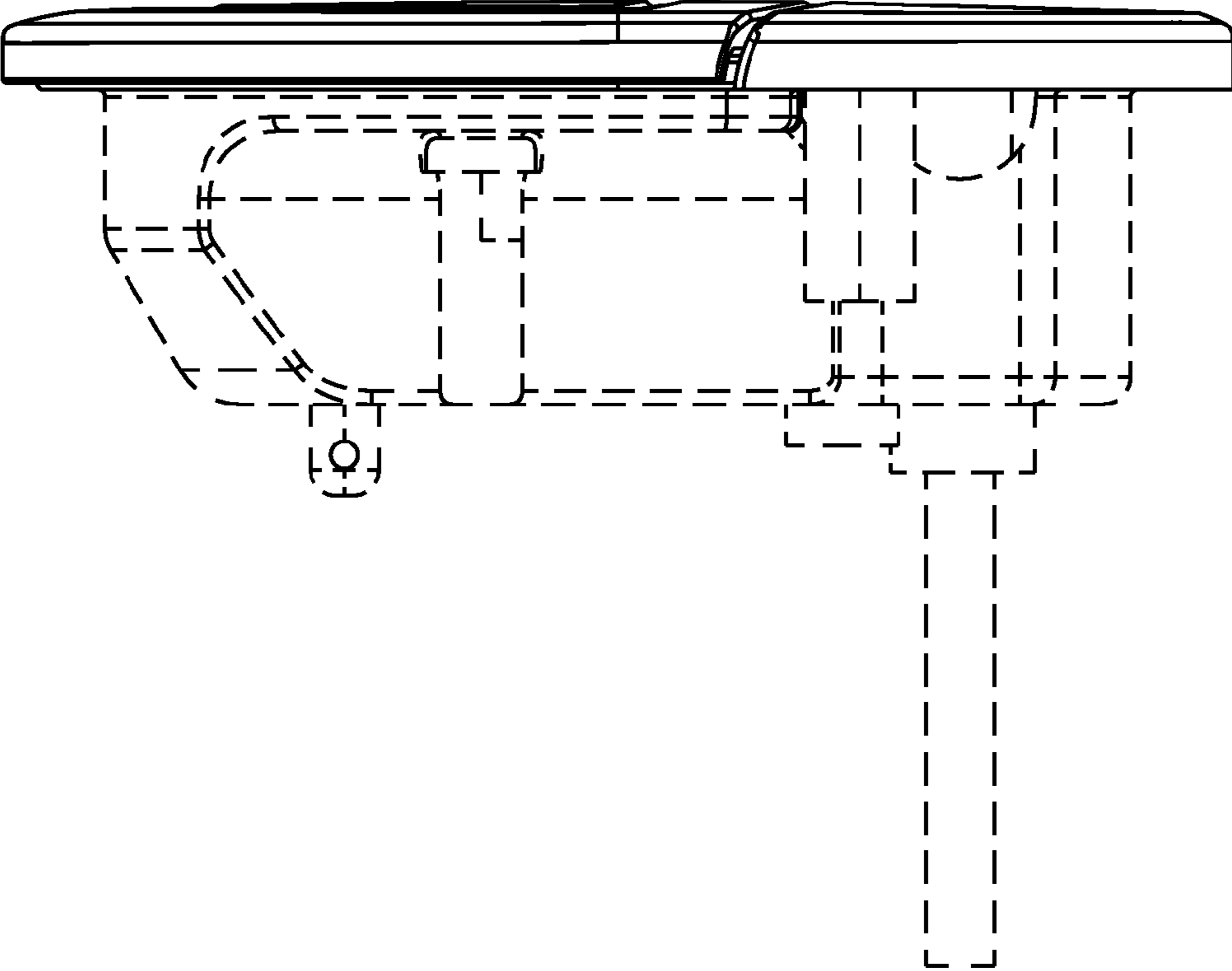


Fig. 55

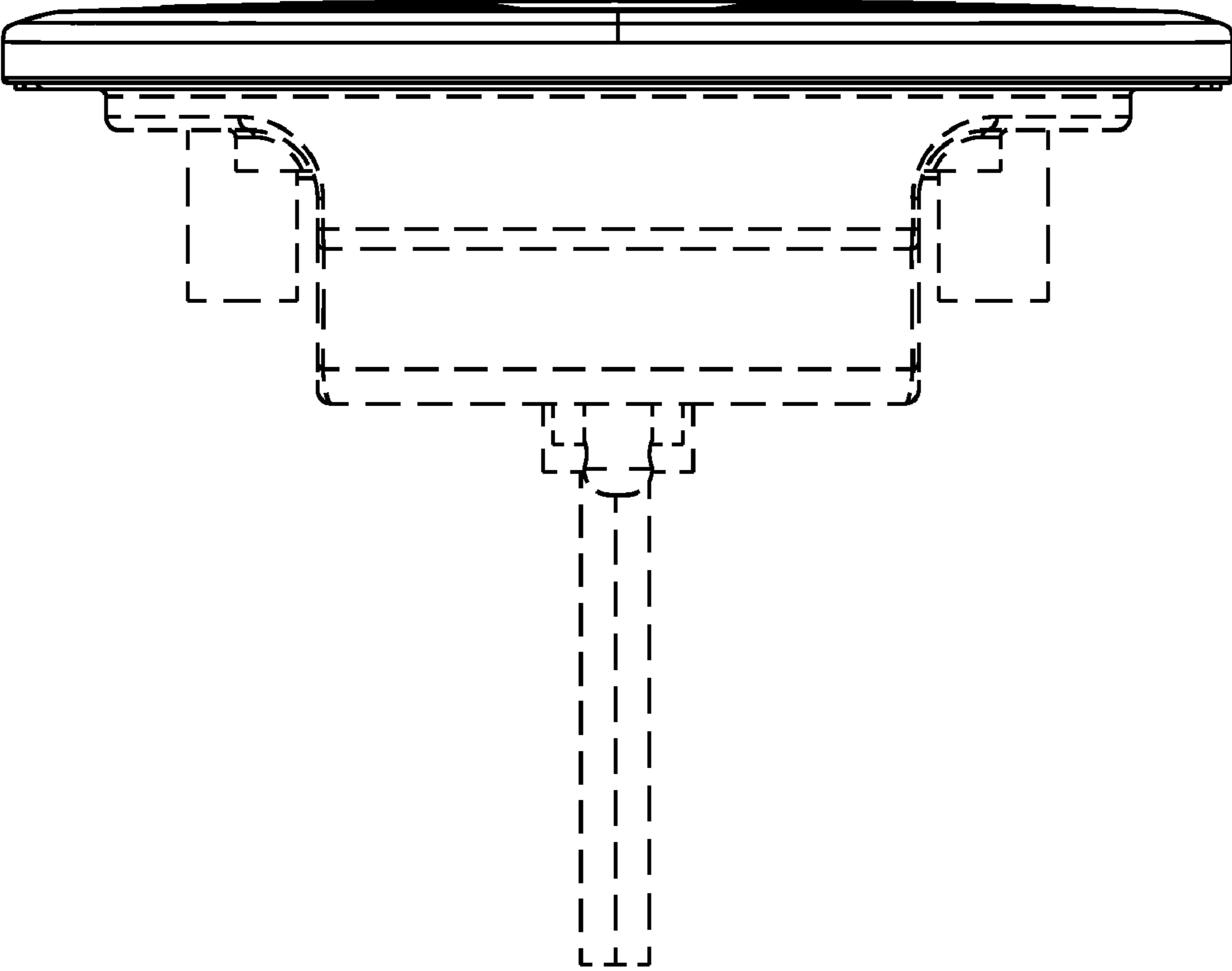


Fig. 56

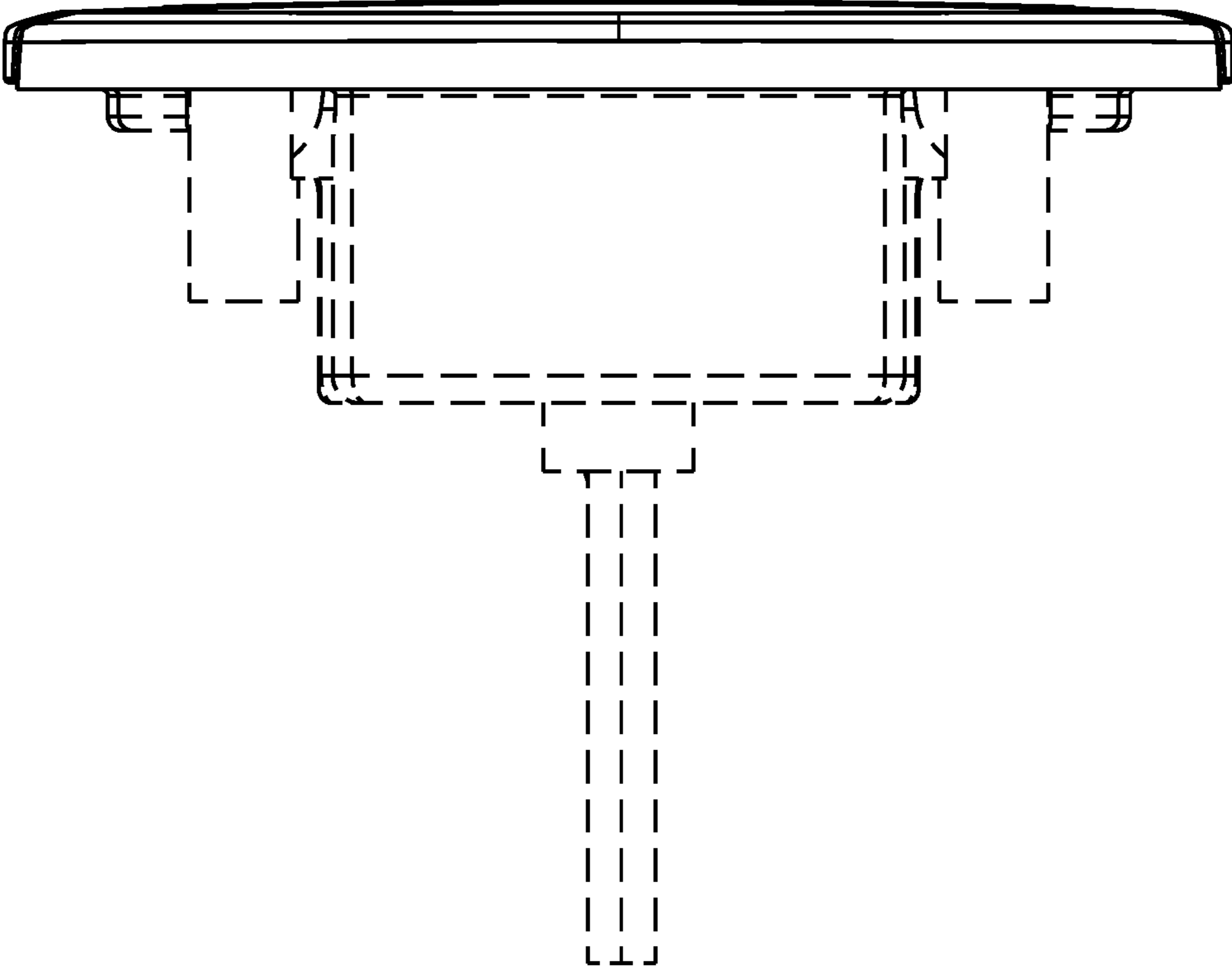


Fig. 57

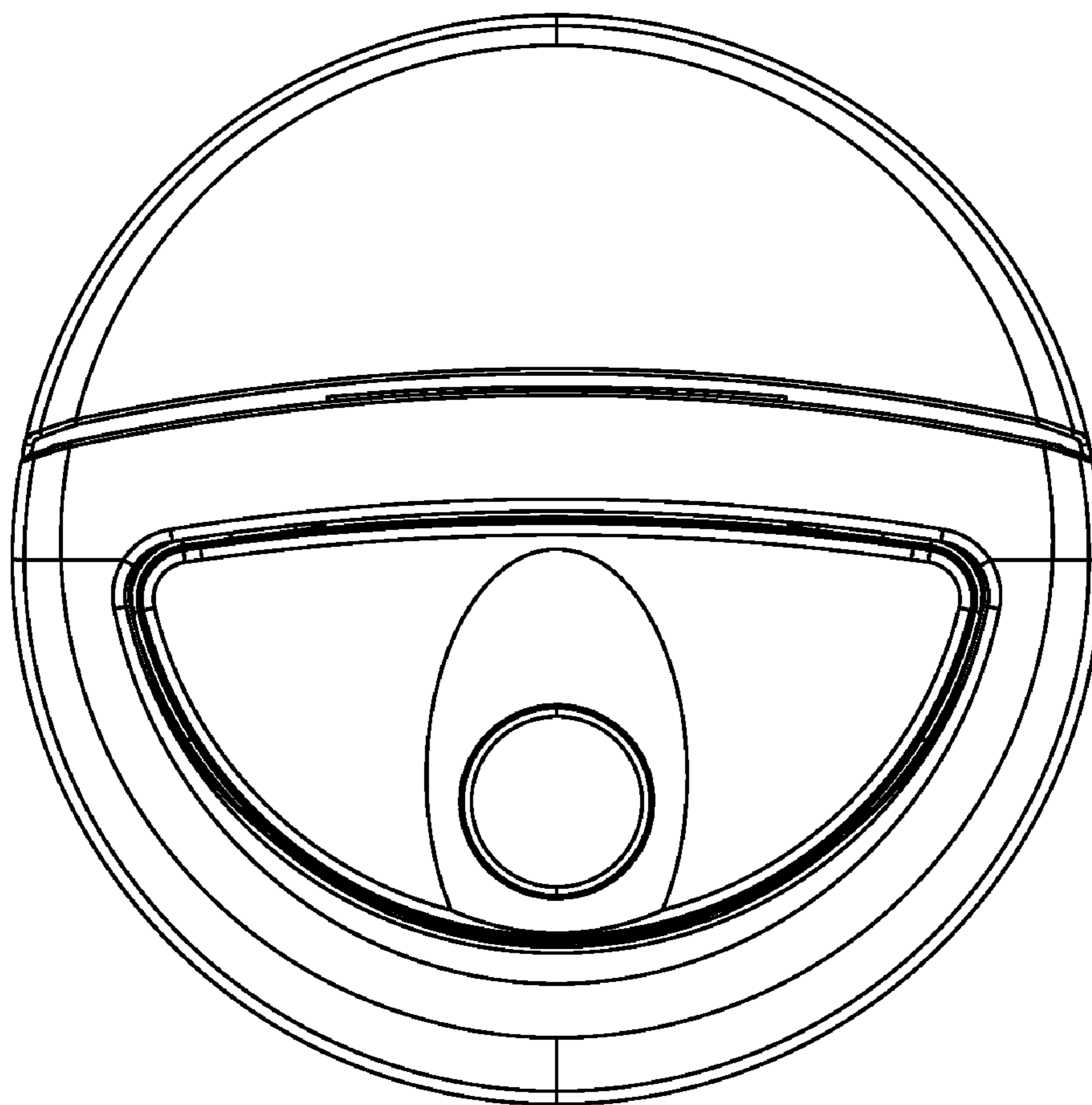


Fig. 58

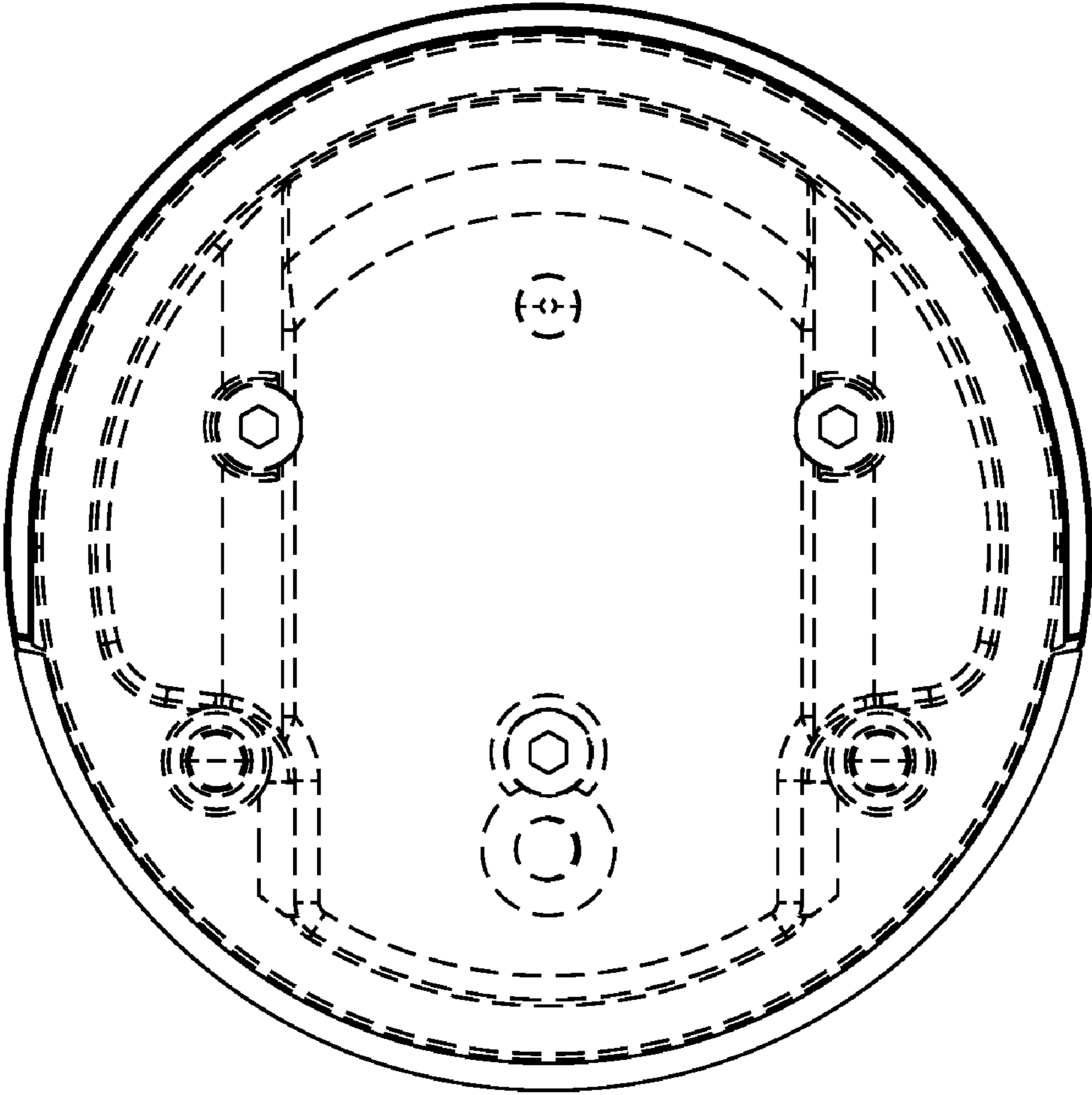


Fig. 59

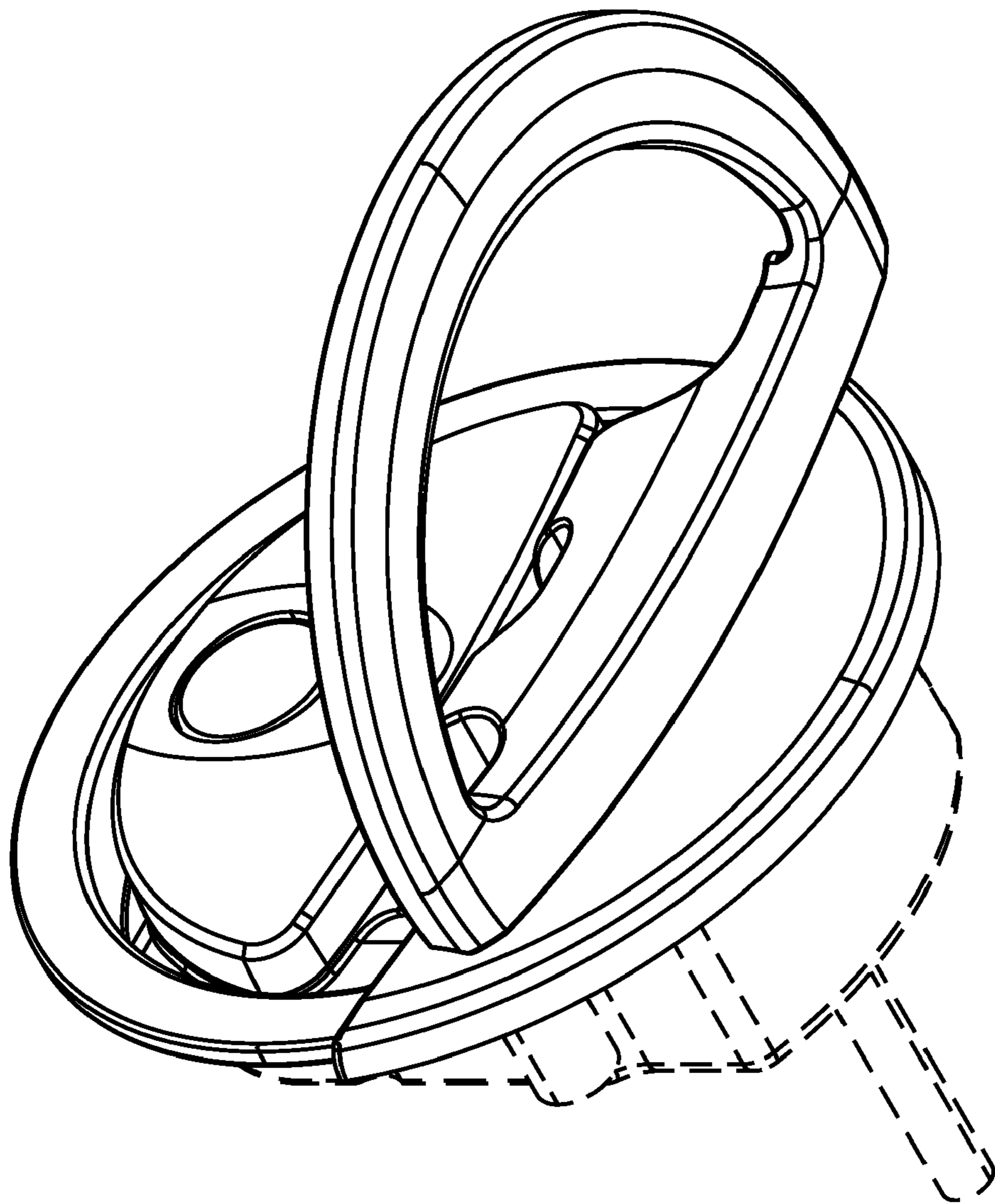


Fig. 60

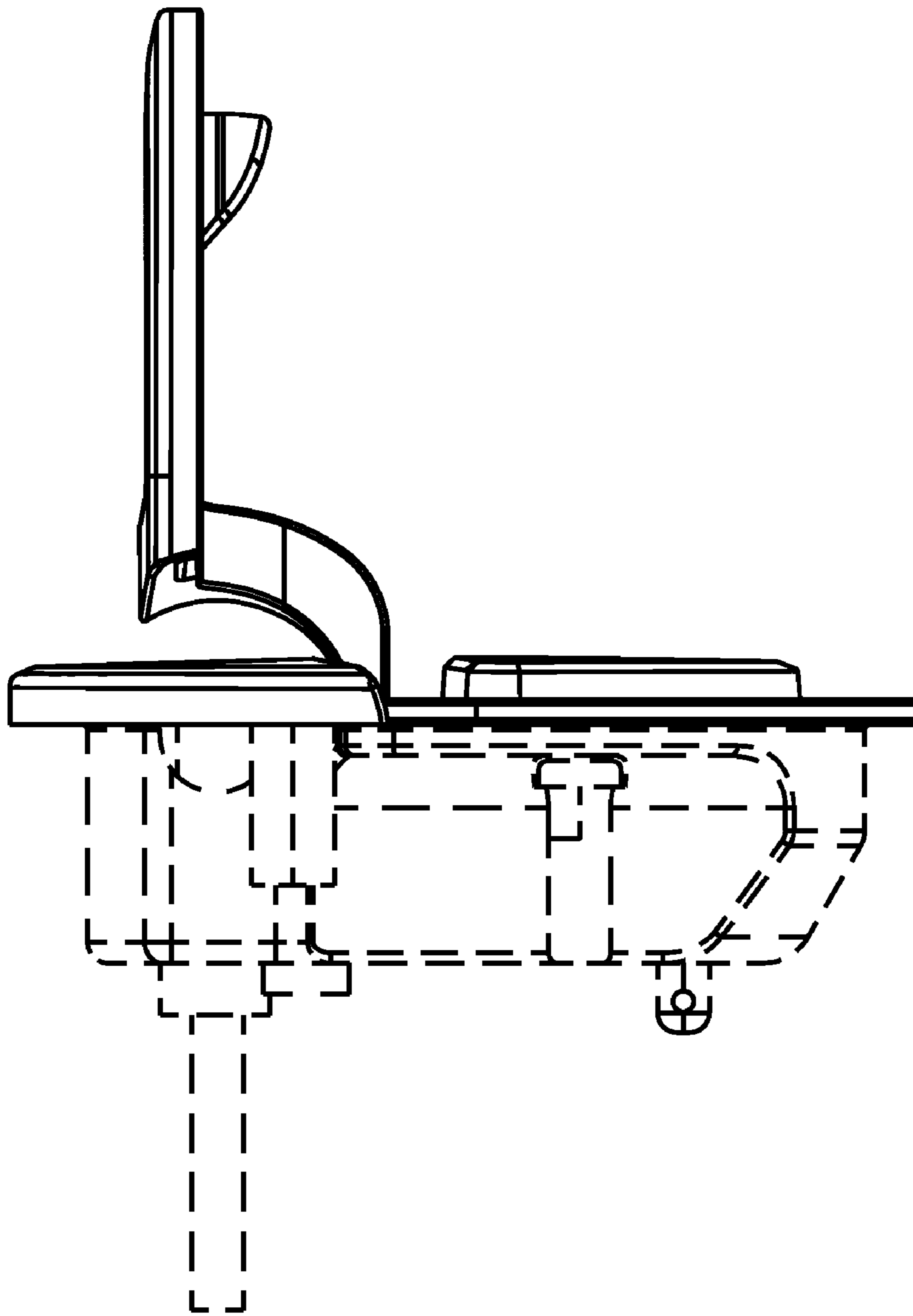


Fig. 61

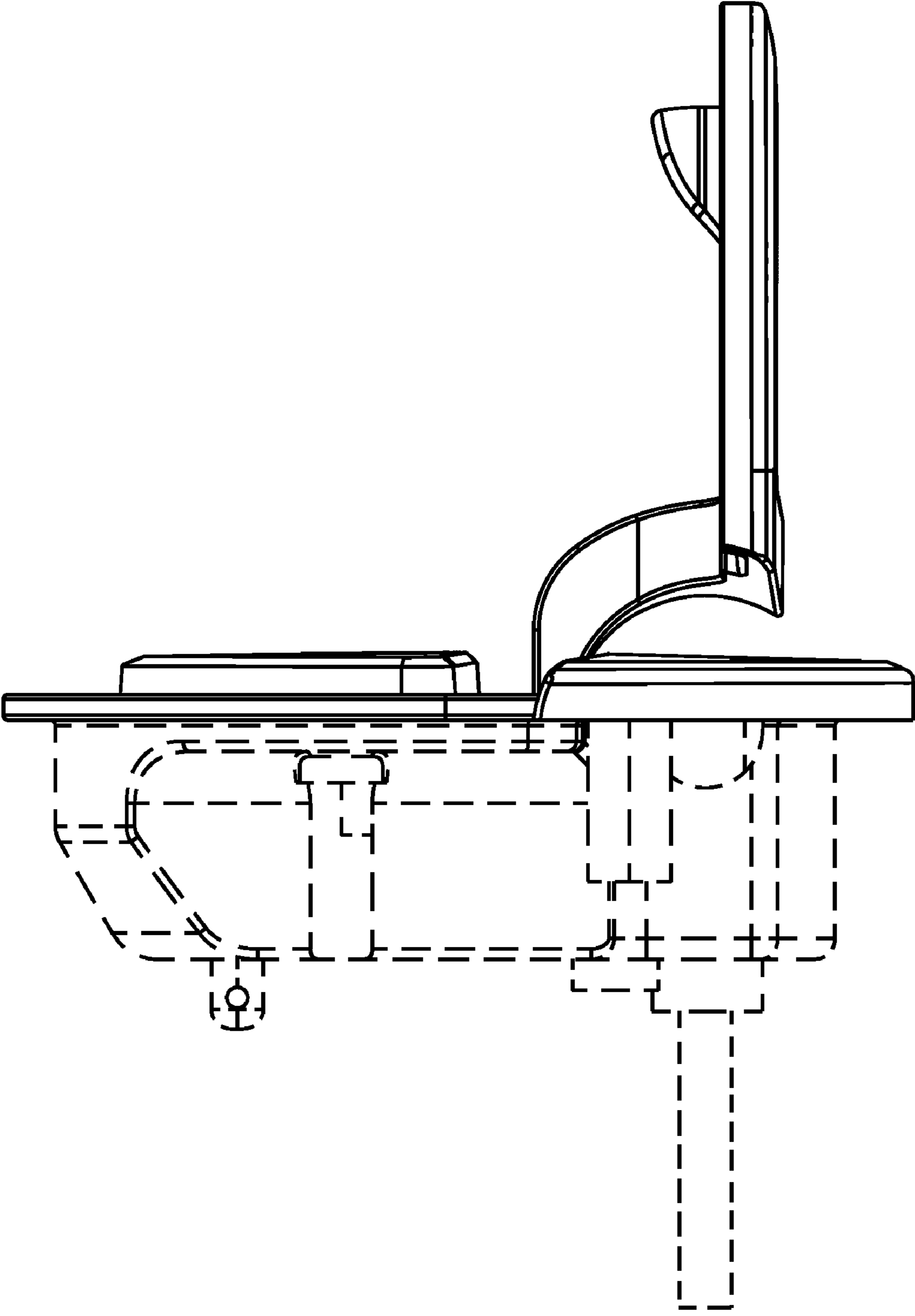


Fig. 62



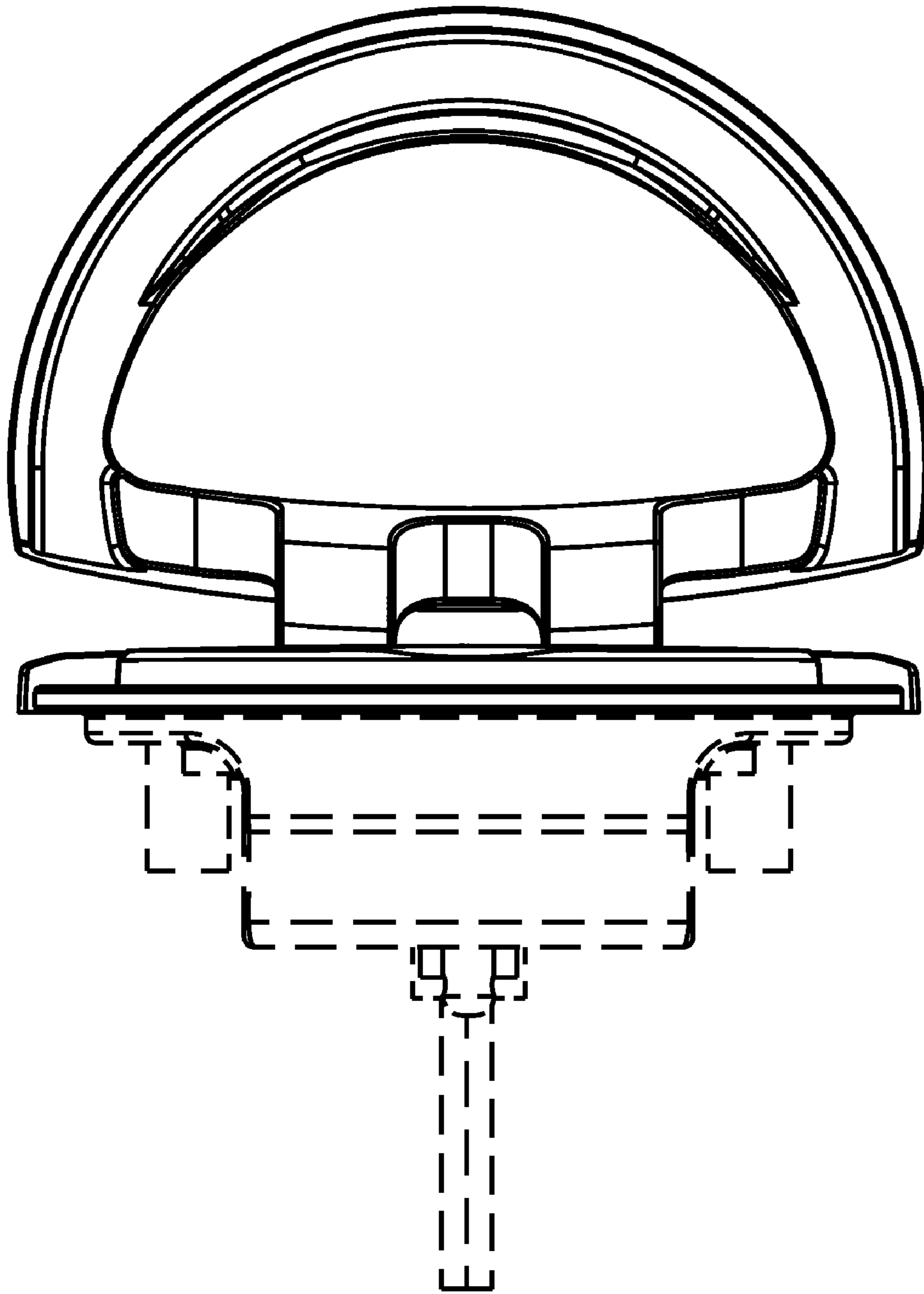


Fig. 63

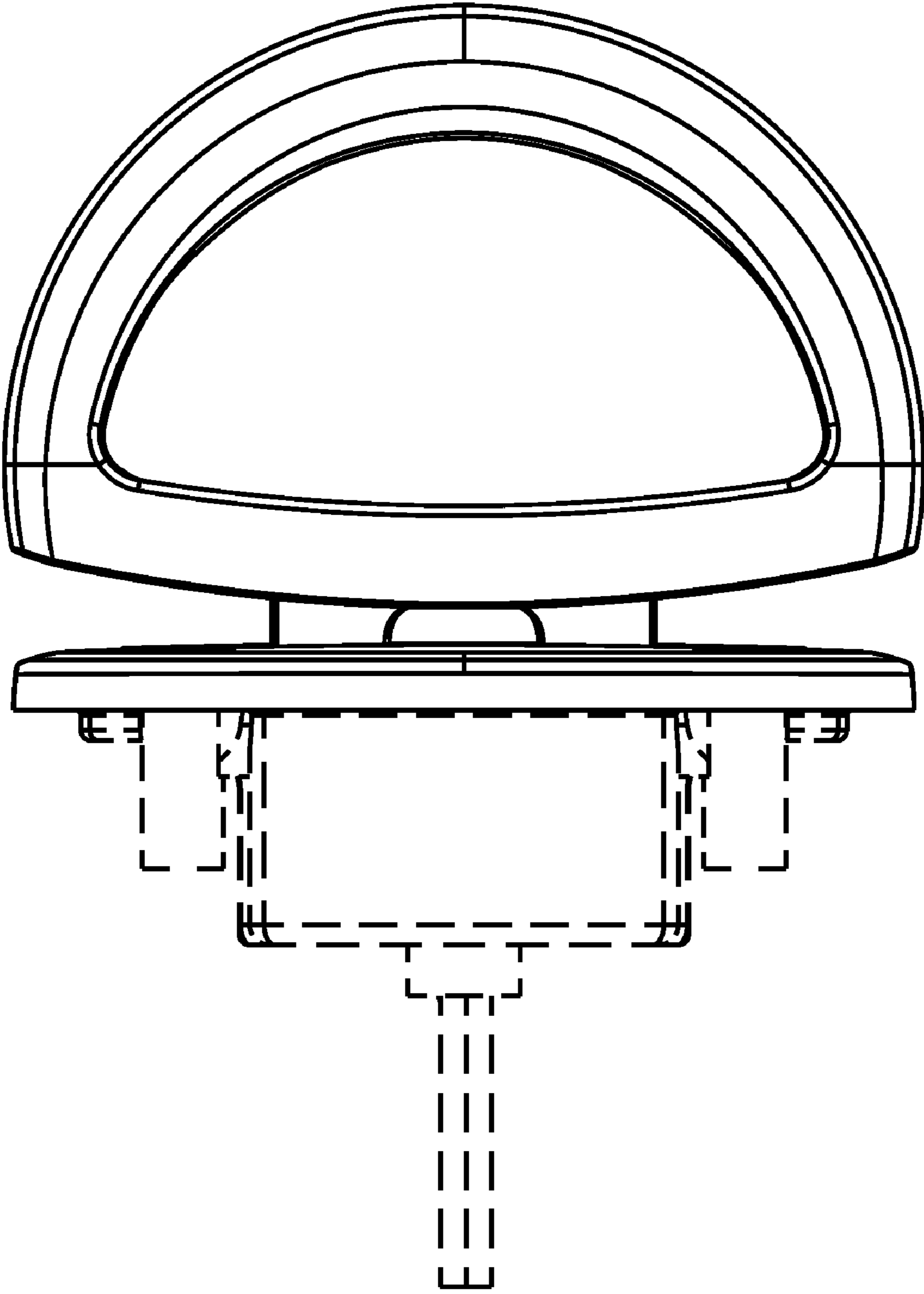


Fig. 64

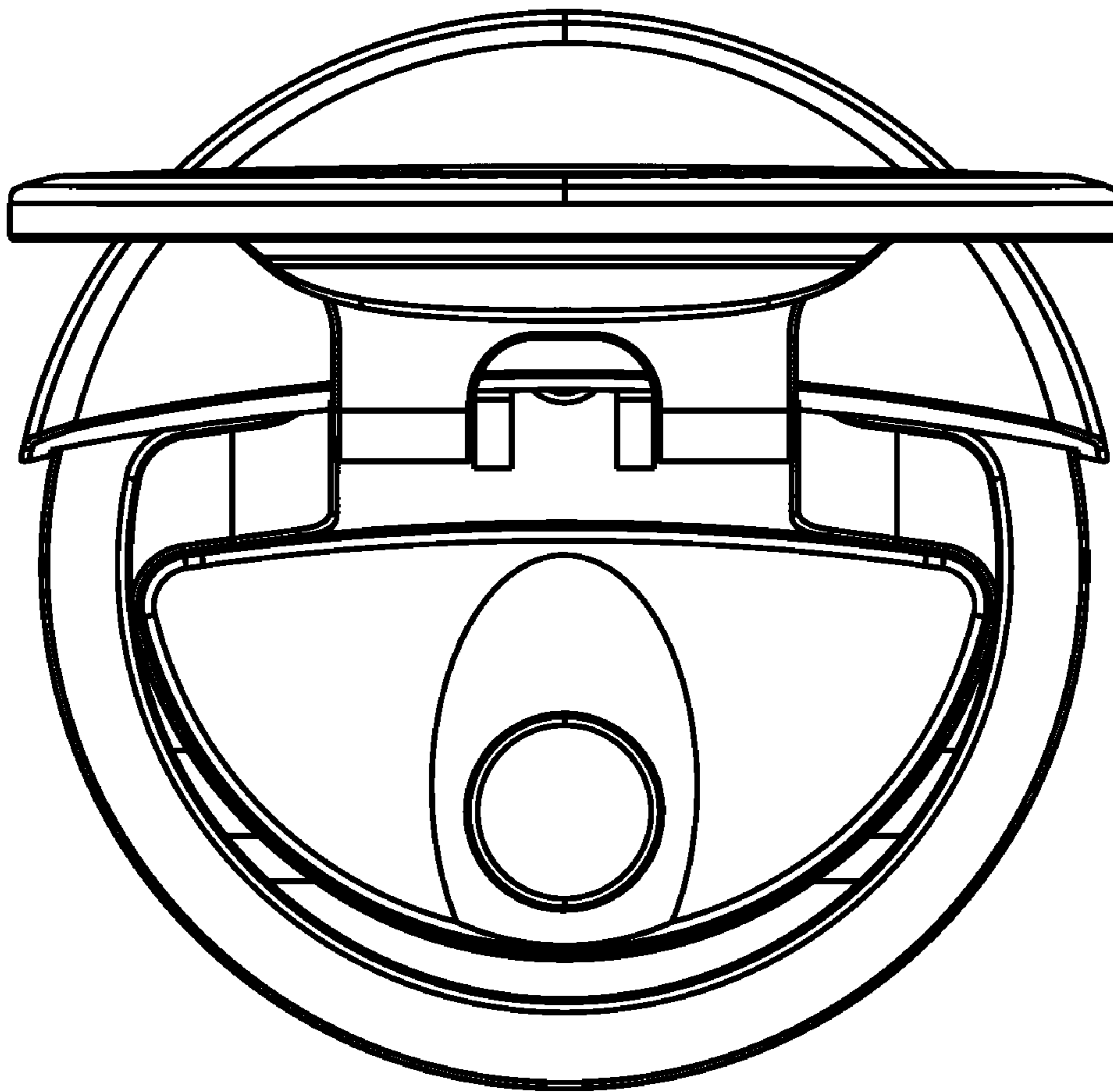


Fig. 65

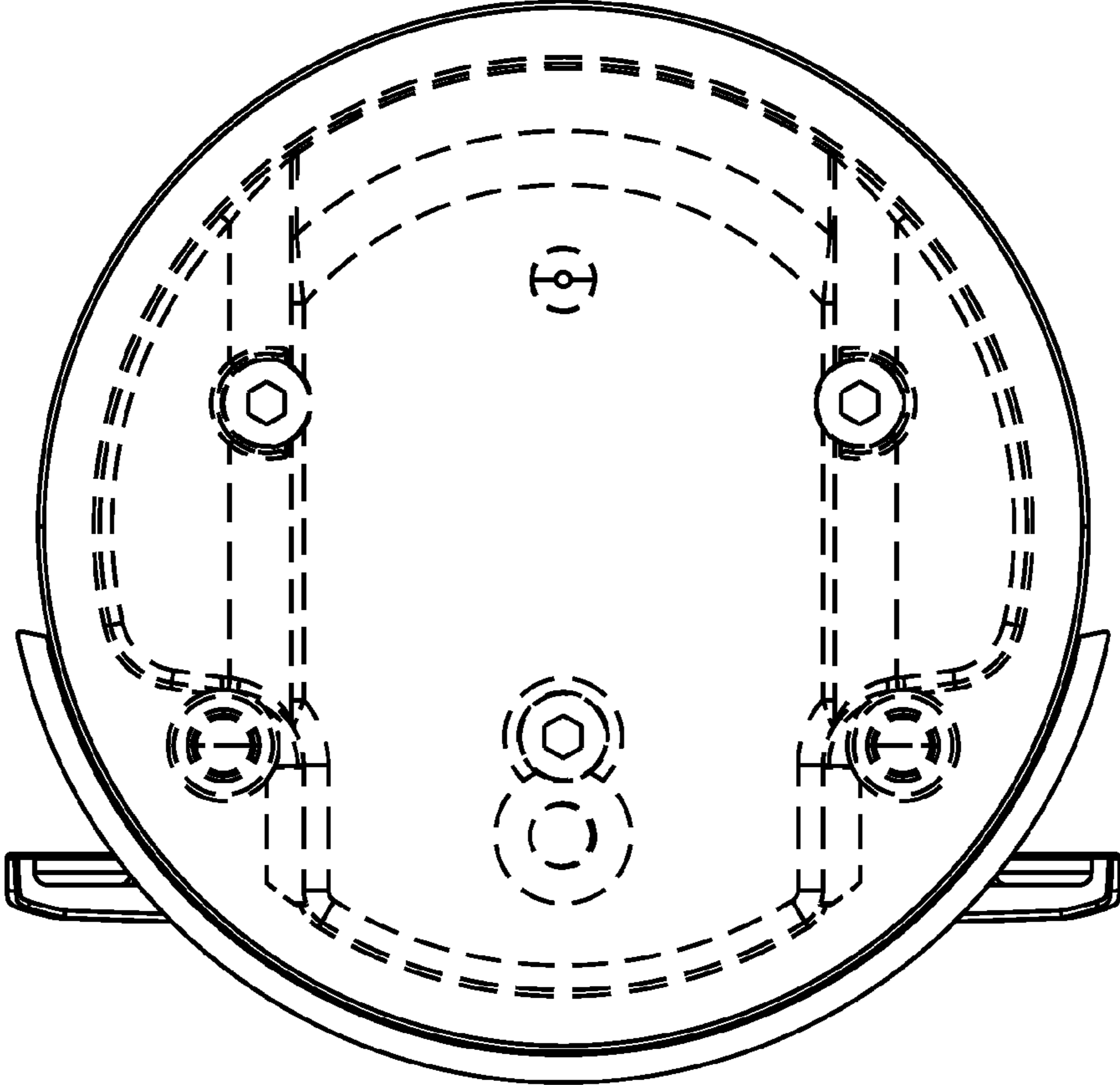


Fig. 66