



US00D582249S

(12) **United States Design Patent**  
**Le et al.**

(10) **Patent No.:** **US D582,249 S**  
(45) **Date of Patent:** **\*\* Dec. 9, 2008**

(54) **T-HINGE STRAP**

(75) Inventors: **Tam Thanh Le**, El Monte, CA (US);  
**Larry Mirick**, El Monte, CA (US)

(73) Assignee: **S.P.E.P. Acquisition Corp.**, Rancho  
Dominquez, CA (US)

(\*\*) Term: **14 Years**

(21) Appl. No.: **29/295,624**

(22) Filed: **Oct. 2, 2007**

(51) **LOC (8) Cl.** ..... **08-06**

(52) **U.S. Cl.** ..... **D8/327**

(58) **Field of Classification Search** ..... D8/323-329;  
24/132 R, 583.1, 583.11; 16/221, 225, 226,  
16/298, 308, 386, 387

See application file for complete search history.

(56) **References Cited**

**U.S. PATENT DOCUMENTS**

D23,402 S *	6/1894	Hart	.....	D8/327
D23,447 S *	7/1894	Hart	.....	D8/328
527,975 A *	10/1894	Hart	.....	16/387
D43,419 S *	1/1913	Grosskopf	.....	D8/327
1,167,444 A *	1/1916	Stevenson	.....	16/251
1,832,902 A *	11/1931	Holbrook	.....	16/392
2,169,059 A *	8/1939	Soss et al.	.....	16/251
2,488,882 A *	11/1949	Shealey	.....	16/259
D157,294 S *	2/1950	Slopa	.....	D8/327

D175,163 S *	7/1955	Hinge	.....	D8/327
D291,175 S *	8/1987	Rogers	.....	D8/327
D293,764 S *	1/1988	Hansen	.....	D8/327
D293,876 S *	1/1988	Thomson	.....	D8/328
4,825,508 A *	5/1989	Post, Jr.	.....	16/250
D428,323 S *	7/2000	Weinerman et al.	.....	D8/328
D475,272 S *	6/2003	Hansen et al.	.....	D8/327

\* cited by examiner

*Primary Examiner*—Holly H Baynham

*Assistant Examiner*—Cynthia M Chin

(74) *Attorney, Agent, or Firm*—Christie, Parker & Hale, LLP.

(57) **CLAIM**

The ornamental design for a T-hinge strap, as shown and described.

**DESCRIPTION**

FIG. 1 is a top view of the T-hinge strap of the invention.

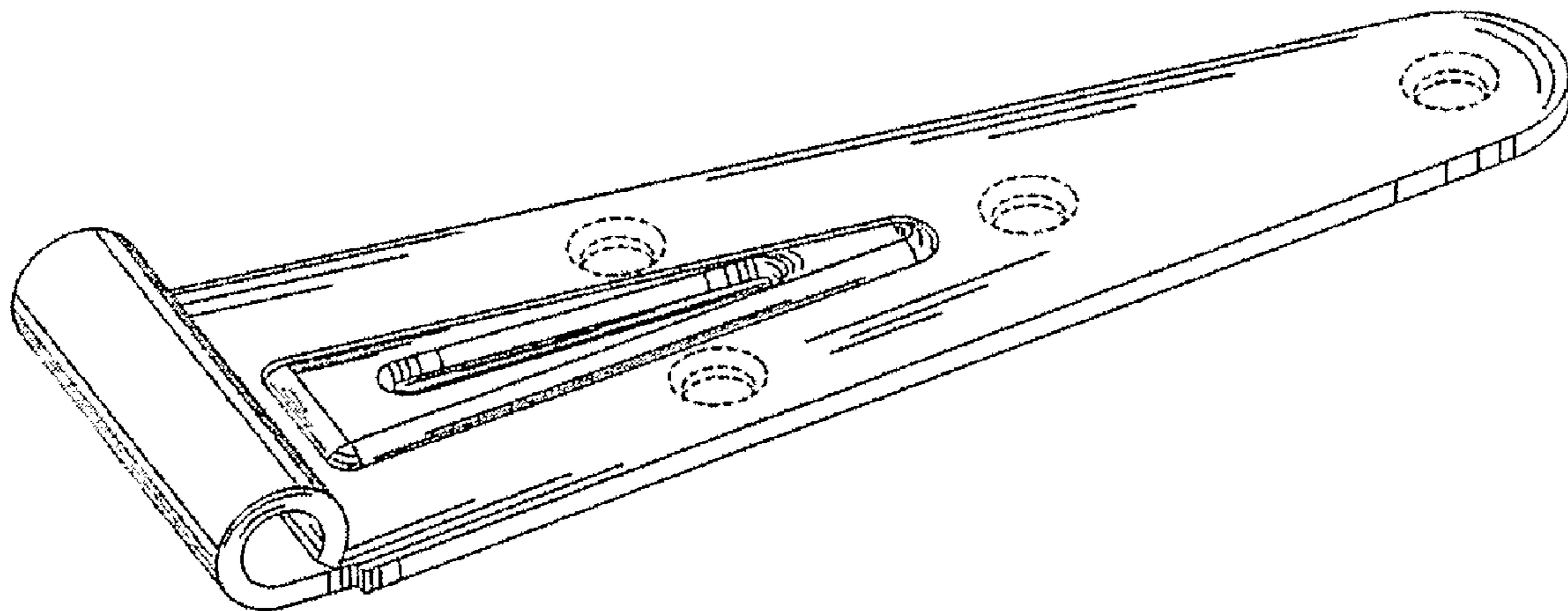
FIG. 2 is a right side view of the T-hinge strap of FIG. 1.

FIG. 3 is a top rear right isometric view of the T-hinge strap of FIG. 1; and,

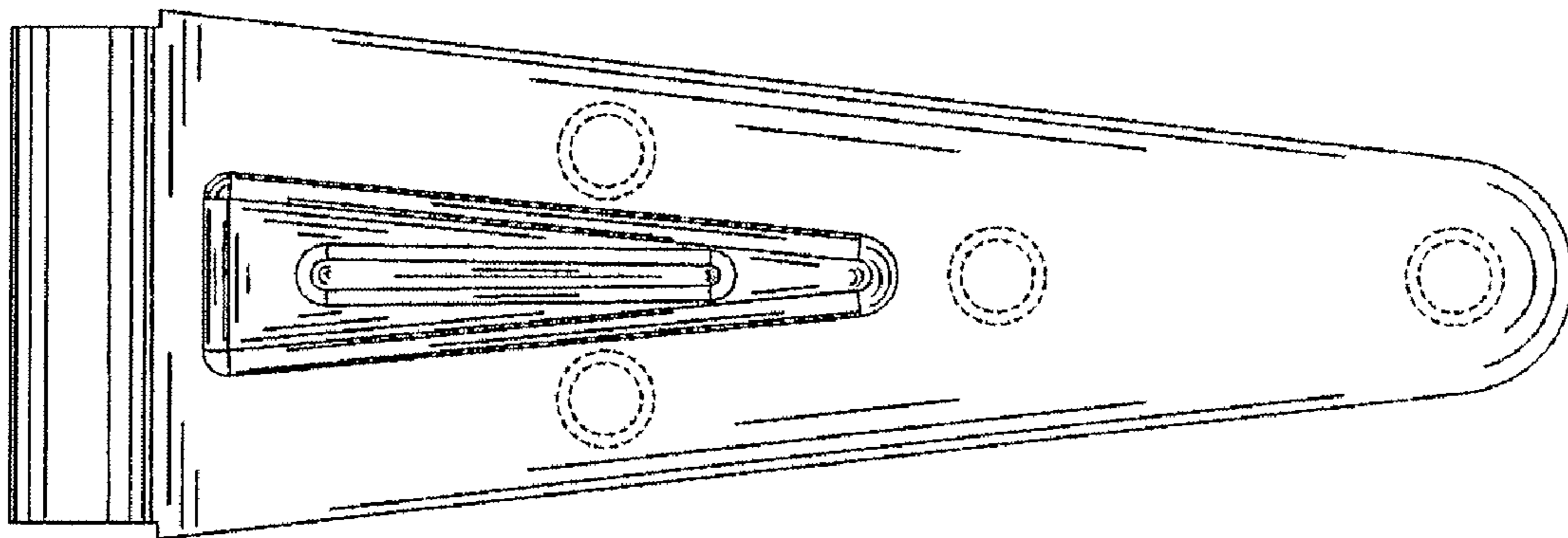
FIG. 4 is a top rear left isometric view of the T-hinge strap of FIG. 1.

In normal use, the bottom of the T-hinge strap is not seen. Items shown in phantom lines form no part of the design. The left side view of the T-hinge strap is a mirror image of the right side view shown in FIG. 2.

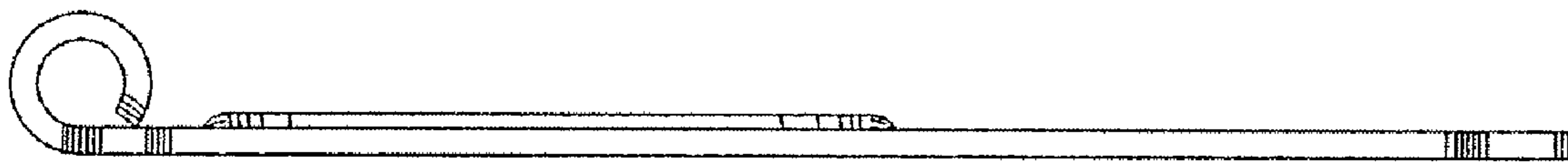
**1 Claim, 4 Drawing Sheets**



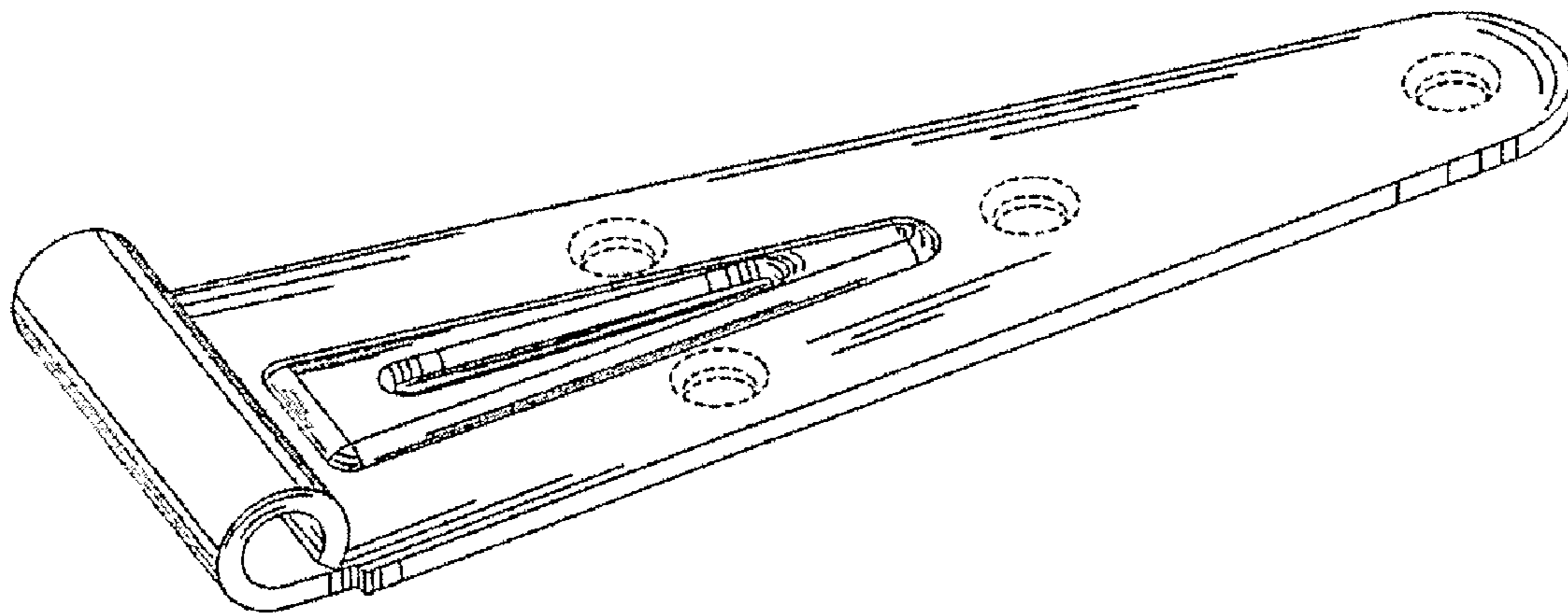
*FIG. 1*



*FIG. 2*



*FIG. 3*



*FIG. 4*

