



US00D582248S

(12) **United States Design Patent**  
**Lucchini**

(10) **Patent No.:** **US D582,248 S**  
(45) **Date of Patent:** **\*\* Dec. 9, 2008**

(54) **TOILET SEAT HINGE**

(75) Inventor: **Francesco Carra Lucchini**, Turin (IT)

(73) Assignee: **Bemis Manufacturing Company**,  
Sheboygan Falls, WI (US)

(\*\*) Term: **14 Years**

(21) Appl. No.: **29/295,564**

(22) Filed: **Oct. 1, 2007**

(51) **LOC (8) Cl.** ..... **08-06**

(52) **U.S. Cl.** ..... **D8/326**

(58) **Field of Classification Search** ..... D8/323-329;  
4/234, 236, 237, 240; 16/221, 224, 235,  
16/237, 239, 241, 245, 246, 249, 254, 261,  
16/262, 265, 272, 277, 307, 319, 335, 339,  
16/342, 379, 382-389

See application file for complete search history.

(56) **References Cited**

**U.S. PATENT DOCUMENTS**

4,314,382	A *	2/1982	Ginsburg et al.	.....	4/236
4,398,307	A *	8/1983	Ginsburg et al.	.....	4/236
D358,973	S	6/1995	Spaeth		
D370,252	S	5/1996	Hulsebus		
D377,306	S *	1/1997	Decker	.....	D8/326
D481,924	S	11/2003	Hulsebus		
D495,233	S	8/2004	Twomey		
6,826,803	B2 *	12/2004	Twomey	.....	16/387
D510,253	S	10/2005	Twomey		
2003/0145429	A1 *	8/2003	Twomey	.....	16/387

\* cited by examiner

*Primary Examiner*—Holly H Baynham

*Assistant Examiner*—Cynthia M Chin

(74) *Attorney, Agent, or Firm*—Michael Best & Friedrich LLP

(57) **CLAIM**

I claim the ornamental design for a toilet seat hinge, as shown and described.

**DESCRIPTION**

FIG. 1 is a perspective view of a toilet seat hinge embodying the invention.

FIG. 2 is a top plan view of the toilet seat hinge shown in FIG. 1.

FIG. 3 is a front elevational view of the toilet seat hinge shown in FIG. 1.

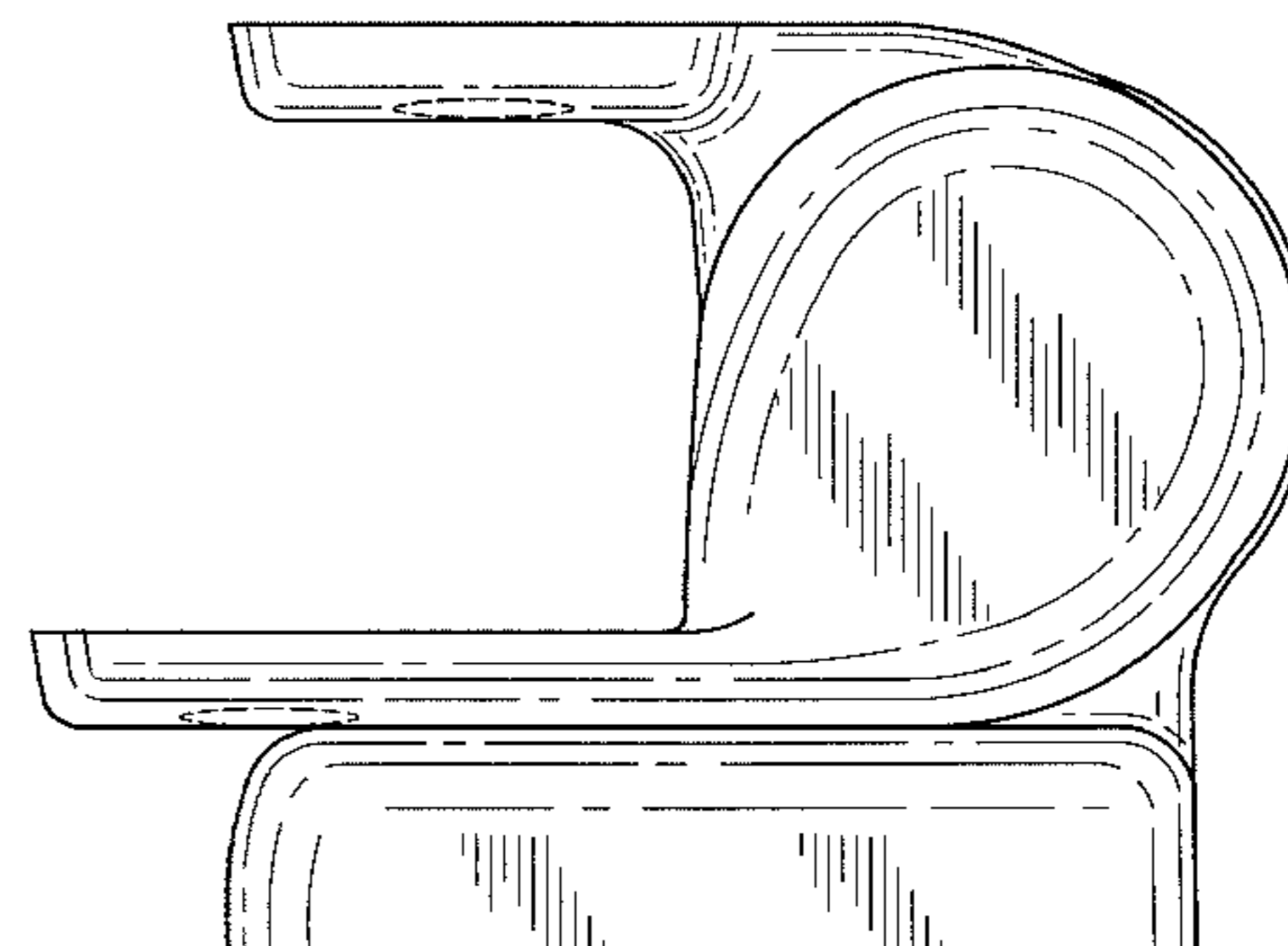
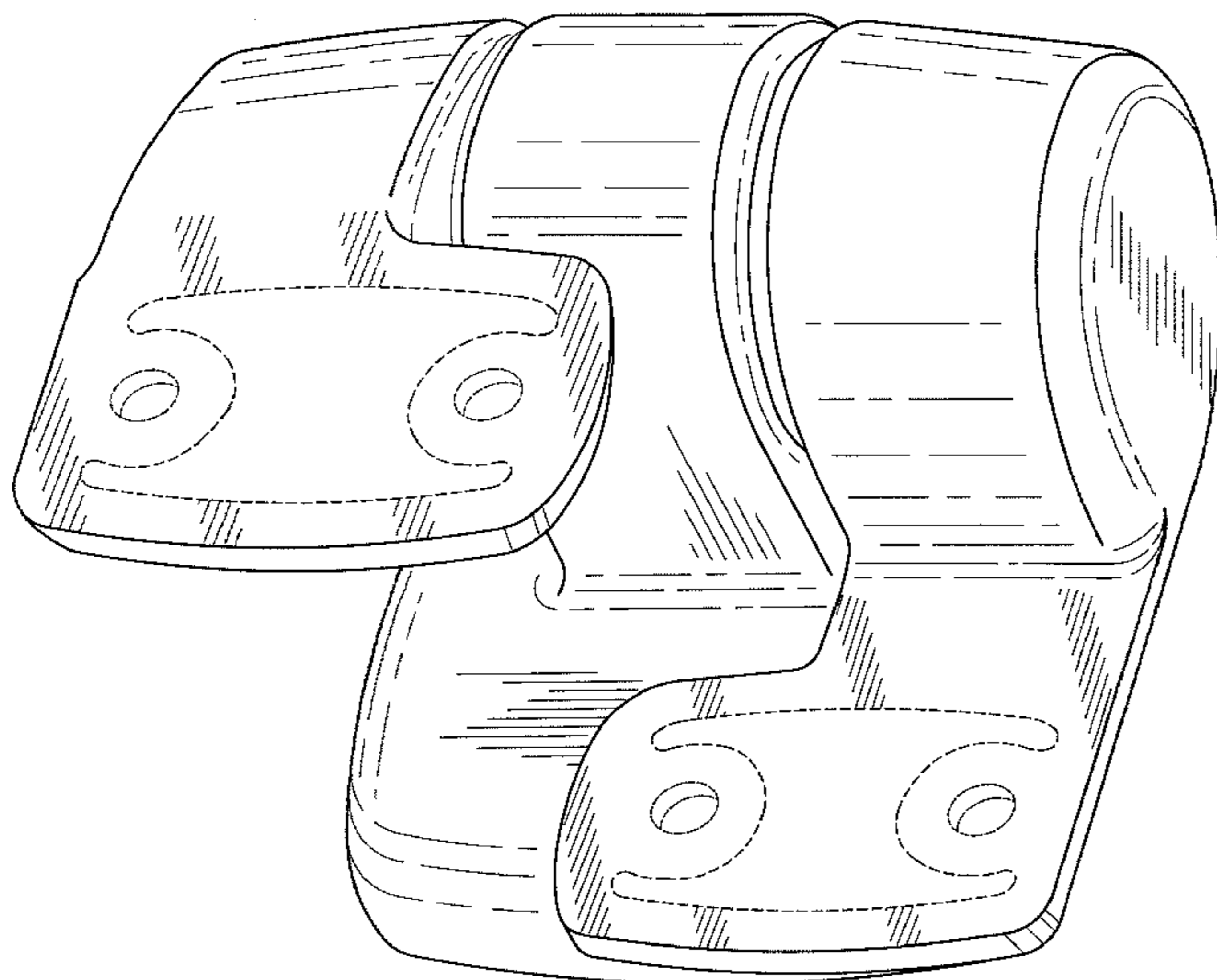
FIG. 4 is a left side view of the toilet seat hinge shown in FIG. 1.

FIG. 5 is a right side view of the toilet seat hinge shown in FIG. 1; and,

FIG. 6 is a rear elevational view of the toilet seat hinge shown in FIG. 1.

The present application is directed to the shape and contour of the design illustrated in the drawings. The bottom view is not part of the claimed design. The elements shown in broken lines are for illustrative purposes only and form no part of the claimed design.

**1 Claim, 6 Drawing Sheets**



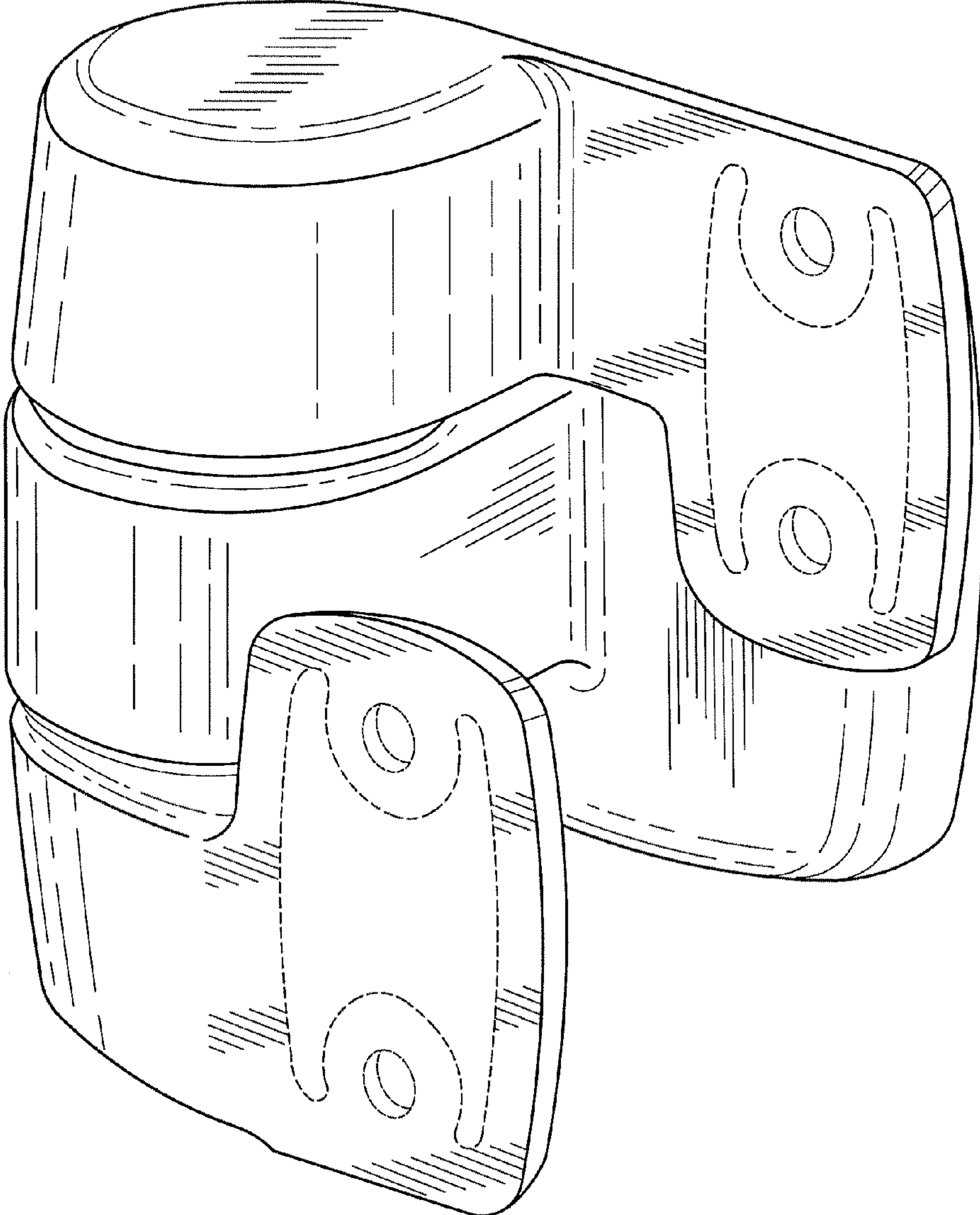


Fig. 1

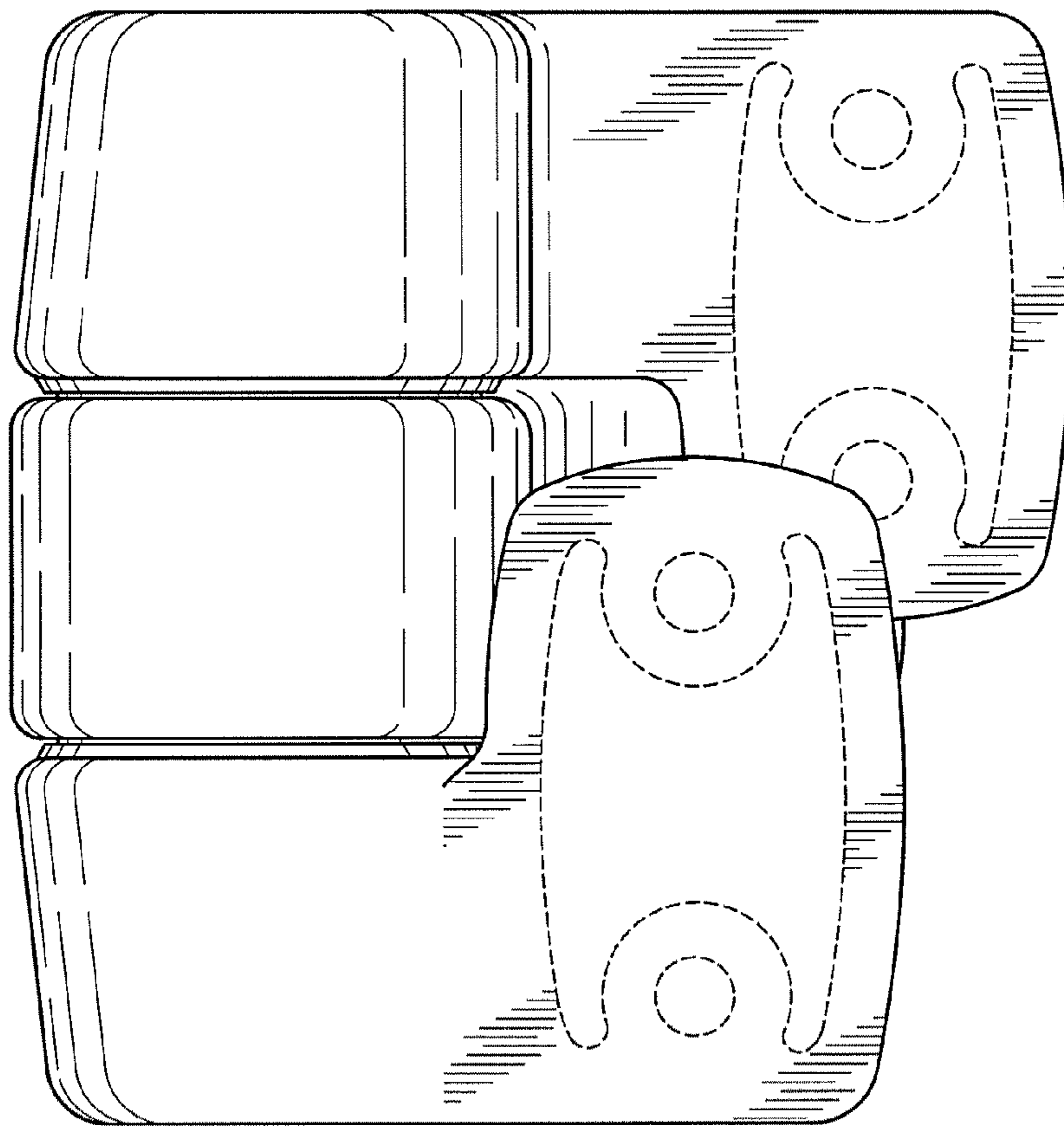


Fig. 2

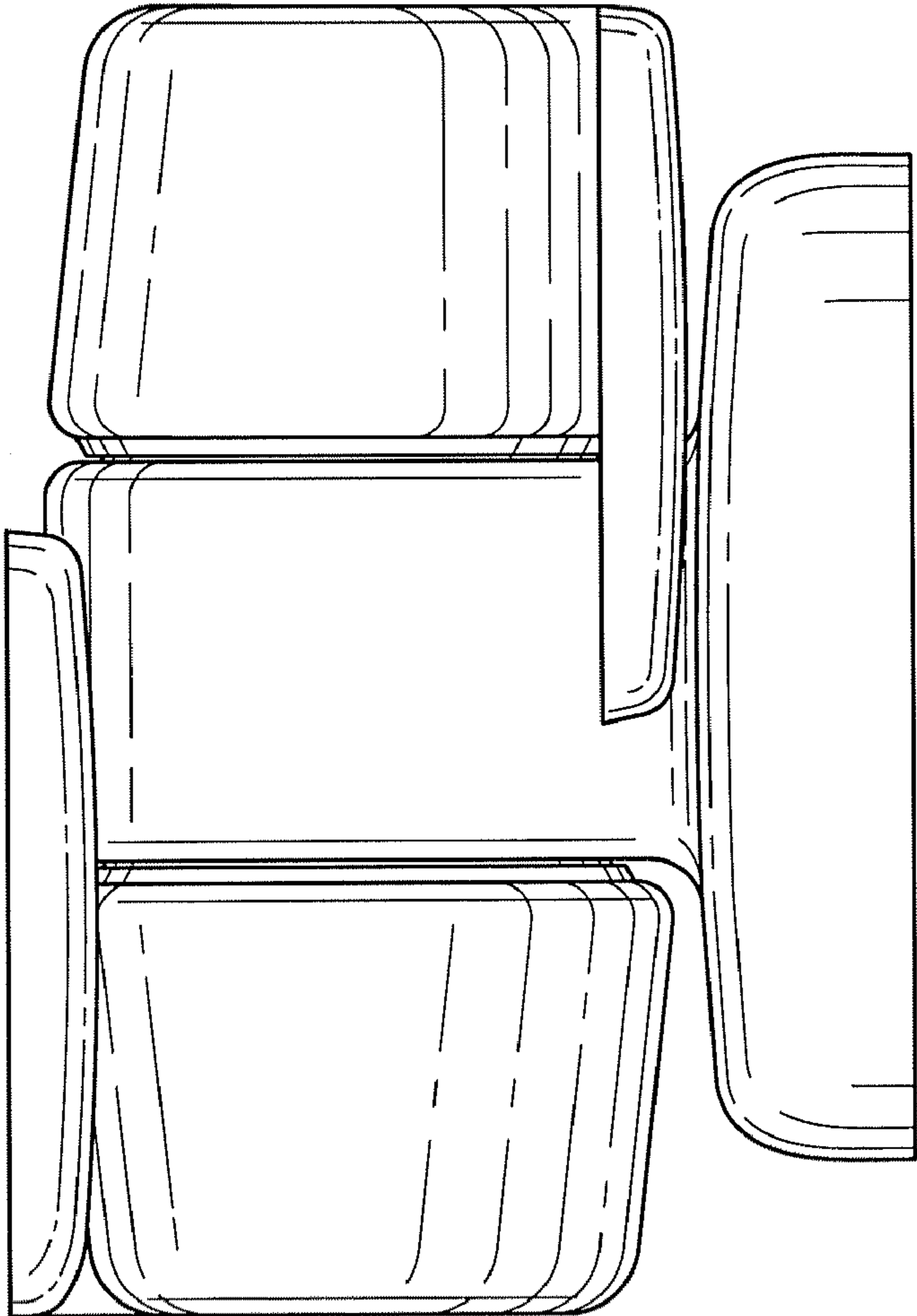


Fig. 3

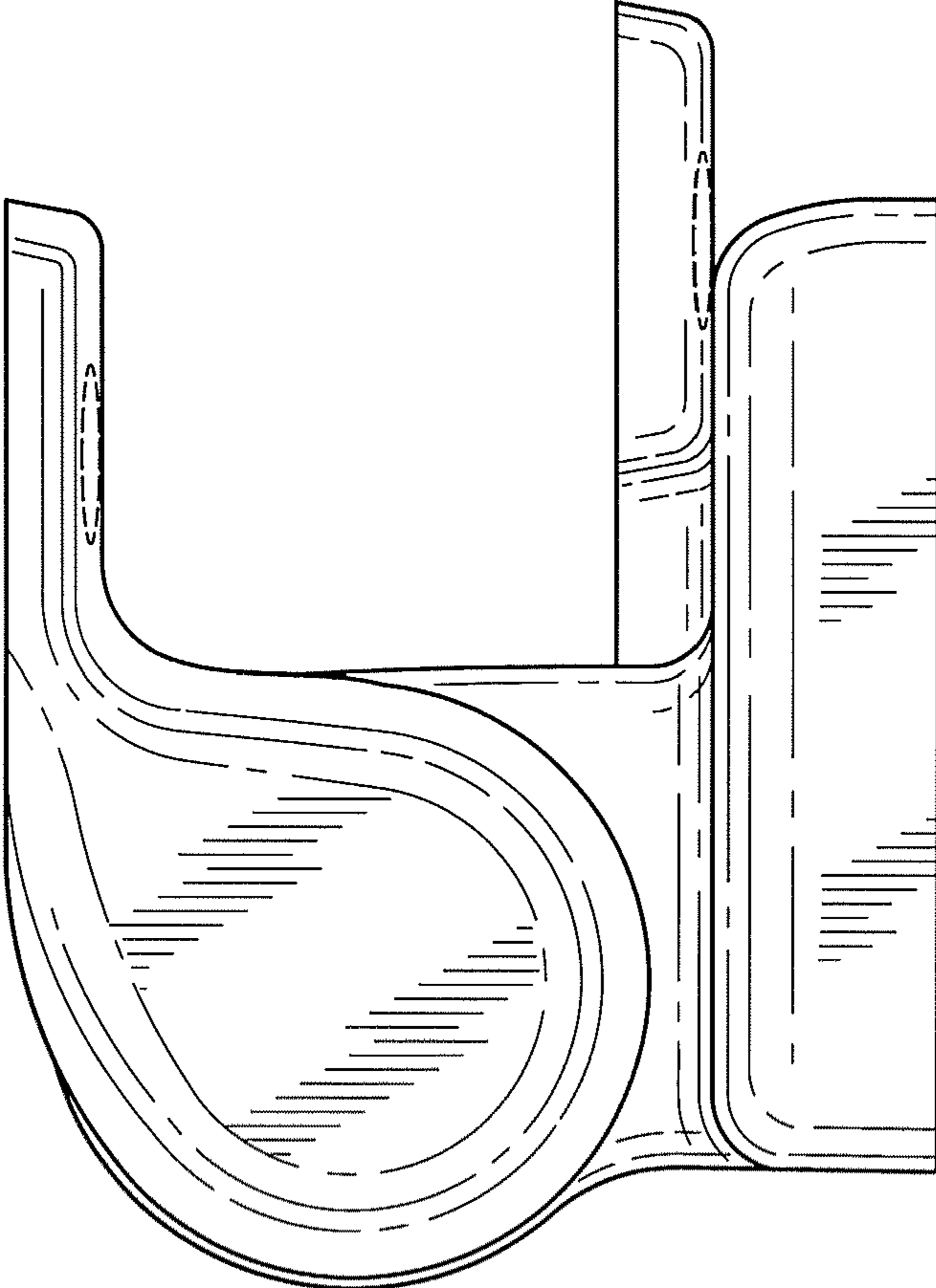


Fig. 4

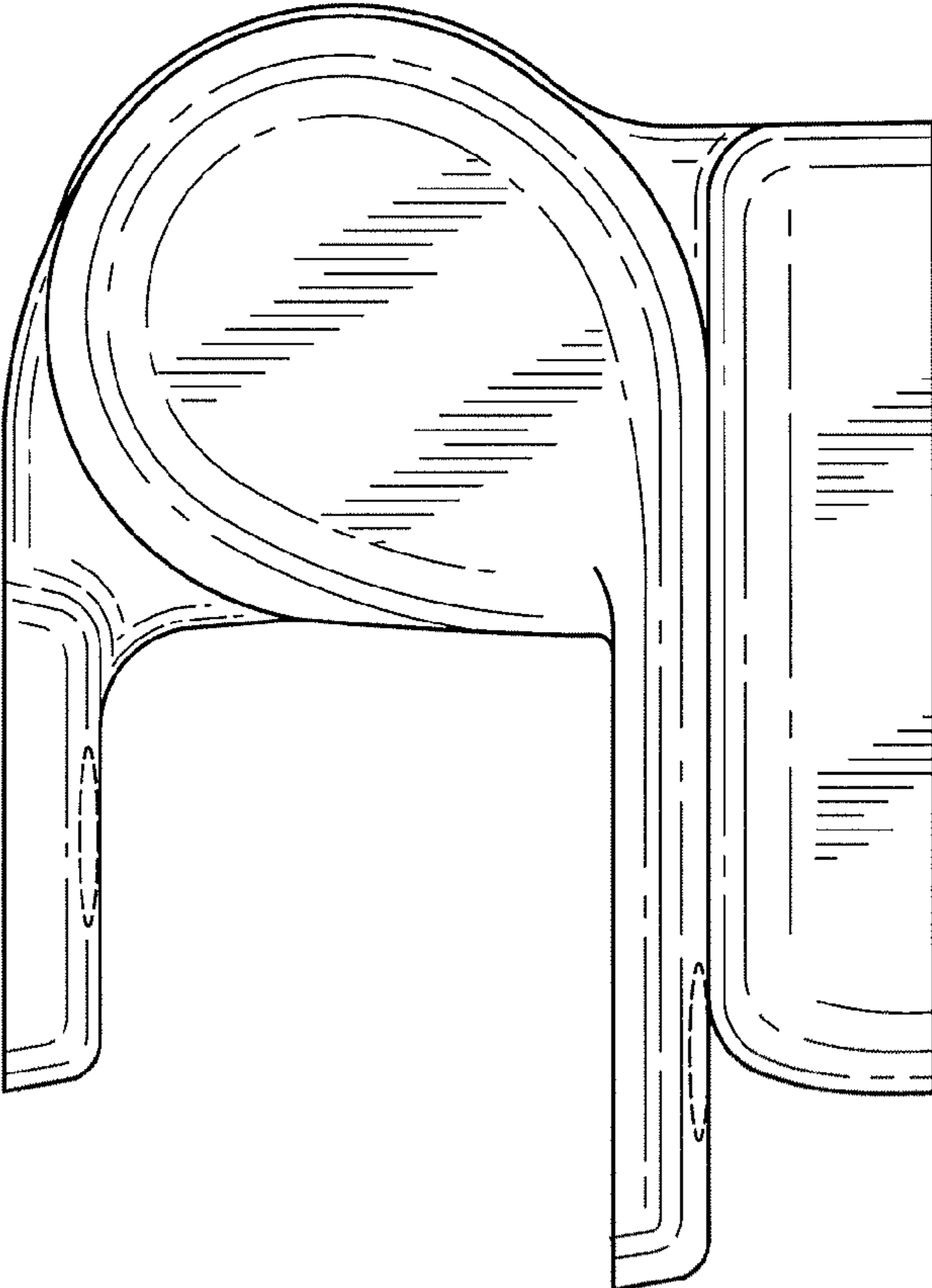


Fig. 5

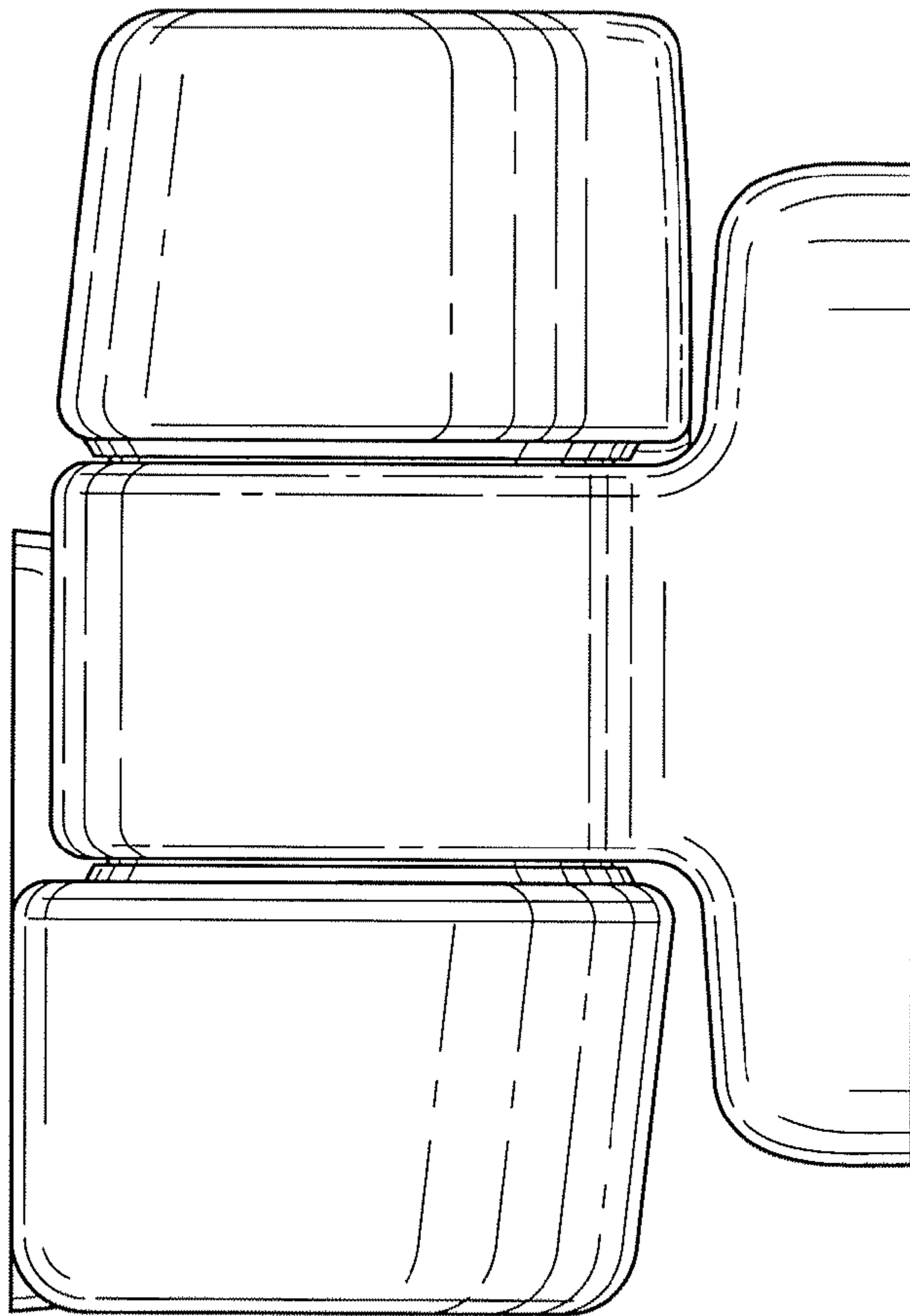


Fig. 6