



US00D582246S

(12) **United States Design Patent**
Veltz

(10) **Patent No.:** **US D582,246 S**
(45) **Date of Patent:** **** Dec. 9, 2008**

(54) **DOOR LEVER**

(75) Inventor: **Jason D. Veltz**, Laguna Hills, CA (US)

(73) Assignee: **Newfrey LLC**, Newark, DE (US)

(**) Term: **14 Years**

(21) Appl. No.: **29/294,177**

(22) Filed: **Dec. 26, 2007**

(51) **LOC (8) Cl.** **08-06**

(52) **U.S. Cl.** **D8/308**

(58) **Field of Classification Search** D8/300,
D8/307, 308, DIG. 10, 301; D23/252; 16/110.1;
74/523, 543, 224; 292/336.3, 347, 357
See application file for complete search history.

(56) **References Cited**

U.S. PATENT DOCUMENTS

4,343,502	A *	8/1982	Nelson	292/356
4,569,547	A *	2/1986	Fayerman et al.	292/347
D289,369	S *	4/1987	Foshee	D8/308
D311,321	S *	10/1990	Jans	D8/308
D313,542	S *	1/1991	Fayerman	D8/308
D323,610	S *	2/1992	Tye et al.	D8/308
D346,105	S *	4/1994	Shaanan	D8/301
D346,947	S *	5/1994	Birch	D8/308
D348,821	S *	7/1994	Carsello	D8/308
D361,488	S *	8/1995	Carsello	D8/308
D361,489	S *	8/1995	Carsello	D8/308
D363,205	S *	10/1995	Glenn	D8/308
D368,637	S *	4/1996	Rochette et al.	D8/308
D369,086	S *	4/1996	Bergen	D8/308
5,520,427	A *	5/1996	Mader	292/336.3
5,617,749	A *	4/1997	Park	70/224
D379,916	S *	6/1997	Chung	D8/308
D380,133	S *	6/1997	Rochette et al.	D8/301
D393,994	S *	5/1998	Hankel et al.	D8/302
5,787,744	A *	8/1998	Berger et al.	70/422
D400,776	S *	11/1998	Prevot et al.	D8/301

5,904,232	A *	5/1999	Shen	192/69.62
5,934,117	A *	8/1999	Shen	70/224
5,992,189	A *	11/1999	McCaa	70/149
D444,694	S *	7/2001	Alvarado	D8/301
6,527,314	B2 *	3/2003	Brown	292/336.3
6,619,710	B1 *	9/2003	Hwang	292/336.3
6,626,018	B2 *	9/2003	Eller et al.	70/224
6,886,871	B1 *	5/2005	Shen	292/336
6,979,029	B2 *	12/2005	Shen	292/336.3
7,066,507	B2 *	6/2006	Don	292/336.3
7,077,437	B2 *	7/2006	Huang	292/336.3
D534,784	S *	1/2007	Veltz	D8/308
D537,702	S *	3/2007	Roberts, III	D8/308
D542,114	S *	5/2007	Fan et al.	D8/308

* cited by examiner

Primary Examiner—Paula Greene

(74) *Attorney, Agent, or Firm*—Richard J. Veltman; John O. DelPonti

(57) **CLAIM**

The ornamental design for a door lever, as shown and described.

DESCRIPTION

FIG. 1 is a side perspective view of a door lever according to our new design.

FIG. 2 is a bottom view of the door lever as in FIG. 1.

FIG. 3 is a top view of the door lever as in FIGS. 1–2.

FIG. 4 is a front view of the door lever as in FIGS. 1–3.

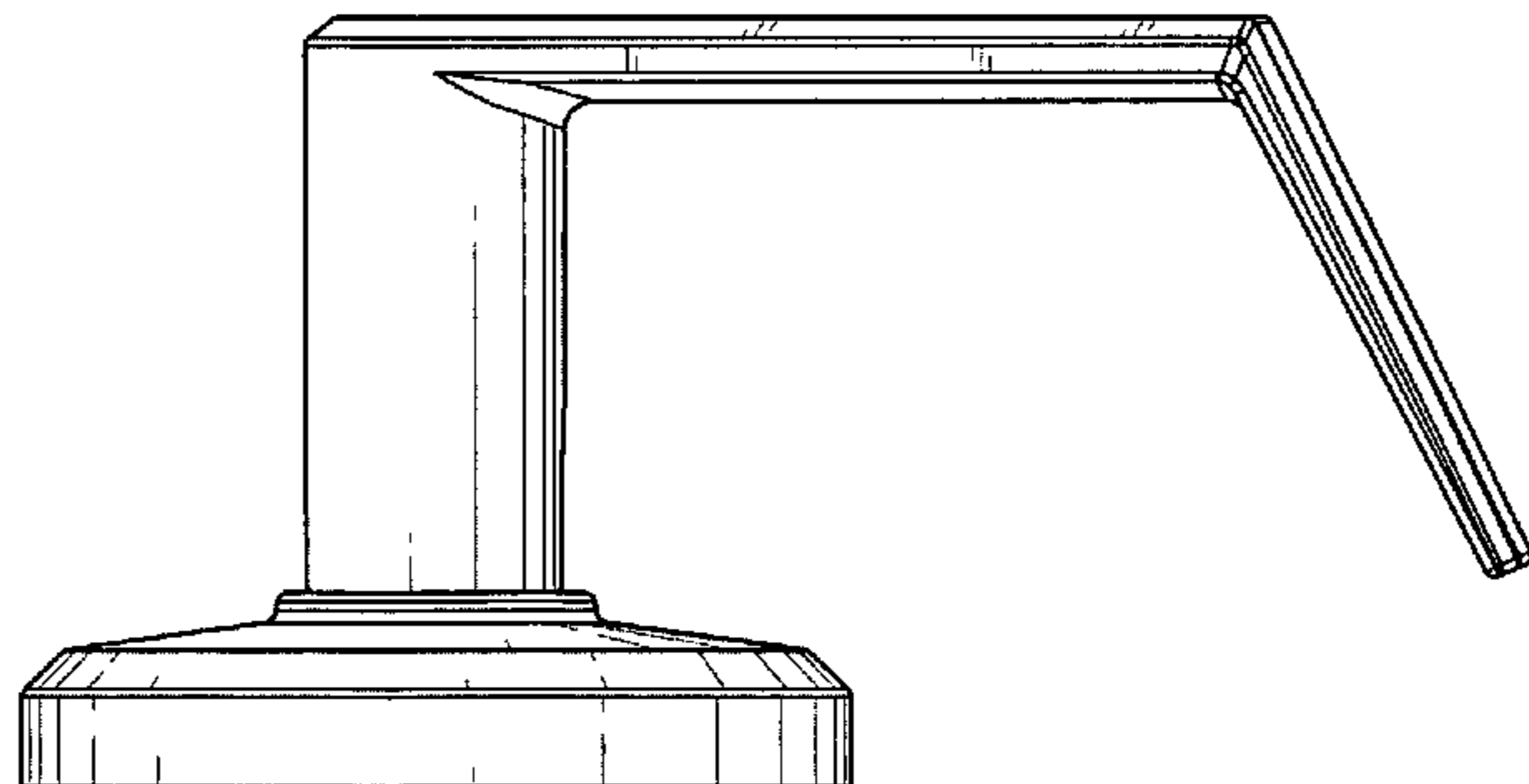
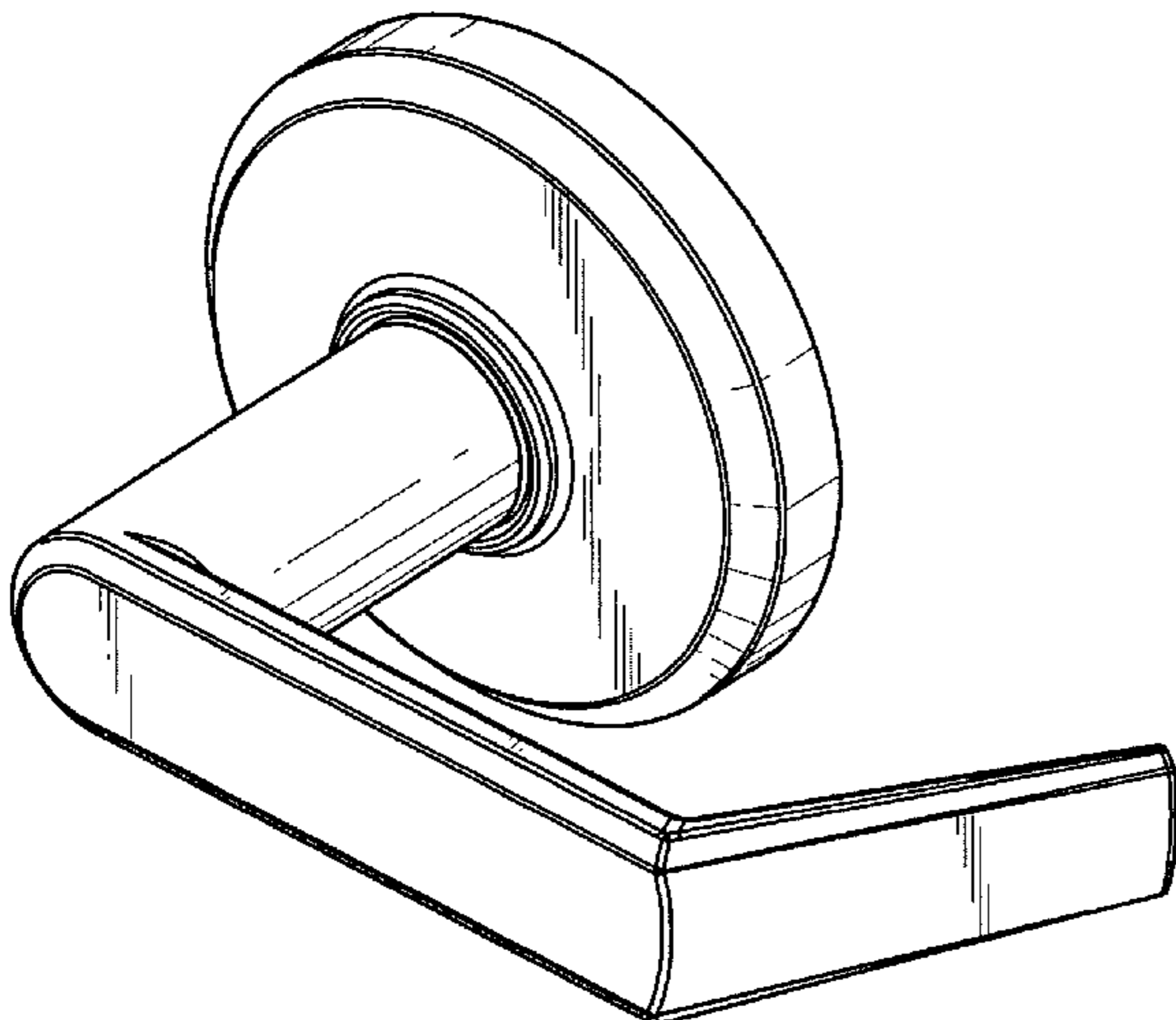
FIG. 5 is a right side view of the door lever as in FIGS. 1–4.

FIG. 6 is a left side view of the door lever as in FIGS. 1–5; and,

FIG. 7 is a back view of the door lever as in FIGS. 1–6, the bottom is plane and unornamented.

The design of the present invention and as shown in FIGS. 1–7 is an ornamental door lever.

1 Claim, 4 Drawing Sheets



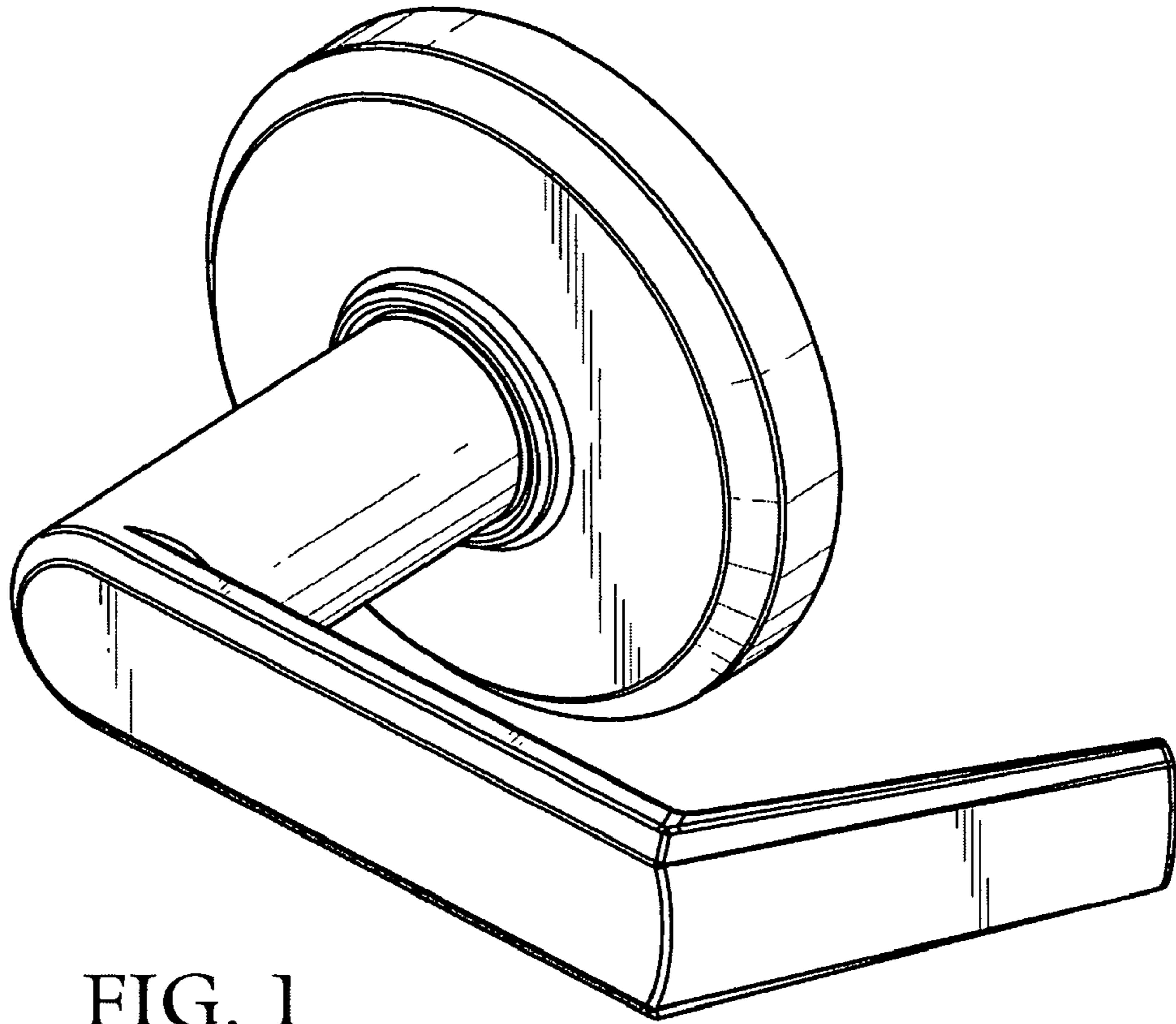


FIG. 1

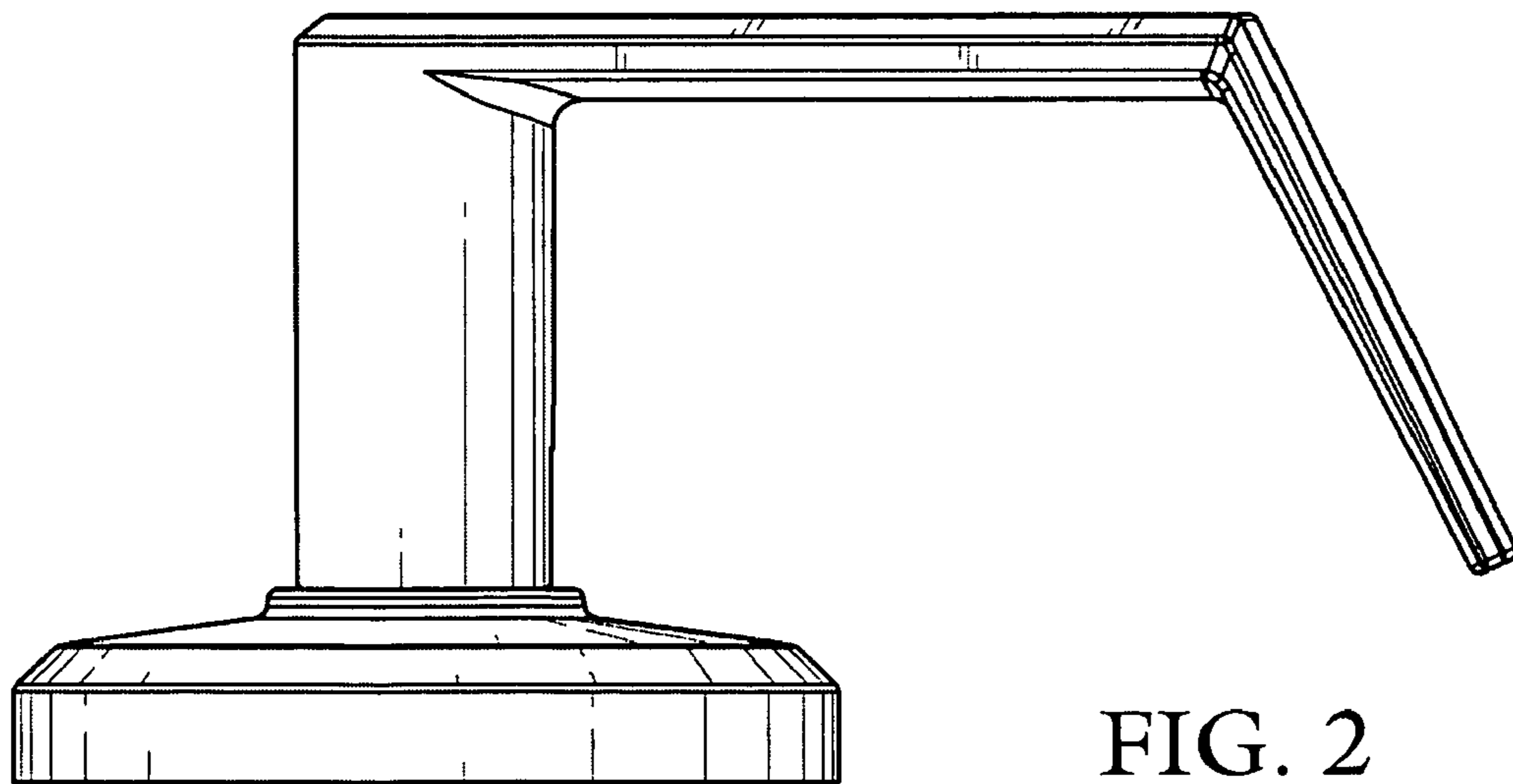


FIG. 2

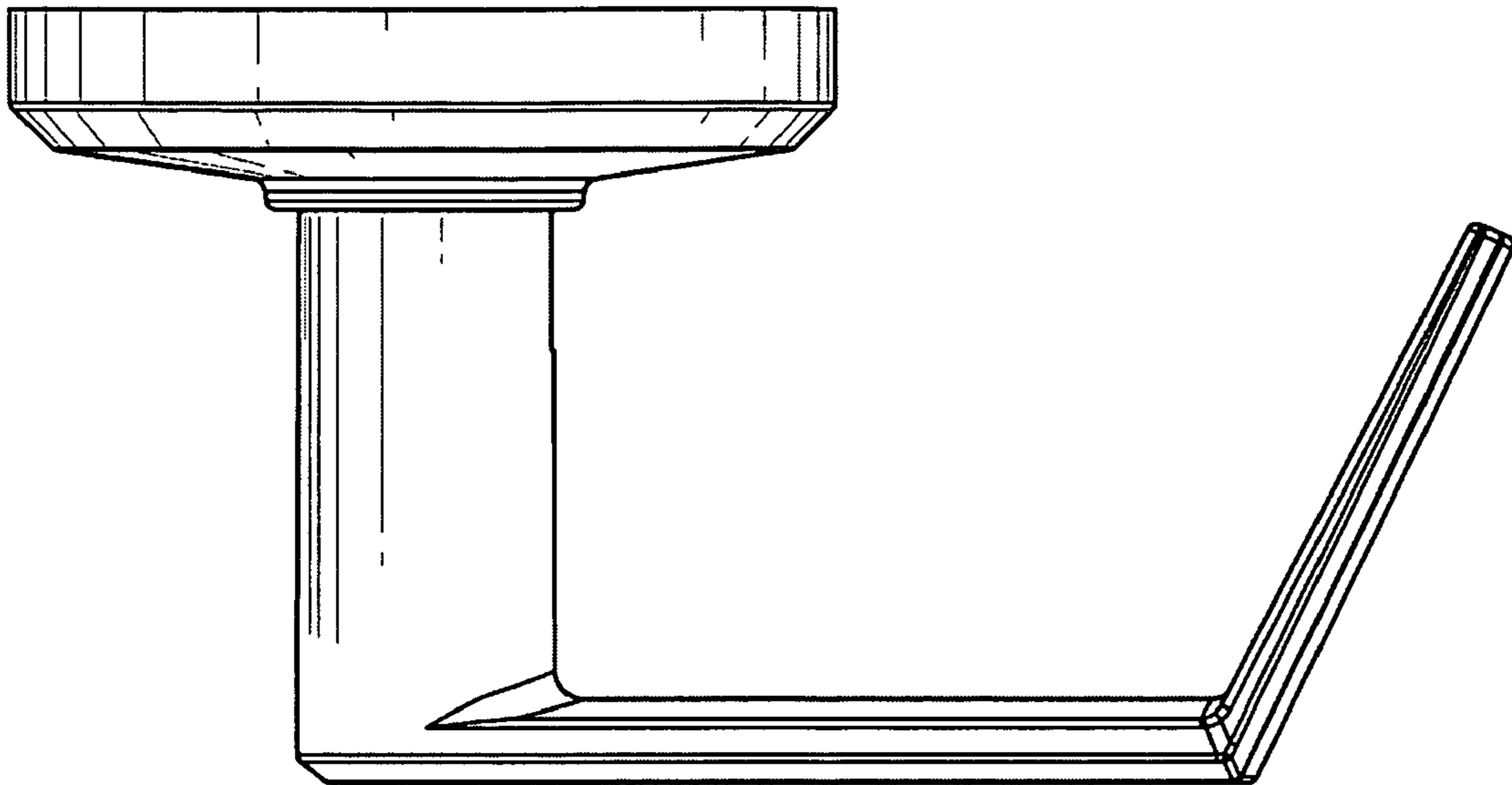


FIG. 3

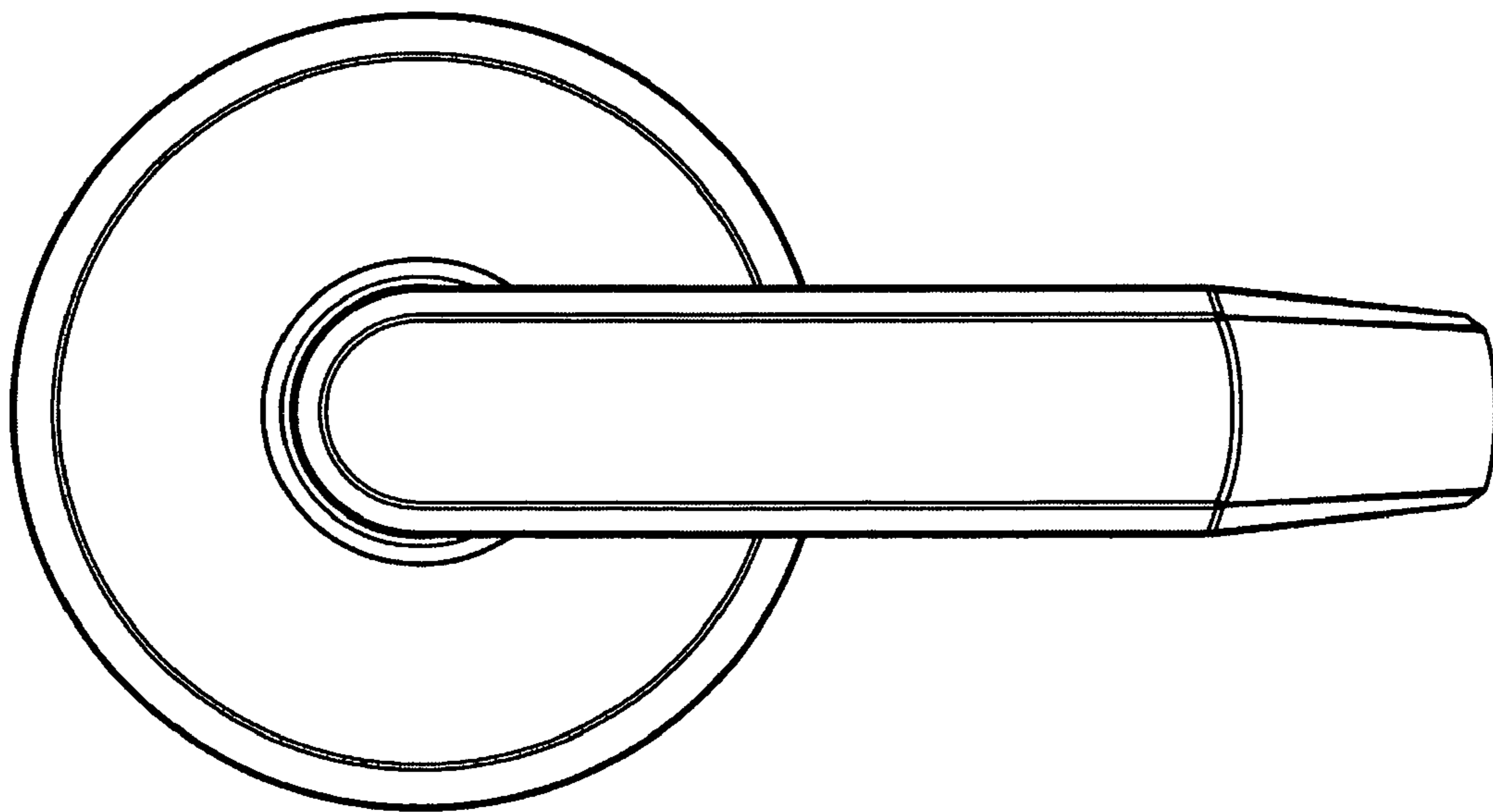


FIG. 4

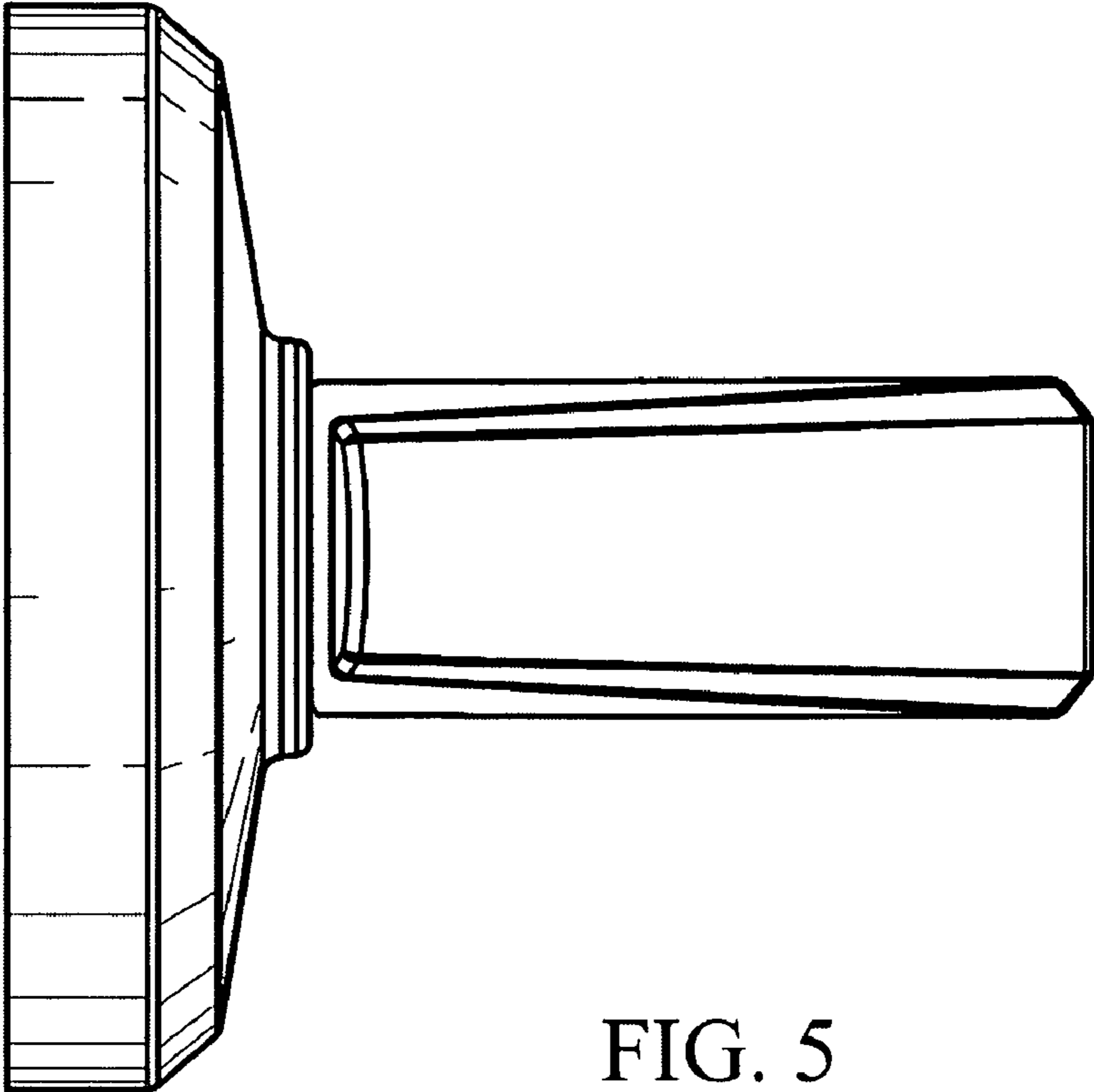


FIG. 5

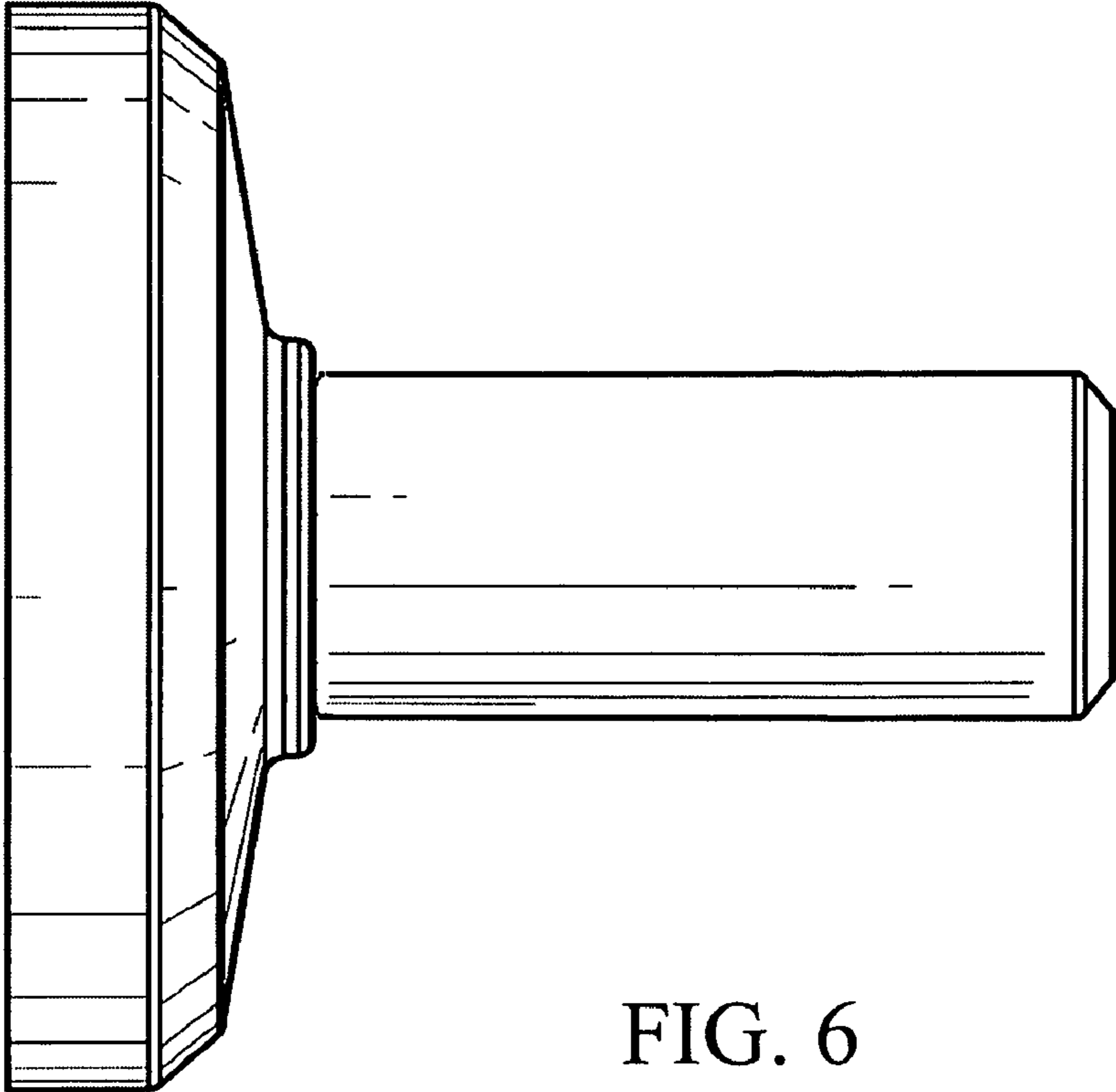


FIG. 6

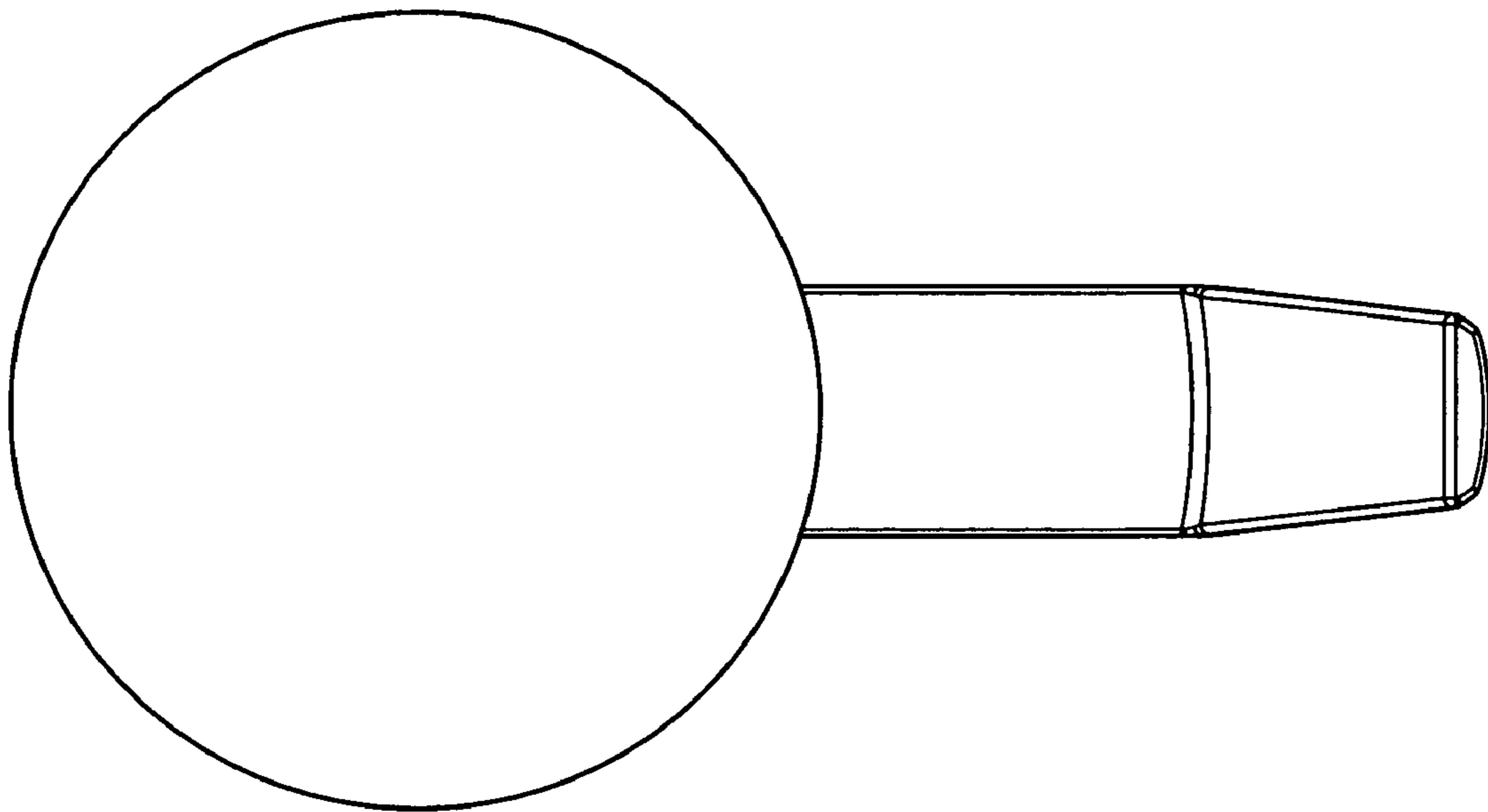


FIG. 7