



US00D582240S

(12) **United States Design Patent**  
**Benktzon et al.**

(10) **Patent No.:** **US D582,240 S**

(45) **Date of Patent:** **\*\* Dec. 9, 2008**

(54) **BLISTER PACK DEVICE**

(75) Inventors: **Maria Benktzon**, Bromma (SE);  
**Anders Löfgren**, Södertälje (SE); **Sofia**  
**Jacobsson**, Bromma (SE); **Thomas**  
**Nilsson**, Bromma (SE); **Ulrika**  
**Vejbrink**, Bromma (SE)

(73) Assignee: **AstraZeneca AB**, Sodertalje (SE)

(\*\*) Term: **14 Years**

(21) Appl. No.: **29/297,467**

(22) Filed: **Nov. 12, 2007**

**Related U.S. Application Data**

(62) Division of application No. 29/259,702, filed on May 12, 2006.

(30) **Foreign Application Priority Data**

Nov. 15, 2005 (EM) ..... 0431770-0001  
Nov. 15, 2005 (EM) ..... 0431770-0002

(51) **LOC (8) Cl.** ..... **08-05**

(52) **U.S. Cl.** ..... **D8/98; D8/98; D24/133**

(58) **Field of Classification Search** ..... D8/14,  
D8/51, 52, 98, 395; D24/133; 30/363, 364;  
221/25, 26, 131; D9/435

See application file for complete search history.

(56) **References Cited**

**U.S. PATENT DOCUMENTS**

5,009,561 A 4/1991 Lombardino et al.  
D317,571 S 6/1991 Henriksson  
5,431,283 A 7/1995 Weinstein et al.  
5,472,115 A 12/1995 Whiton  
D367,744 S 3/1996 White  
D391,851 S 3/1998 Joergensen  
5,722,563 A 3/1998 Hunts  
5,791,513 A 8/1998 Intini  
5,853,101 A 12/1998 Weinstein  
6,206,233 B1 3/2001 Schulze

D444,361 S 7/2001 Schulze  
6,557,740 B1 5/2003 Dent  
D482,968 S 12/2003 Henriksson  
D517,884 S 3/2006 Ellingwood  
D533,661 S 12/2006 Yip

**FOREIGN PATENT DOCUMENTS**

DE 3922763 A1 7/1989  
EP 629554 A1 12/1994  
GB 2317587 A 1/1998  
JP 3000688 1/1991  
WO WO 03/070598 A1 8/2003  
WO WO 2007/058586 5/2007

*Primary Examiner*—Philip S Hyder

(74) *Attorney, Agent, or Firm*—White & Case LLP

(57) **CLAIM**

The ornamental design for a blister pack device, as shown and described.

**DESCRIPTION**

FIG. 1 illustrates a perspective view of an embodiment of a blister pack device, embodying our design, in the open position;

FIG. 2 illustrates a side view thereof;

FIG. 3 illustrates a top view thereof;

FIG. 4 illustrates a bottom view thereof;

FIG. 5 illustrates a front view thereof;

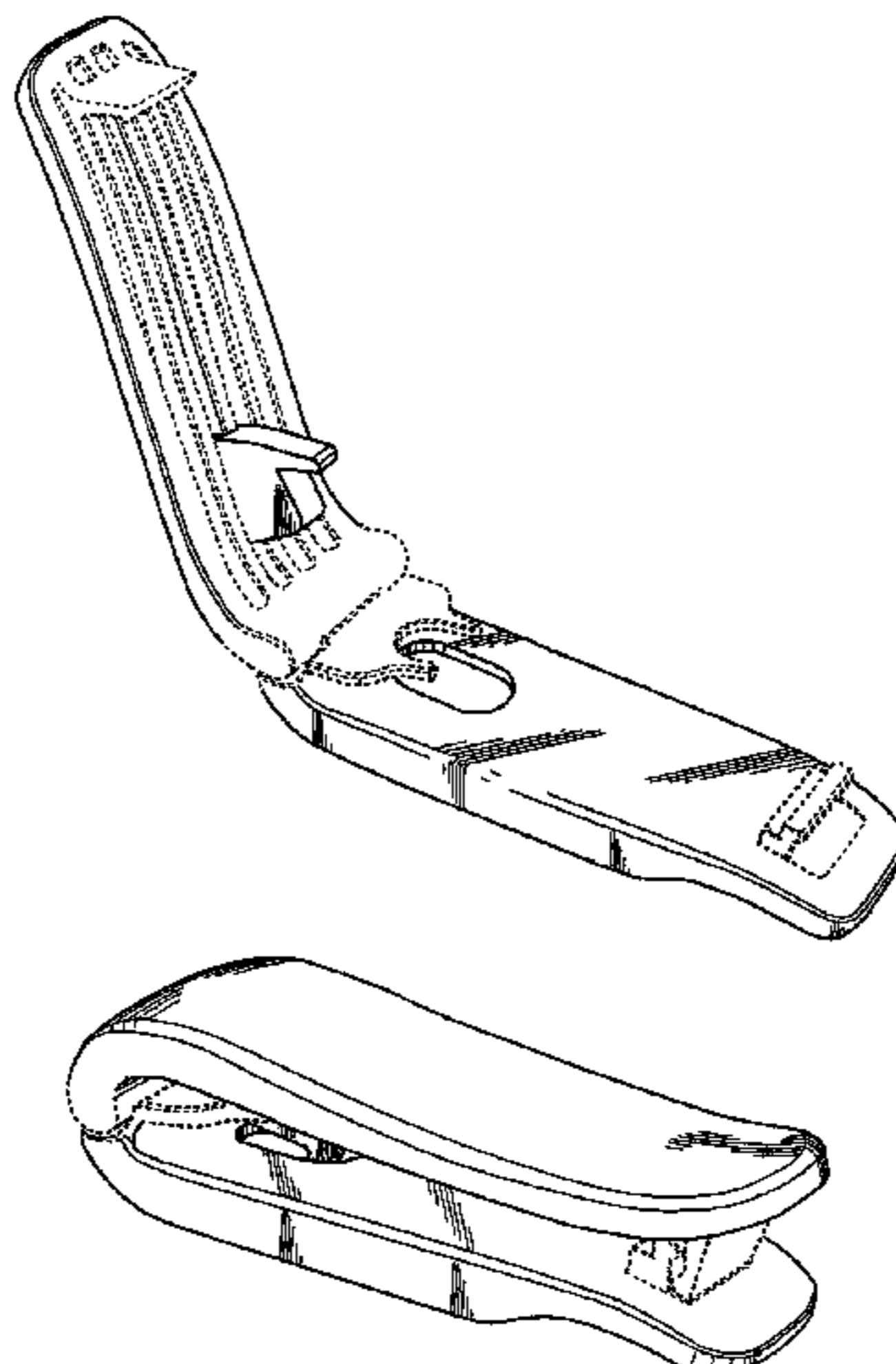
FIG. 6 illustrates a rear view thereof;

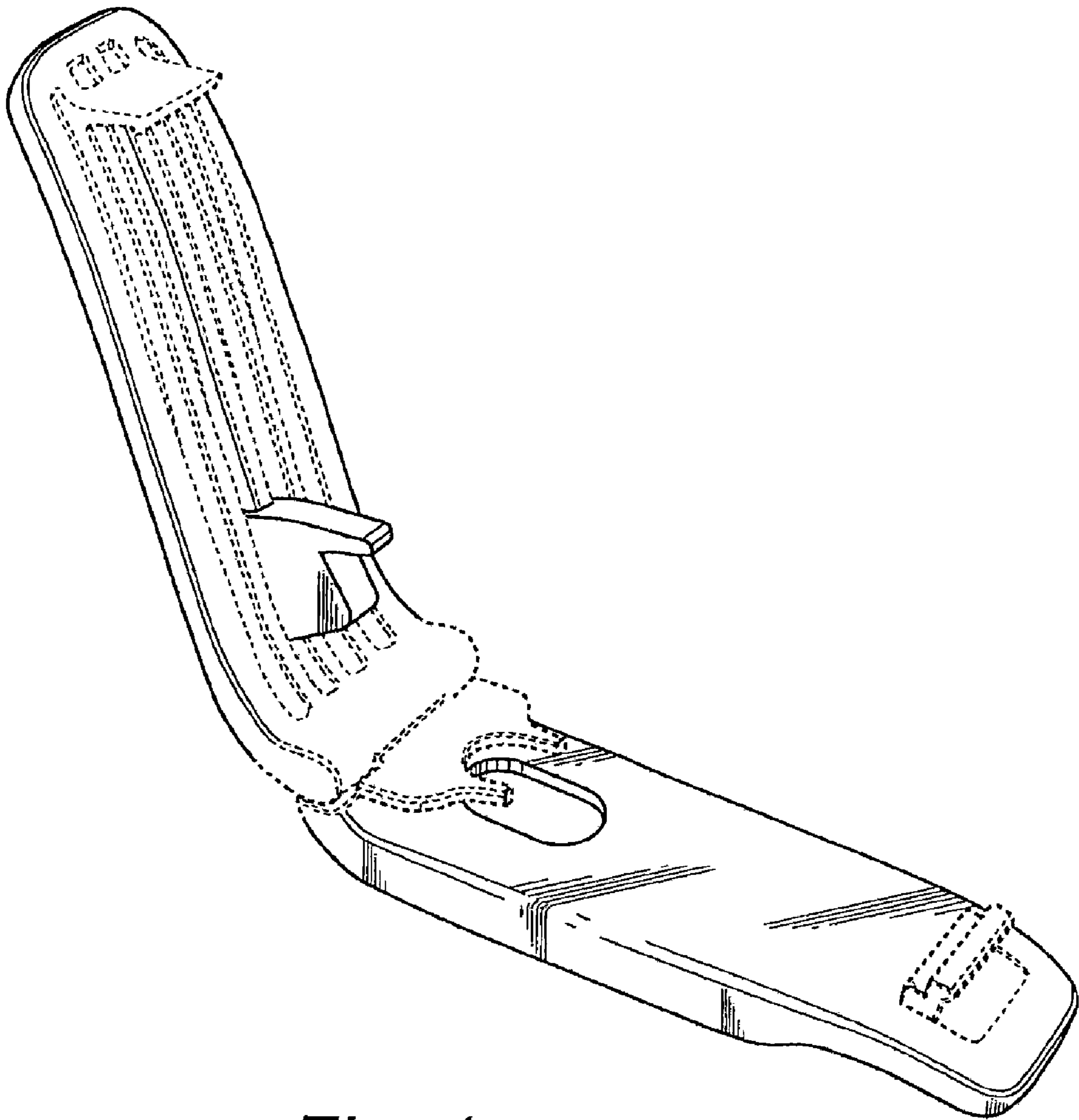
FIG. 7 illustrates a perspective view of an embodiment of a blister pack device, embodying our design, in a closed position; and,

FIG. 8 illustrates a side view of an embodiment of a blister pack device, embodying our design, in an open position as seen from the opposite side of FIG. 2.

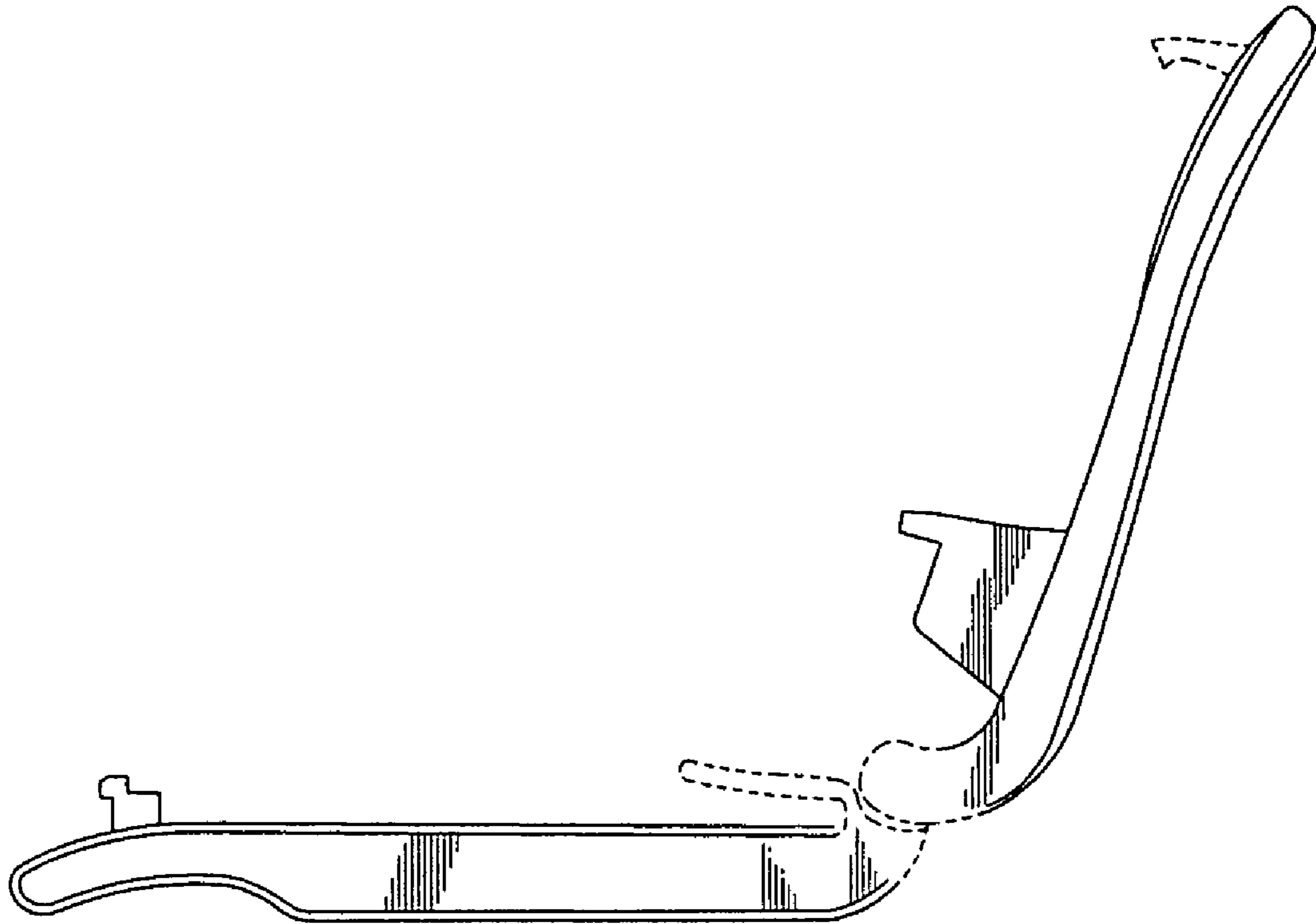
The broken lines shown in FIGS. 1–8 are for illustrative purposes only and form no part of this embodiment of the claimed design.

**1 Claim, 5 Drawing Sheets**

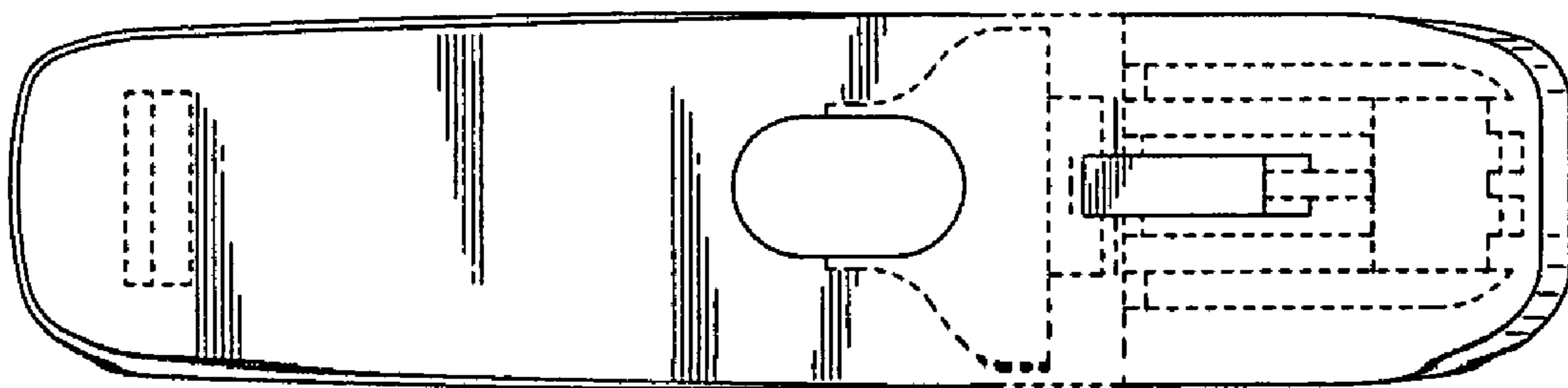




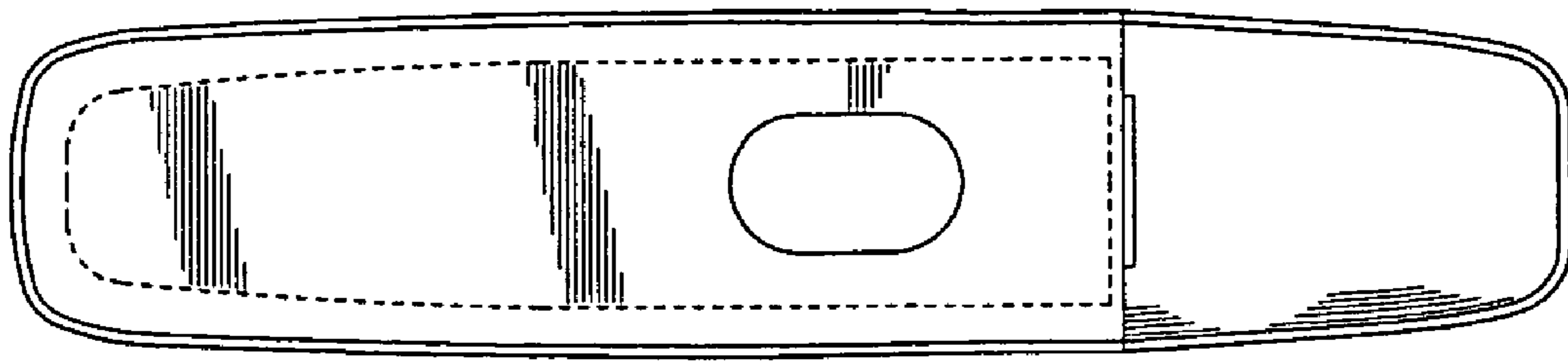
*Fig. 1*



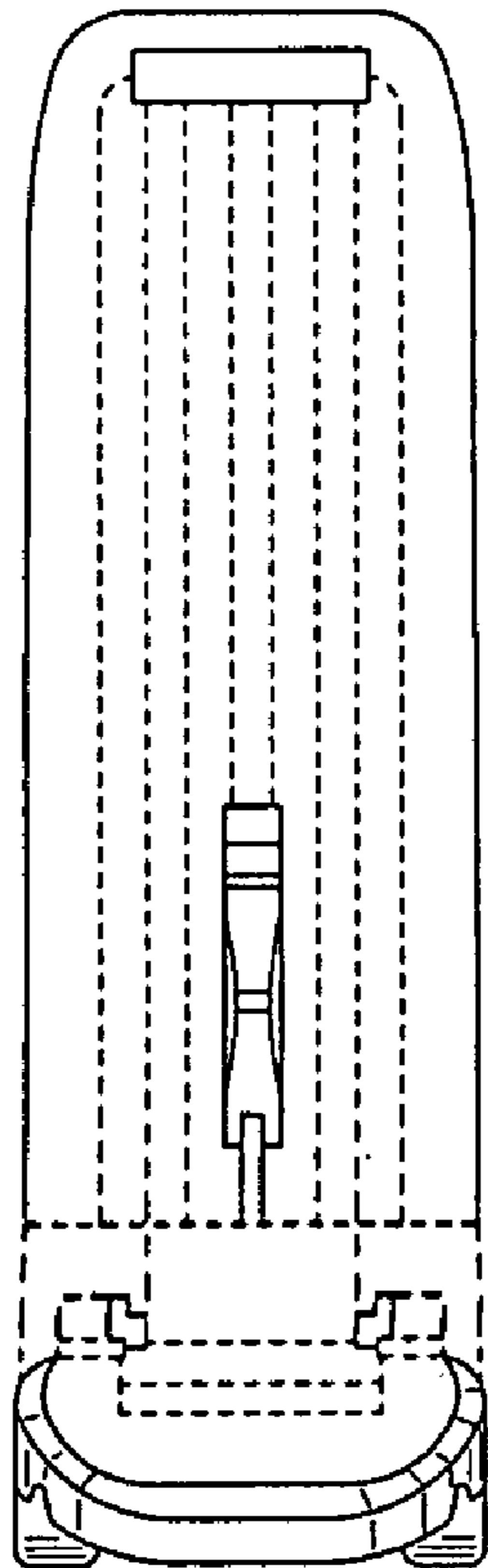
*Fig. 2*



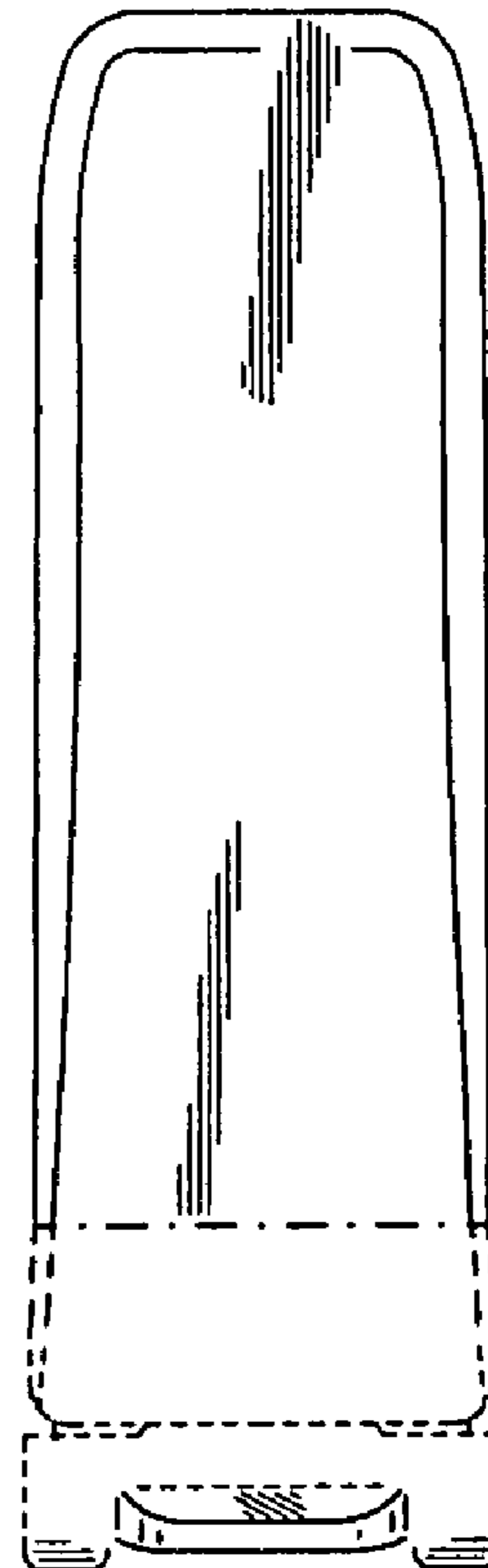
*Fig. 3*



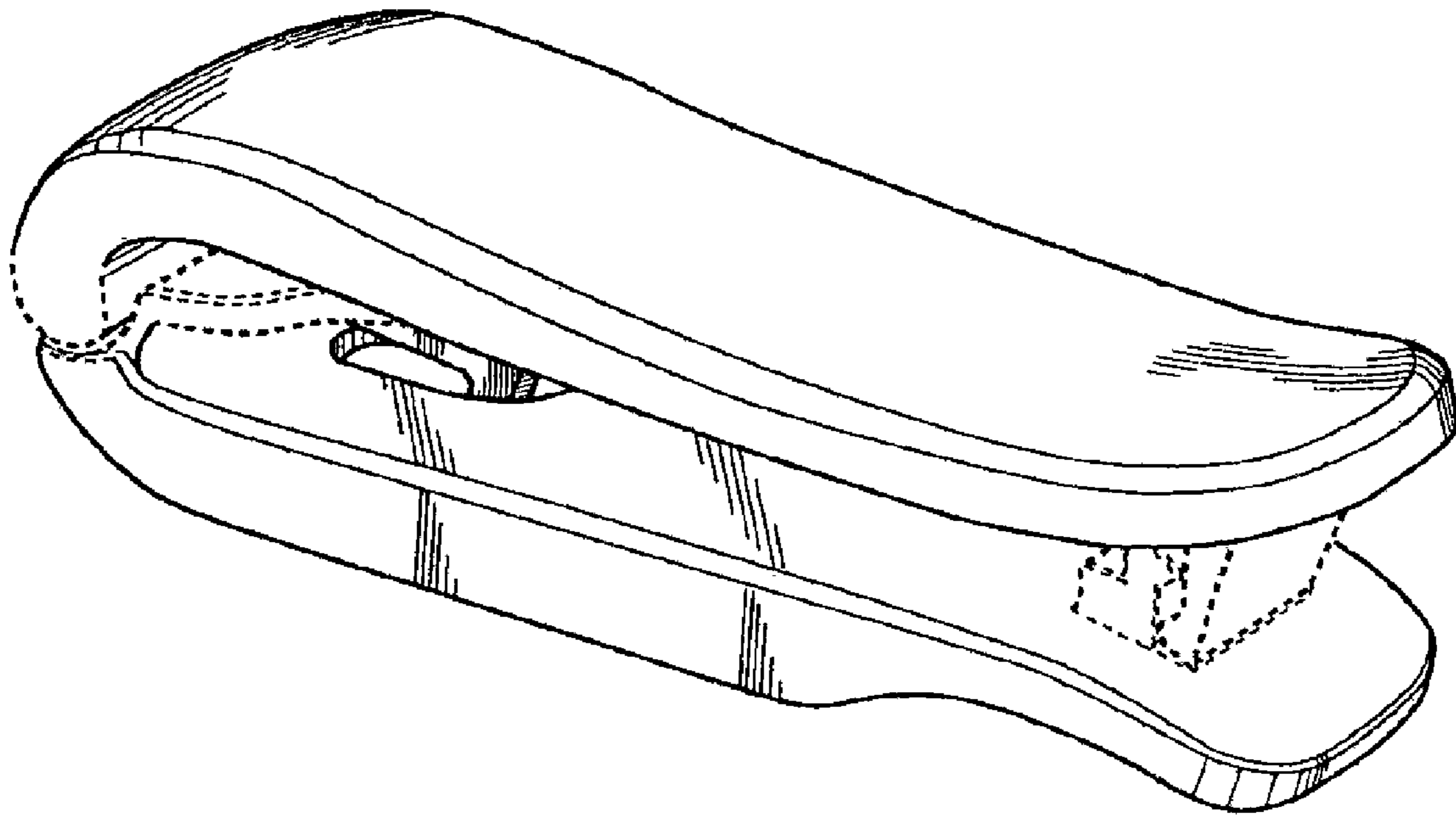
*Fig. 4*



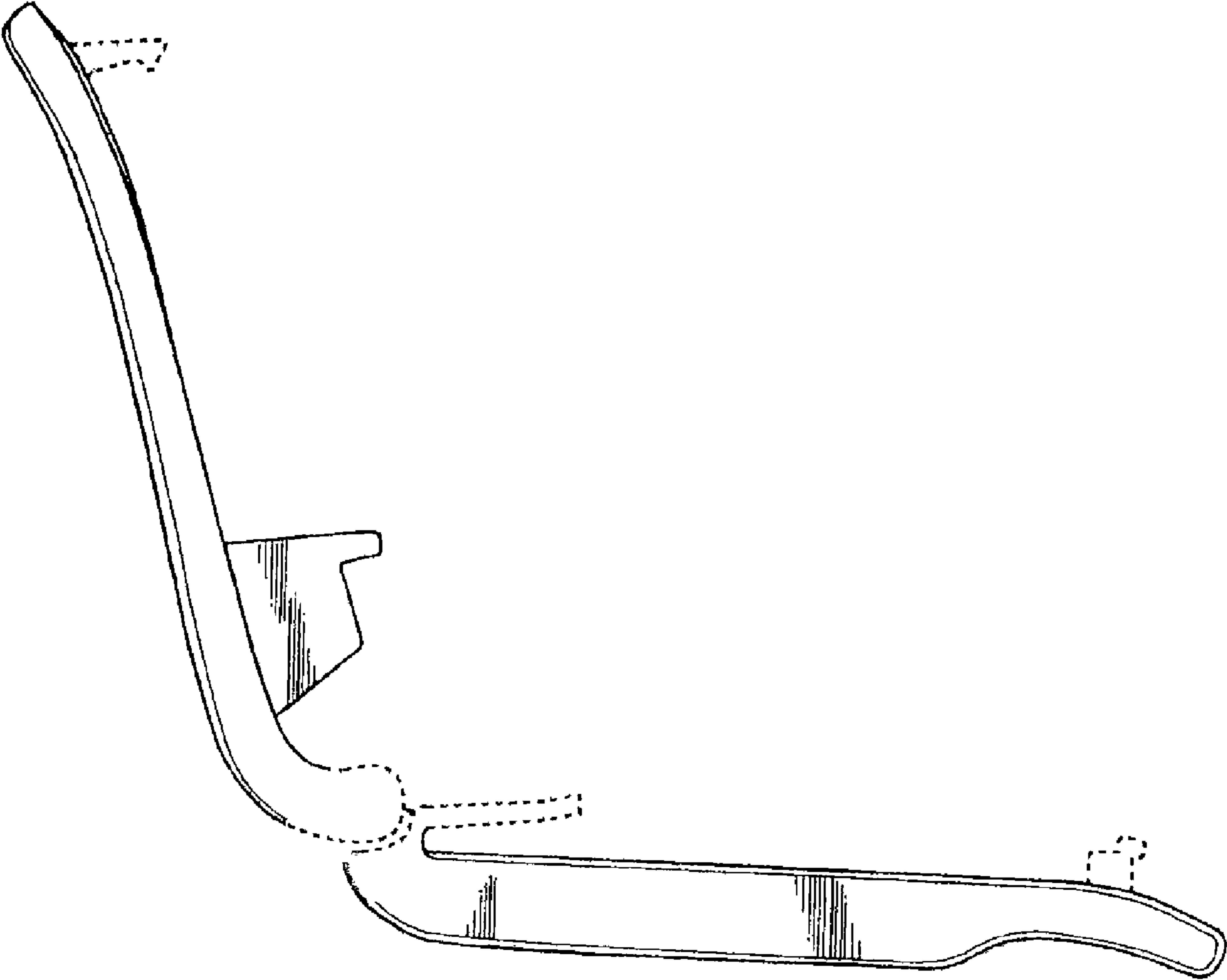
*Fig. 5*



*Fig. 6*



*Fig. 7*



*Fig. 8*