



US00D582236S

(12) **United States Design Patent**
Chen

(10) **Patent No.:** **US D582,236 S**
(45) **Date of Patent:** **** Dec. 9, 2008**

(54) **PNEUMATIC TOOL**

(75) Inventor: **Lung-Pao Chen**, Hsinchu County (TW)

(73) Assignee: **Sunmatch Industrial Co., Ltd.**,
Hsinchu County (TW)

(**) Term: **14 Years**

(21) Appl. No.: **29/297,261**

(22) Filed: **Nov. 7, 2007**

(51) **LOC (8) Cl.** **08-05**

(52) **U.S. Cl.** **D8/68**

(58) **Field of Classification Search** D8/14.1,
D8/61, 62, 63, 64, 65, 66, 67, 68, 69, 70;
81/57.11, 429, 454, 455, 456, 469, 489; 173/13,
173/104, 114, 168, 169, 170, 171, 178, 201,
173/211, 213, 217; 408/20, 124, 125, 234,
408/241 R; 451/358; 310/50; 227/8, 113,
227/114, 120, 130, 136, 142

See application file for complete search history.

(56) **References Cited**

U.S. PATENT DOCUMENTS

2,950,775	A *	8/1960	Zwayer	173/169
2,966,138	A *	12/1960	Quackenbush	173/169
3,298,284	A *	1/1967	Alexander	173/169
3,299,781	A *	1/1967	Law	173/169
3,423,001	A *	1/1969	Bell	227/8
4,258,798	A *	3/1981	Campbell et al.	173/168
D259,392	S *	6/1981	Elmessaar et al.	D8/68
4,476,942	A *	10/1984	Elkin	173/169
D325,858	S *	5/1992	Saito et al.	D8/61
5,731,673	A *	3/1998	Gilmore	173/178
D444,365	S *	7/2001	Bass et al.	D8/68
D446,434	S *	8/2001	Ashbaugh et al.	D8/68

D458,103	S *	6/2002	Chen	D8/68
D459,182	S *	6/2002	Morgan	D8/68
D459,643	S *	7/2002	Morgan	D8/68
D459,644	S *	7/2002	Morgan	D8/68
6,547,014	B2 *	4/2003	McCallops et al.	173/168
D486,370	S *	2/2004	Chen	D8/68
D488,040	S *	4/2004	Chen	D8/68
D488,041	S *	4/2004	Chen	D8/68
D488,694	S *	4/2004	Chen	D8/68
6,836,614	B2 *	12/2004	Gilmore	81/469
6,913,087	B1 *	7/2005	Brotto et al.	173/217
D514,413	S *	2/2006	Cuenca et al.	D8/68
D515,895	S *	2/2006	Chen	D8/68
2002/0108765	A1 *	8/2002	McCallops et al.	173/169
2007/0046110	A1 *	3/2007	Liu	310/50

* cited by examiner

Primary Examiner—T. Chase Nelson

(74) *Attorney, Agent, or Firm*—Muncy, Geissler, Olds & Lowe, PLLC

(57) **CLAIM**

The ornamental design for a pneumatic tool, as shown and described.

DESCRIPTION

FIG. 1 is a perspective view of a pneumatic tool showing my new design thereof;

FIG. 2 is a right side elevational view thereof;

FIG. 3 is a top plan view thereof;

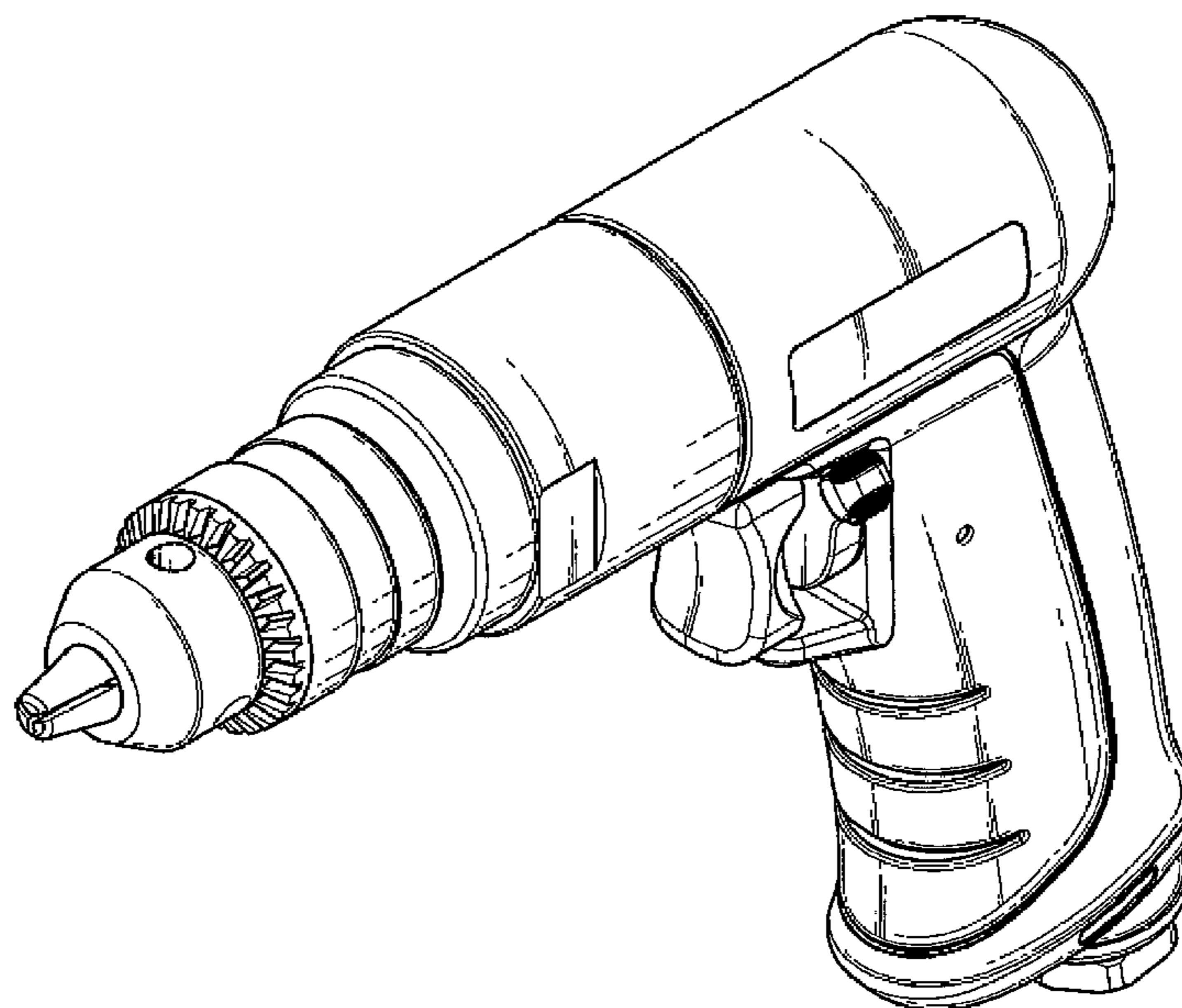
FIG. 4 is a front side elevational view thereof;

FIG. 5 is a bottom plan view thereof.;

FIG. 6 is a left side elevational view thereof; and,

FIG. 7 is a rear side elevational view thereof.

1 Claim, 4 Drawing Sheets



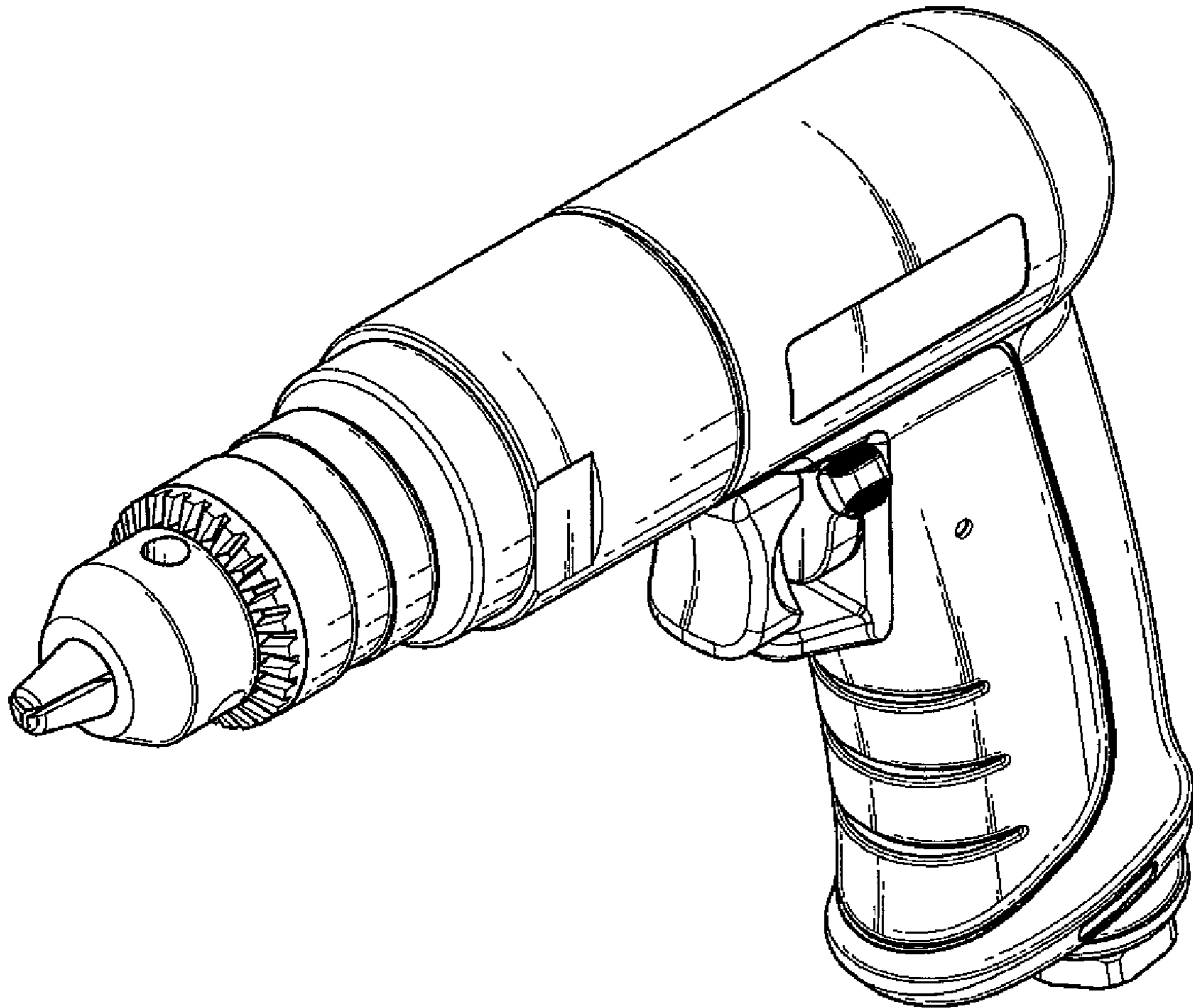


Fig. 1

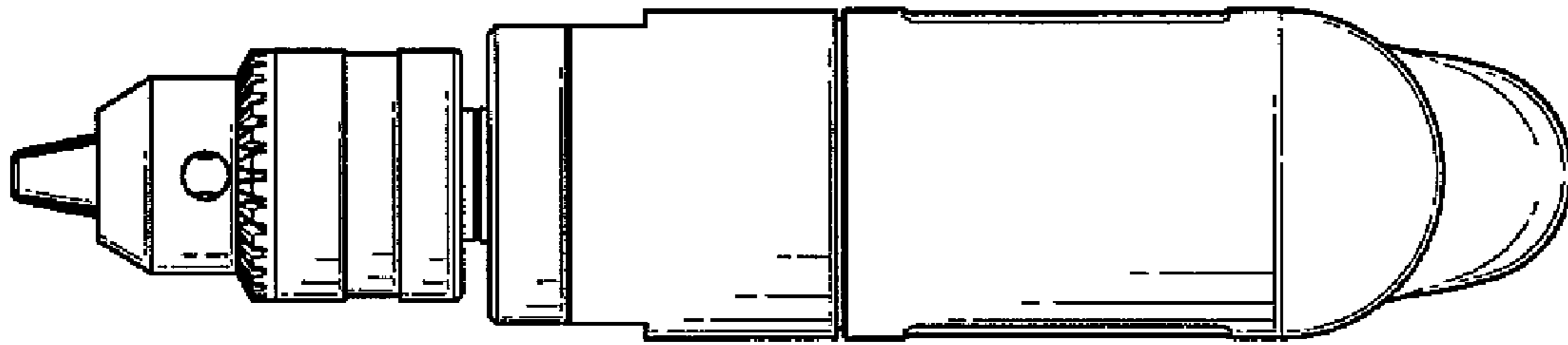


Fig. 3

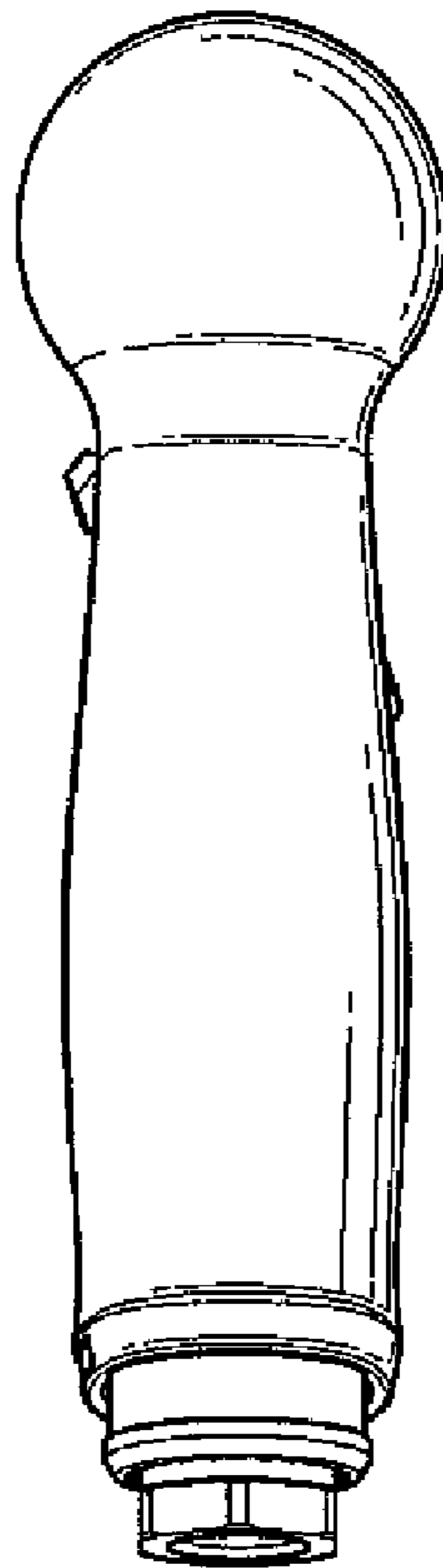


Fig. 2

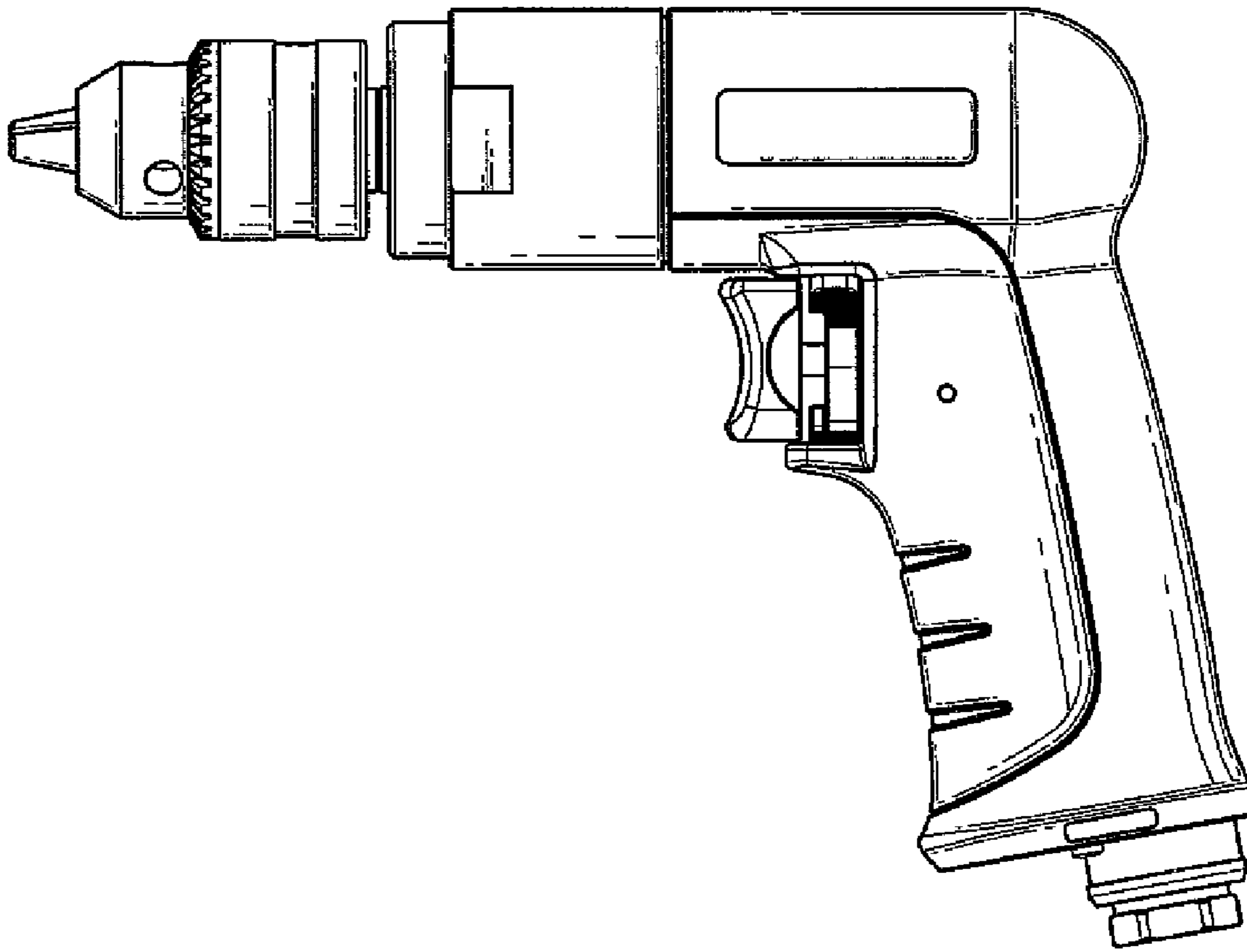


Fig. 4

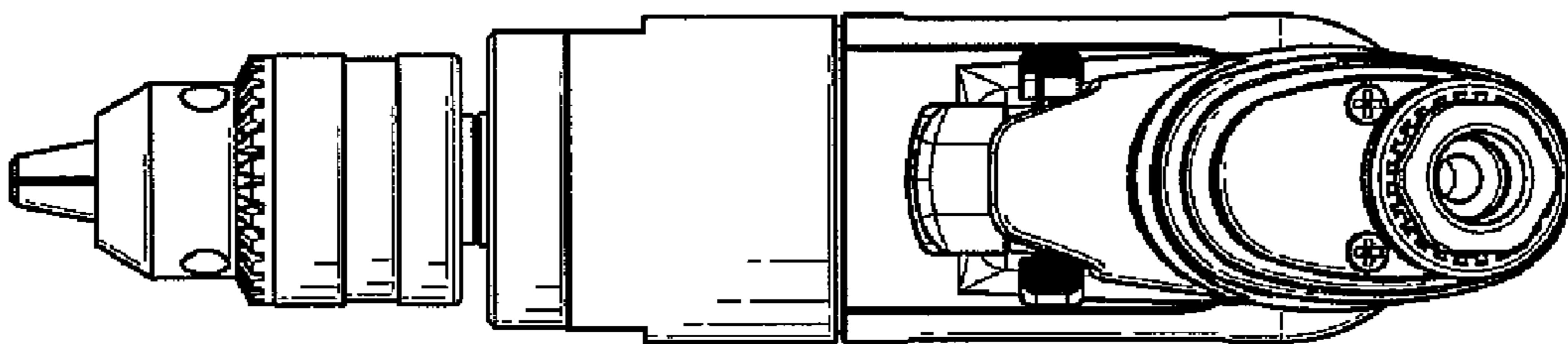


Fig. 5

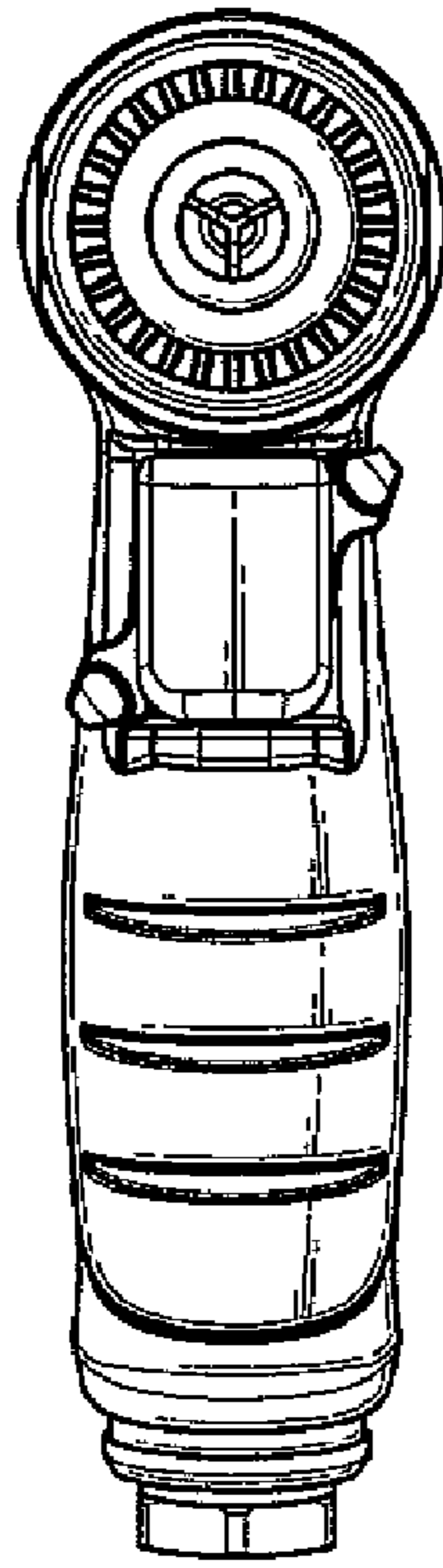


Fig. 6

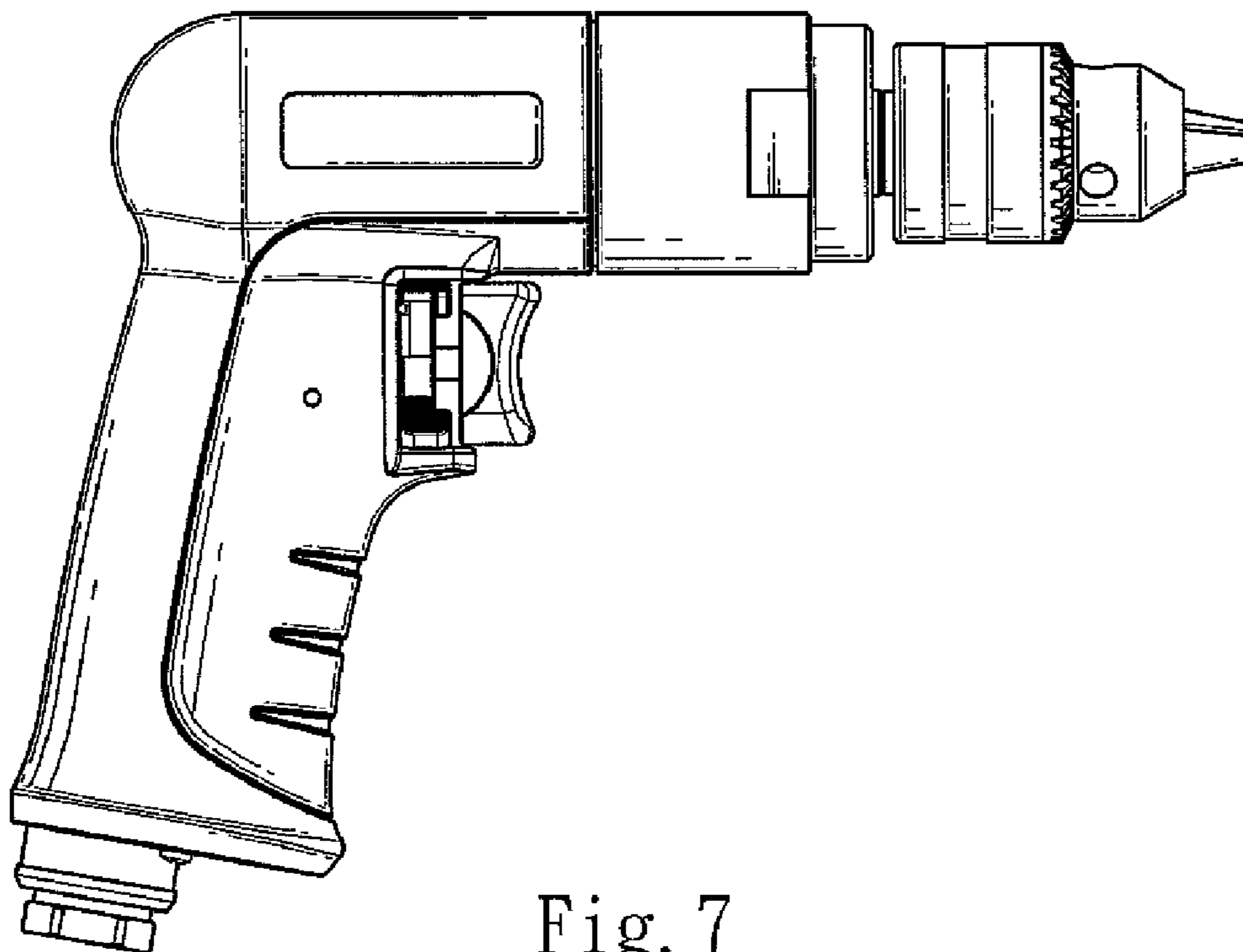


Fig. 7