



US00D582235S

(12) **United States Design Patent**
Murray

(10) **Patent No.:** **US D582,235 S**
(45) **Date of Patent:** **** Dec. 9, 2008**

(54) **DRILL**

(75) Inventor: **Thomas W. Murray**, Baltimore, MD
(US)

(73) Assignee: **Black & Decker Inc.**, Newark, DE (US)

(**) Term: **14 Years**

(21) Appl. No.: **29/284,115**

(22) Filed: **Aug. 31, 2007**

(51) **LOC (8) Cl.** **08-01**

(52) **U.S. Cl.** **D8/68**

(58) **Field of Classification Search** D8/14.1,
D8/61, 62, 63, 64, 65, 66, 67, 68, 69, 70;
81/57.11, 429, 454, 455, 456, 469, 489; 173/13,
173/104, 114, 168, 169, 170, 171, 178, 201,
173/211, 213, 217; 408/20, 124, 125, 234,
408/241 R; 451/358; 310/50; 227/8, 113,
227/114, 120, 130, 136, 142
See application file for complete search history.

(56) **References Cited**

U.S. PATENT DOCUMENTS

2,950,775	A *	8/1960	Zwayer	173/169
2,966,138	A *	12/1960	Quackenbush	173/169
3,298,284	A *	1/1967	Alexander	173/169
3,299,781	A *	1/1967	Law	173/169
D333,960	S *	3/1993	Somers	D8/68
D382,457	S *	8/1997	Ghode et al.	D8/68
5,731,673	A *	3/1998	Gilmore	173/178

D488,040	S *	4/2004	Chen	D8/68
D488,694	S *	4/2004	Chen	D8/68
6,836,614	B2 *	12/2004	Gilmore	81/469
6,913,087	B1 *	7/2005	Brotto et al.	173/217
D520,835	S *	5/2006	Aglassinger	D8/68
D527,236	S *	8/2006	Wu	D8/68
D532,667	S *	11/2006	Tsai et al.	D8/68
D534,406	S *	1/2007	Tsai et al.	D8/68
D534,779	S *	1/2007	Tsai et al.	D8/68
D536,943	S *	2/2007	Tsai et al.	D8/68
D565,375	S *	4/2008	Shi	D8/68
2007/0046110	A1 *	3/2007	Liu	310/50

* cited by examiner

Primary Examiner—T. Chase Nelson

(74) *Attorney, Agent, or Firm*—Wesley W. Muller

(57) **CLAIM**

The ornamental design for a drill, as shown and described.

DESCRIPTION

FIG. 1 is an elevated perspective view of a drill according to the present invention;

FIG. 2 is an elevated left side view of the drill of FIG. 1;

FIG. 3 is an elevated right side view of the drill of FIG. 1;

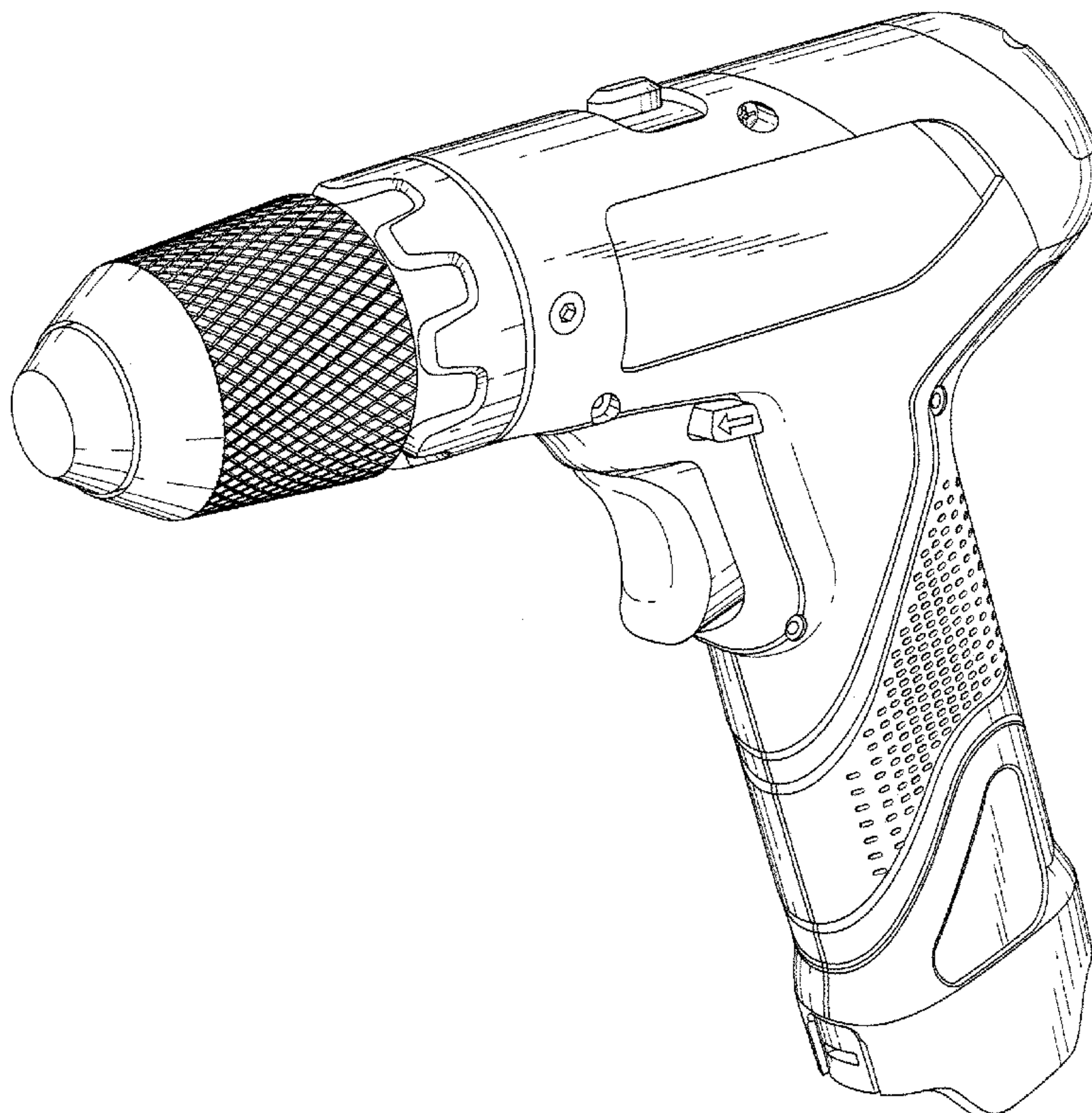
FIG. 4 is a top view of the drill of FIG. 1;

FIG. 5 is a bottom view of the drill of FIG. 1;

FIG. 6 is an elevated front view of the drill of FIG. 1; and,

FIG. 7 is an elevated rear view of the drill of FIG. 1.

1 Claim, 7 Drawing Sheets



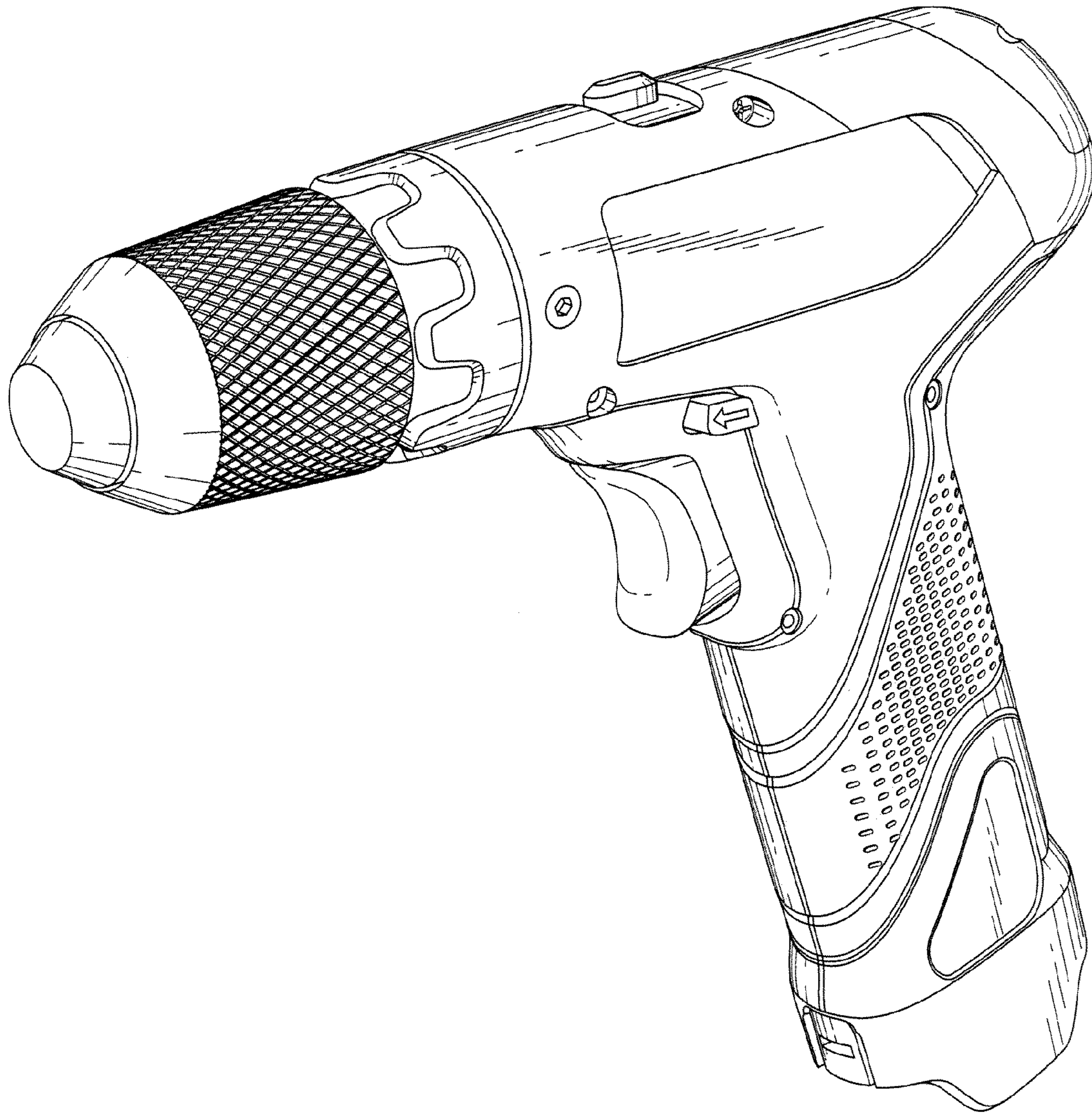


Fig. 1

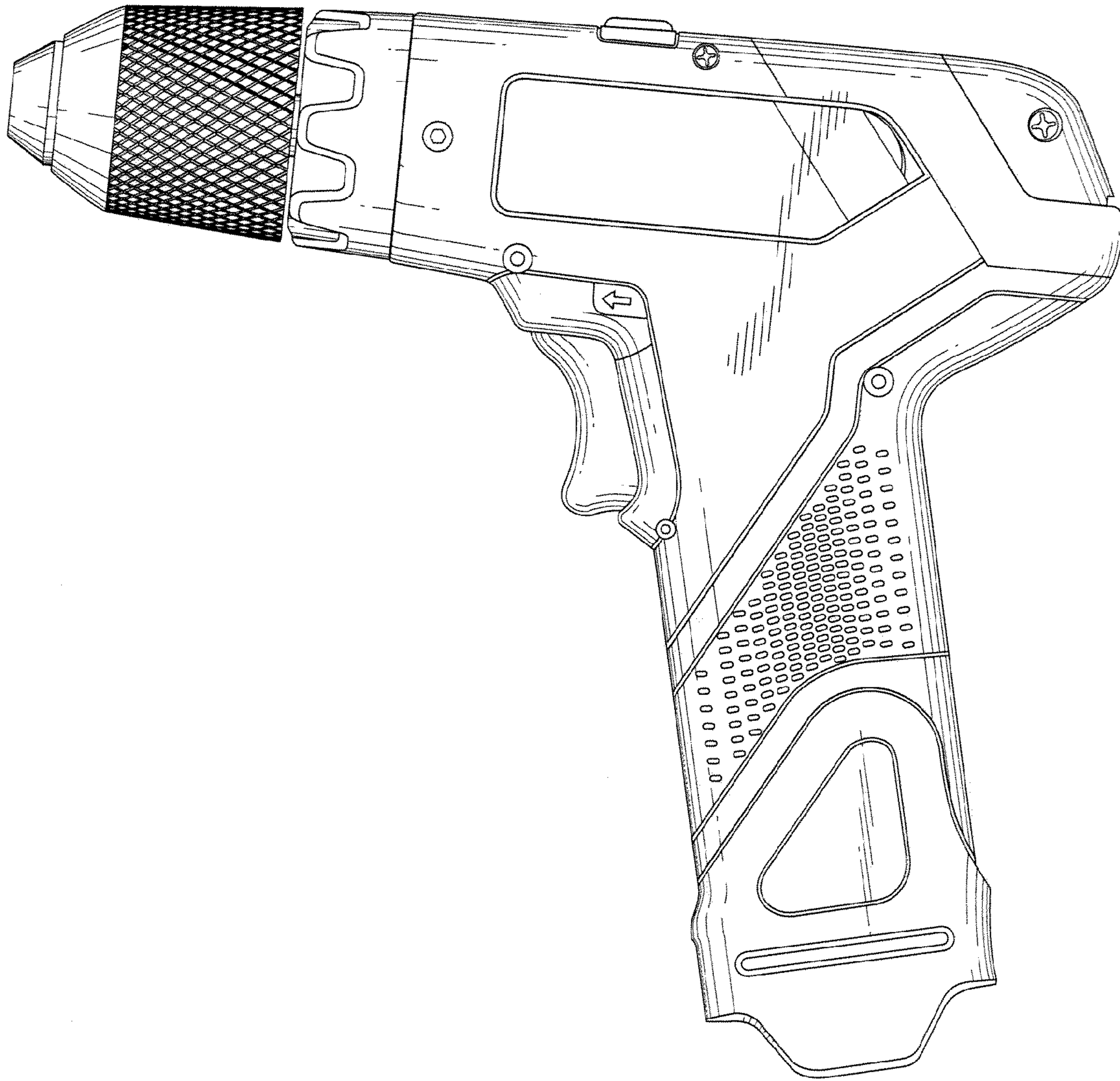


Fig. 2

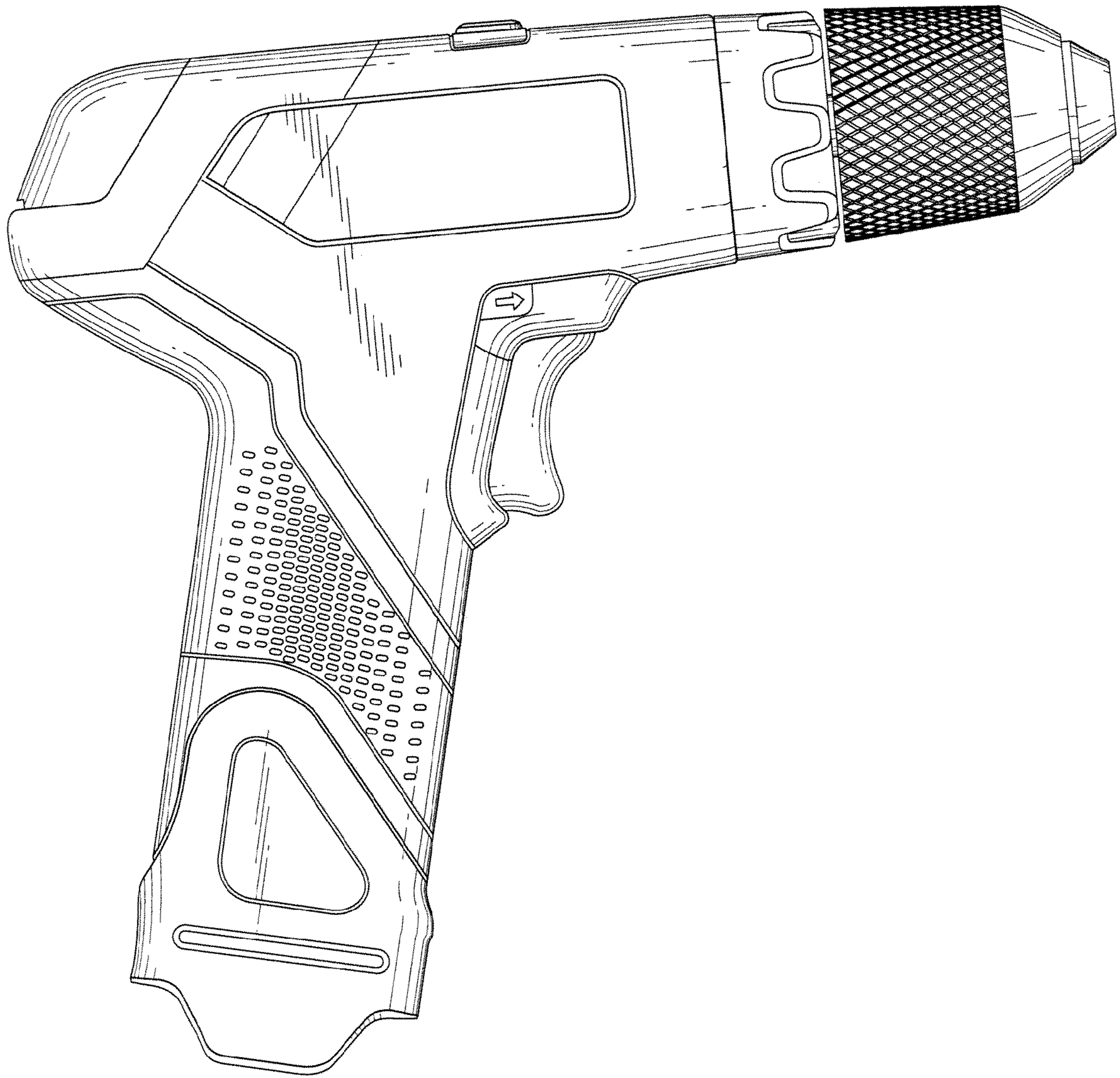


Fig. 3

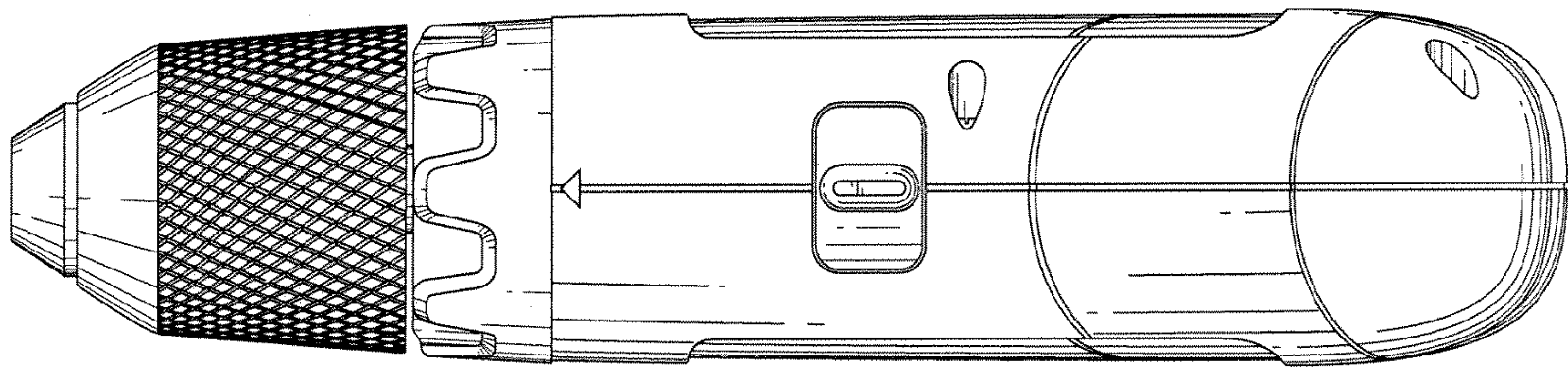


Fig. 4

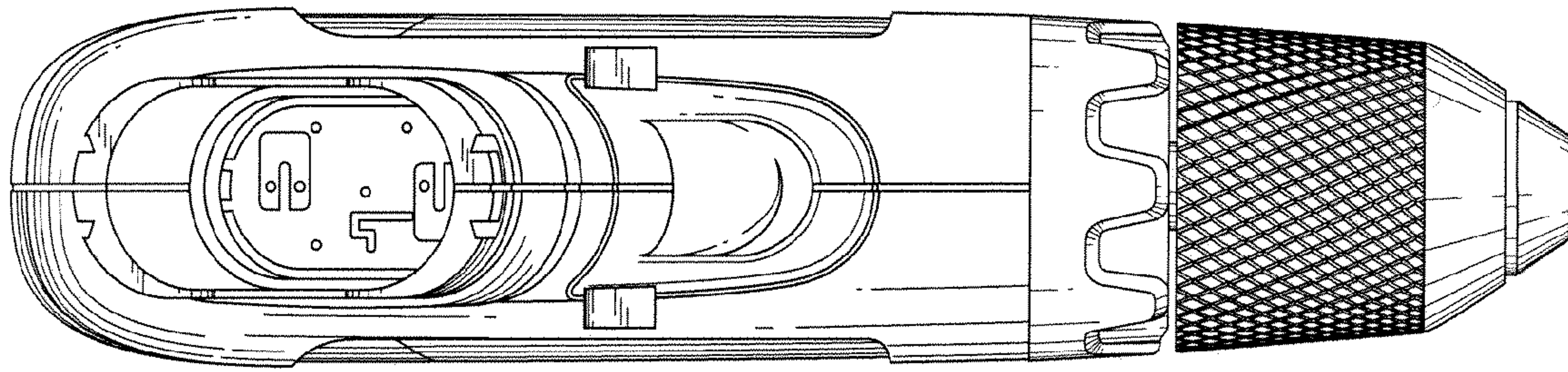


Fig. 5

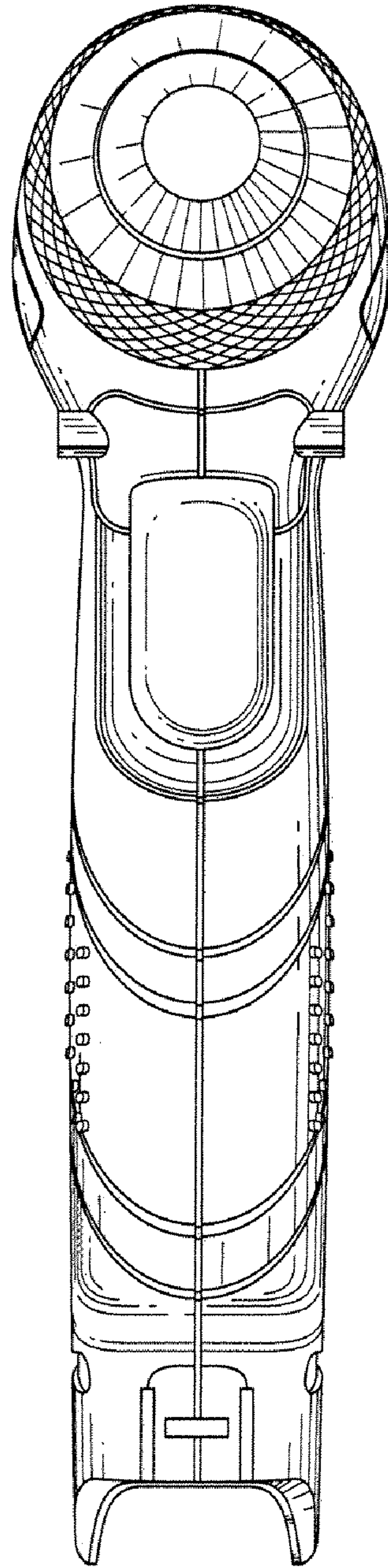


Fig. 6

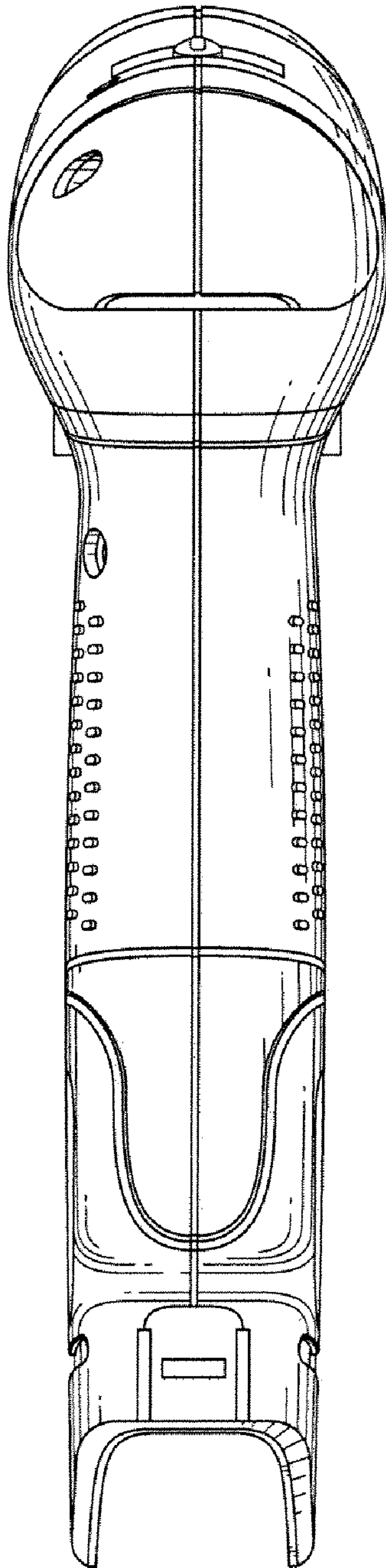


Fig. 7