



US00D582233S

(12) **United States Design Patent**
Bensussan et al.

(10) **Patent No.:** **US D582,233 S**
(45) **Date of Patent:** **** Dec. 9, 2008**

(54) **REACHING AND GRASPING TOOL**

(75) Inventors: **Bernard Bensussan**, Monroe, CT (US);
Ronald Callanan, Seymour, CT (US);
Dane Unger, Brookfield, CT (US)

(73) Assignee: **Unger Marketing International, LLC.**,
Bridgeport, CT (US)

(**) Term: **14 Years**

(21) Appl. No.: **29/284,445**

(22) Filed: **Sep. 7, 2007**

(51) **LOC (8) Cl.** **08-05**

(52) **U.S. Cl.** **D8/51**

(58) **Field of Classification Search** D8/1,
D8/4, 14, 51, 52; D34/28; 294/19.1, 3, 11,
294/28, 50.9, 104, 50; 280/289; 81/53.11,
81/418, 427.5, 324, 381

See application file for complete search history.

(56) **References Cited**

U.S. PATENT DOCUMENTS

944,214	A *	12/1909	Rydquist	294/22
3,576,343	A *	4/1971	Juhlin et al.	294/19.1
3,669,487	A *	6/1972	Roberts et al.	294/104
D235,130	S *	5/1975	Helm	D8/51
4,037,868	A *	7/1977	Baker	294/19.1
4,225,174	A *	9/1980	Hennessy et al.	294/1.4
D333,415	S *	2/1993	Furutsu	D8/51
5,941,586	A *	8/1999	Fann	294/19.1
6,454,330	B1 *	9/2002	Chen	294/19.1
6,848,731	B2 *	2/2005	Khubani et al.	294/19.1
D522,330	S *	6/2006	Arnold et al.	D8/51
2003/0222467	A1 *	12/2003	Khubani et al.	294/19.1
2004/0135387	A1 *	7/2004	Keith et al.	294/19.1

* cited by examiner

Primary Examiner—Cathron Brooks

Assistant Examiner—Deanna Fluegeman

(74) *Attorney, Agent, or Firm*—Ohlandt, Greeley, Ruggiero
& Perle, L.L.P.

(57) **CLAIM**

The ornamental design for the reaching and grasping tool, as shown and described.

DESCRIPTION

FIG. 1 is a rear top perspective view of a reaching and grasping tool according to an exemplary embodiment of the present disclosure;

FIG. 2 is a front bottom perspective view of the reaching and grasping tool of FIG. 1;

FIG. 3 is a first side view of the reaching and grasping tool of FIG. 1;

FIG. 4 is a second side view of the reaching and grasping tool of FIG. 1;

FIG. 5 is a bottom view of the reaching and grasping tool of FIG. 1 in an open position;

FIG. 6 is a top view of the reaching and grasping tool of FIG. 1 in an open position;

FIG. 7 is a rear top perspective view of the reaching and grasping tool of FIG. 1 in a closed position;

FIG. 8 is a front end view of the reaching and grasping tool of FIG. 1;

FIG. 9 is a rear top perspective view of a reaching and grasping tool according to an alternate exemplary embodiment of the present disclosure;

FIG. 10 is a front bottom perspective view of the reaching and grasping tool of FIG. 9;

FIG. 11 is a first side view of the reaching and grasping tool of FIG. 9;

FIG. 12 is a second side view of the reaching and grasping tool of FIG. 9;

FIG. 13 is a bottom view of the reaching and grasping tool of FIG. 9 in an open position;

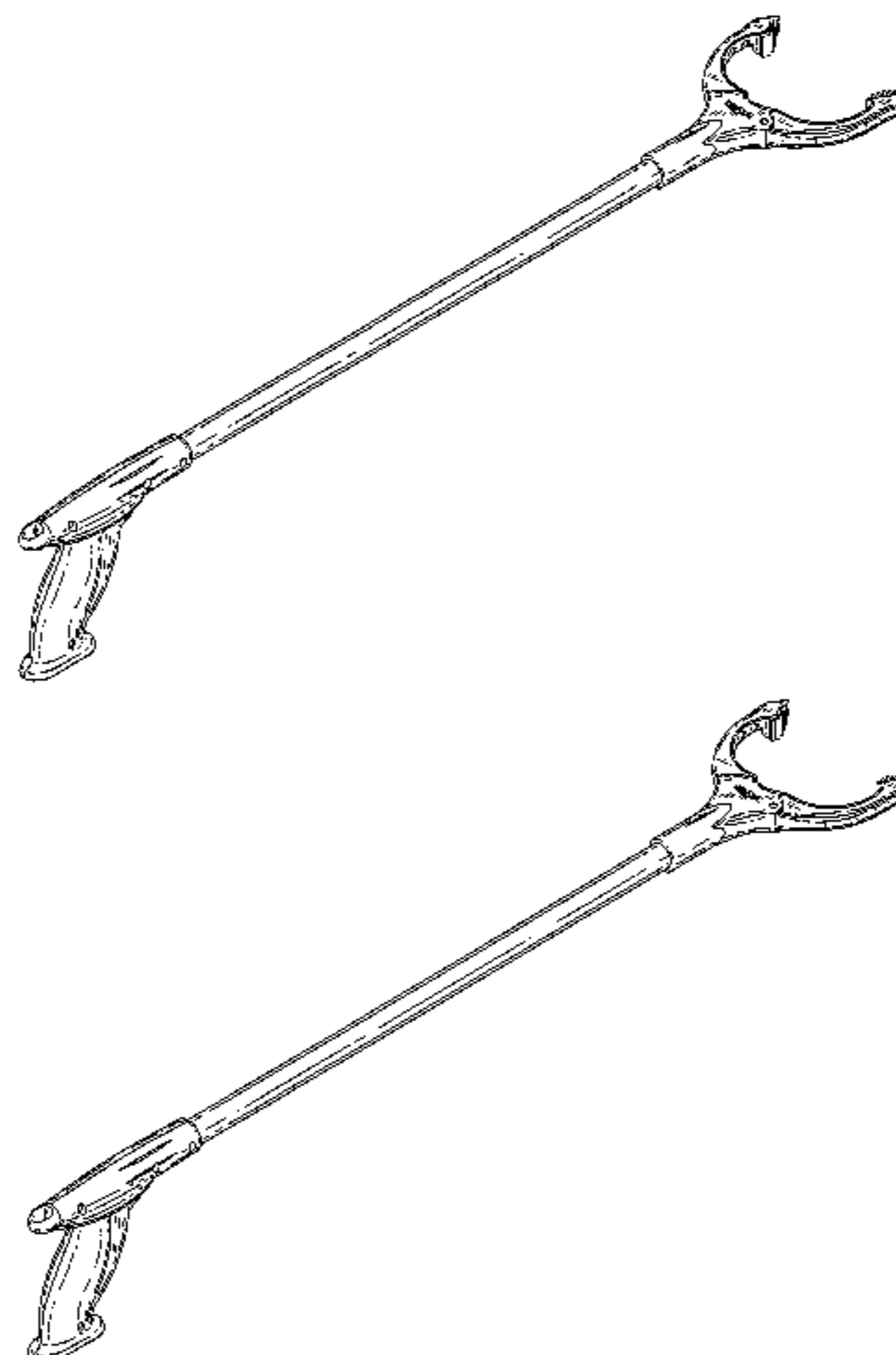
FIG. 14 is a top view of the reaching and grasping tool of FIG. 9 in an open position;

FIG. 15 is a top view of the reaching and grasping tool of FIG. 9 in a closed position; and,

FIG. 16 is a front end view of the reaching and grasping tool of FIG. 9.

The broken line showing of portions of the reaching and grasping tool form no part of the claimed design.

1 Claim, 10 Drawing Sheets



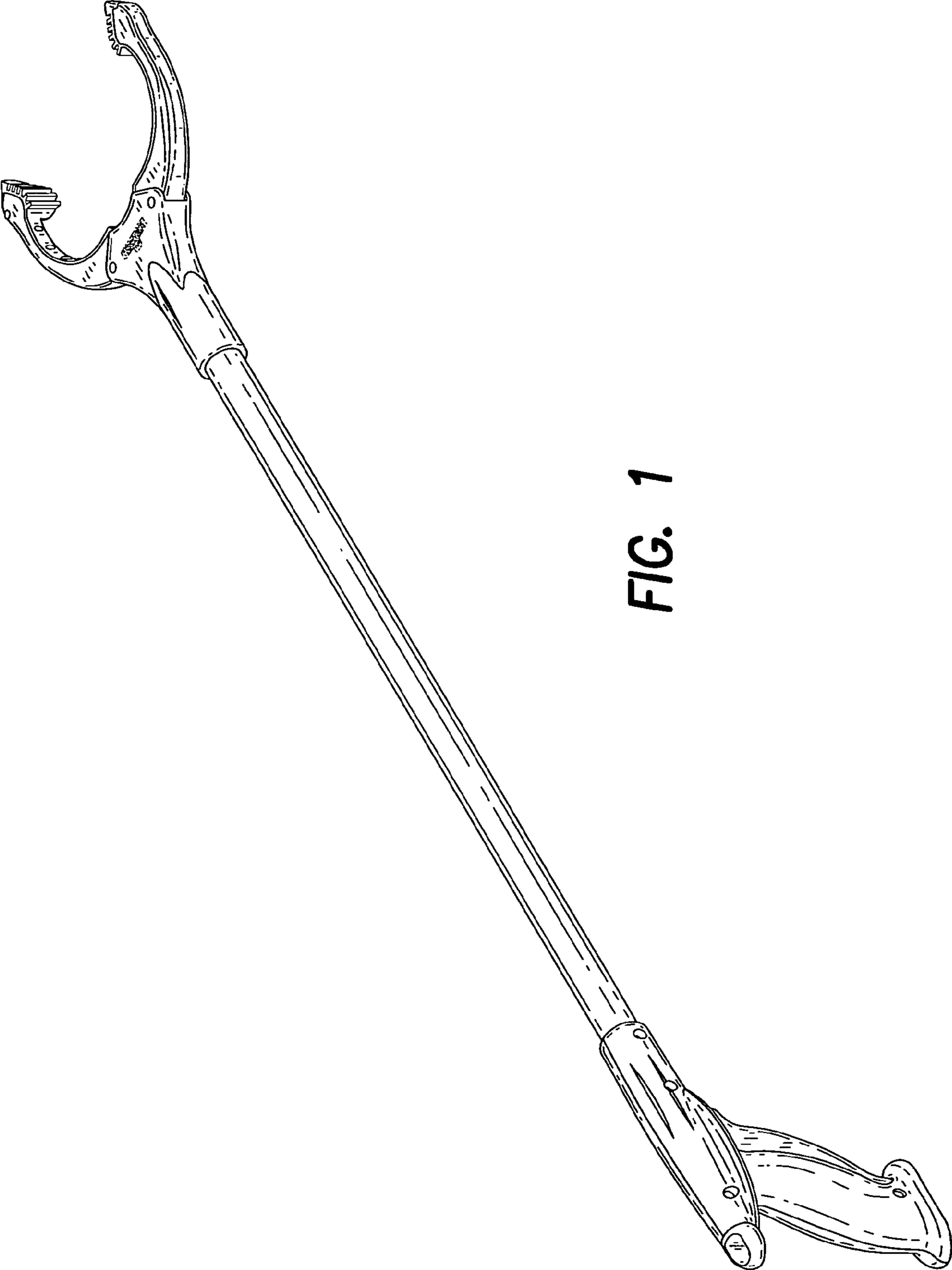


FIG. 1

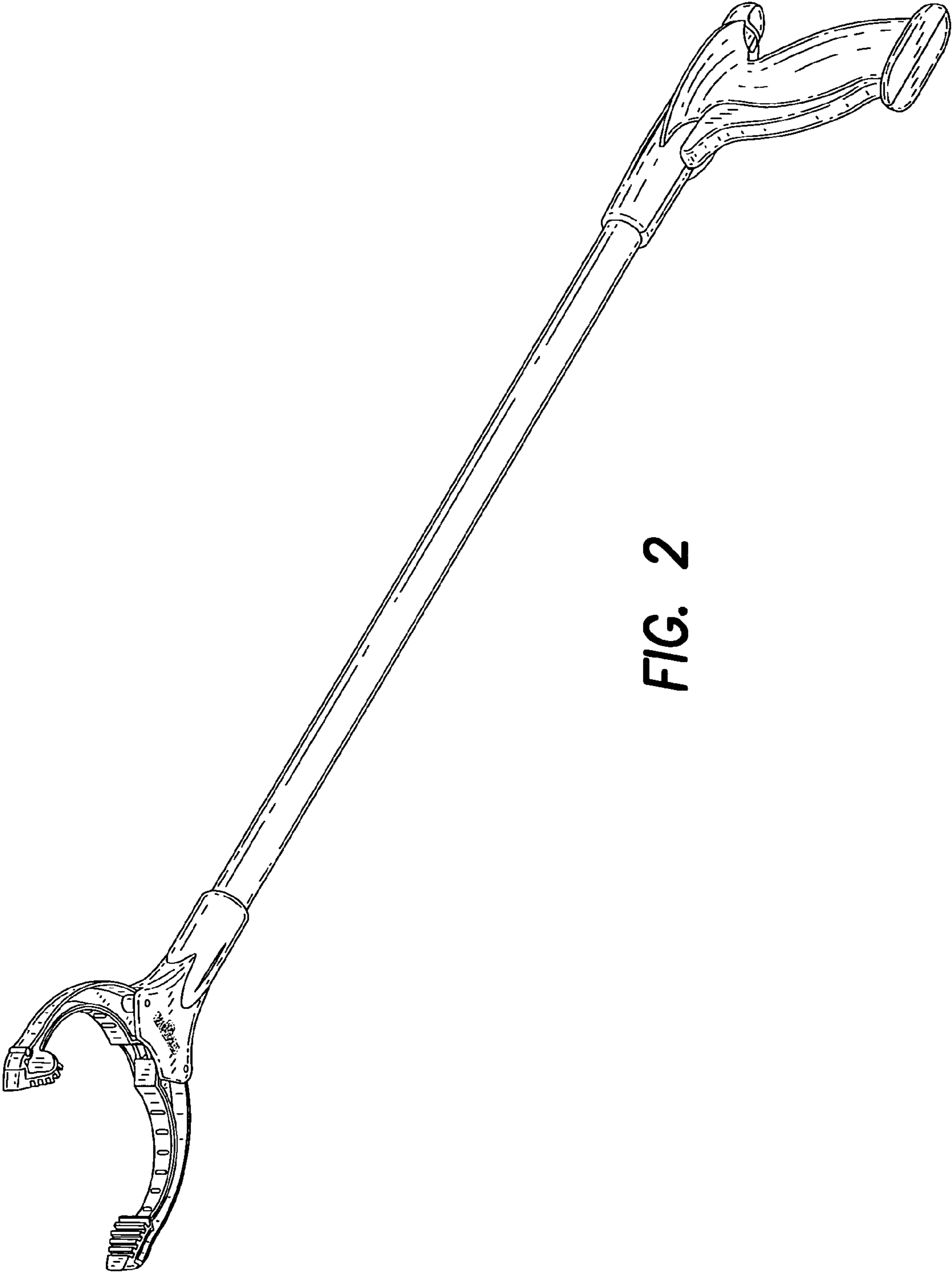


FIG. 2



FIG. 3

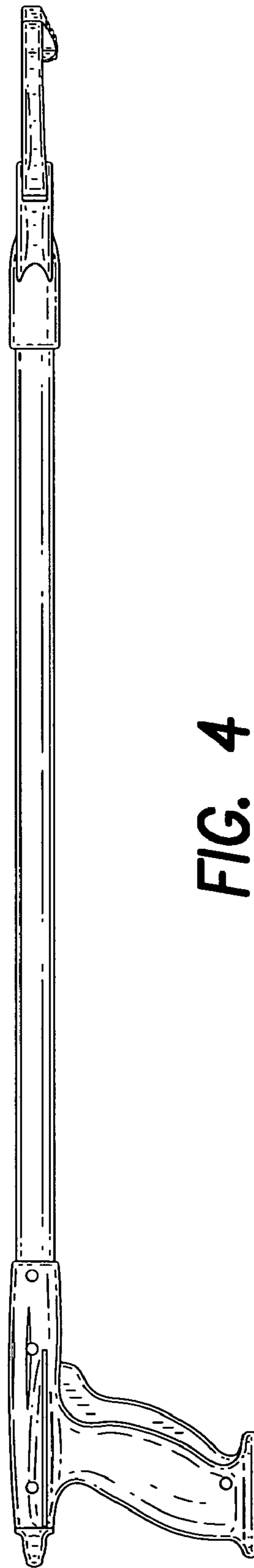


FIG. 4

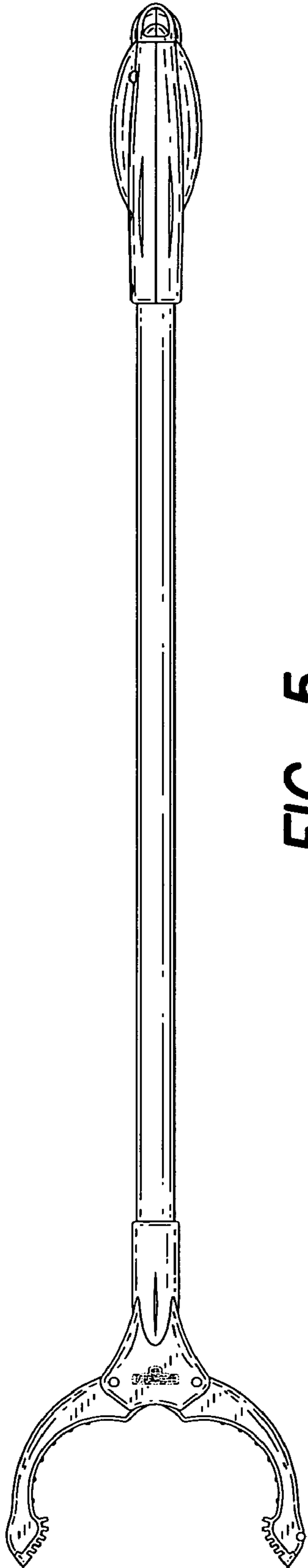


FIG. 5

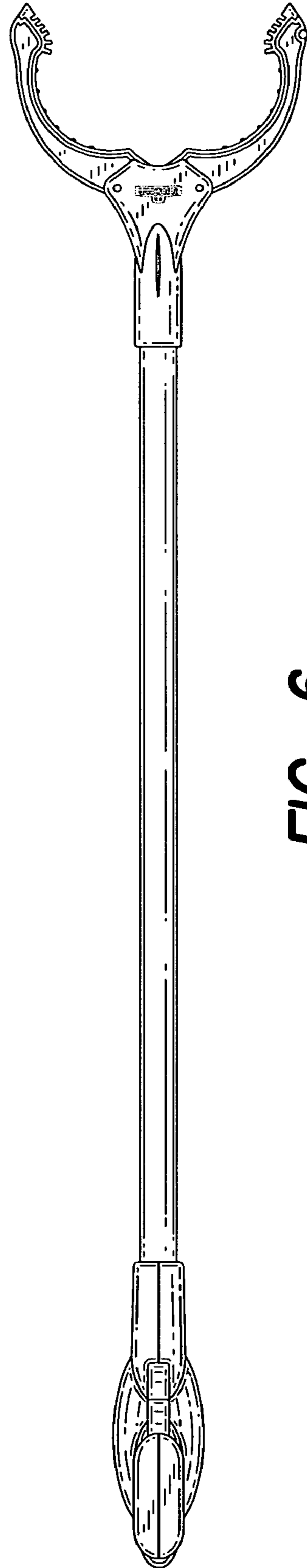


FIG. 6

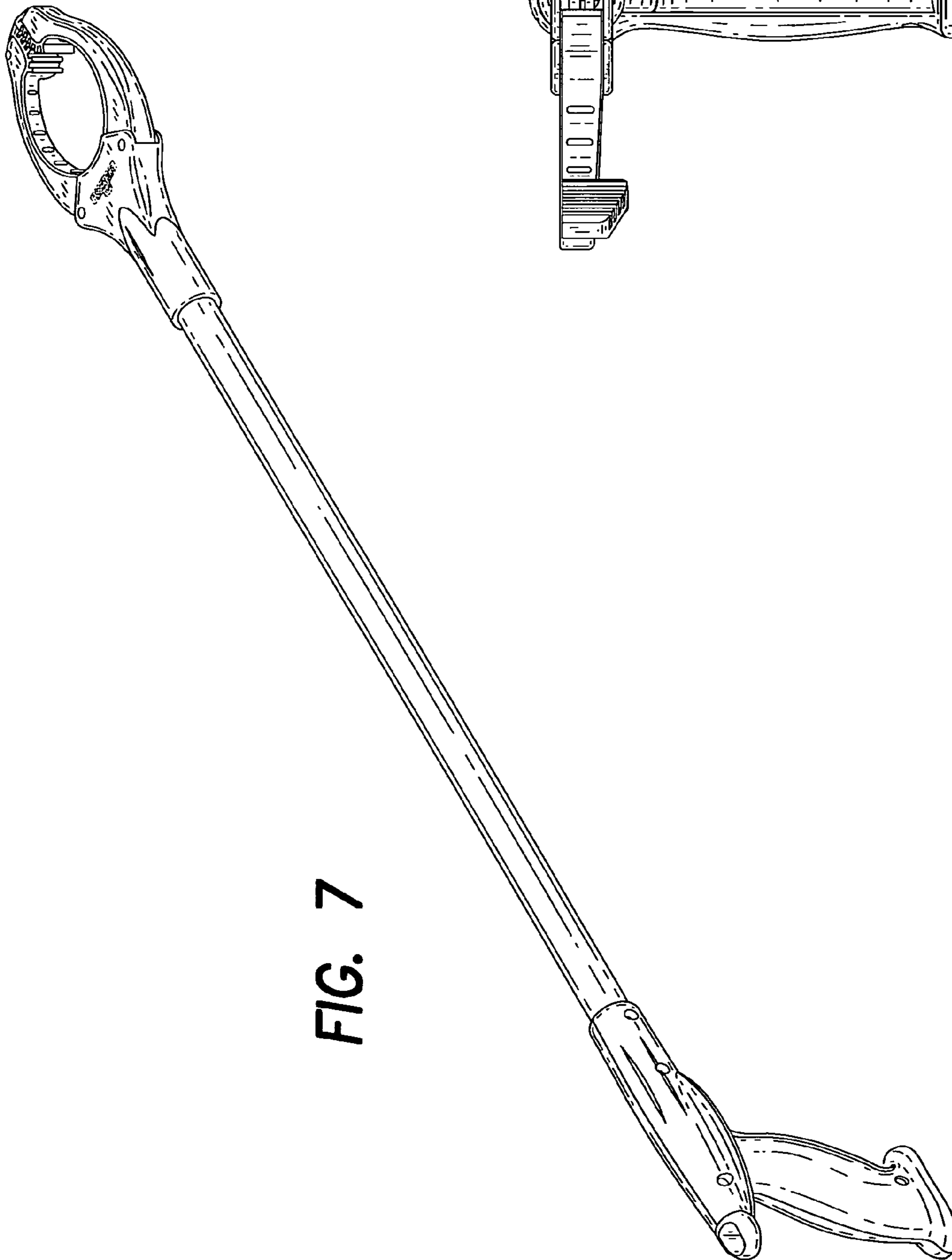


FIG. 7

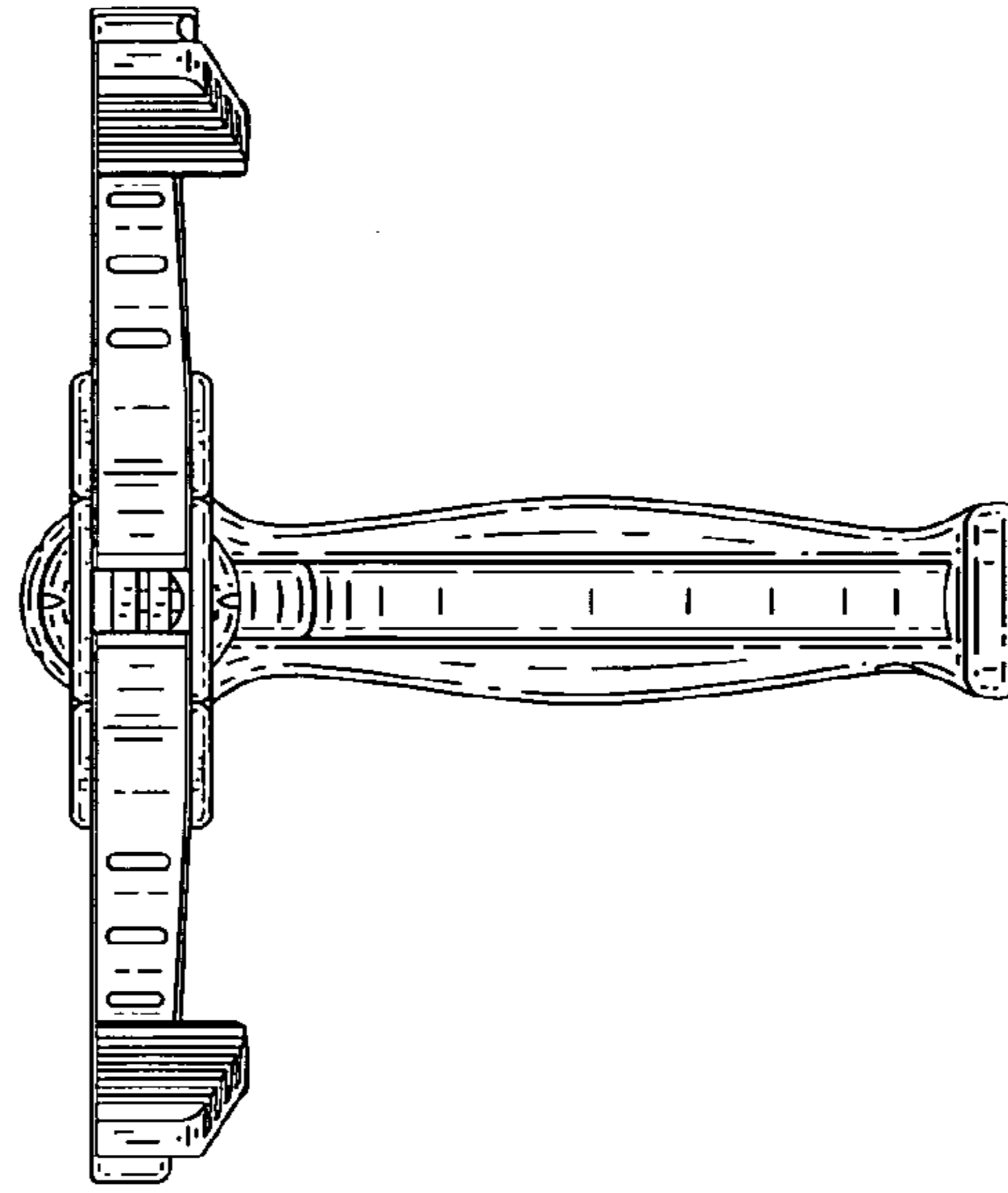


FIG. 8

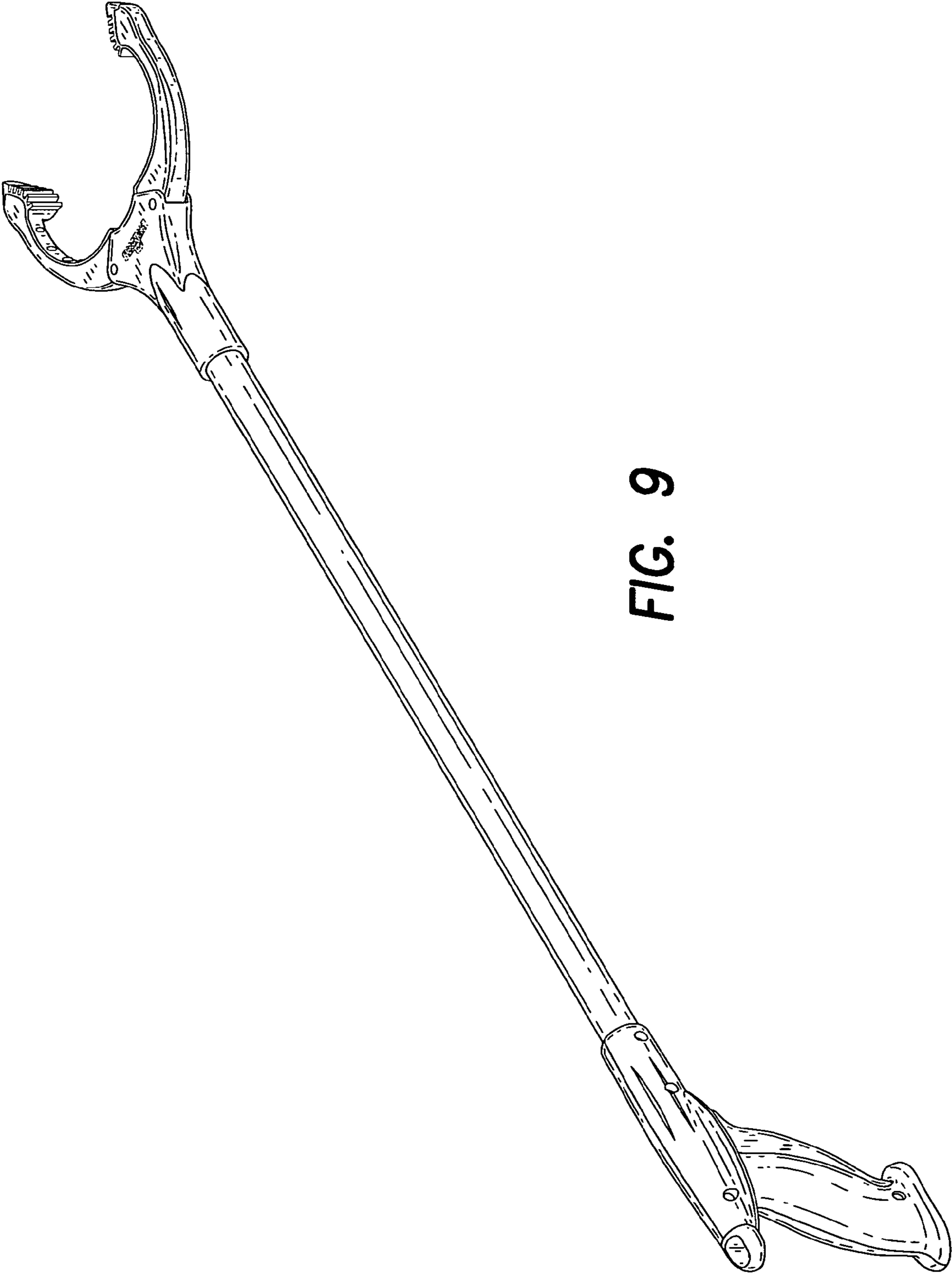


FIG. 9

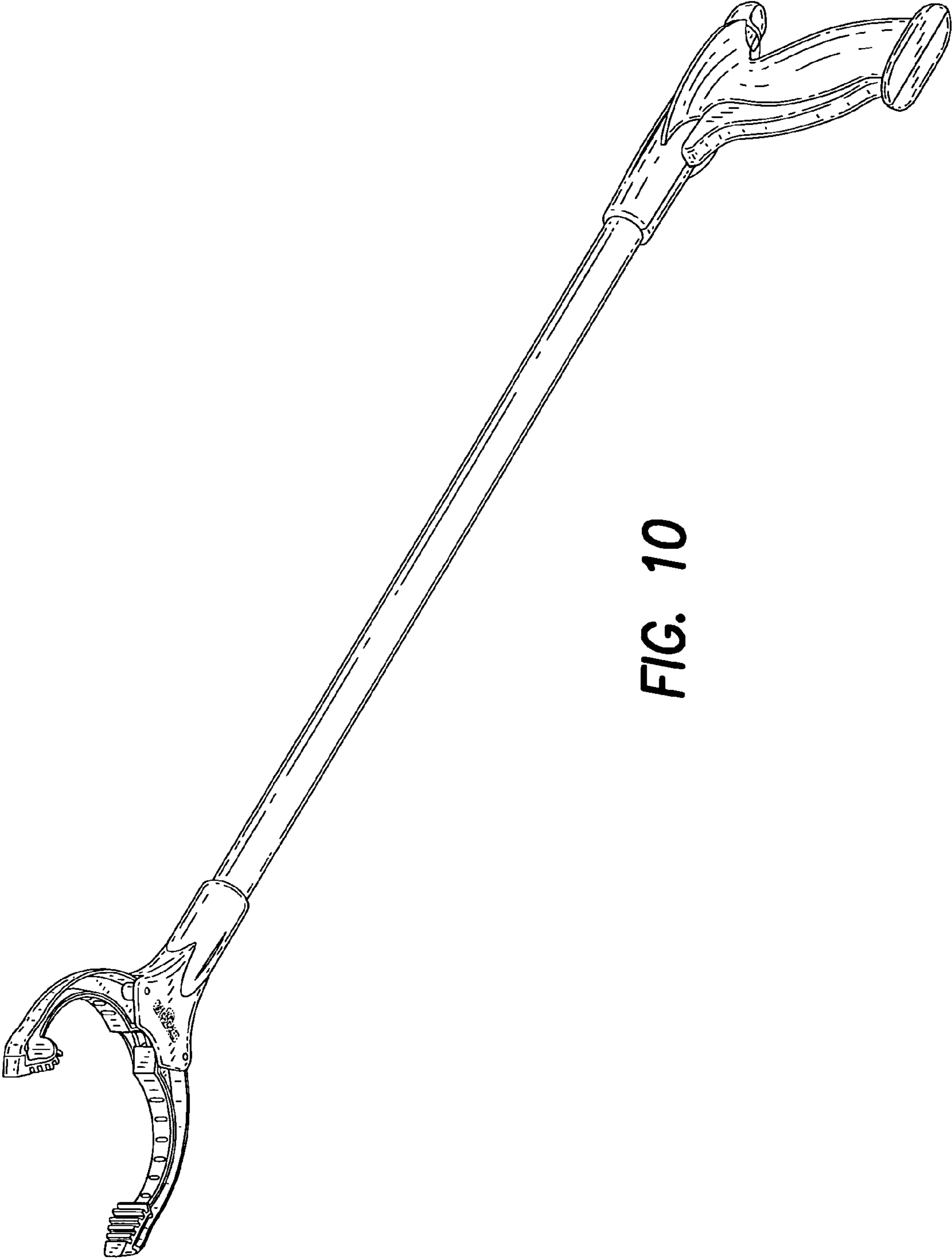


FIG. 10

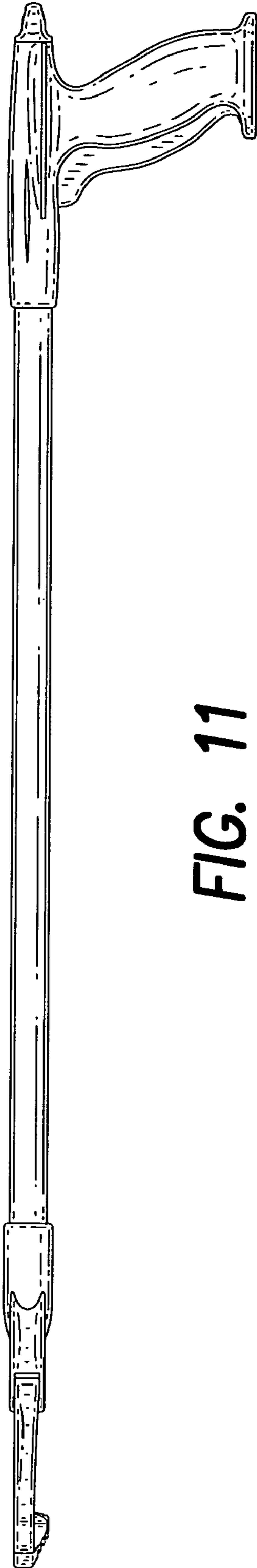


FIG. 11



FIG. 12

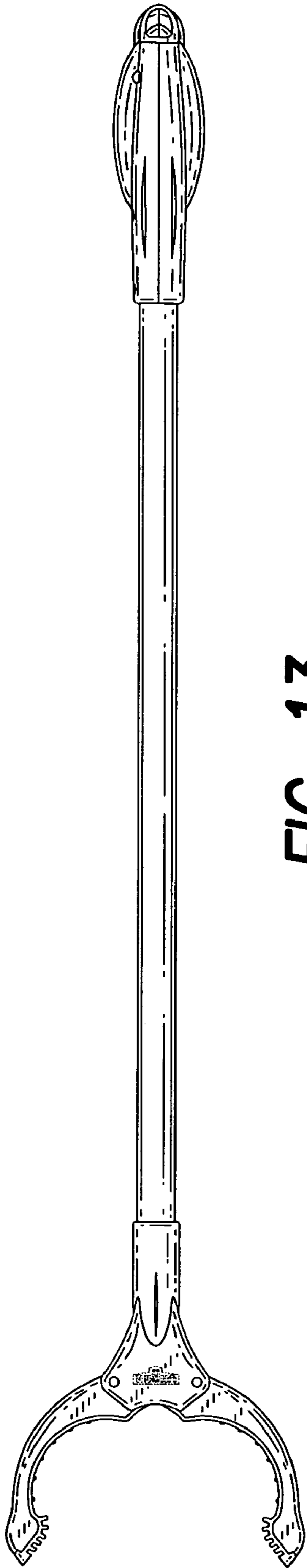


FIG. 13

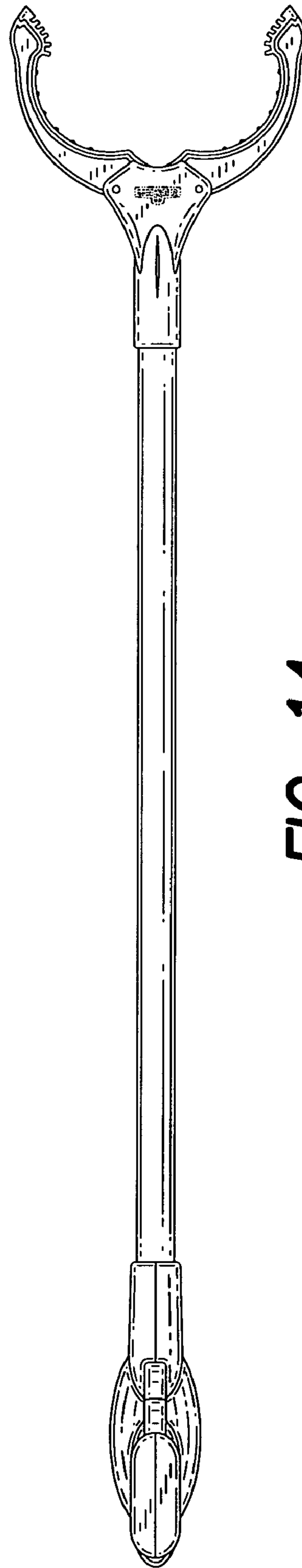


FIG. 14

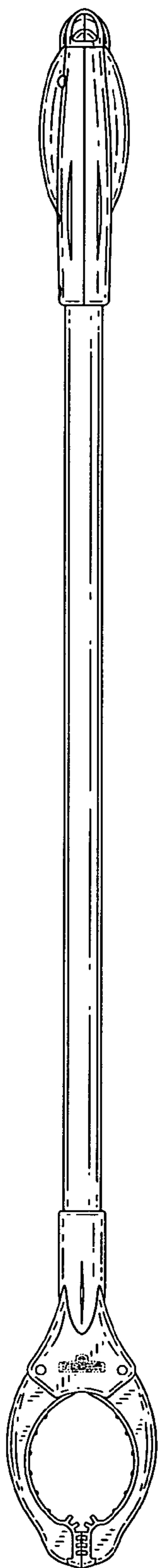


FIG. 15

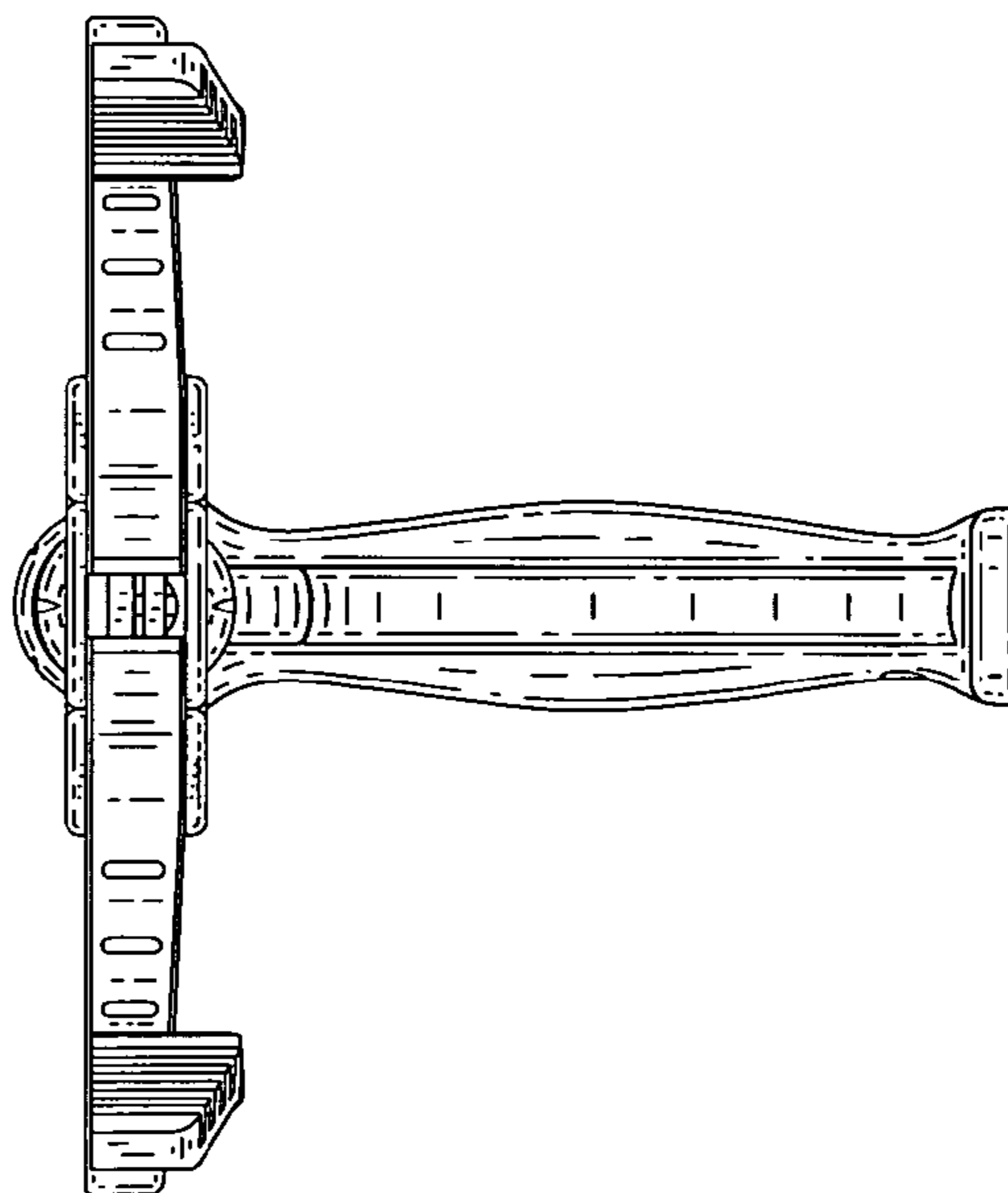


FIG. 16