



US00D582232S

(12) **United States Design Patent**
Nakamura et al.

(10) **Patent No.:** **US D582,232 S**
(45) **Date of Patent:** **** Dec. 9, 2008**

- (54) **STAPLER**
- (75) Inventors: **Katsuya Nakamura**, Tokyo (JP);
Toshihide Miwa, Tokyo (JP); **Takeo Hattori**, Tokyo (JP); **Tomohiro Irago**, Tokyo (JP)
- (73) Assignee: **Max Co., Ltd.**, Tokyo (JP)
- (**) Term: **14 Years**
- (21) Appl. No.: **29/300,068**
- (22) Filed: **Feb. 19, 2008**

- D436,010 S 1/2001 Nakamura
- D446,430 S 8/2001 Arns
- D465,139 S * 11/2002 Robillard D8/50
- D466,774 S 12/2002 Lee
- D478,485 S 8/2003 Huang
- D478,798 S * 8/2003 Huang D8/50
- D479,678 S 9/2003 Huang
- D502,369 S 3/2005 Nakamura
- D512,615 S 12/2005 Kramer et al.
- D514,904 S * 2/2006 Sauter et al. D8/50
- D517,883 S 3/2006 Tsai
- D530,999 S 10/2006 Kent et al.
- D531,471 S 11/2006 Kent et al.
- D554,456 S 11/2007 Chang
- D572,101 S * 7/2008 Smith D8/50
- D573,856 S * 7/2008 Nakamura et al. D8/50

Related U.S. Application Data

- (62) Division of application No. 29/287,115, filed on Jun. 28, 2007, now Pat. No. Des. 573,856.

(30) **Foreign Application Priority Data**

- Feb. 15, 2007 (JP) 2007-003560
- Feb. 15, 2007 (JP) 2007-003561

- (51) **LOC (8) Cl.** **19-02**
- (52) **U.S. Cl.** **D8/50**
- (58) **Field of Classification Search** D8/49,
D8/50, 61, 68, 69; D19/72, 73, 65, 69; D21/532;
D24/145; 7/158, 160; 227/4, 5, 6, 7, 8, 120,
227/127, 128, 131, 132, 134, 144, 156, 175.1;
606/139, 143, 153, 219
See application file for complete search history.

(56) **References Cited**

U.S. PATENT DOCUMENTS

- D350,678 S * 9/1994 Khan et al. D8/50
- D369,729 S 5/1996 Herbst et al.
- D371,495 S 7/1996 Herbst et al.
- D387,646 S * 12/1997 Arns D8/50
- D394,591 S * 5/1998 Jacquet D8/50
- D416,774 S 11/1999 Huang
- D420,266 S 2/2000 Berry et al.

* cited by examiner

Primary Examiner—Cathron C Brooks

Assistant Examiner—Austin Murphy

(74) *Attorney, Agent, or Firm*—Jean C. Edwards, Esq.; Akerman Senterfitt

(57) **CLAIM**

The ornamental design for a stapler, as shown and described.

DESCRIPTION

FIG. 1 is a perspective view of the front, left and top of a stapler showing our new design;

FIG. 2 is a perspective view of the rear, left and top thereof;

FIG. 3 is a front view thereof;

FIG. 4 is a rear view thereof;

FIG. 5 is a left side view thereof;

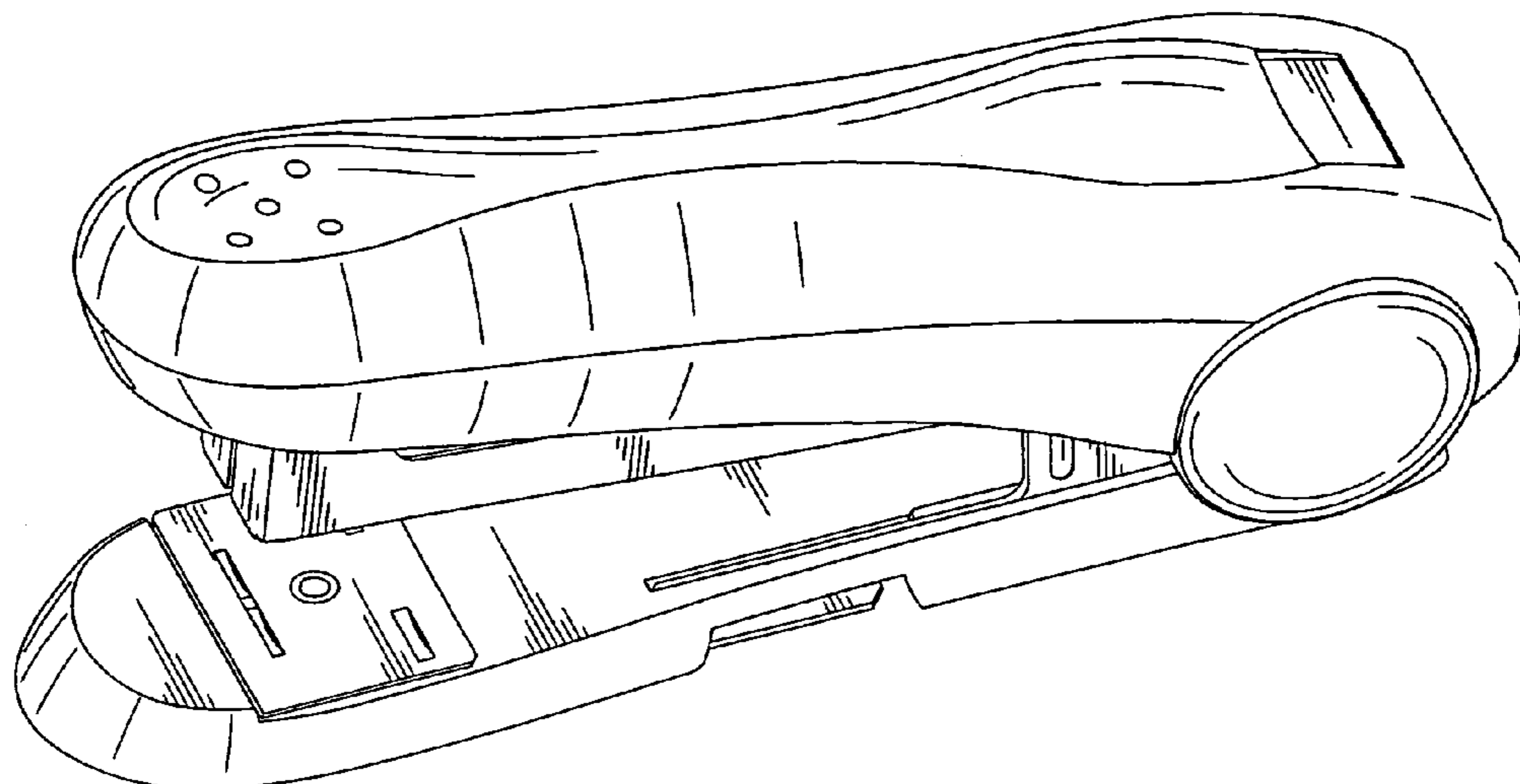
FIG. 6 is a right side view thereof;

FIG. 7 is a top plan view thereof; and,

FIG. 8 is a bottom view thereof.

The elements shown in broken lines are for illustrative purposes only and form no part of the claimed design.

1 Claim, 4 Drawing Sheets



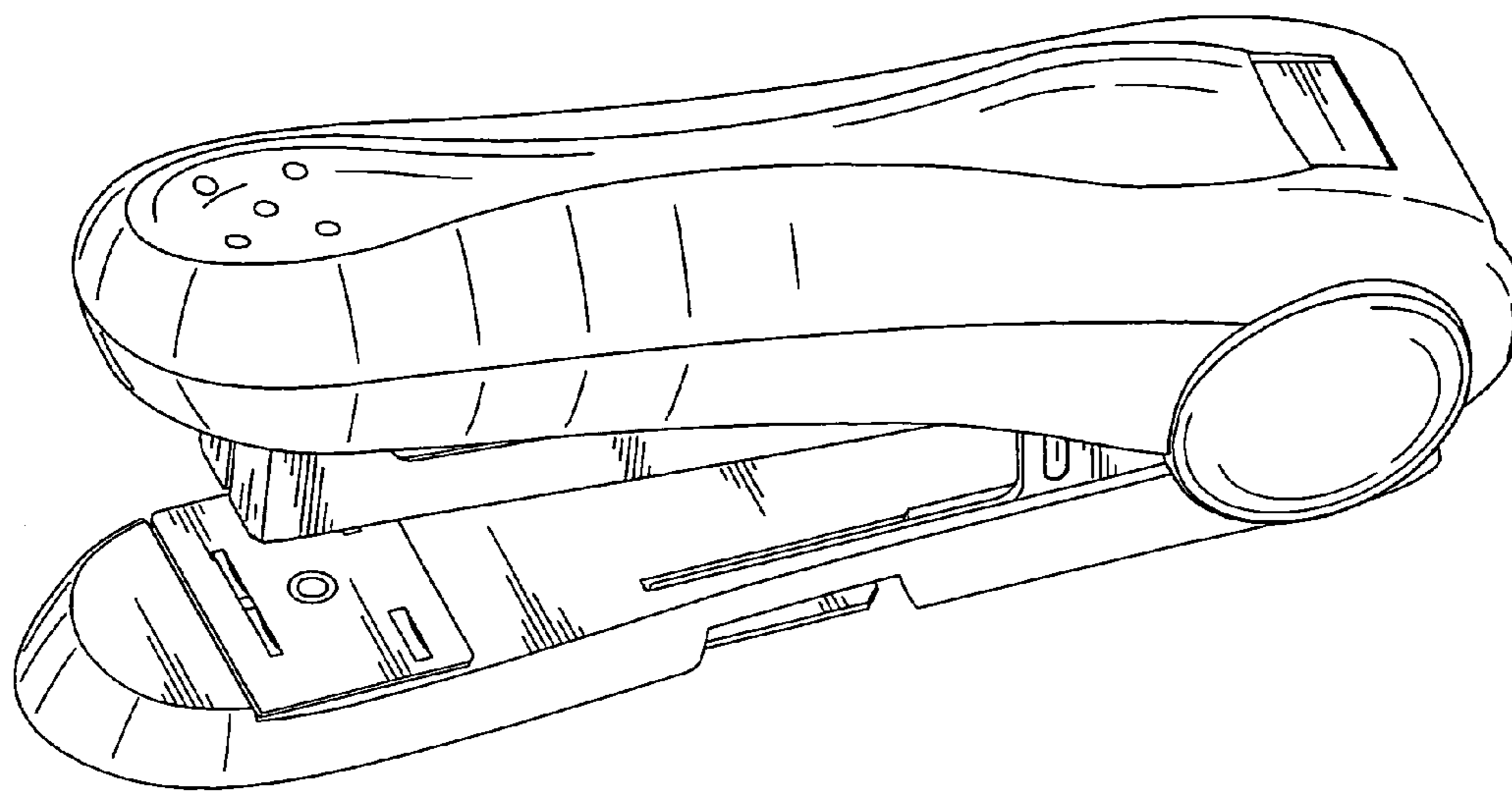


FIG. 1

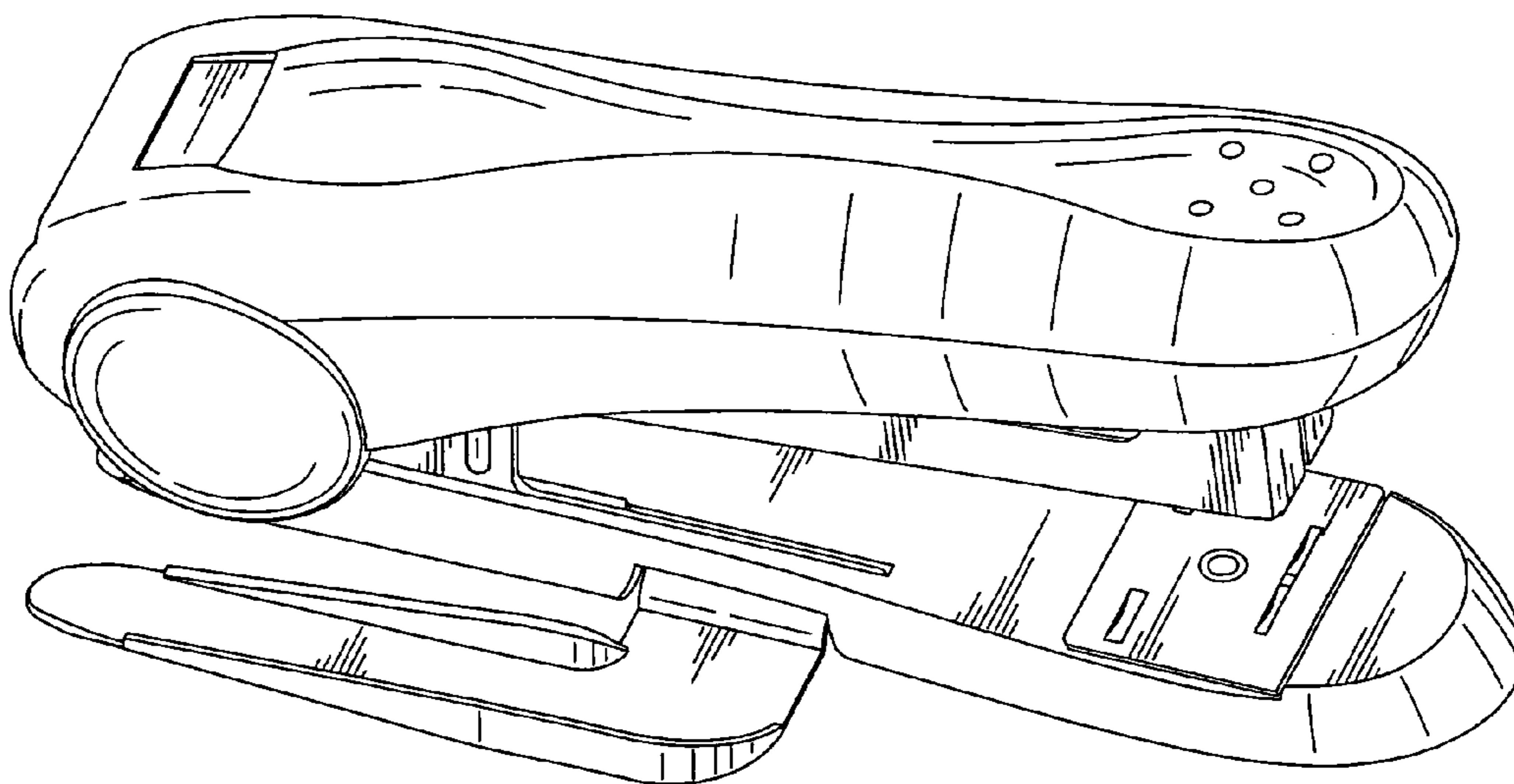


FIG. 2

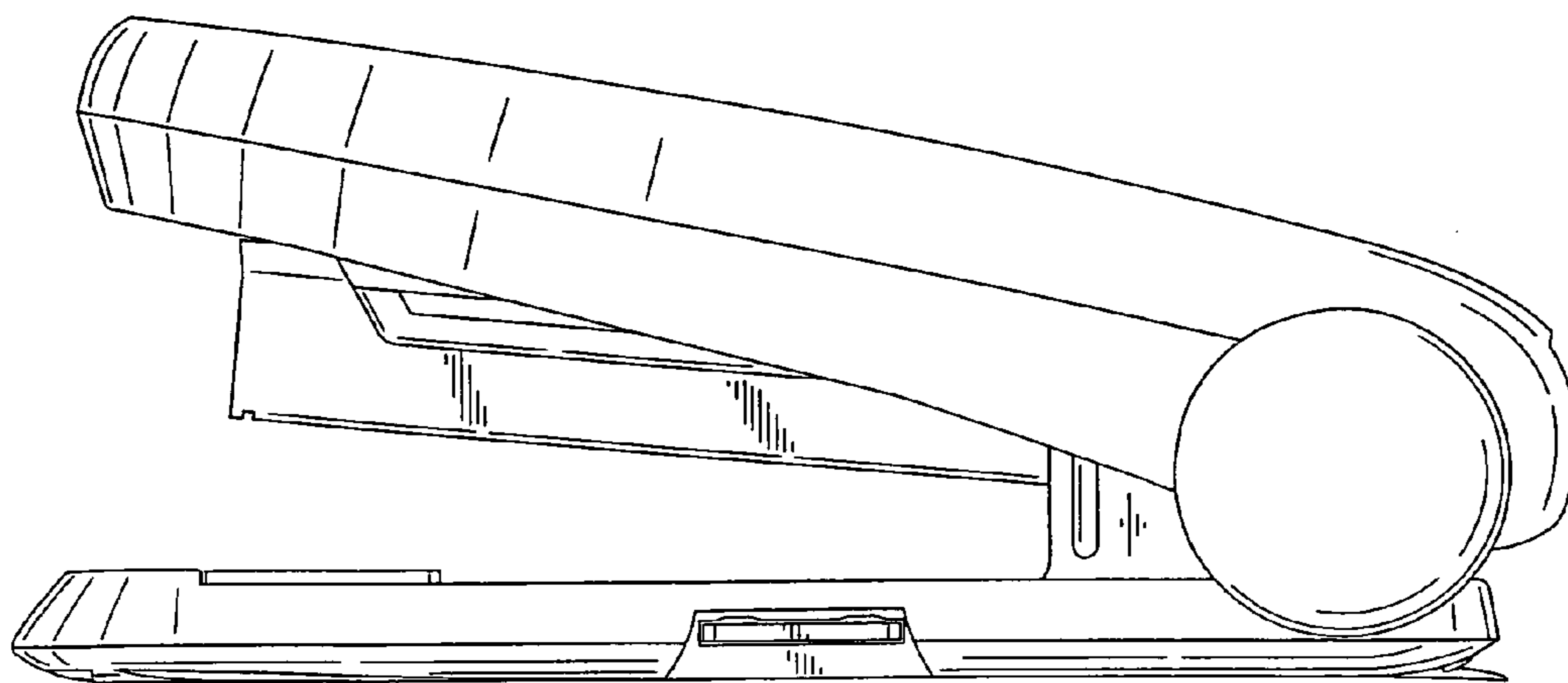


FIG. 3

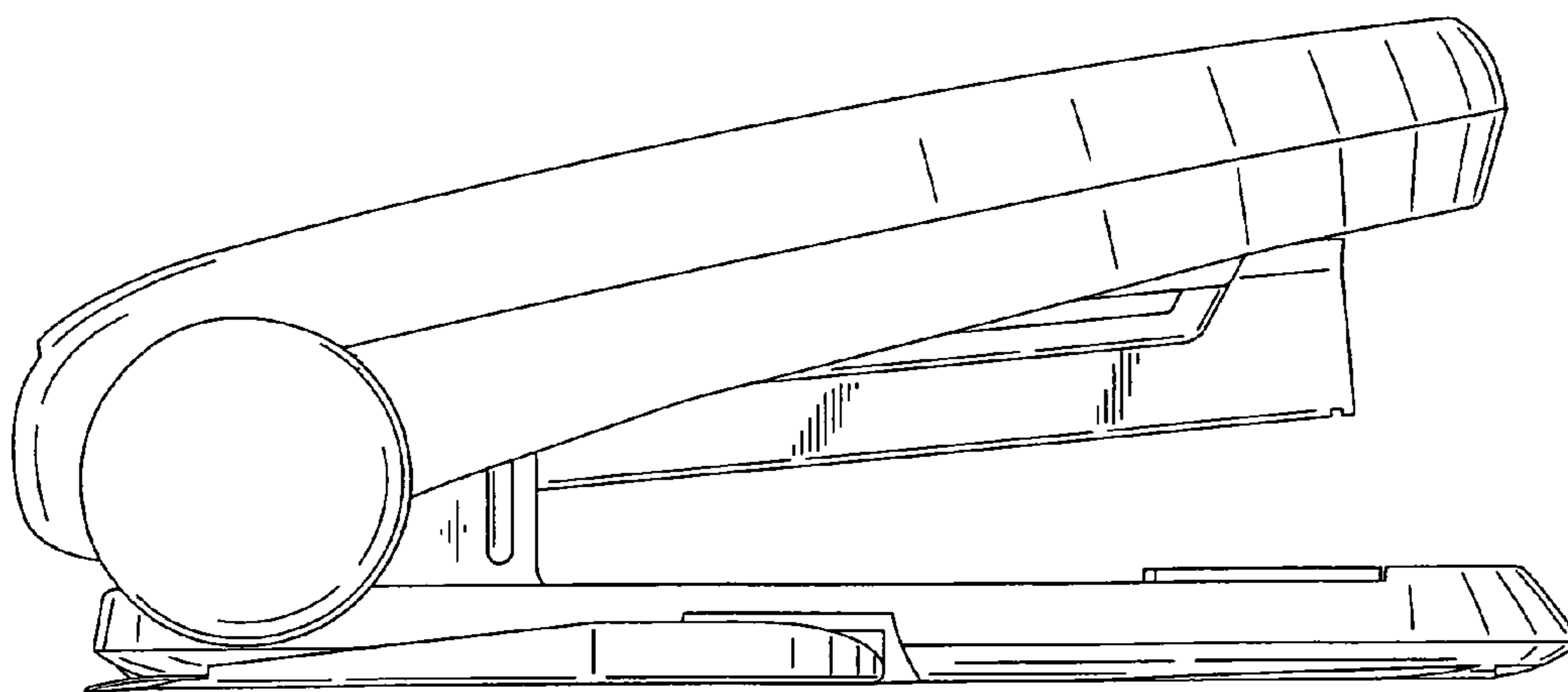


FIG. 4

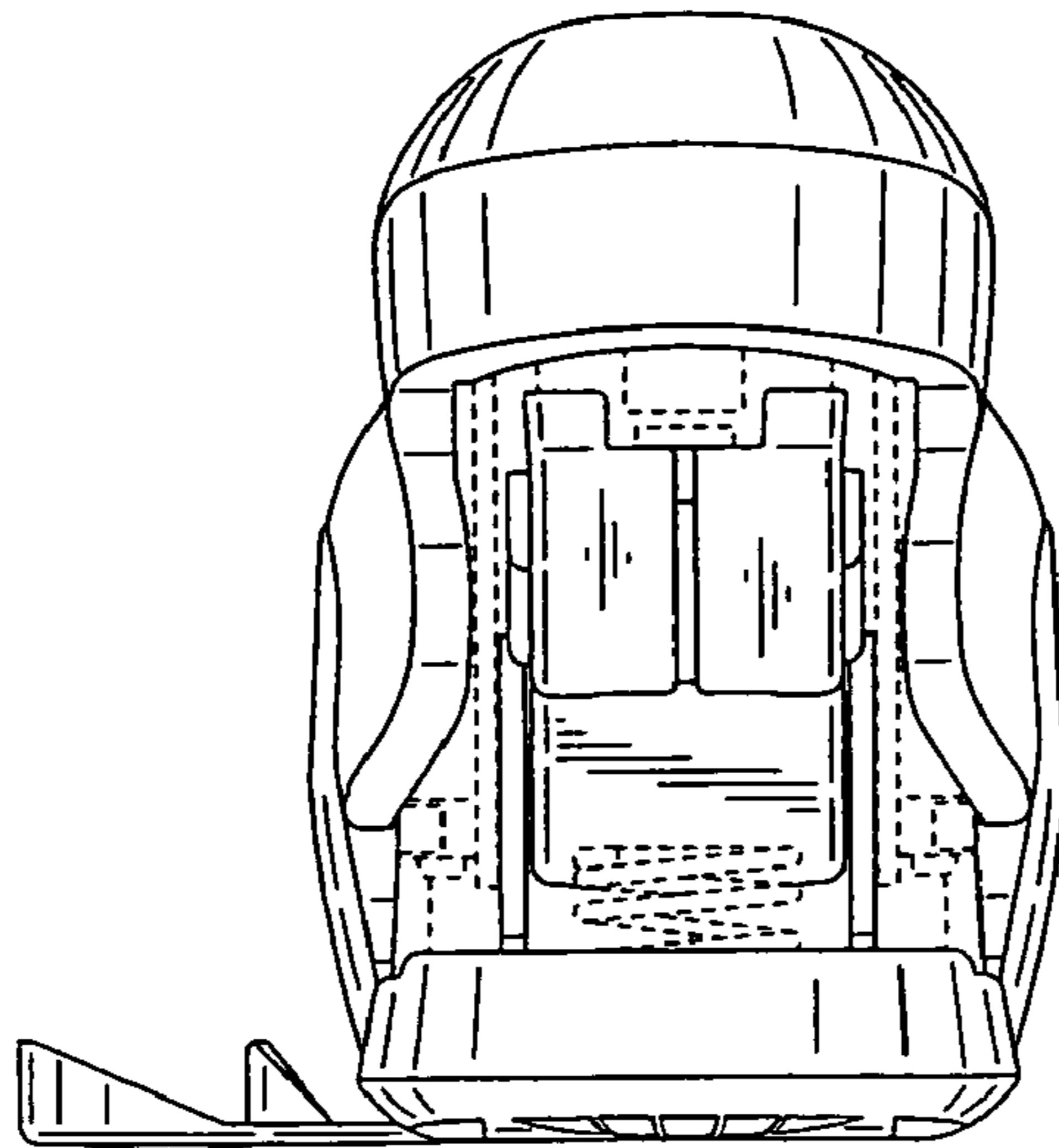


FIG. 5

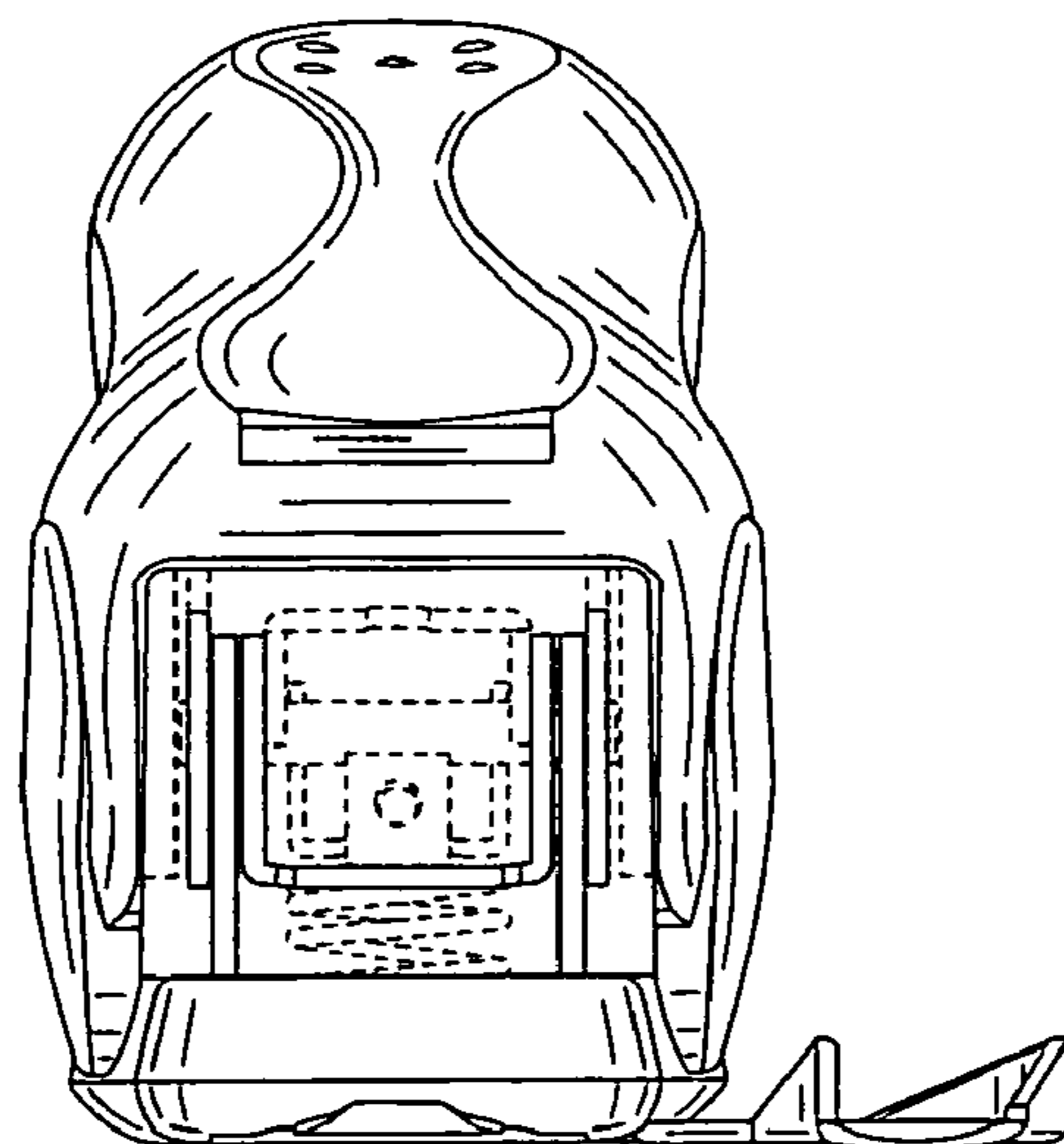


FIG. 6

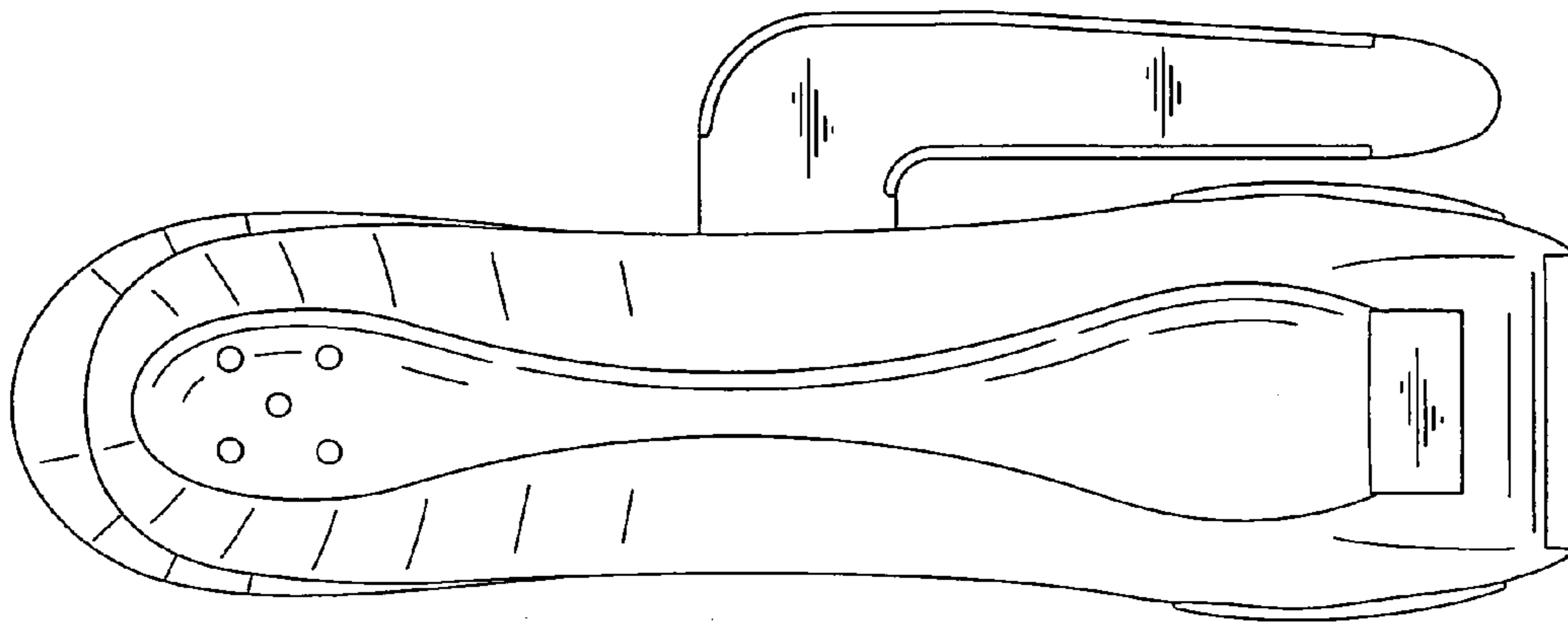


FIG. 7

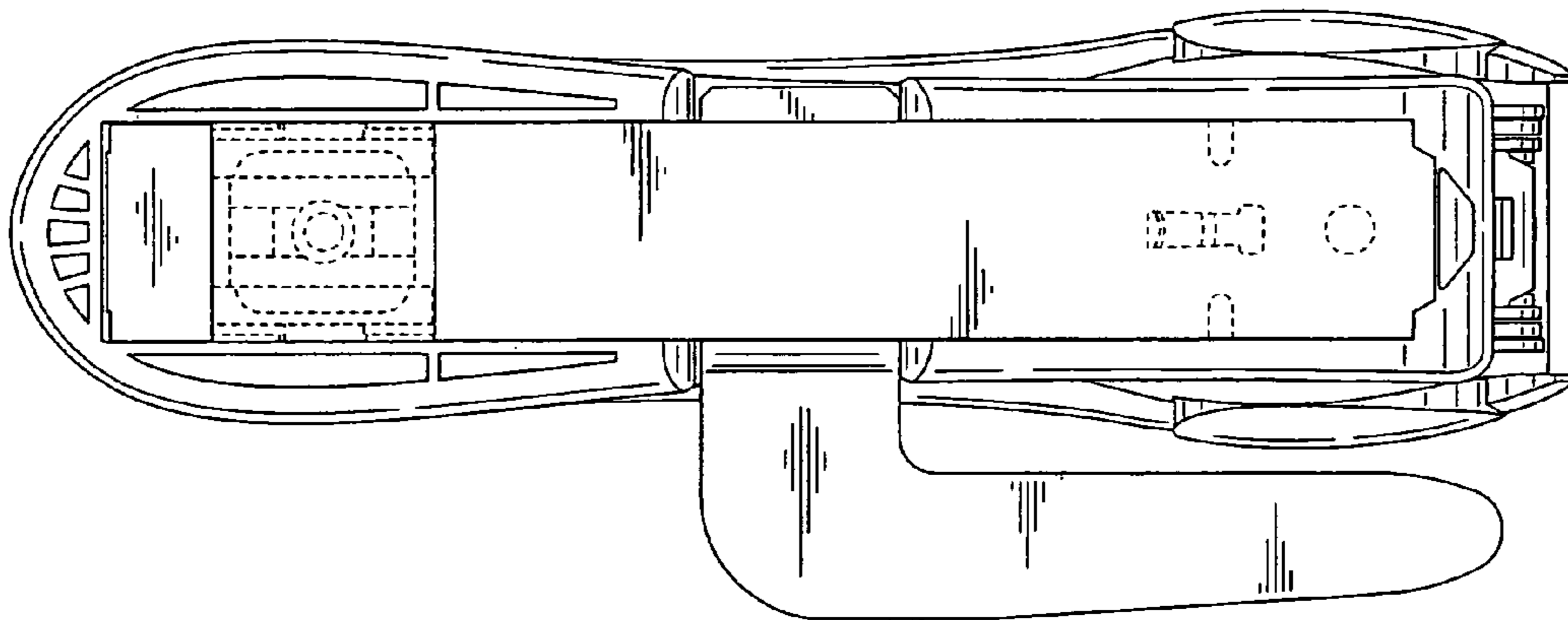


FIG. 8