



US00D582230S

(12) **United States Design Patent**  
**Lin**

(10) **Patent No.:** **US D582,230 S**  
(45) **Date of Patent:** **\*\* Dec. 9, 2008**

(54) **CONNECTOR TOOL COLLAR**

(76) Inventor: **Hsiu-Nien Lin**, P.O. Box 44-2049,  
Taipei (TW)

(\*\*) Term: **14 Years**

(21) Appl. No.: **29/300,440**

(22) Filed: **Mar. 26, 2008**

(51) **LOC (8) Cl.** ..... **08-05**

(52) **U.S. Cl.** ..... **D8/29**

(58) **Field of Classification Search** ..... D8/17,  
D8/21-29, 52, 55, 81-87, 102-107, 98, 99,  
D8/93, 94; 81/119, 121.1, 86, 124.2, 125,  
81/125.1, 176.1, 176.2, 177.1, 177.2, 177.3,  
81/177.85, 124.3, 124.7, 176.3, 179, 160,  
81/3.57, 3.55, 58.4, 186, 58.3, 300, 58.1,  
81/60-63.2, 165-170, 110.1, 124.6, 176.15,  
81/121.7, 436, 437, 418, 177.8, 177.9, 185.1,  
81/3.4, 177.4, 492, 57, 58, 13, 177.7; 81/490,  
81/415-423, 427.5, 488, 489; 140/119; 16/422,  
16/186, 429

See application file for complete search history.

(56) **References Cited**

**U.S. PATENT DOCUMENTS**

5,101,695 A \* 4/1992 Johnson ..... 81/124.6  
D350,685 S \* 9/1994 Perkins et al. .... D8/86  
5,860,338 A \* 1/1999 Littlefield ..... 81/177.2  
5,924,343 A \* 7/1999 Bogni et al. .... 81/125  
5,950,507 A \* 9/1999 Wolfe ..... 81/177.2

6,374,709 B1 \* 4/2002 Vasichek et al. .... 81/125  
6,729,210 B2 \* 5/2004 Morris ..... 81/124.2  
7,313,988 B2 \* 1/2008 Williams et al. .... 81/125  
7,331,262 B2 \* 2/2008 Petit et al. .... 81/438

\* cited by examiner

*Primary Examiner*—Raphael Barkai  
*Assistant Examiner*—Randall H Gholson

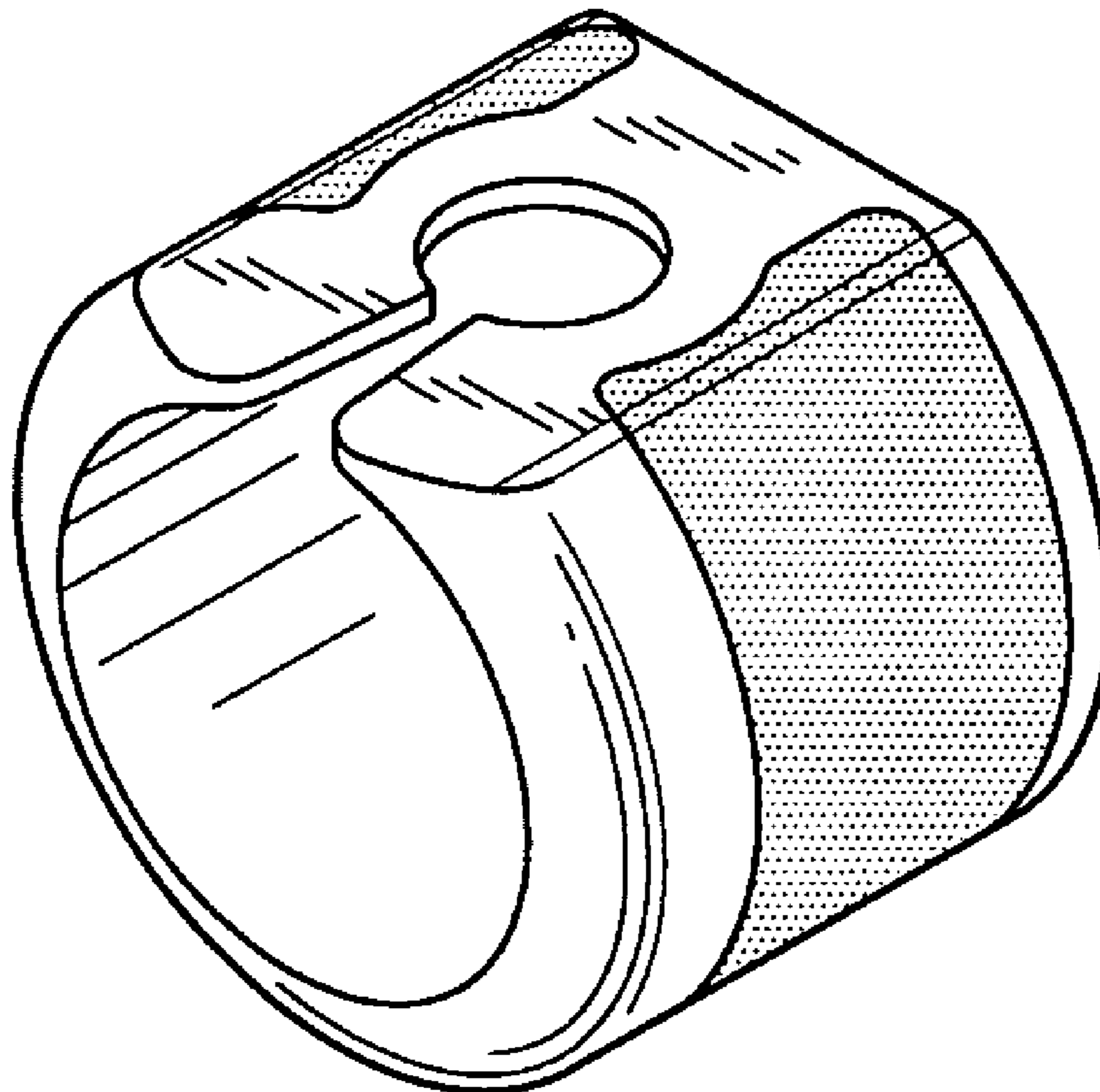
(57) **CLAIM**

The ornamental design for an connector tool collar, as shown and described.

**DESCRIPTION**

FIG. 1 is a perspective view of an connector tool collar;  
FIG. 2 is a front view thereof;  
FIG. 3 is a back view thereof;  
FIG. 4 is a left-view thereof;  
FIG. 5 is a right view thereof;  
FIG. 6 is a top view thereof;  
FIG. 7 is a bottom view thereof.  
FIG. 8 is a perspective view thereof showing an example in use; wherein the broken lines are shown for illustrative purpose only and from no part of the claimed design; and,  
FIG. 9 is a perspective view thereof showing an example in use; wherein the broken lines are shown for illustrative purpose only and from no part of the claimed design.

**1 Claim, 5 Drawing Sheets**



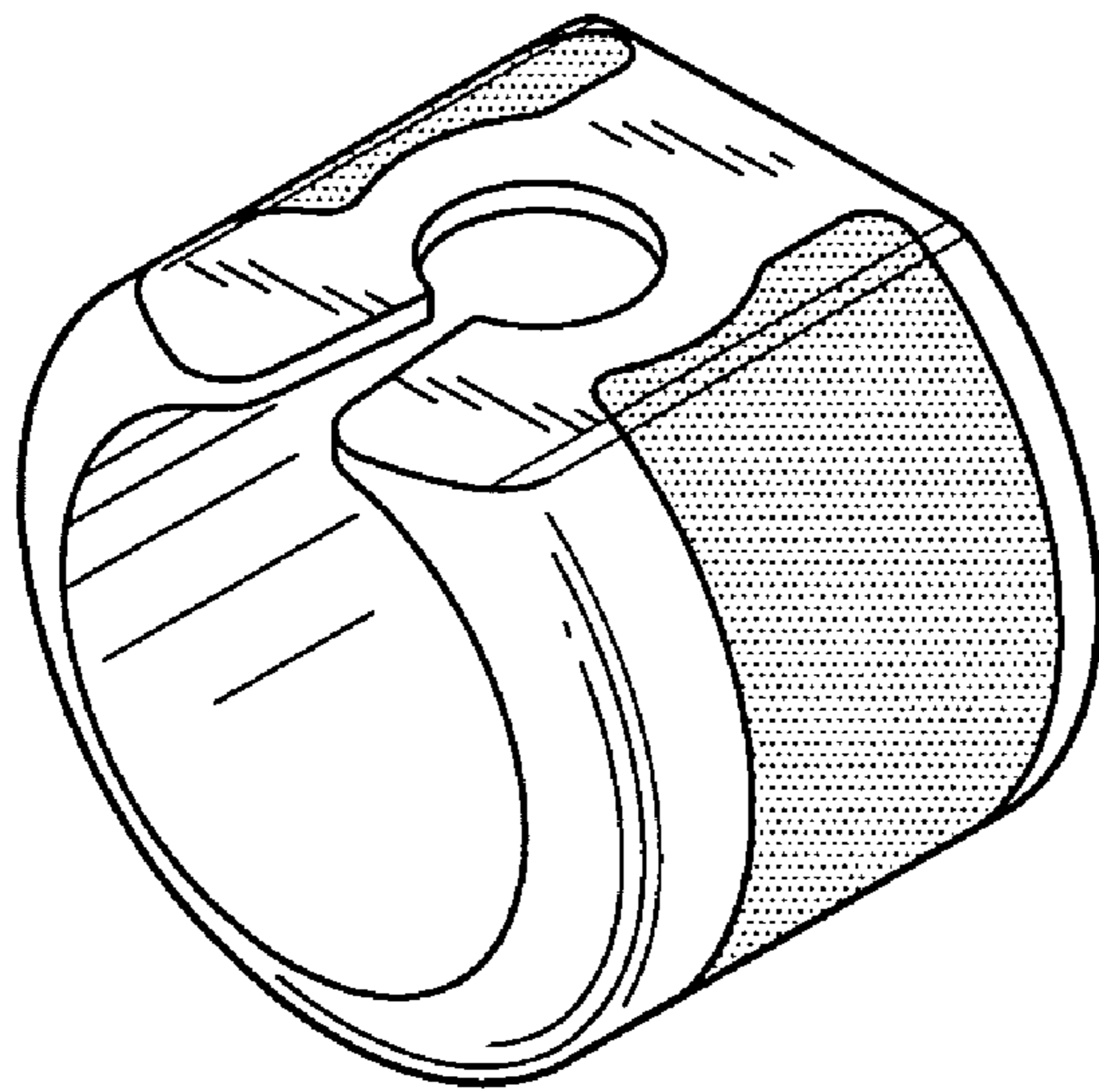


FIG. 1

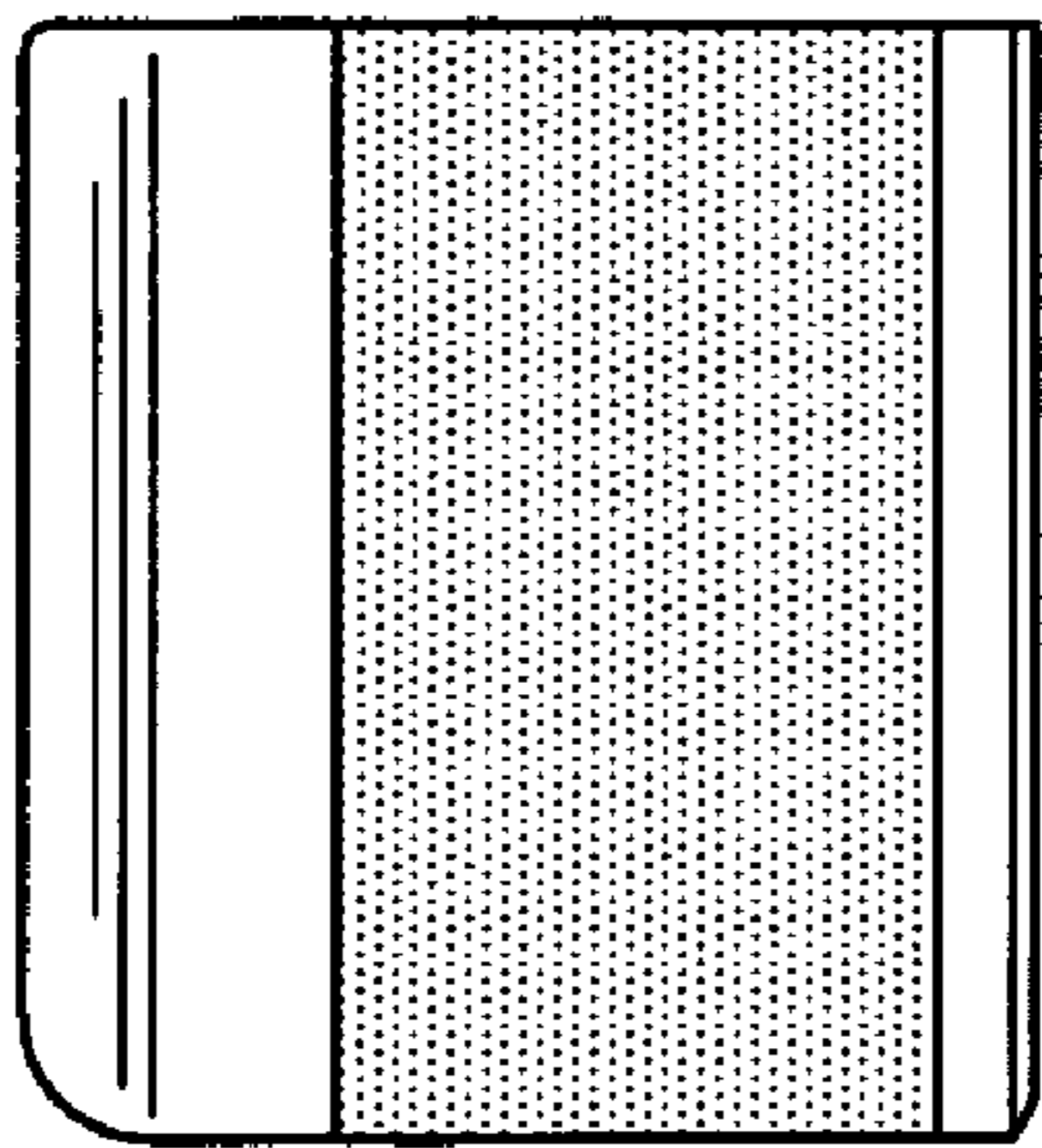


FIG. 2

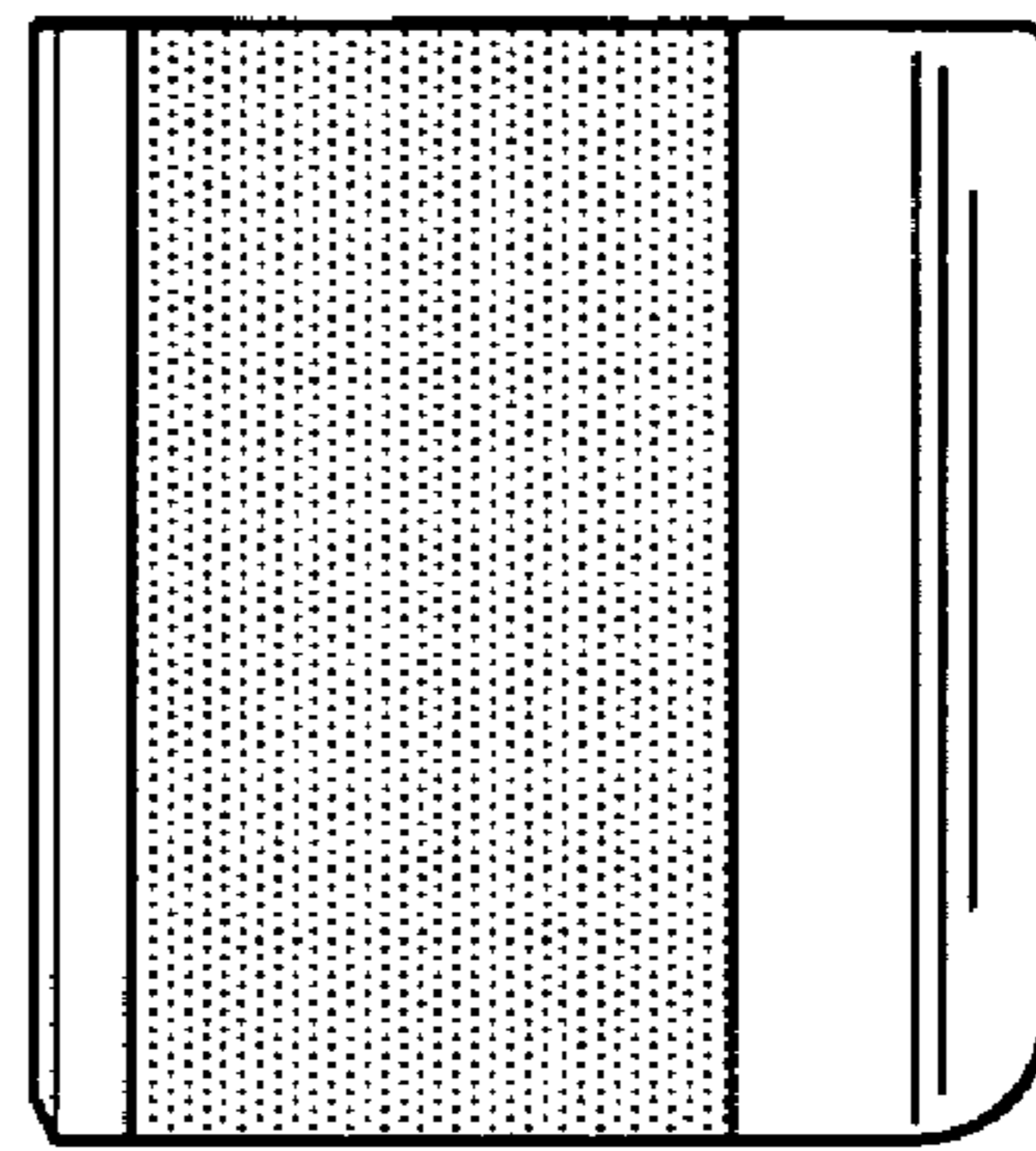


FIG. 3

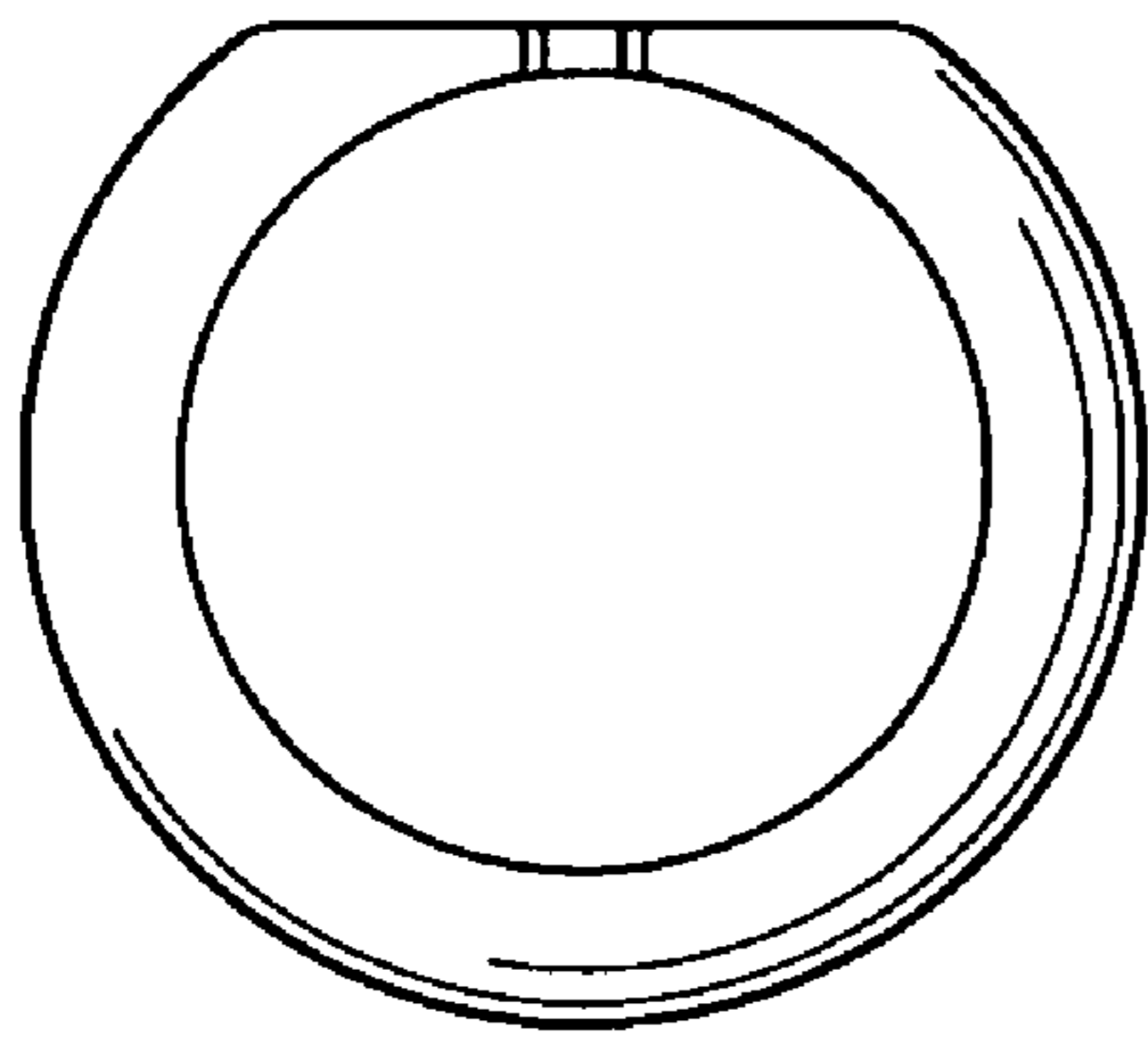


FIG. 4

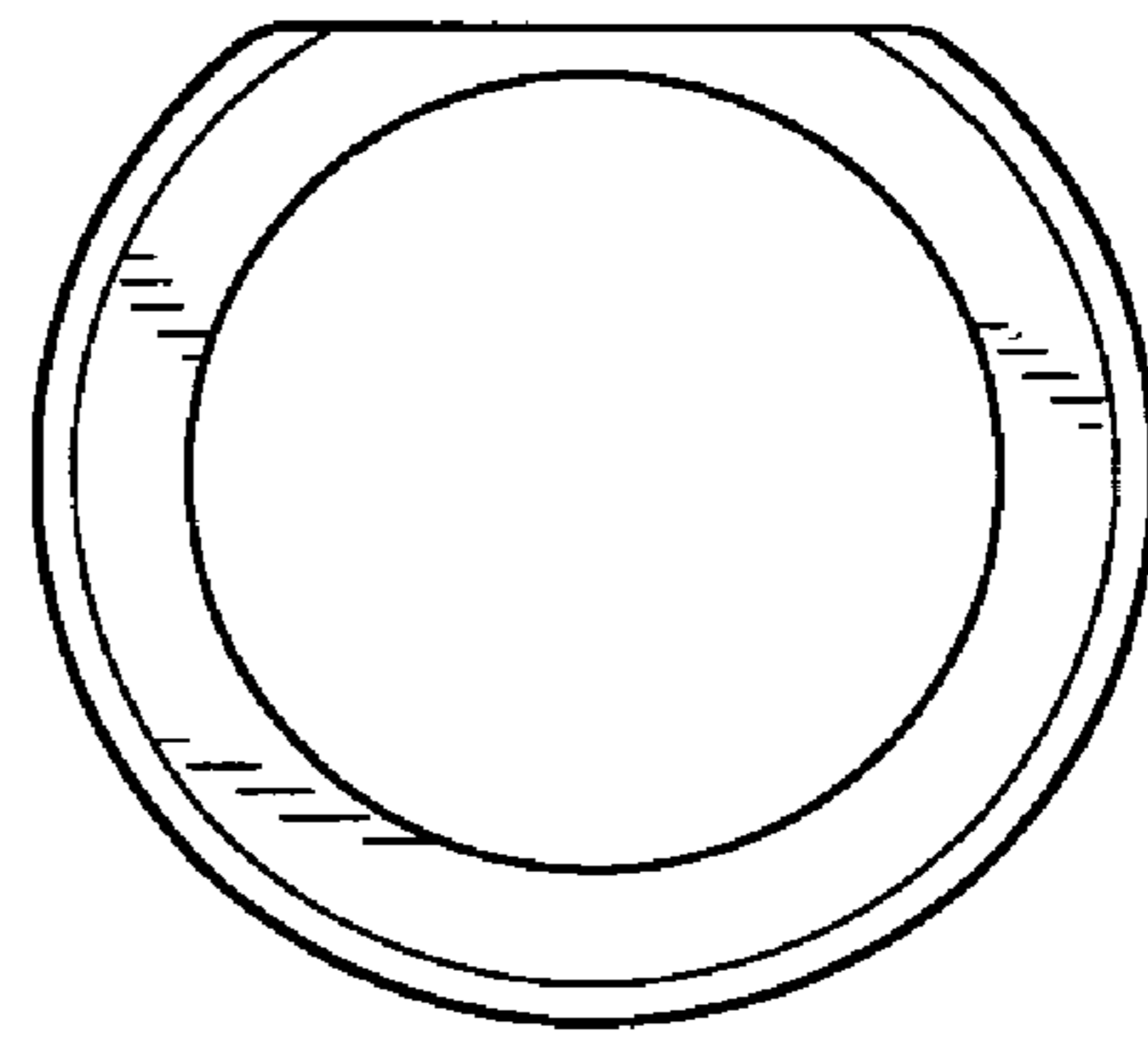


FIG. 5

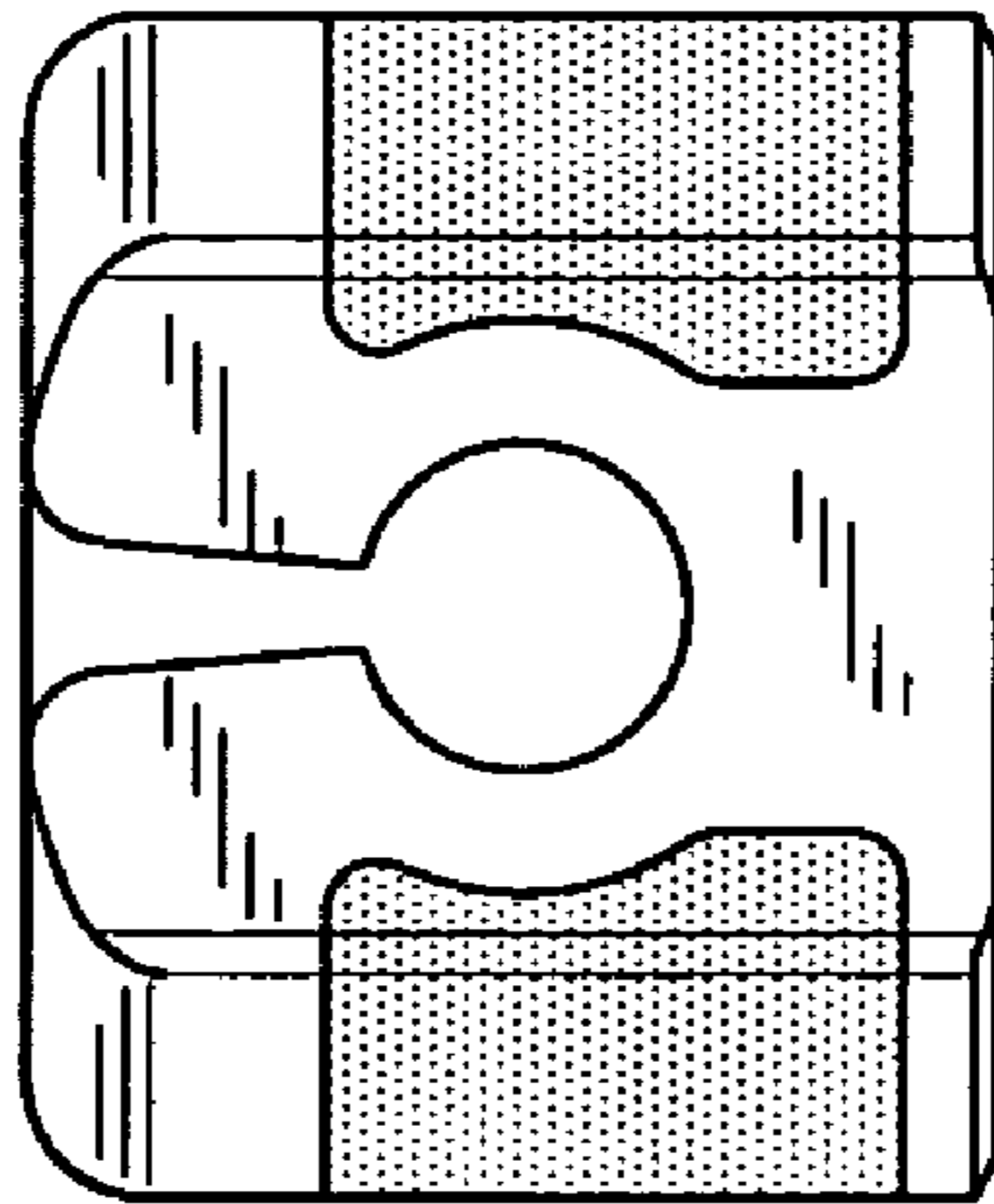


FIG. 6

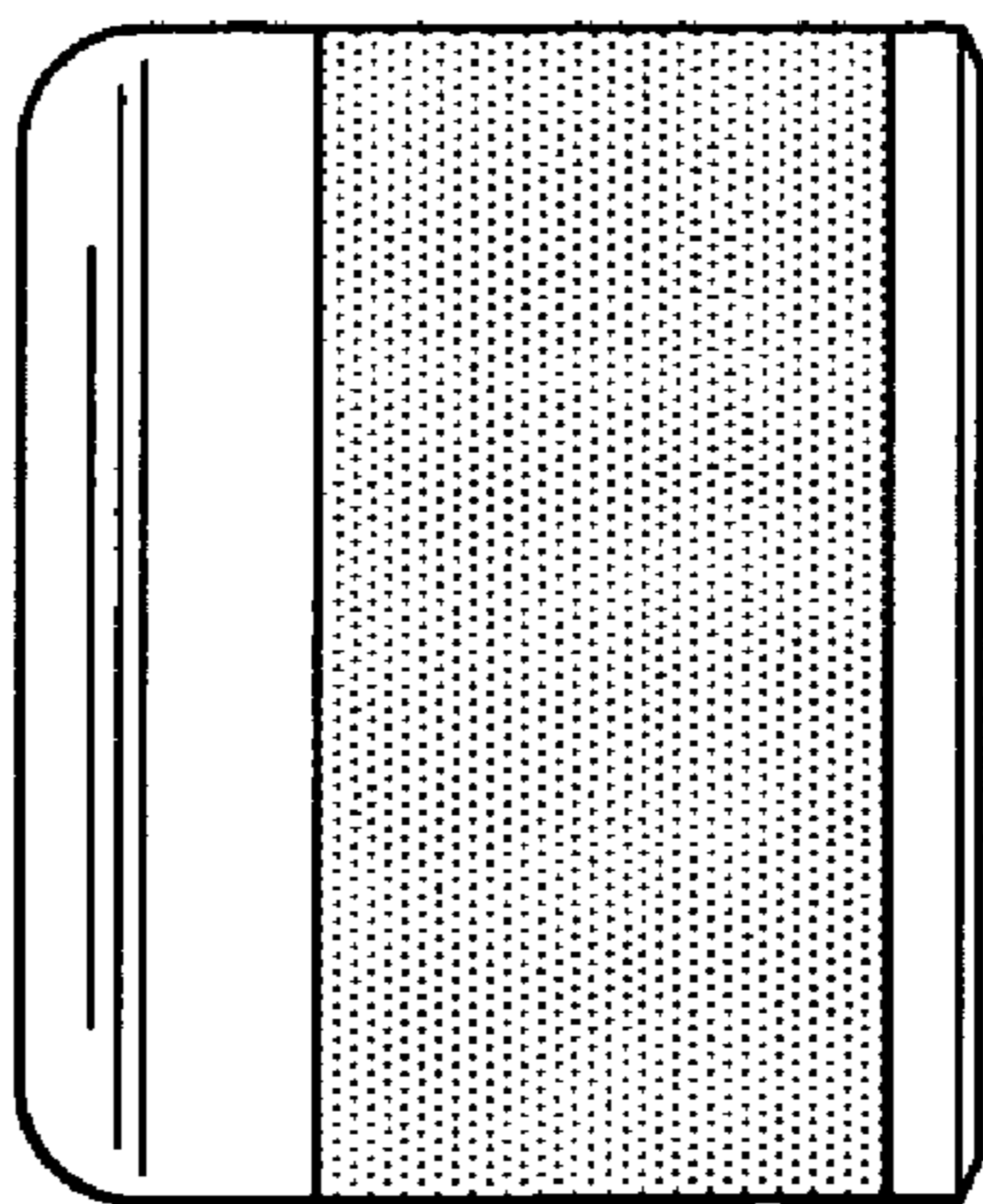


FIG. 7

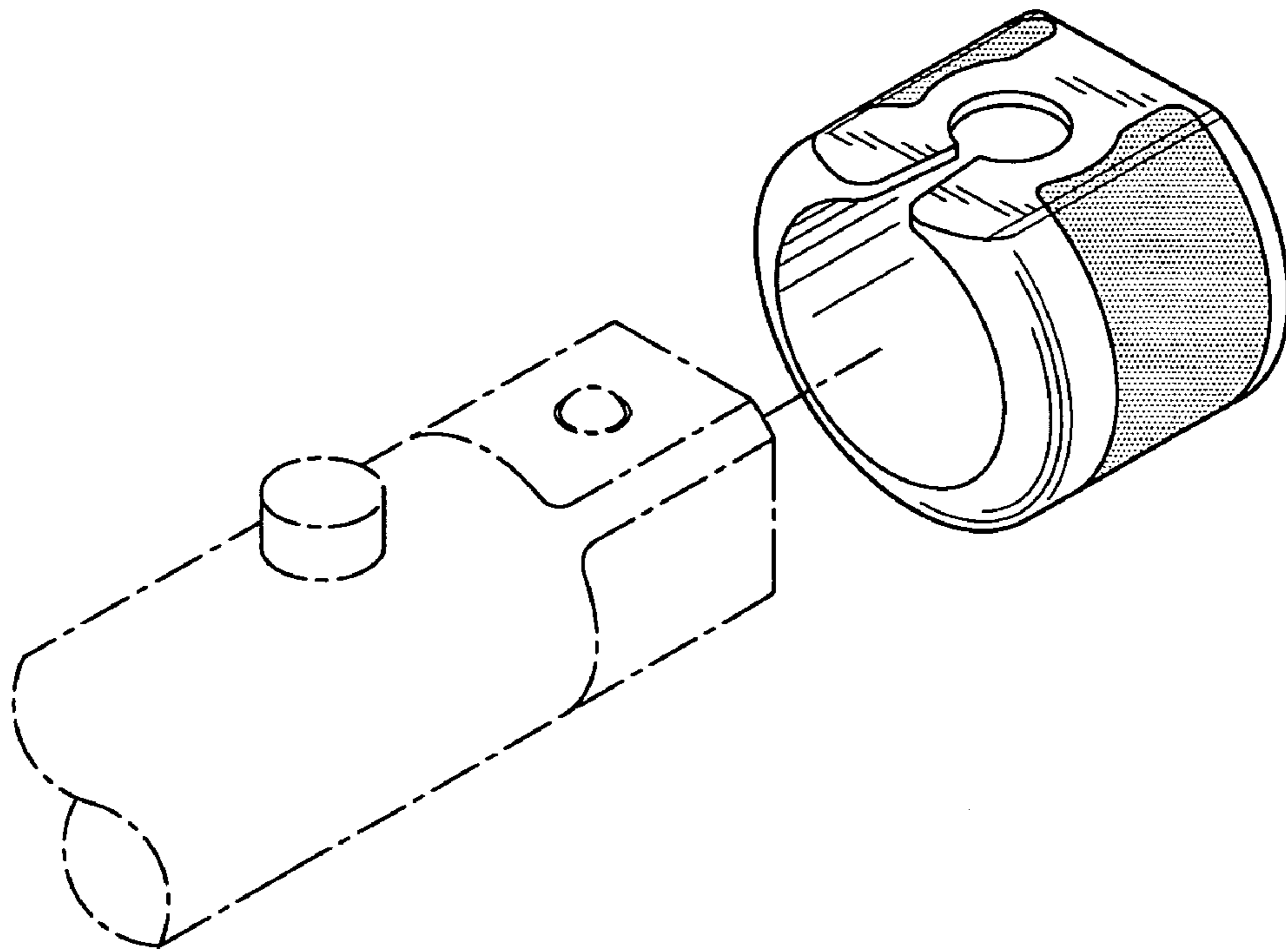


FIG. 8

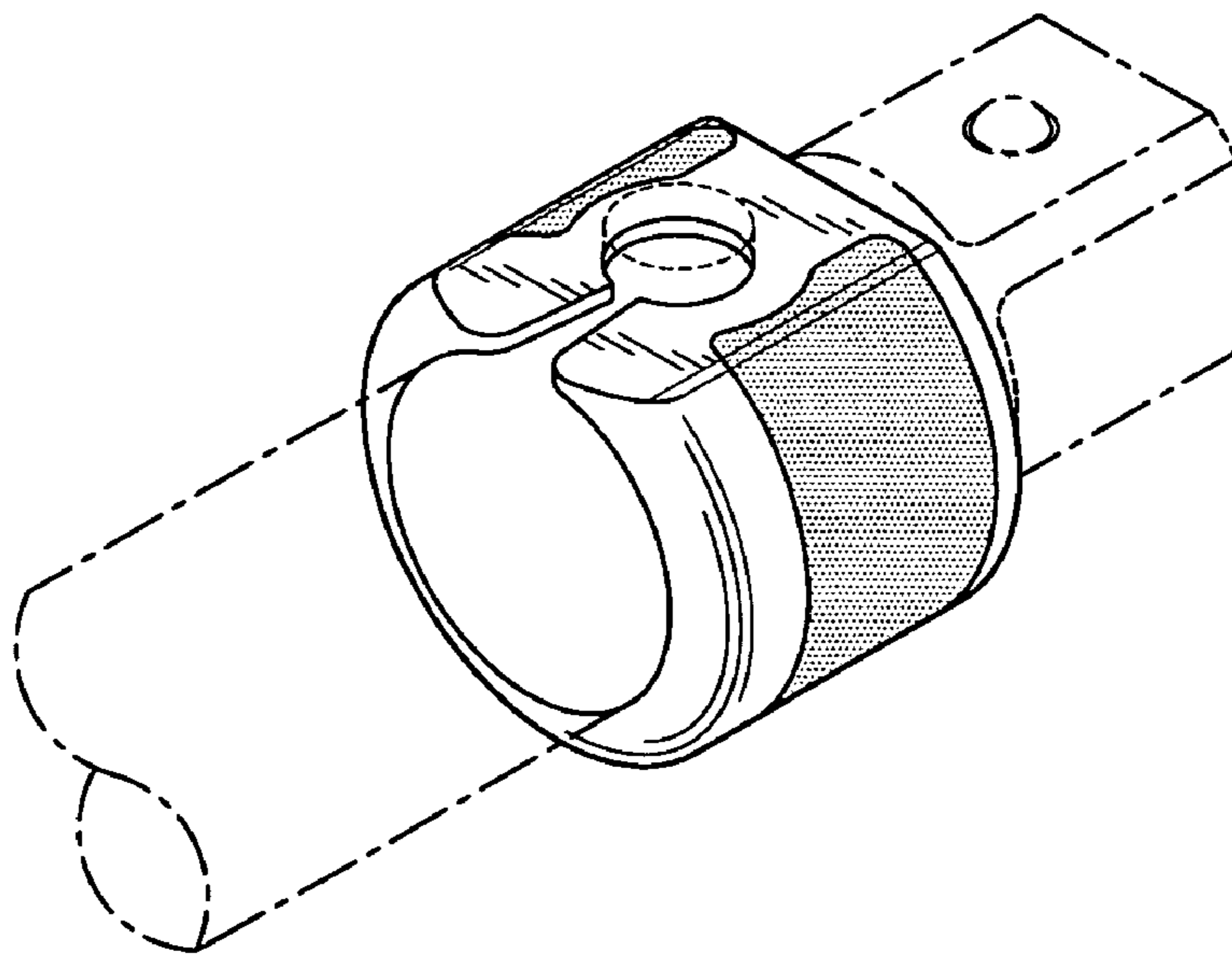


FIG. 9