



US00D582228S

(12) **United States Design Patent**
Ordoukhanian

(10) **Patent No.:** **US D582,228 S**

(45) **Date of Patent:** **** Dec. 9, 2008**

(54) **PLUG PROTECTOR REMOVAL TOOL**

(76) Inventor: **Raymond D. Ordoukhanian**, 105 Twin Falls Dr., Troy, MO (US) 63379

(**) Term: **14 Years**

(21) Appl. No.: **29/301,239**

(22) Filed: **Feb. 19, 2008**

(51) **LOC (8) Cl.** **08-05**

(52) **U.S. Cl.** **D8/14; D8/88**

(58) **Field of Classification Search** D8/14,
D8/88, 89; 254/21, 25, 28; 29/270, 762,
29/764; 7/166

See application file for complete search history.

(56) **References Cited**

U.S. PATENT DOCUMENTS

2,476,735	A *	7/1949	Johnson	439/160
D314,321	S *	2/1991	Johnston	D8/89
5,469,614	A *	11/1995	Lyonnais	29/764
D369,074	S *	4/1996	Durand	D8/14
5,625,943	A *	5/1997	Lyonnais	29/764
D381,877	S *	8/1997	Lyonnais	D8/14
D404,984	S *	2/1999	Skinner	D8/14

D540,631	S *	4/2007	Bryant	D8/14
2008/0196244	A1 *	8/2008	Miglin	29/764

* cited by examiner

Primary Examiner—Philip S Hyder
(74) *Attorney, Agent, or Firm*—Kevin L. Klug

(57) **CLAIM**

The ornamental design for a plug protector removal tool, as shown and described.

DESCRIPTION

FIG. 1 is a front perspective view of a plug protector removal tool;

FIG. 2 is a rear perspective view thereof;

FIG. 3 is a top side plan view thereof;

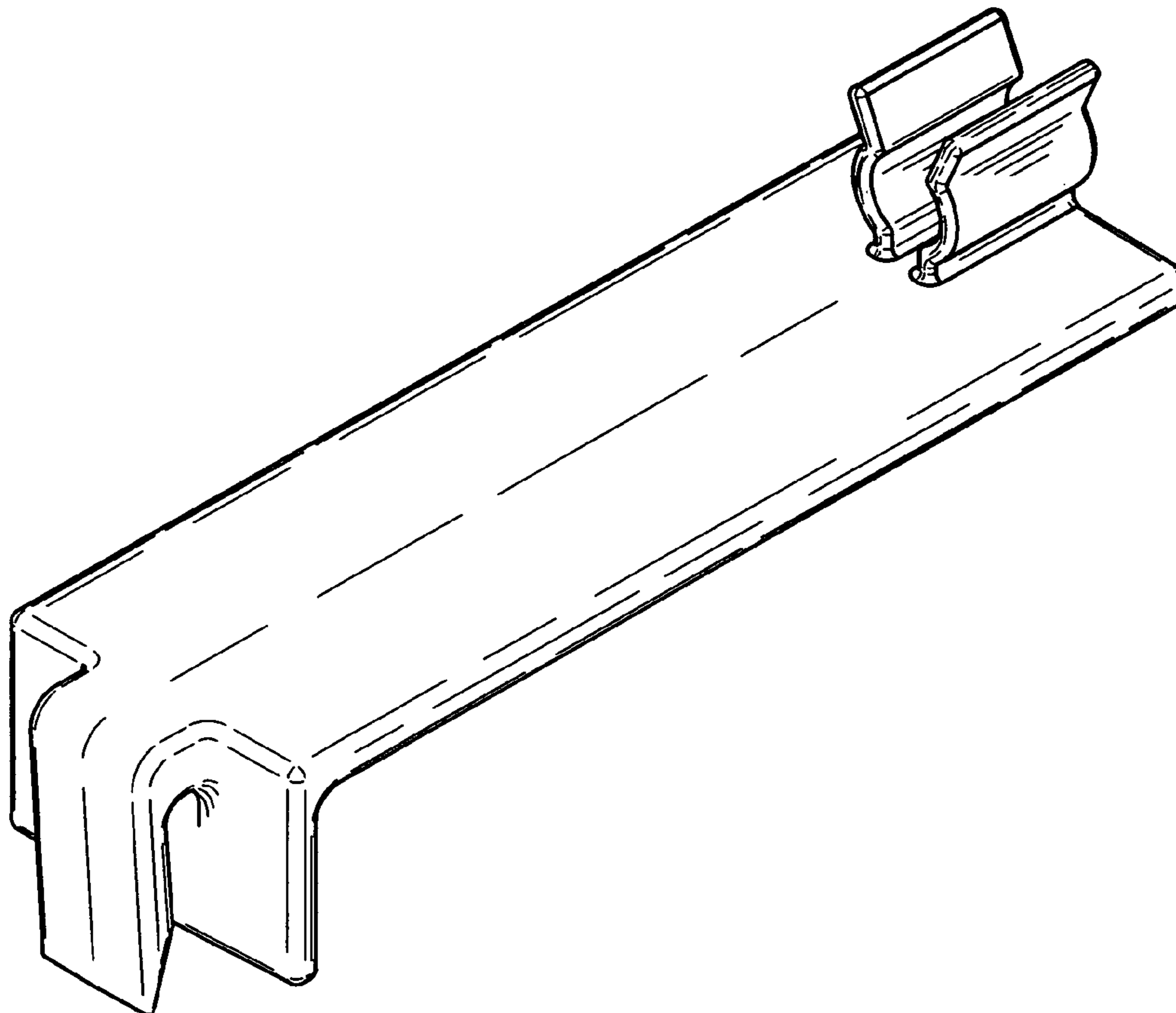
FIG. 4 is a bottom side plan view thereof;

FIG. 5 is a front elevation view thereof;

FIG. 6 is a rear elevation view thereof; and,

FIG. 7 is a left side elevation view thereof, wherein the right side elevation view is a mirror image.

1 Claim, 5 Drawing Sheets



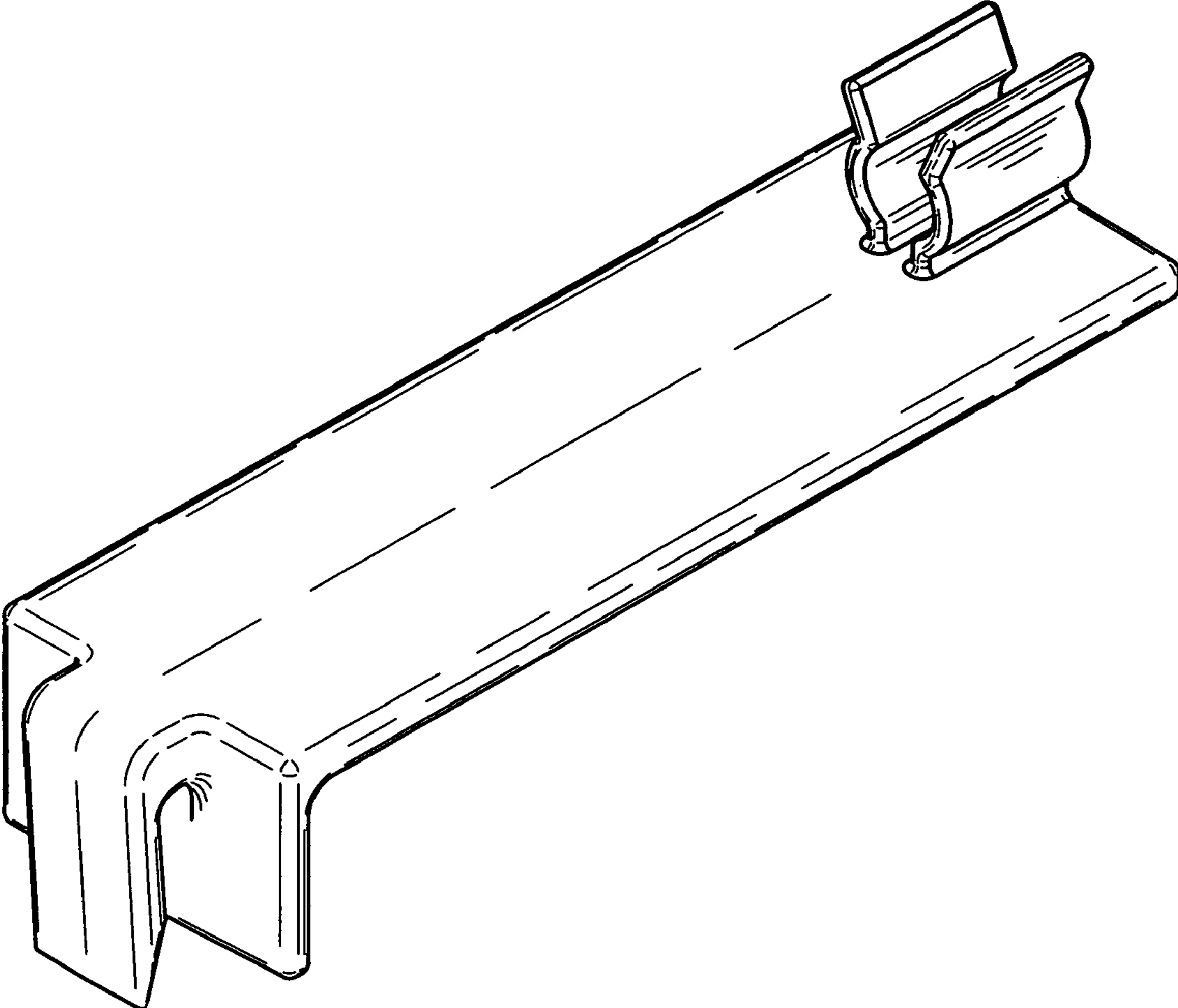


Fig. 1

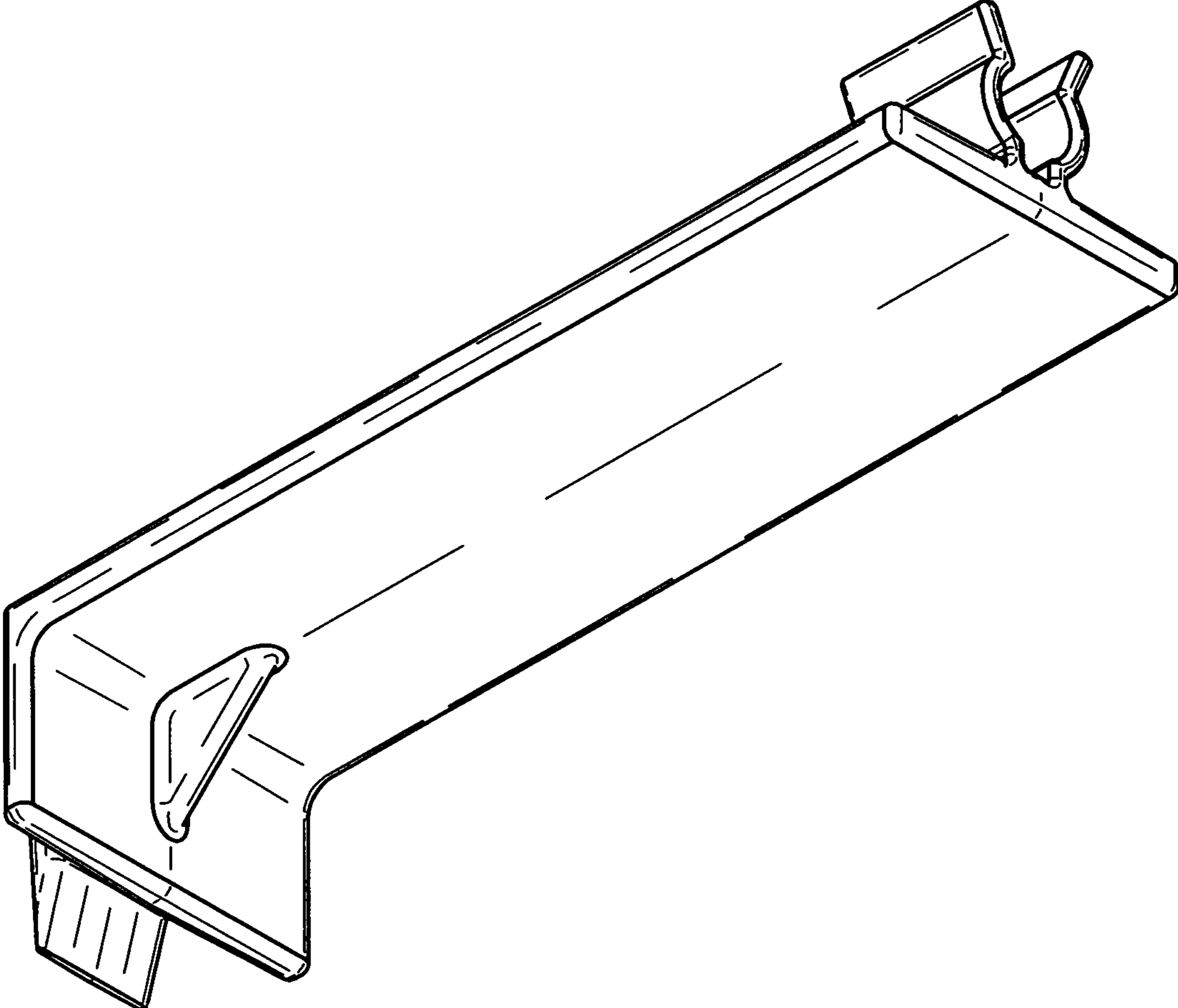


Fig. 2

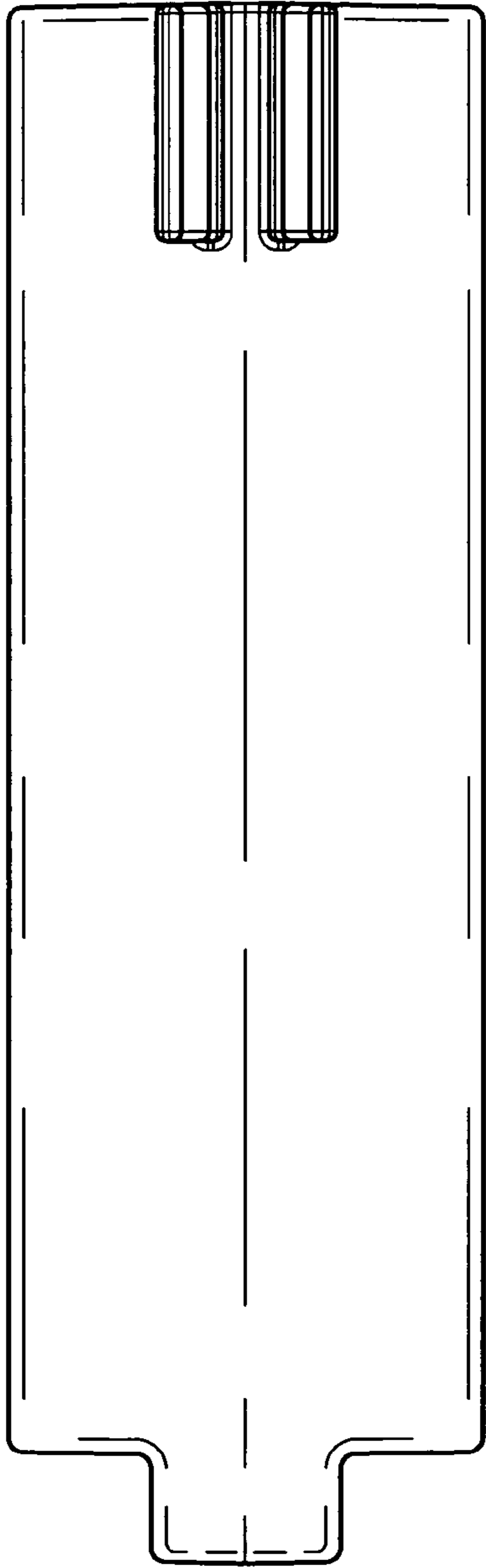


Fig. 3

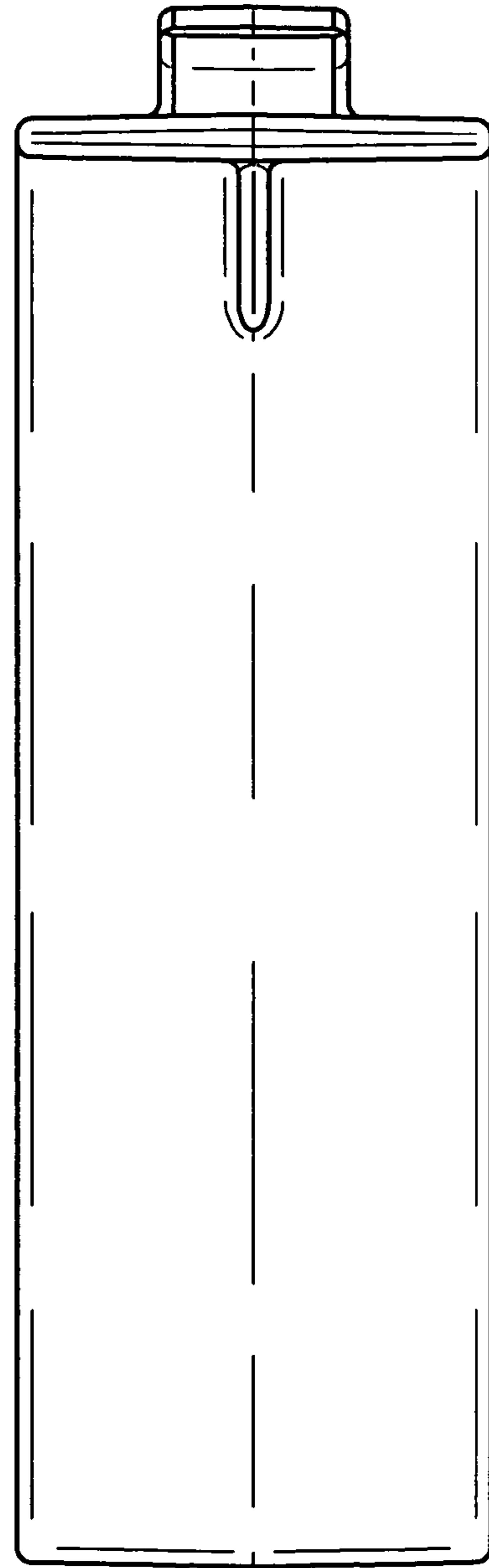


Fig. 4

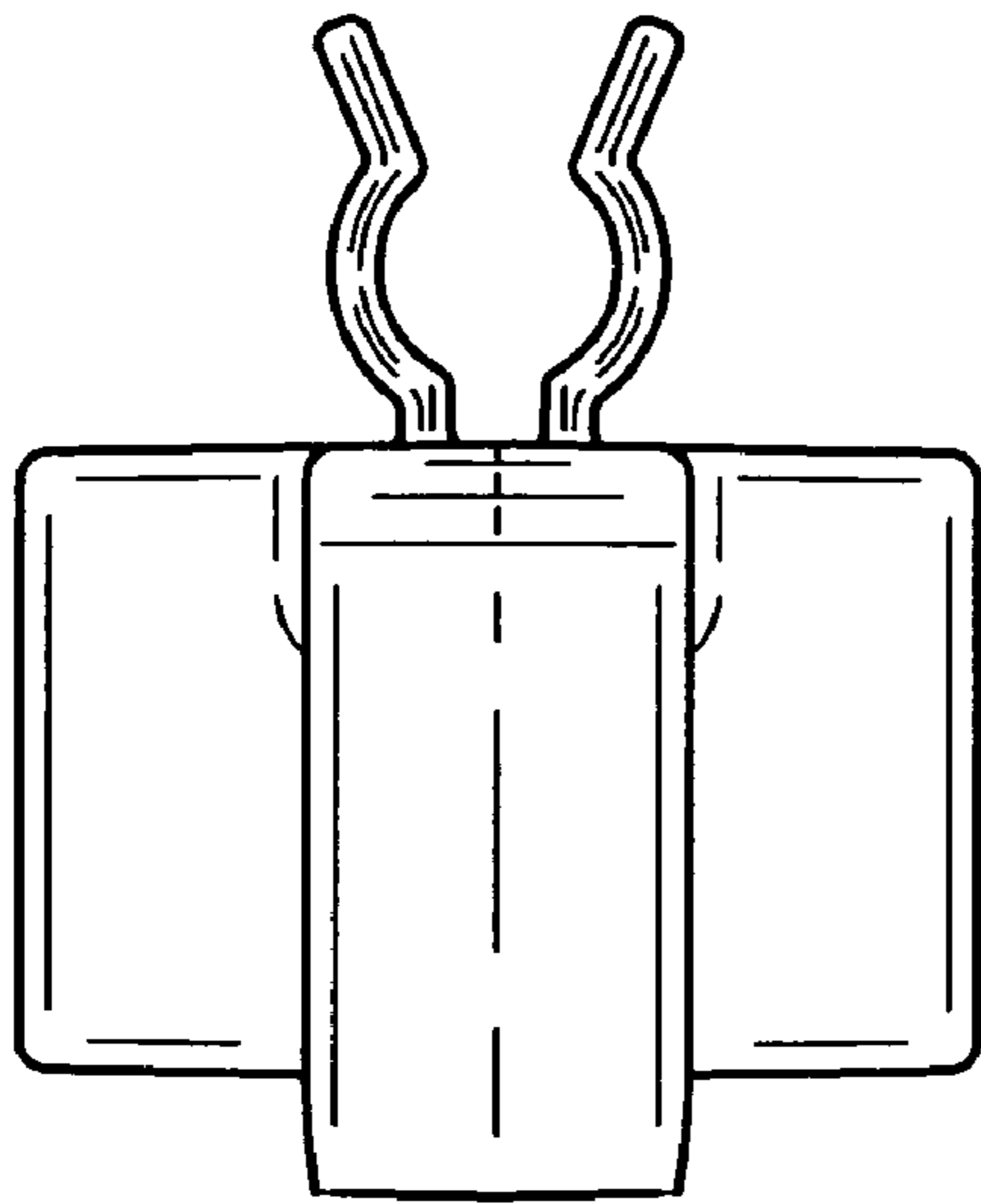


Fig. 5

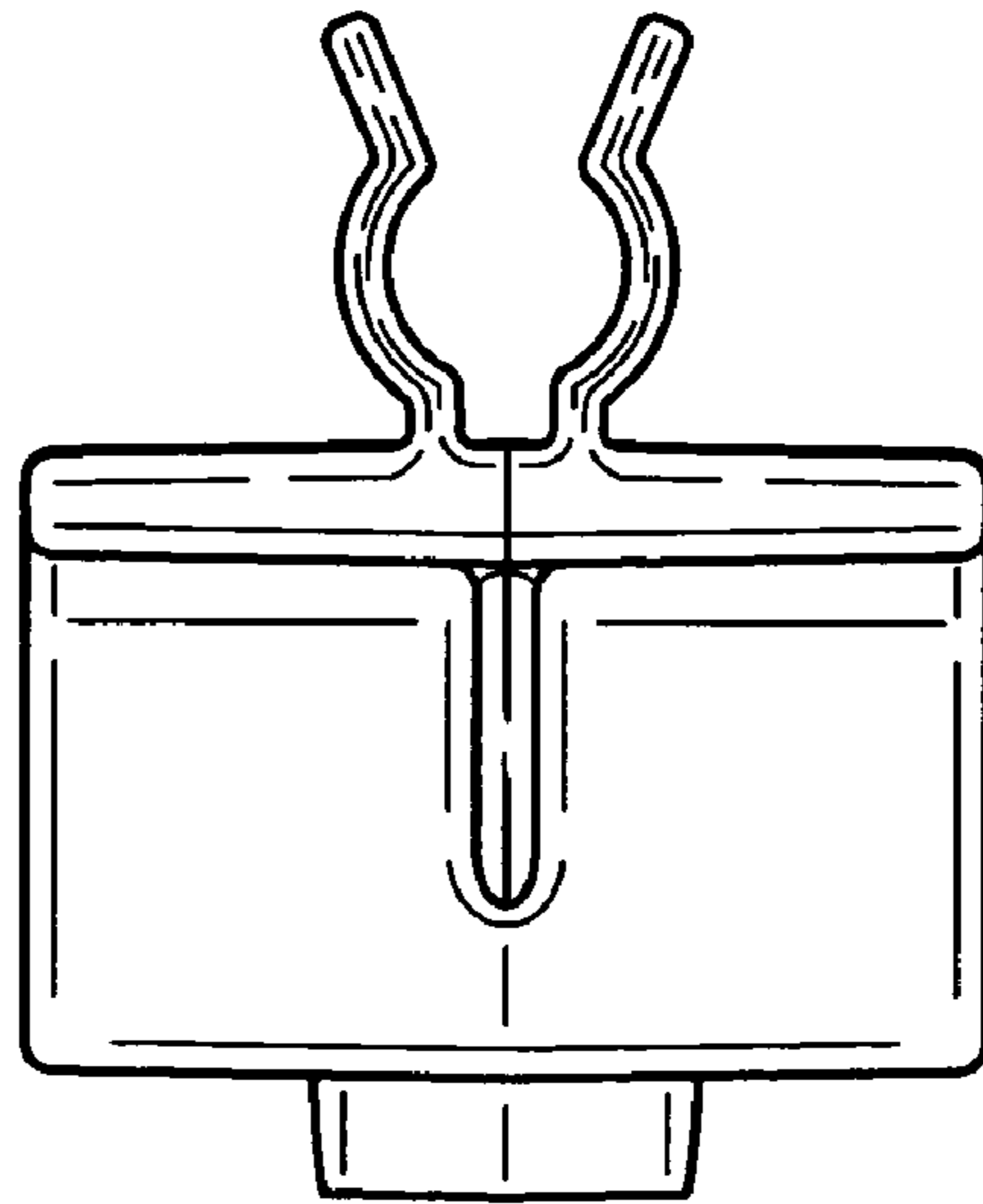


Fig. 6

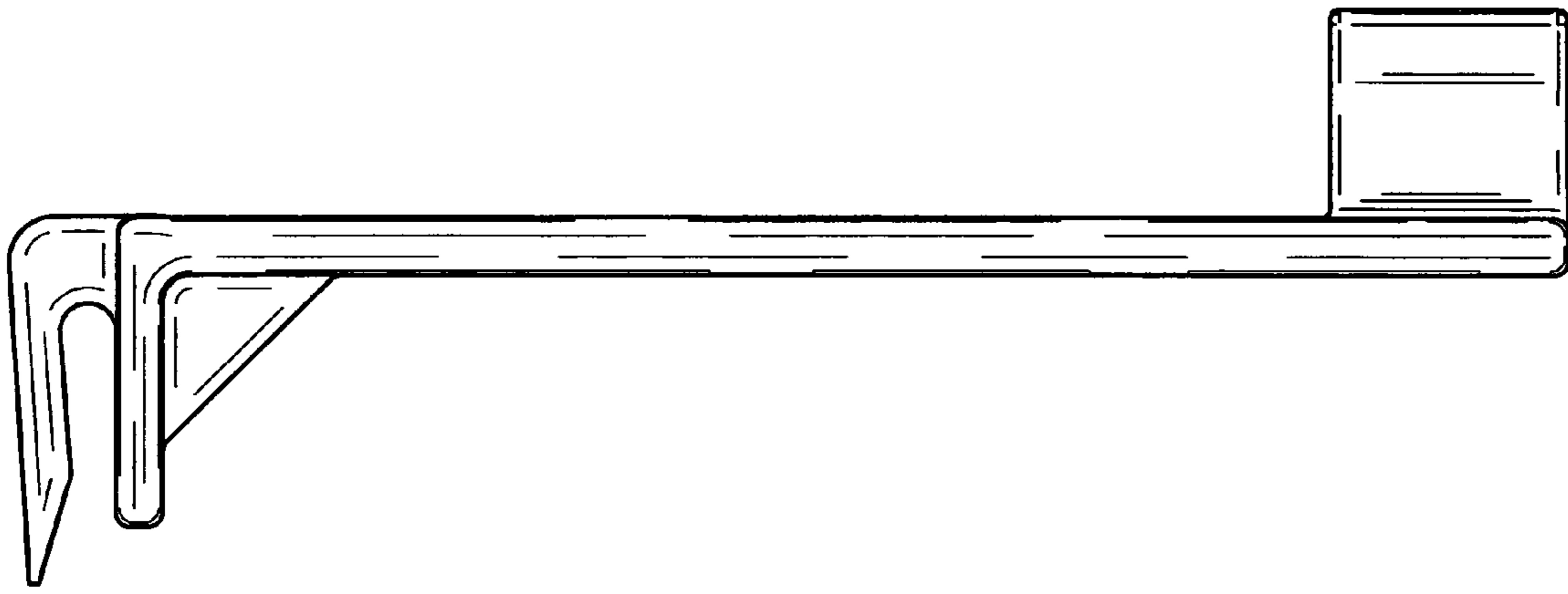


Fig. 7