



US00D582225S

(12) **United States Design Patent**
Bochmann et al.

(10) **Patent No.:** **US D582,225 S**
(45) **Date of Patent:** **** Dec. 9, 2008**

(54) **CORDLESS HEDGE TRIMMER**

(75) Inventors: **Cherry Bochmann**, Bay Village, OH (US); **Erin Riddell**, Bay Village, OH (US)

(73) Assignee: **DESA IP, LLC**, Miami, FL (US)

(**) Term: **14 Years**

(21) Appl. No.: **29/280,563**

(22) Filed: **May 31, 2007**

(51) **LOC (8) Cl.** **08-01**

(52) **U.S. Cl.** **D8/8**

(58) **Field of Classification Search** D8/7,
D8/8, 9; 30/208, 276, 228, 382, 383, 216;
56/12.7, 233-237

See application file for complete search history.

(56) **References Cited**

U.S. PATENT DOCUMENTS

3,212,188	A *	10/1965	Riley, Jr. et al.	30/216
D372,407	S *	8/1996	Haneda et al.	D8/8
D460,329	S *	7/2002	Waldron	D8/9
D460,667	S *	7/2002	Waldron	D8/8
D462,882	S *	9/2002	Evans	D8/8
D463,228	S *	9/2002	Cooper	D8/8
D463,229	S *	9/2002	Gabriel	D8/8

D468,600	S *	1/2003	Evans	D8/8
D505,602	S *	5/2005	Houghton	D8/8
D522,818	S *	6/2006	Andriolo	D8/8
7,178,248	B2 *	2/2007	Richards	30/520
D543,805	S *	6/2007	Houghton	D8/8

* cited by examiner

Primary Examiner—Holly H Baynham

Assistant Examiner—Sheryl Lane

(74) *Attorney, Agent, or Firm*—Suiter Swantz pc llo

(57) **CLAIM**

The ornamental design for a cordless hedge trimmer, as shown and described.

DESCRIPTION

FIG. 1 is a perspective view of the cordless hedge trimmer of the present invention;

FIG. 2 is a left side view of the design of the present invention;

FIG. 3 is a rear view of the design of the present invention;

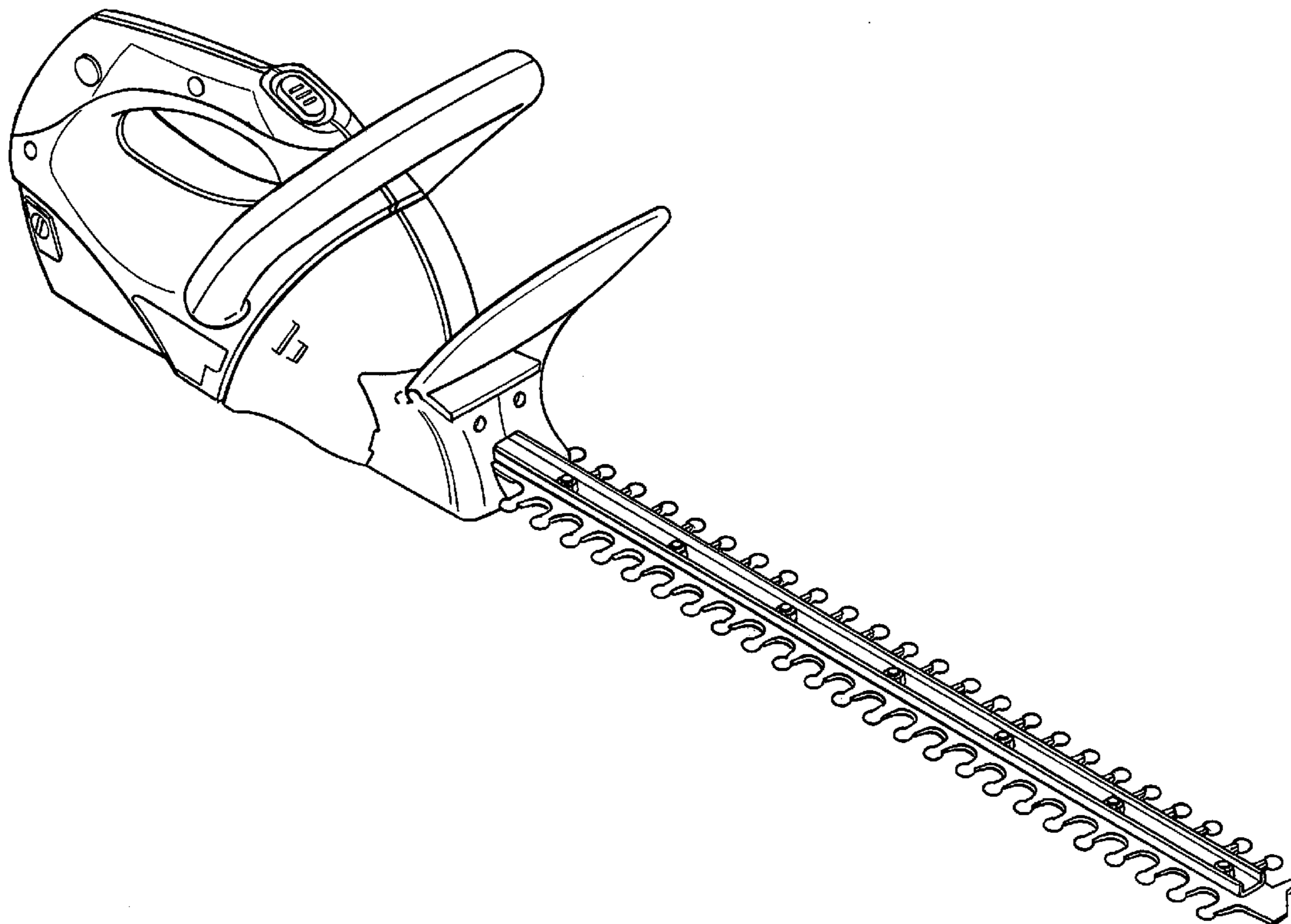
FIG. 4 is a front view of the design of the present invention;

FIG. 5 is a right side view of the design of the present invention;

FIG. 6 is a top view of the design of the present invention; and,

FIG. 7 is a bottom view of the design of the present invention.

1 Claim, 7 Drawing Sheets



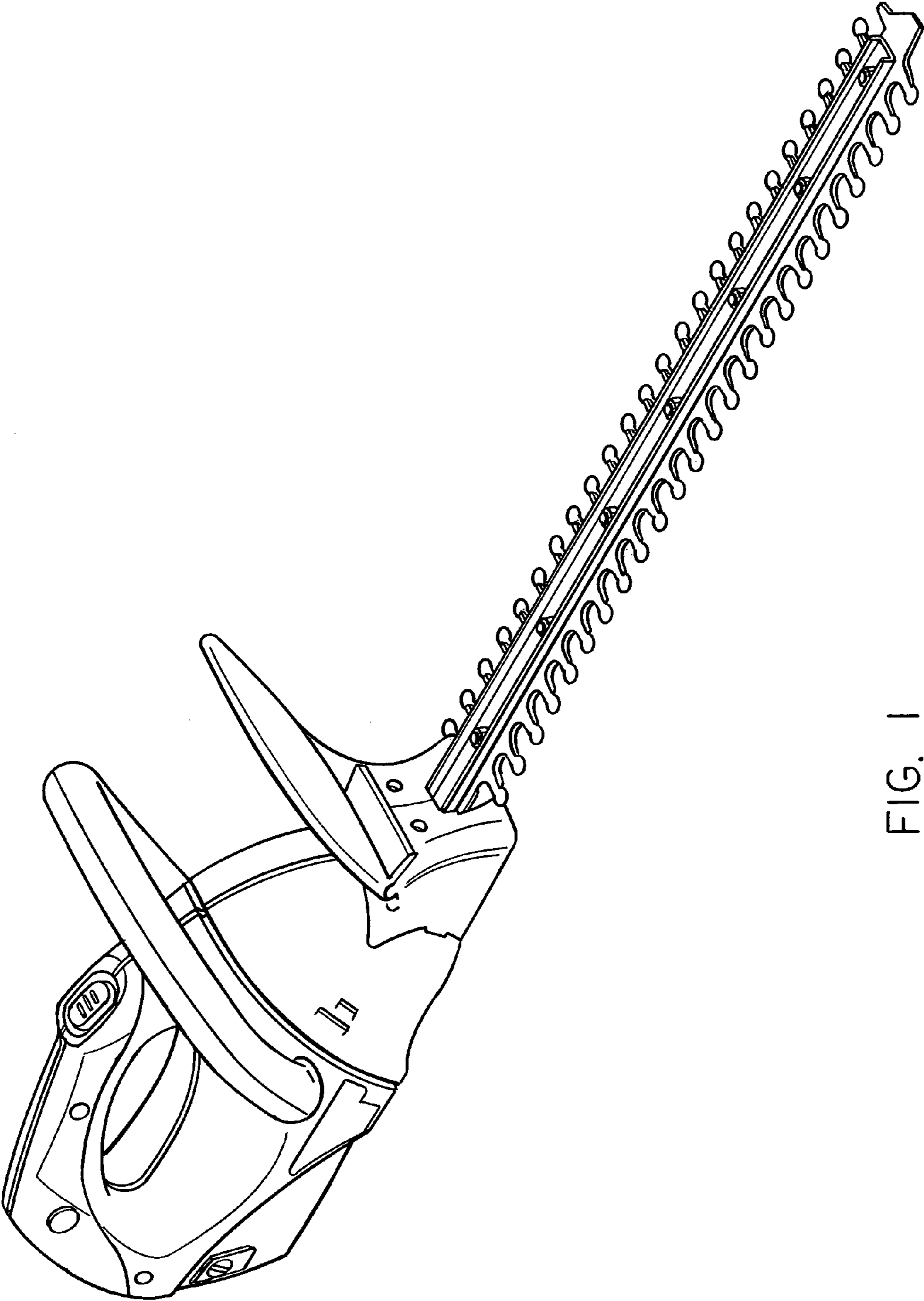


FIG. 1

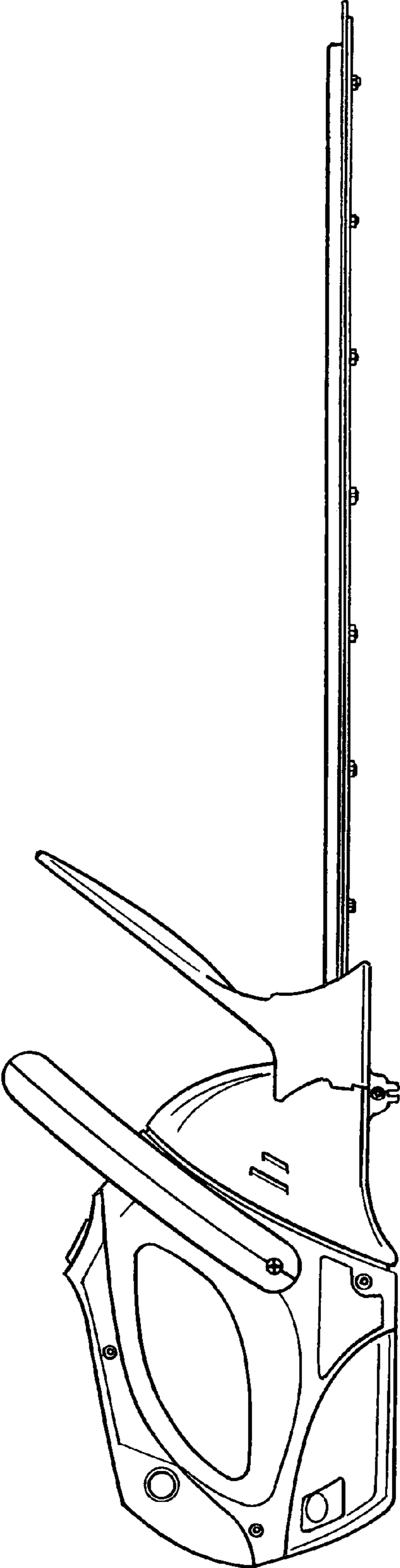


FIG. 2

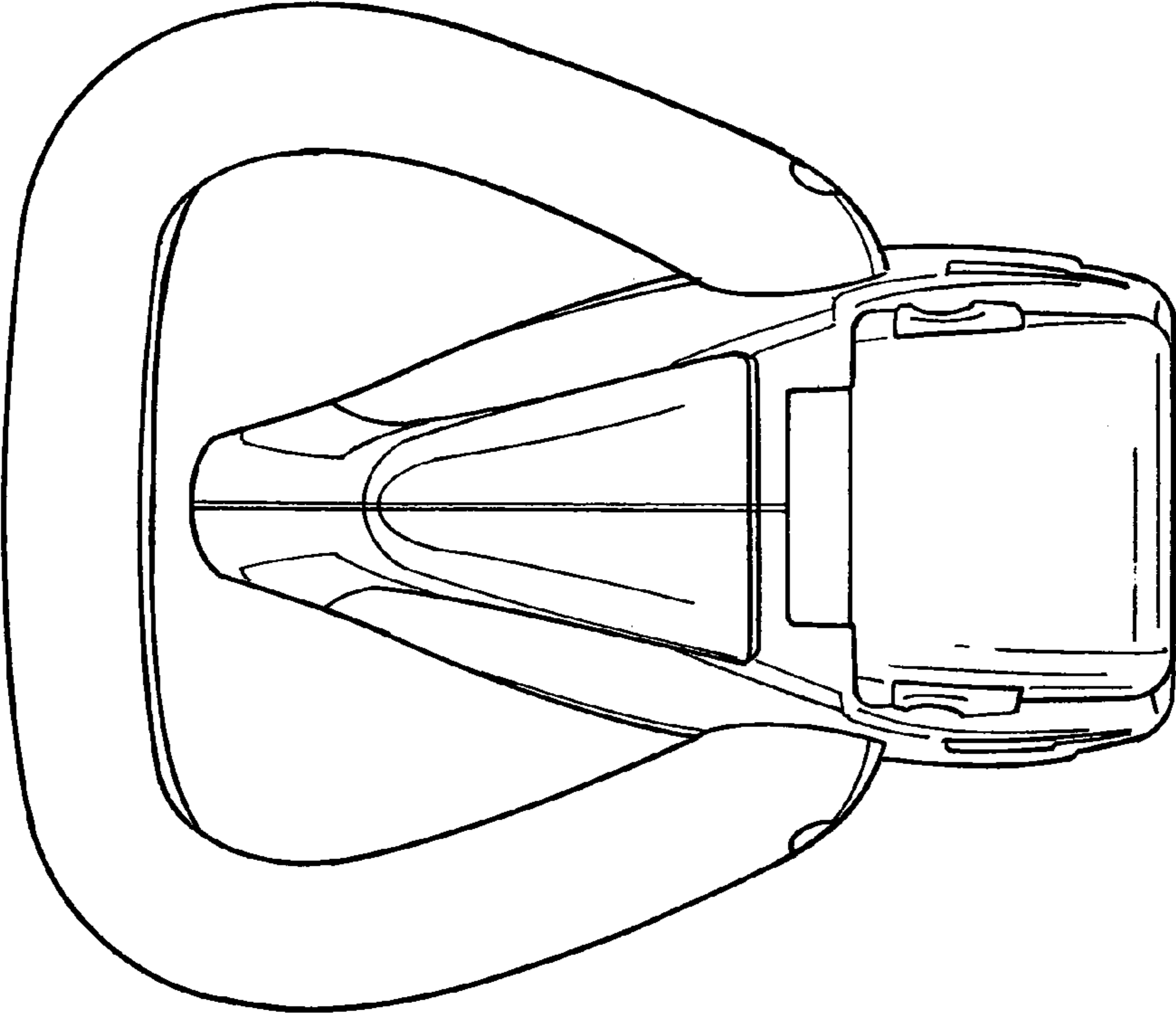


FIG. 3

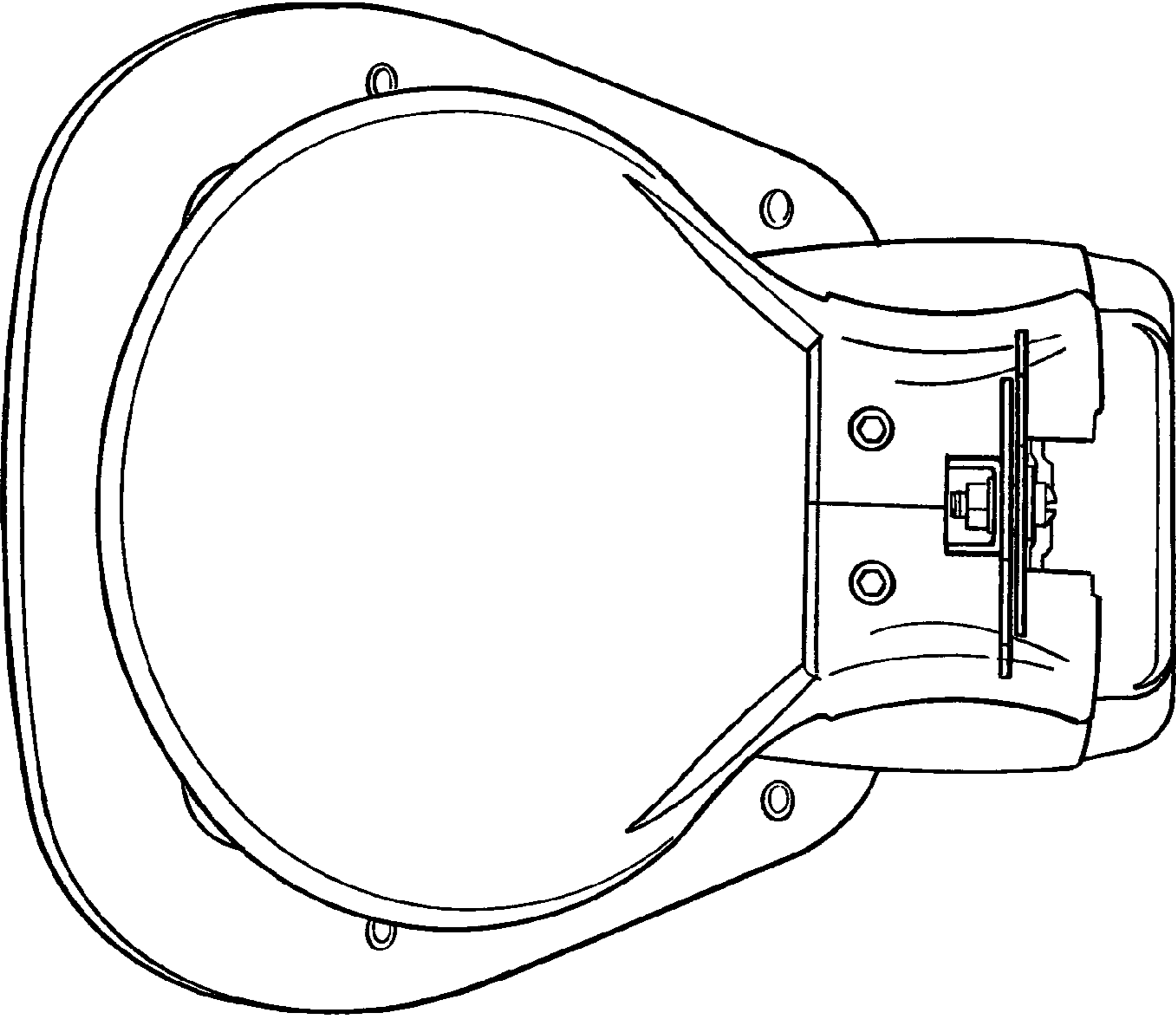


FIG. 4

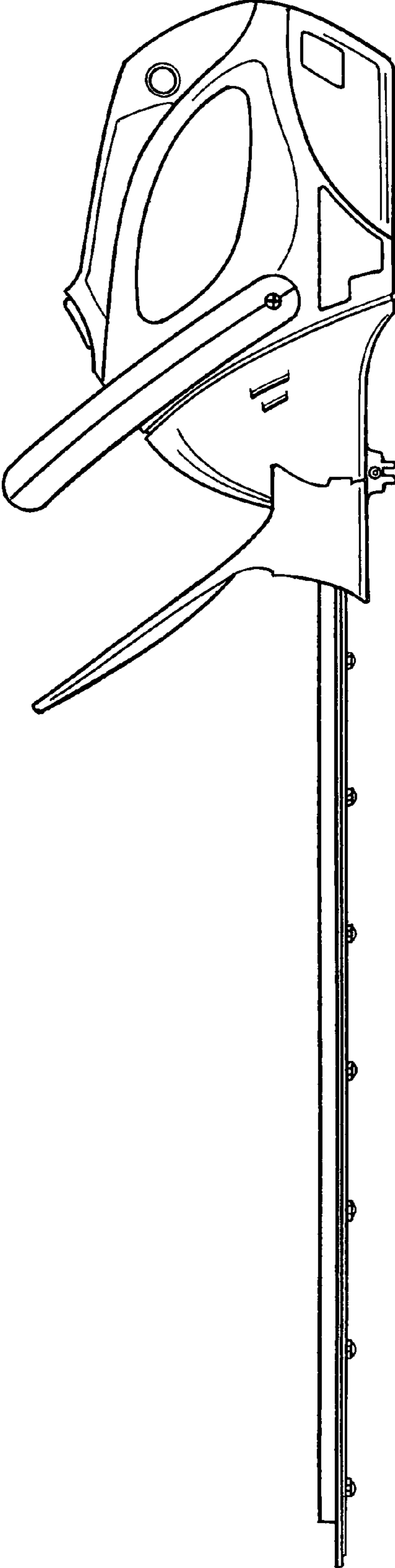


FIG. 5

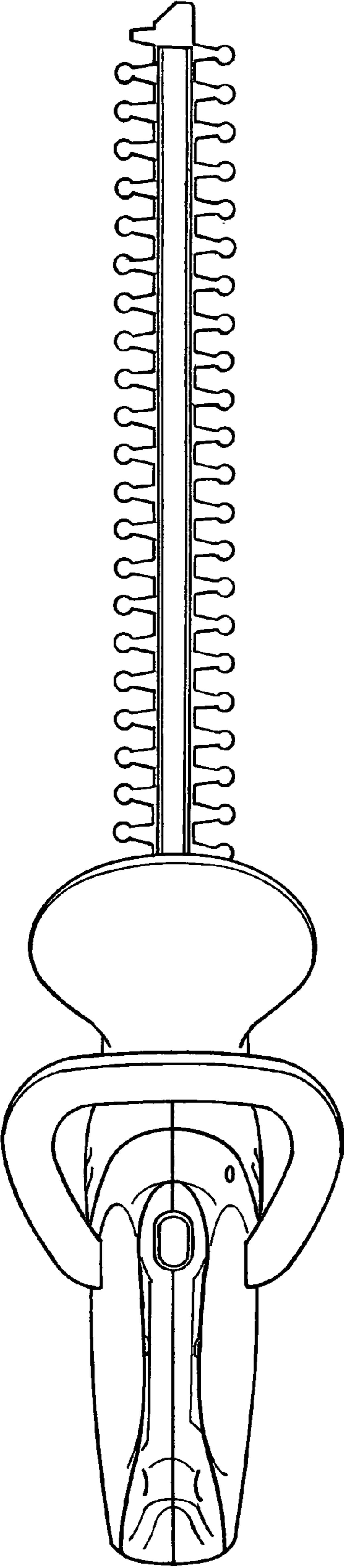


FIG. 6

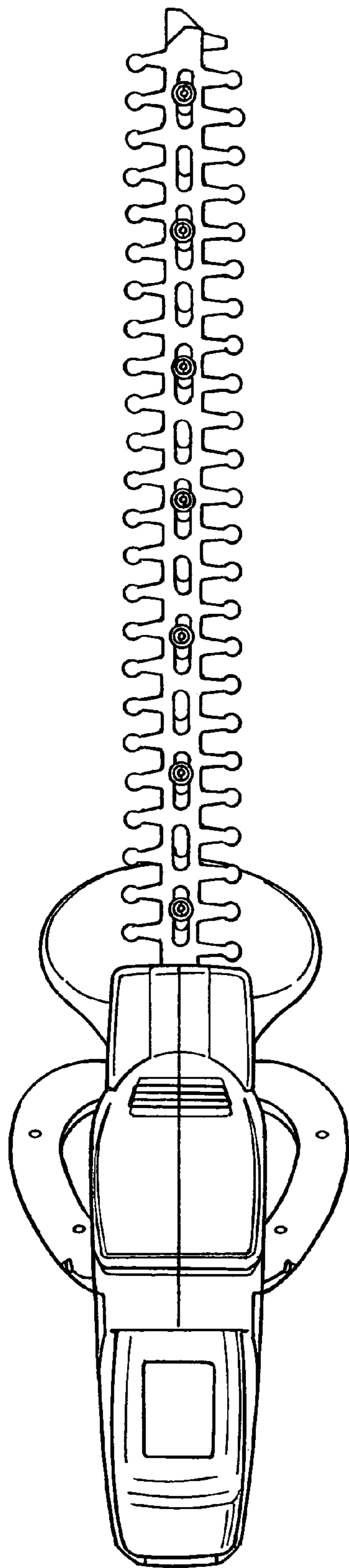


FIG. 7