



US00D582224S

(12) **United States Design Patent**
Bochmann et al.

(10) **Patent No.:** **US D582,224 S**
(45) **Date of Patent:** **** Dec. 9, 2008**

(54) **COMBINED CORDLESS STRING TRIMMER AND EDGER**

D510,512 S * 10/2005 Robson D8/8
6,973,728 B2 * 12/2005 Ellson et al. 30/276
D556,523 S * 12/2007 Nuesink et al. D8/8

(75) Inventors: **Cherry Bochmann**, Bay Village, OH (US); **Erin Riddell**, Bay Village, OH (US)

* cited by examiner

Primary Examiner—Holly H Baynham

Assistant Examiner—Sheryl Lane

(73) Assignee: **Desa IP, LLC**, Miami, FL (US)

(74) *Attorney, Agent, or Firm*—Suiter Swantz pc llo

(**) Term: **14 Years**

(57) **CLAIM**

(21) Appl. No.: **29/280,562**

The ornamental design for a combined cordless string trimmer and edger, as shown and described.

(22) Filed: **May 31, 2007**

DESCRIPTION

(51) **LOC (8) Cl.** **08-01**

FIG. 1 is a perspective view of the combined cordless string trimmer and edger of the present invention;

(52) **U.S. Cl.** **D8/8**

FIG. 2 is a right side view of the design of the present invention;

(58) **Field of Classification Search** D8/8,
D8/9; 30/276, 347; 56/12.7; 172/13, 15,
172/17

See application file for complete search history.

FIG. 3 is a left side view of the design of the present invention;

FIG. 4 is a top view of the design of the present invention;

FIG. 5 is a bottom view of the design of the present invention;

FIG. 6 is a front view of the design of the present invention;

and,

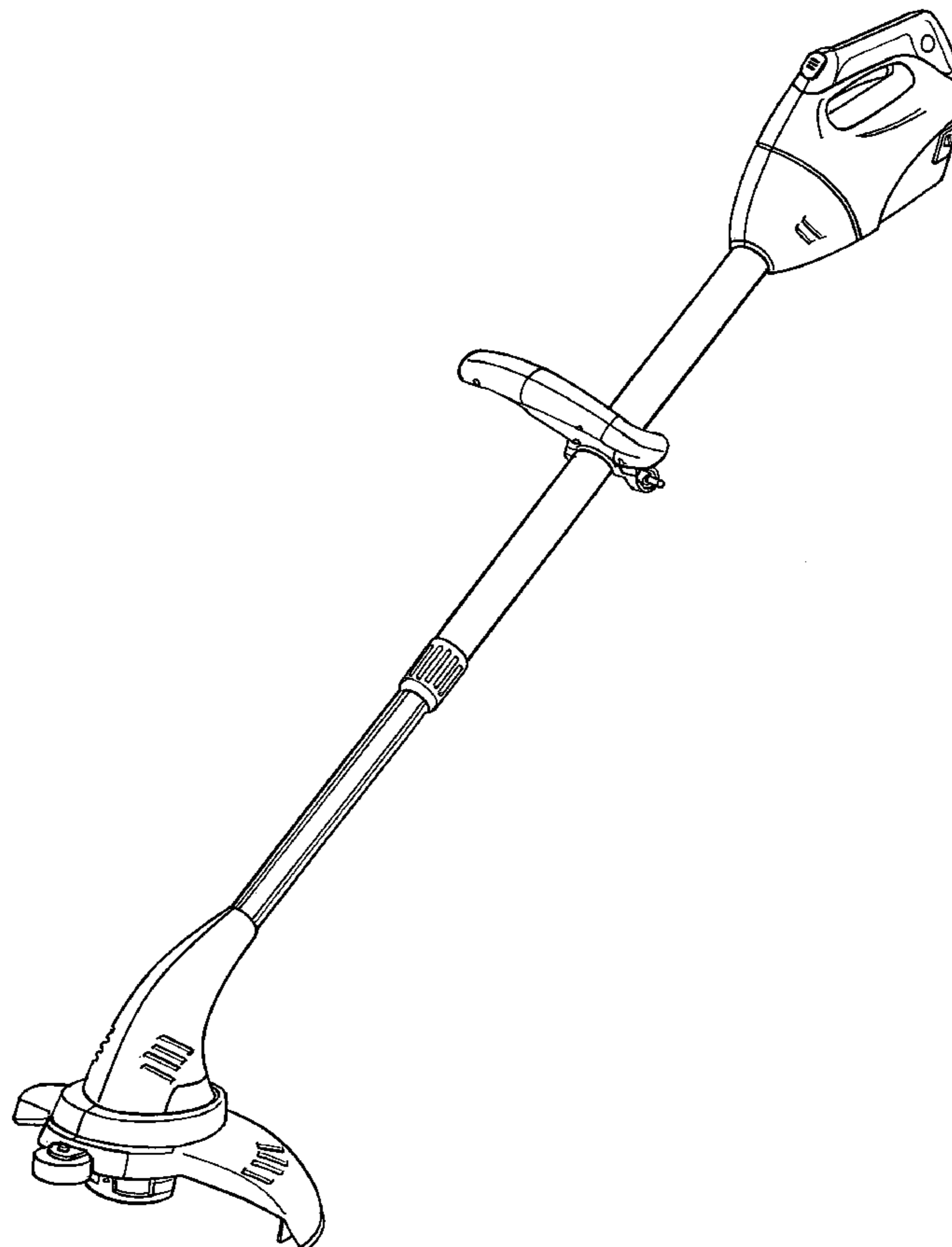
FIG. 7 is a rear view of the design of the present invention.

(56) **References Cited**

U.S. PATENT DOCUMENTS

6,052,976 A * 4/2000 Cellini et al. 56/17.4
6,116,349 A * 9/2000 Wilson 172/14
D446,699 S * 8/2001 Marshall et al. D8/8
D483,236 S * 12/2003 Martin et al. D8/8
6,742,263 B2 * 6/2004 Ellson et al. 30/276

1 Claim, 7 Drawing Sheets



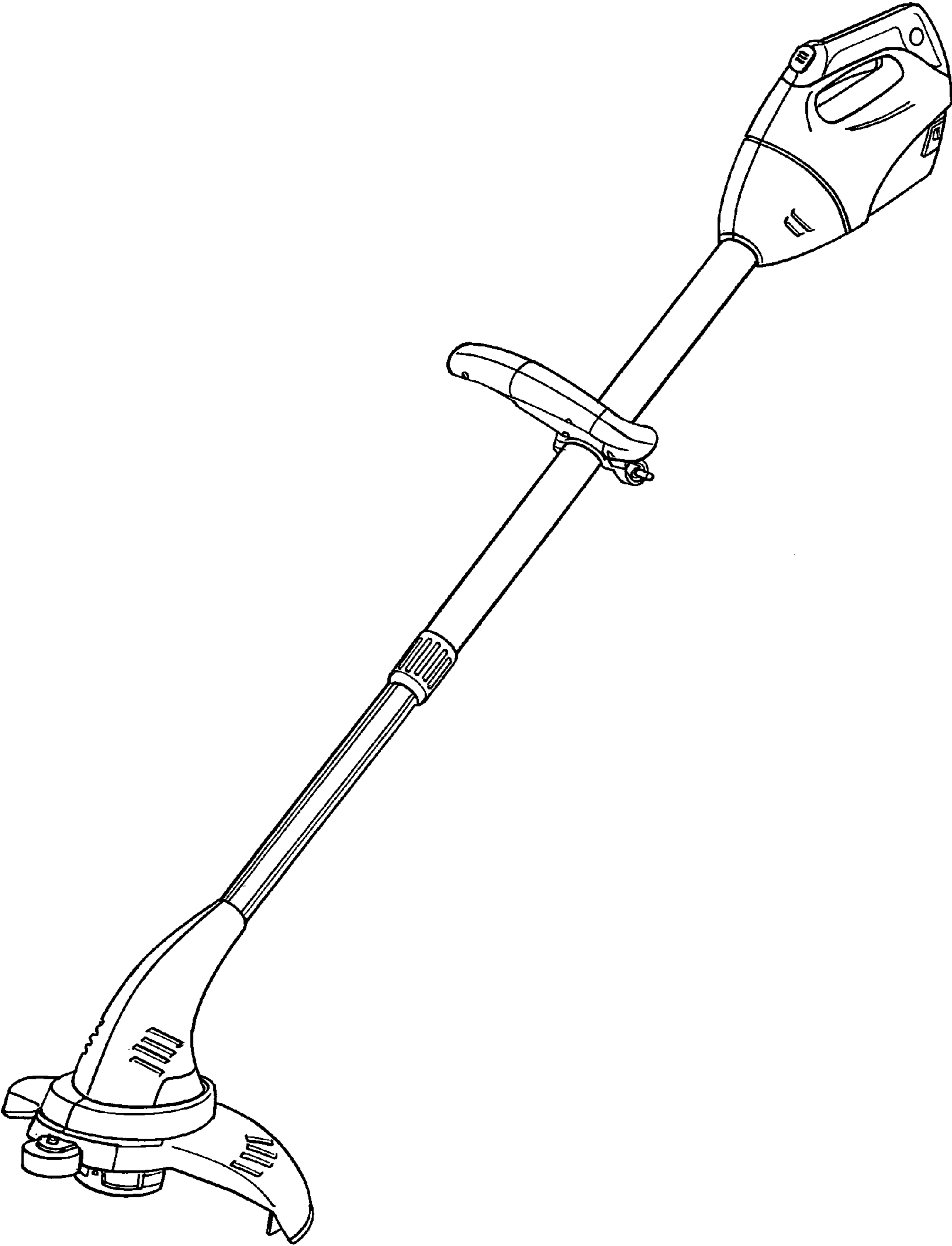


FIG. 1

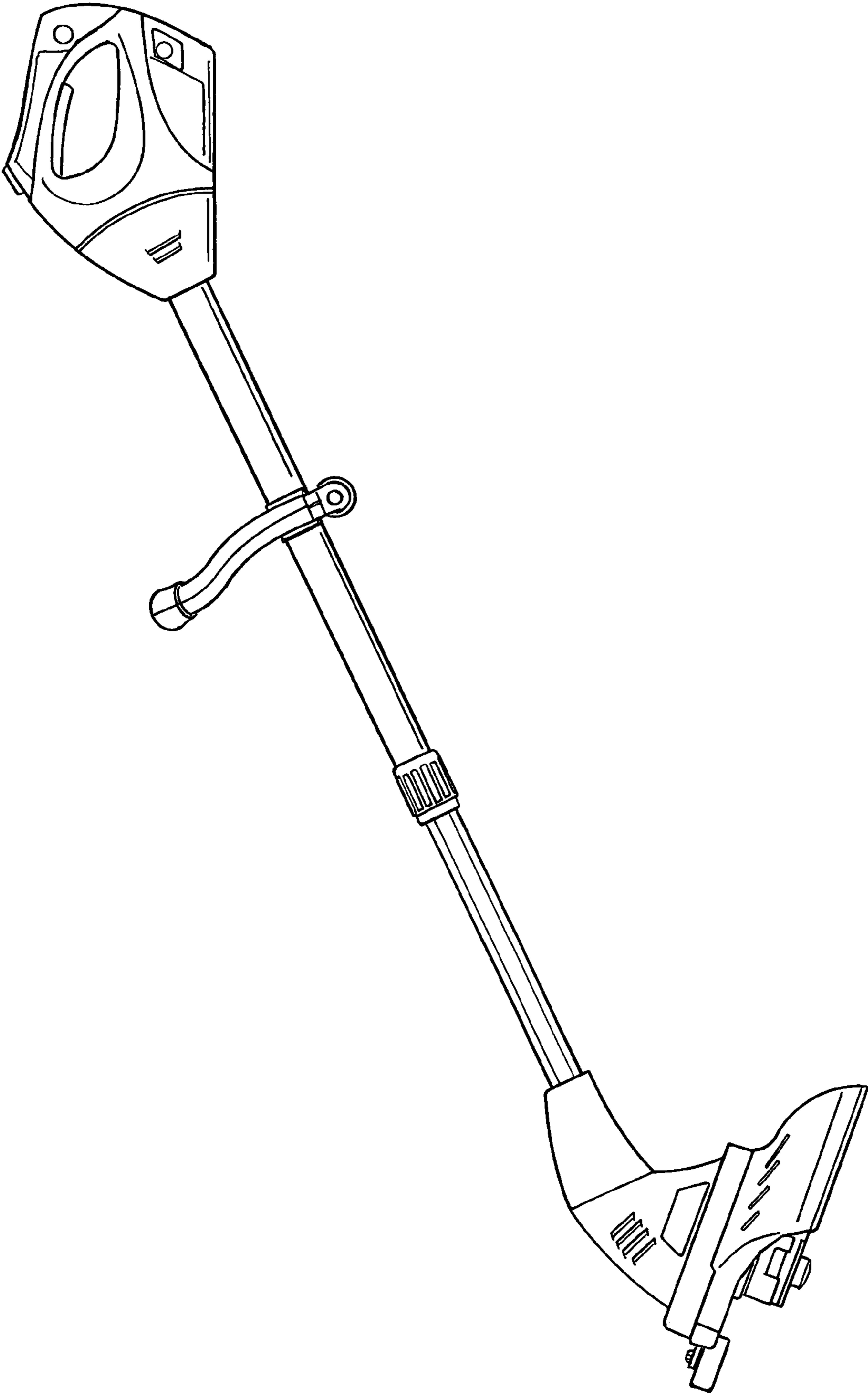


FIG. 2

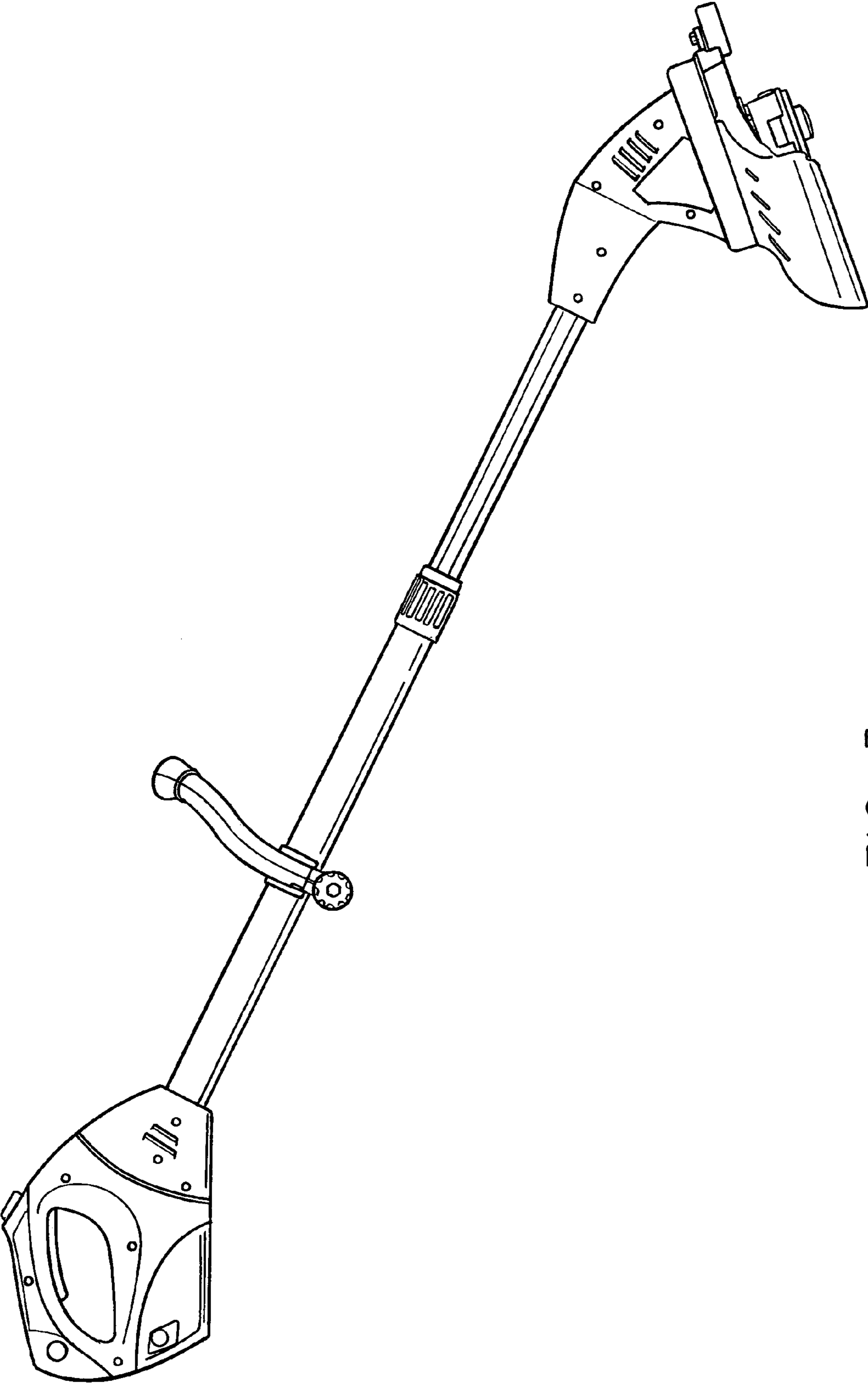


FIG. 3

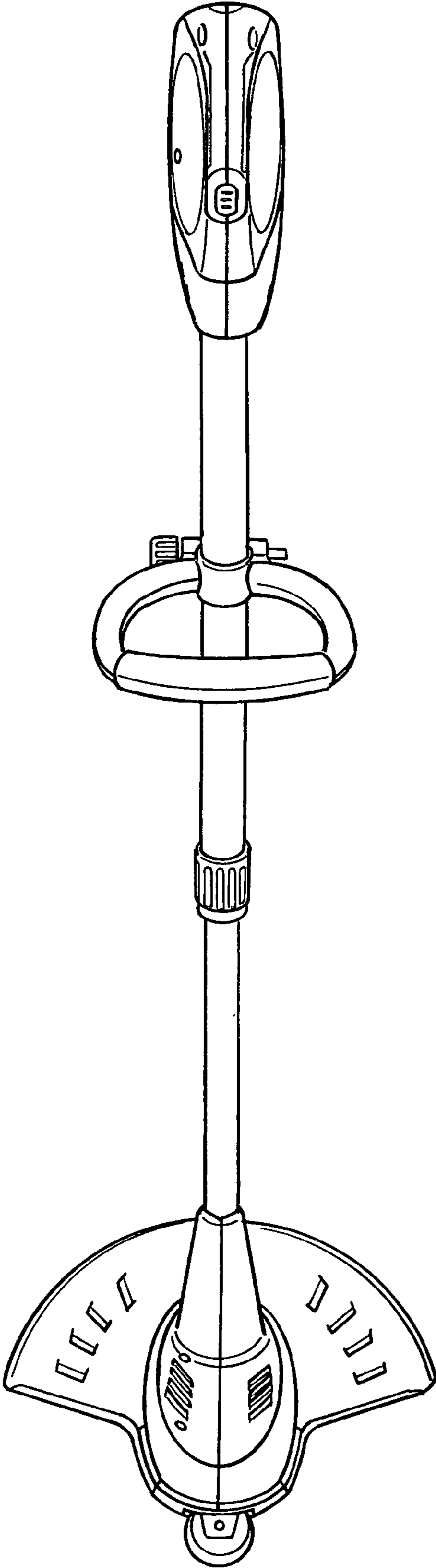


FIG. 4

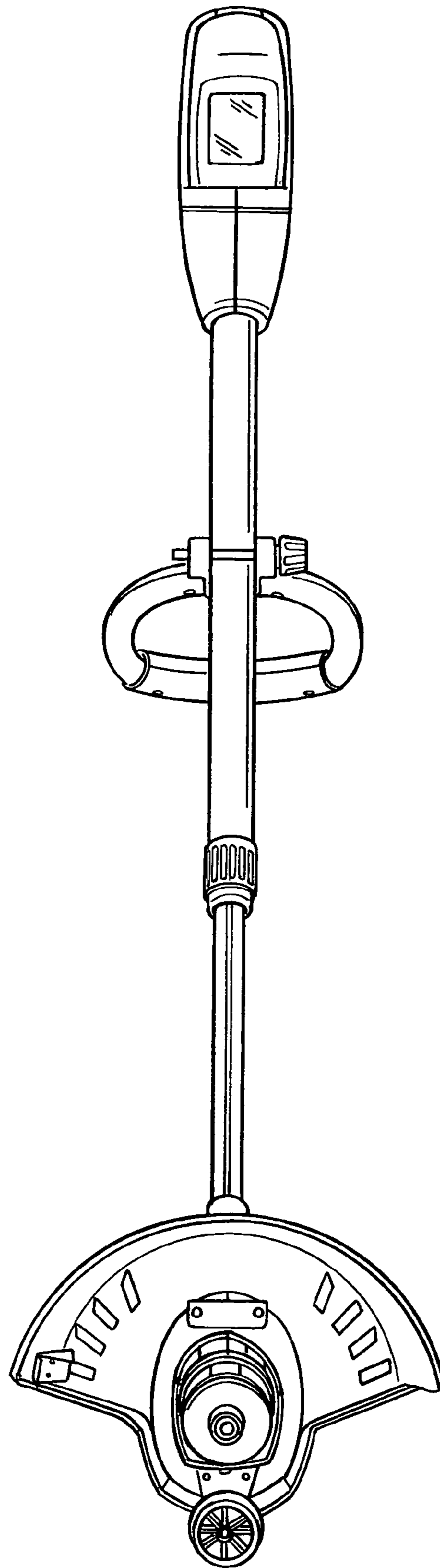


FIG. 5

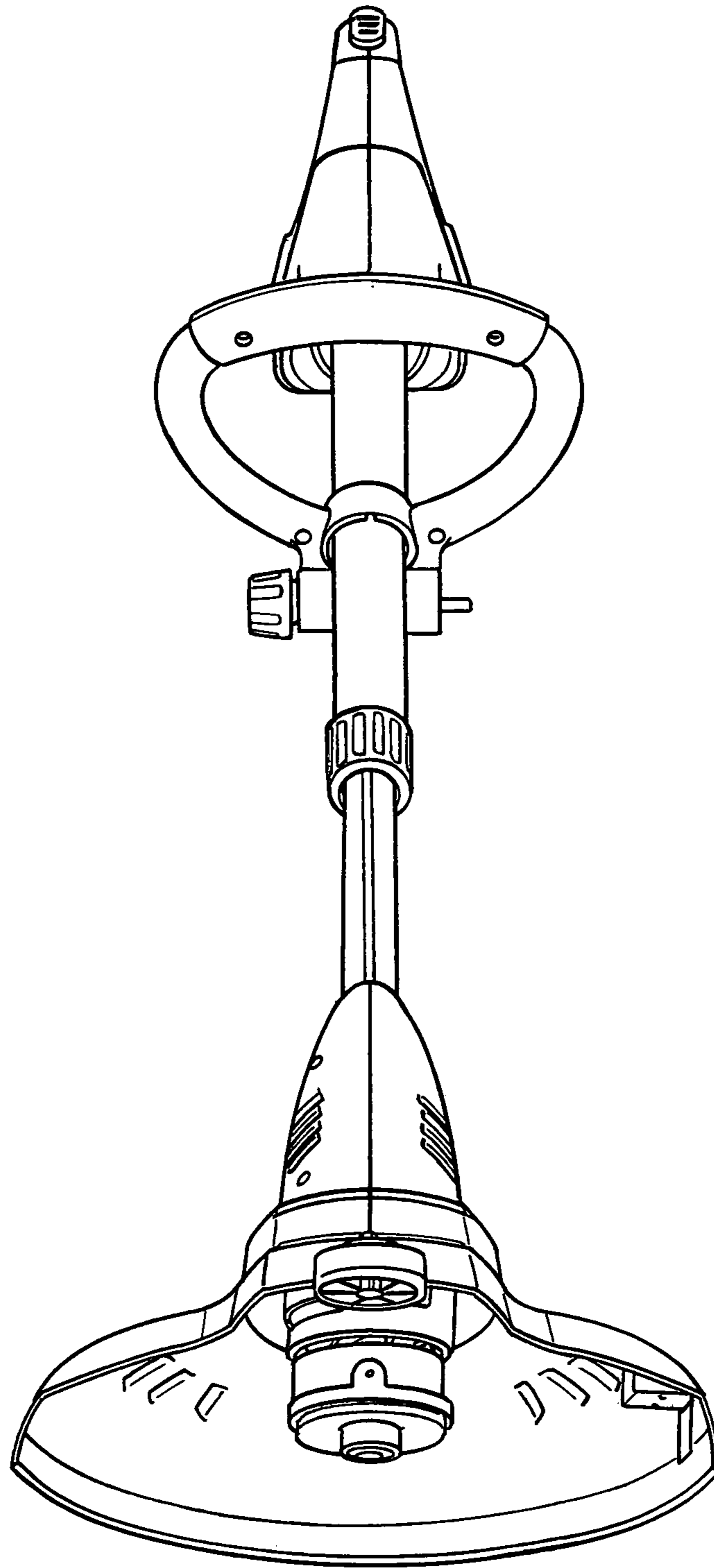


FIG. 6

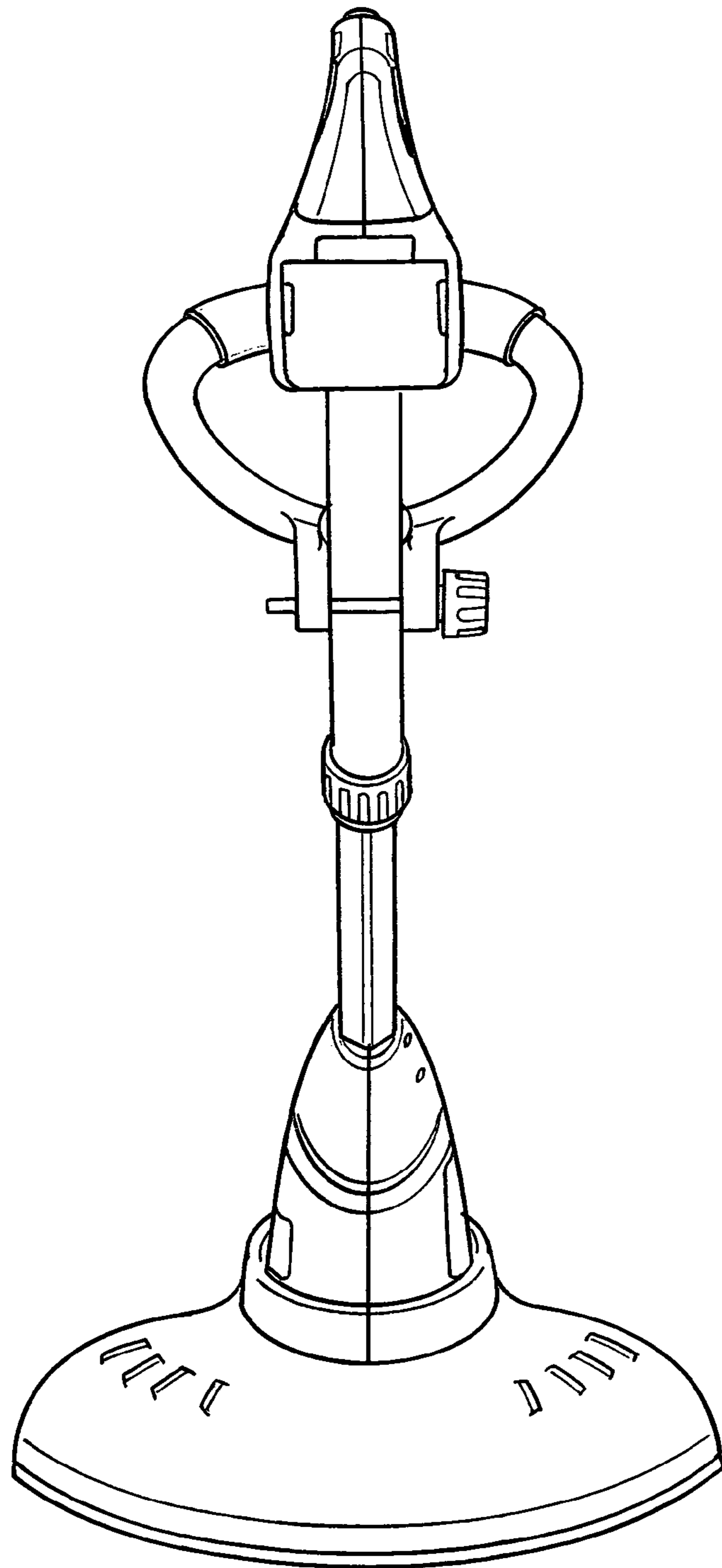


FIG. 7