



US00D582223S

(12) **United States Design Patent**
Vendl et al.

(10) **Patent No.:** **US D582,223 S**
(45) **Date of Patent:** **** Dec. 9, 2008**

(54) **WHISK**

(75) Inventors: **Lynn Vendl**, Woodridge, IL (US); **Lou Henry**, New York, NY (US); **Melanie Conklin**, Brooklyn, NY (US); **Charlie Paradise**, New York, NY (US)

(73) Assignee: **Wilton Industries, Inc.**, Woodridge, IL (US)

(**) Term: **14 Years**

(21) Appl. No.: **29/283,731**

(22) Filed: **Aug. 22, 2007**

(51) **LOC (8) Cl.** **07-02**

(52) **U.S. Cl.** **D7/690**

(58) **Field of Classification Search** D7/682-696,
D7/376, 379, 380; 366/342-344, 129, 130;
416/69, 70 R, 71, 72, 227 R

See application file for complete search history.

(56) **References Cited**

U.S. PATENT DOCUMENTS

2,208,337 A * 7/1940 Maslow 416/70 R
3,412,983 A * 11/1968 Kesilman et al. 416/70 R

4,735,510 A * 4/1988 Barbour et al. 366/343
6,257,752 B1 * 7/2001 Browne 366/129
D480,612 S * 10/2003 Schulein D7/690
D541,601 S * 5/2007 Fung D7/690
D542,102 S * 5/2007 Cheung D7/690

* cited by examiner

Primary Examiner—Terry A Wallace

(74) *Attorney, Agent, or Firm*—DLA Piper LLP (US);
Jennifer E. Lacroix

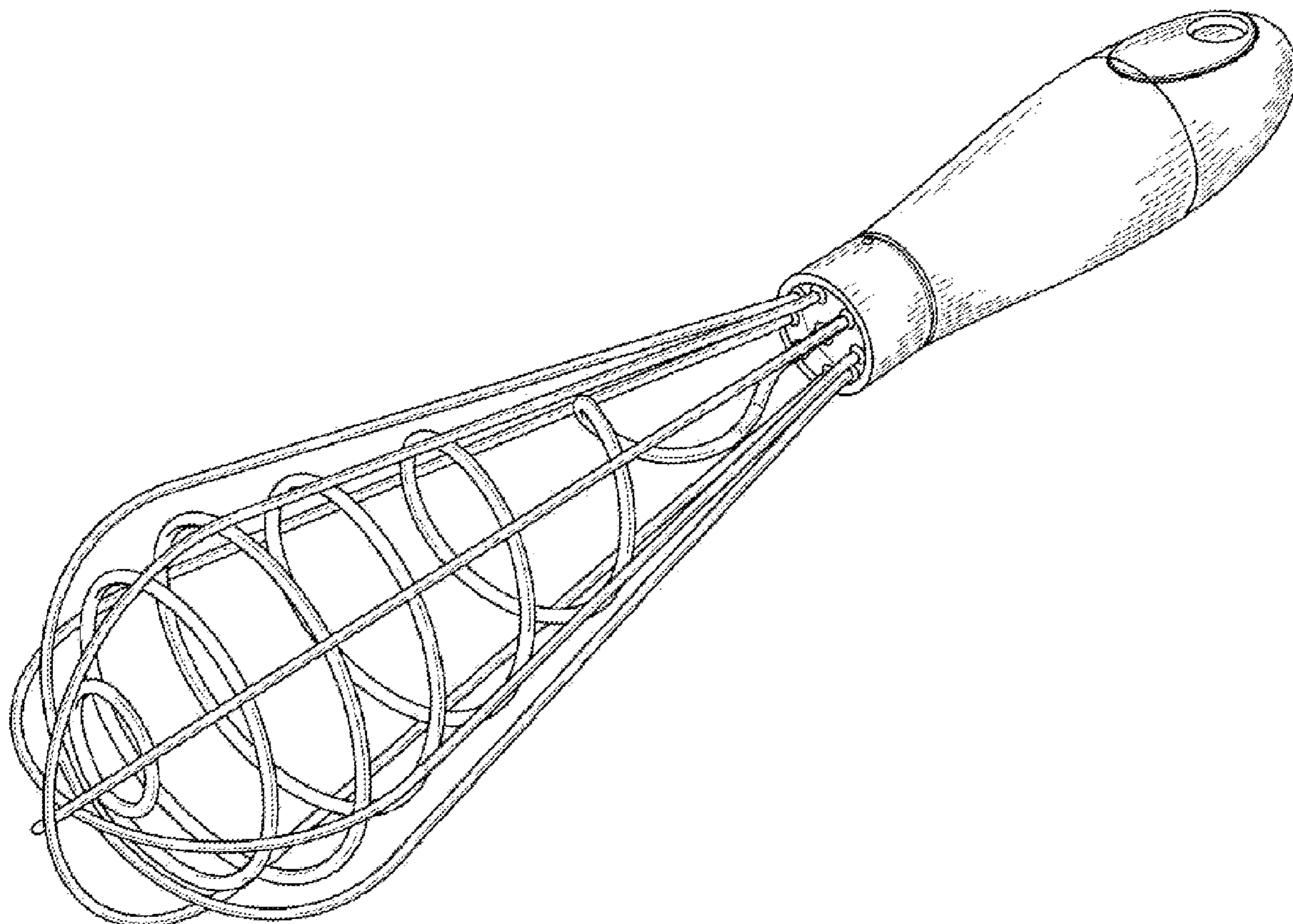
(57) **CLAIM**

The ornamental design for a whisk, as shown and described.

DESCRIPTION

FIG. 1 is a perspective view of the whisk;
FIG. 2 is a front elevational view of the whisk;
FIG. 3 is a rear elevational view of the whisk;
FIG. 4 is a side elevational view of the whisk, the opposite side of which is an identical mirror image;
FIG. 5 is a top plan view of the whisk; and,
FIG. 6 is a bottom plan view of the whisk.

1 Claim, 3 Drawing Sheets



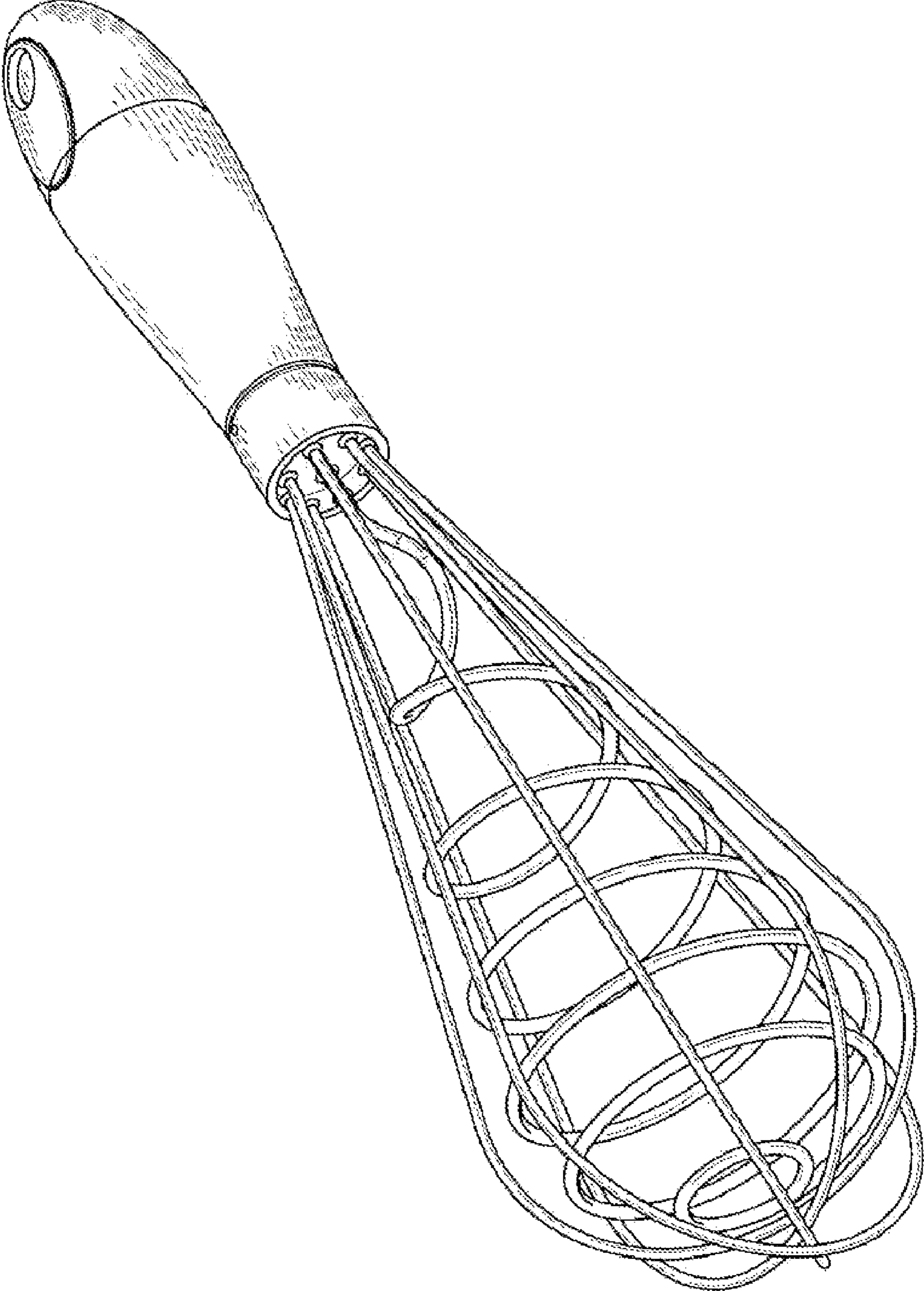


FIG. 1

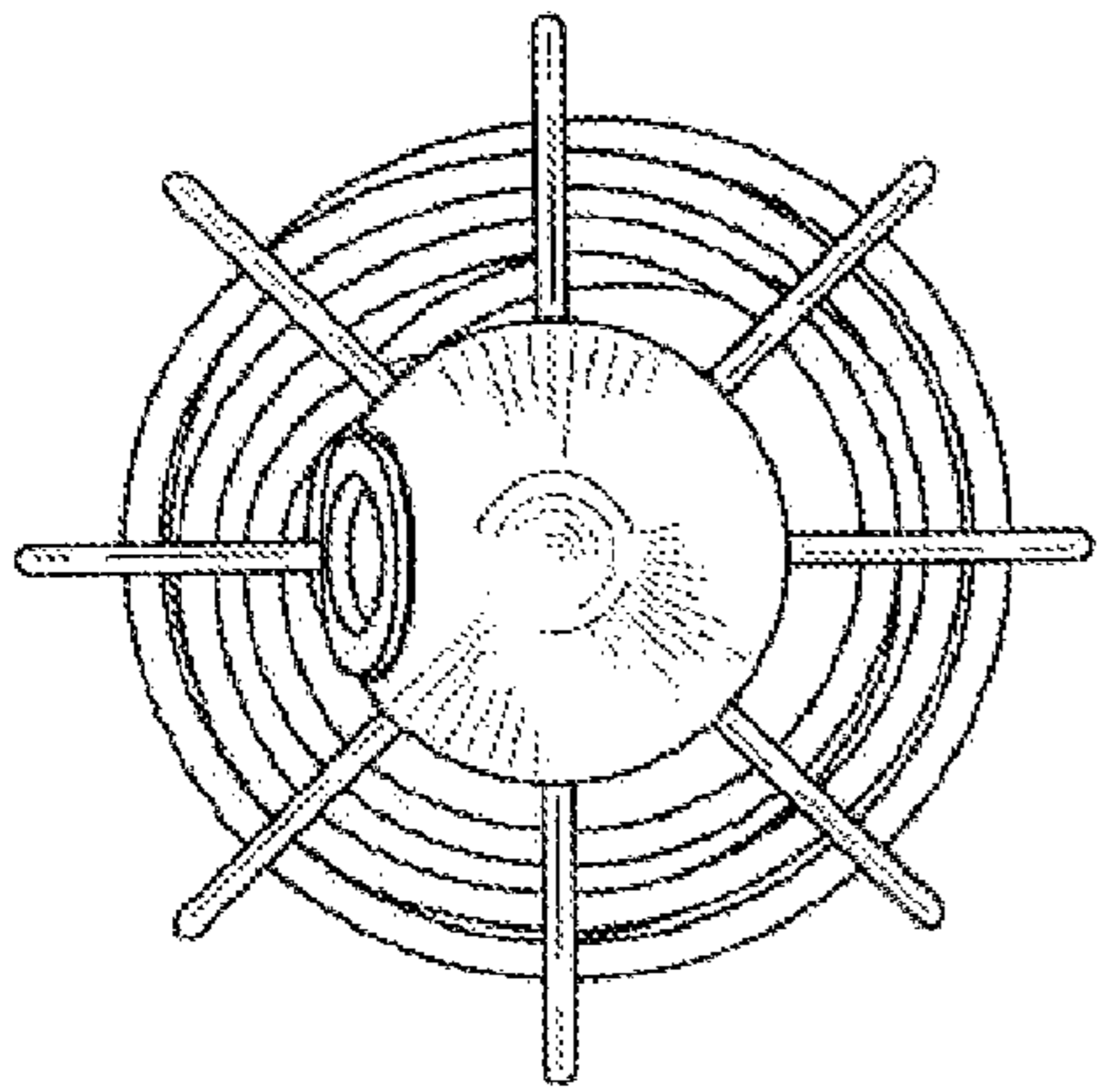


FIG. 3

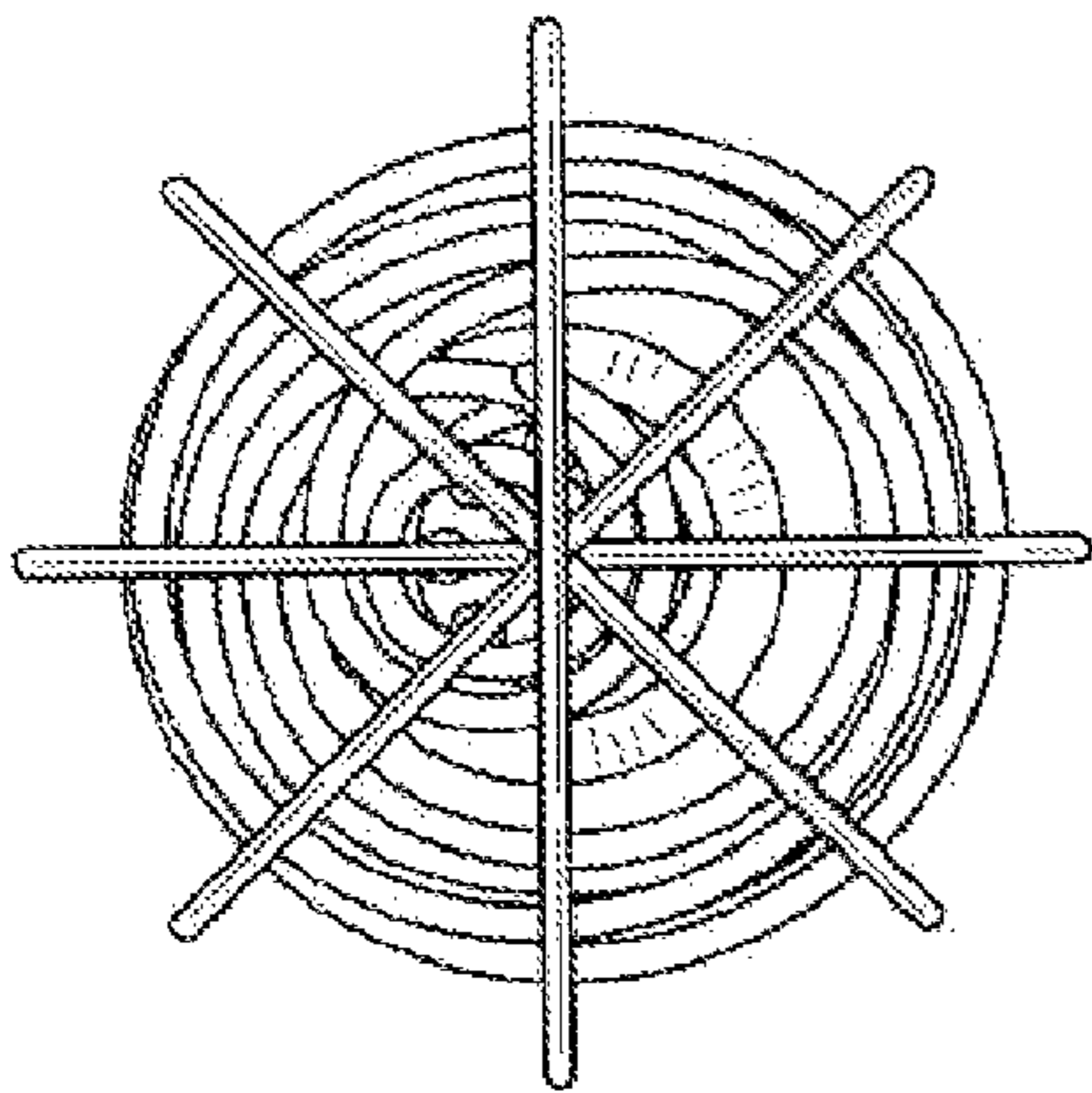


FIG. 2

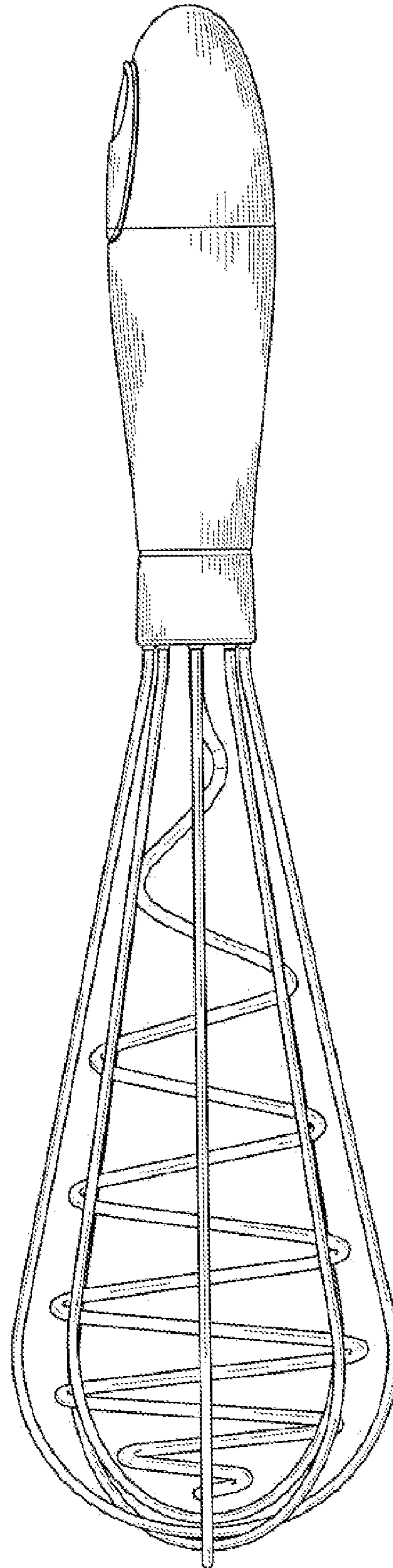


FIG. 4

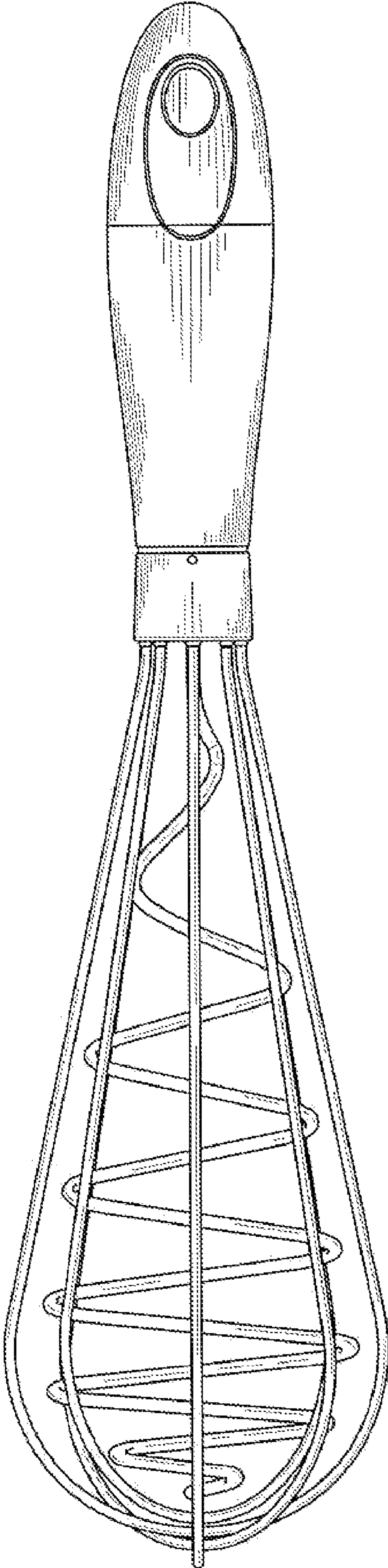


FIG. 5

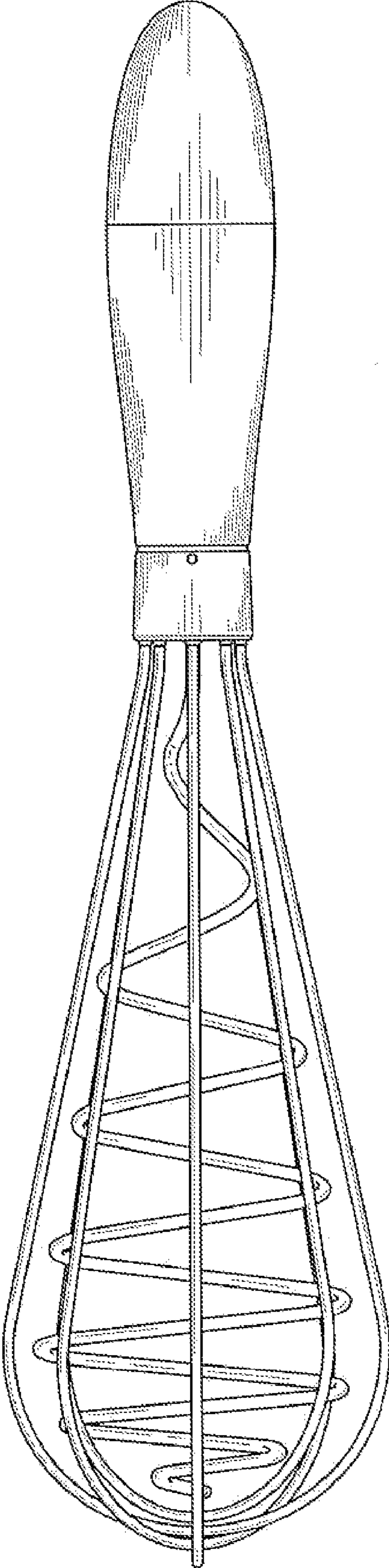


FIG. 6