



US00D582221S

(12) **United States Design Patent**  
**Vendl**

(10) **Patent No.:** **US D582,221 S**

(45) **Date of Patent:** **\*\* Dec. 9, 2008**

(54) **BEAR STACKABLE COOKIE CUTTER SET**

5,933,968 A \* 8/1999 Solomon ..... 30/315

\* cited by examiner

(75) Inventor: **Lynn Vendl**, Woodridge, IL (US)

*Primary Examiner*—Terry A Wallace

(73) Assignee: **Wilton Industries, Inc.**, Woodridge, IL (US)

(74) *Attorney, Agent, or Firm*—DLA Piper LLP (US); Jennifer E. Lacroix

(\*\*) Term: **14 Years**

(57) **CLAIM**

(21) Appl. No.: **29/318,223**

The ornamental design for a bear stackable cookie cutter set, as shown and described.

(22) Filed: **May 15, 2008**

**DESCRIPTION**

(51) **LOC (8) Cl.** ..... **07-04**

FIG. 1 is a perspective view of the bear stackable cookie cutter set;

(52) **U.S. Cl.** ..... **D7/675**

(58) **Field of Classification Search** ..... D7/675, D7/676, 354, 357; D1/106, 107; 30/314-316, 30/299, 301

FIG. 2 is a left side elevational view of the bear stackable cookie cutter set, the right side elevational view being a mirror image thereof;

See application file for complete search history.

FIG. 3 is a top plan view of the bear stackable cookie cutter set;

(56) **References Cited**

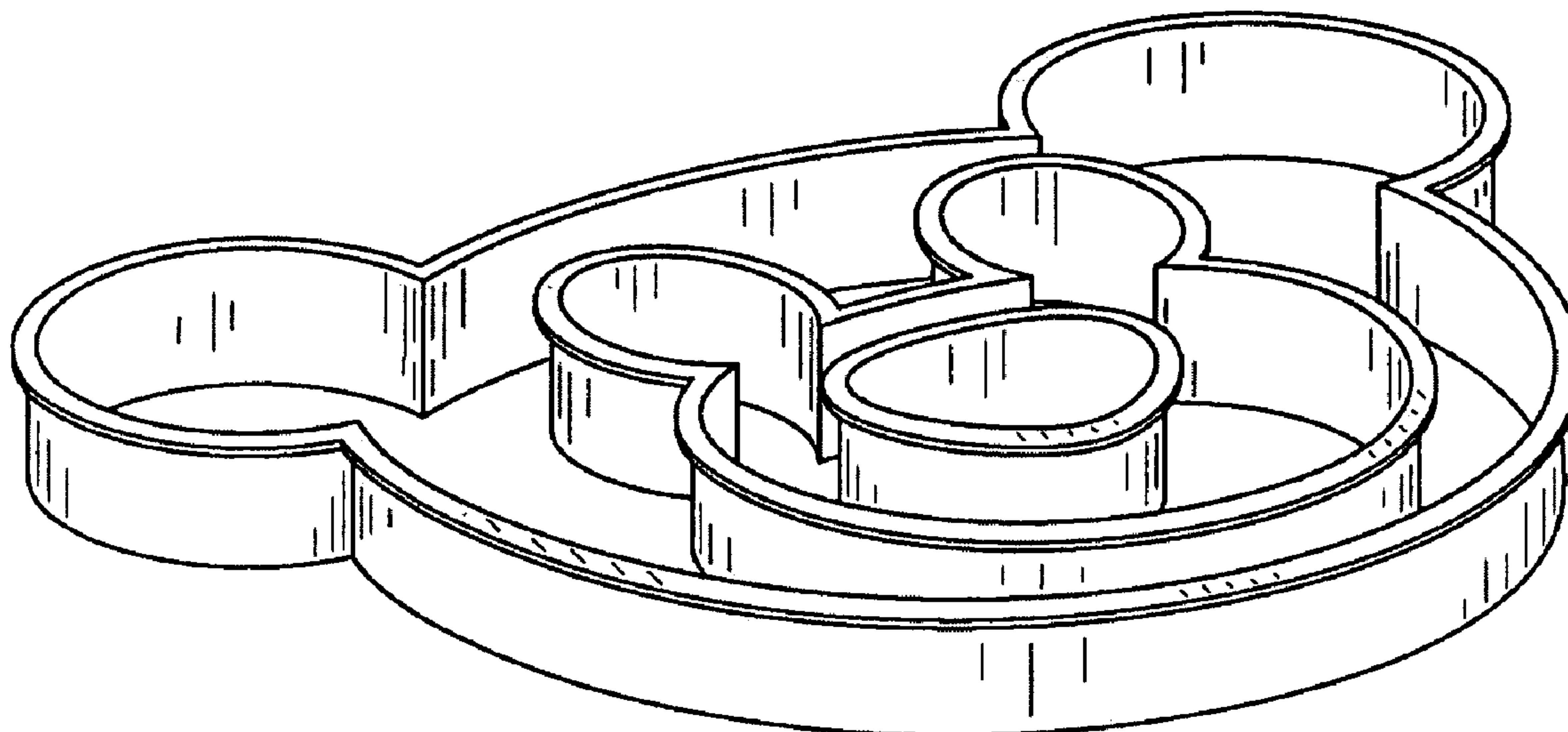
**U.S. PATENT DOCUMENTS**

2,612,123	A *	9/1952	Nord	.....	30/316
2,754,587	A *	7/1956	Bylkas	.....	30/301
4,327,489	A *	5/1982	Conrad	.....	30/299
D282,893	S *	3/1986	Daenen	.....	D7/676
5,921,153	A *	7/1999	Barnett	.....	30/315

FIG. 4 is a bottom plan view of the bear stackable cookie cutter set; and,

FIG. 5 is an exploded view of the bear stackable cookie cutter set.

**1 Claim, 4 Drawing Sheets**



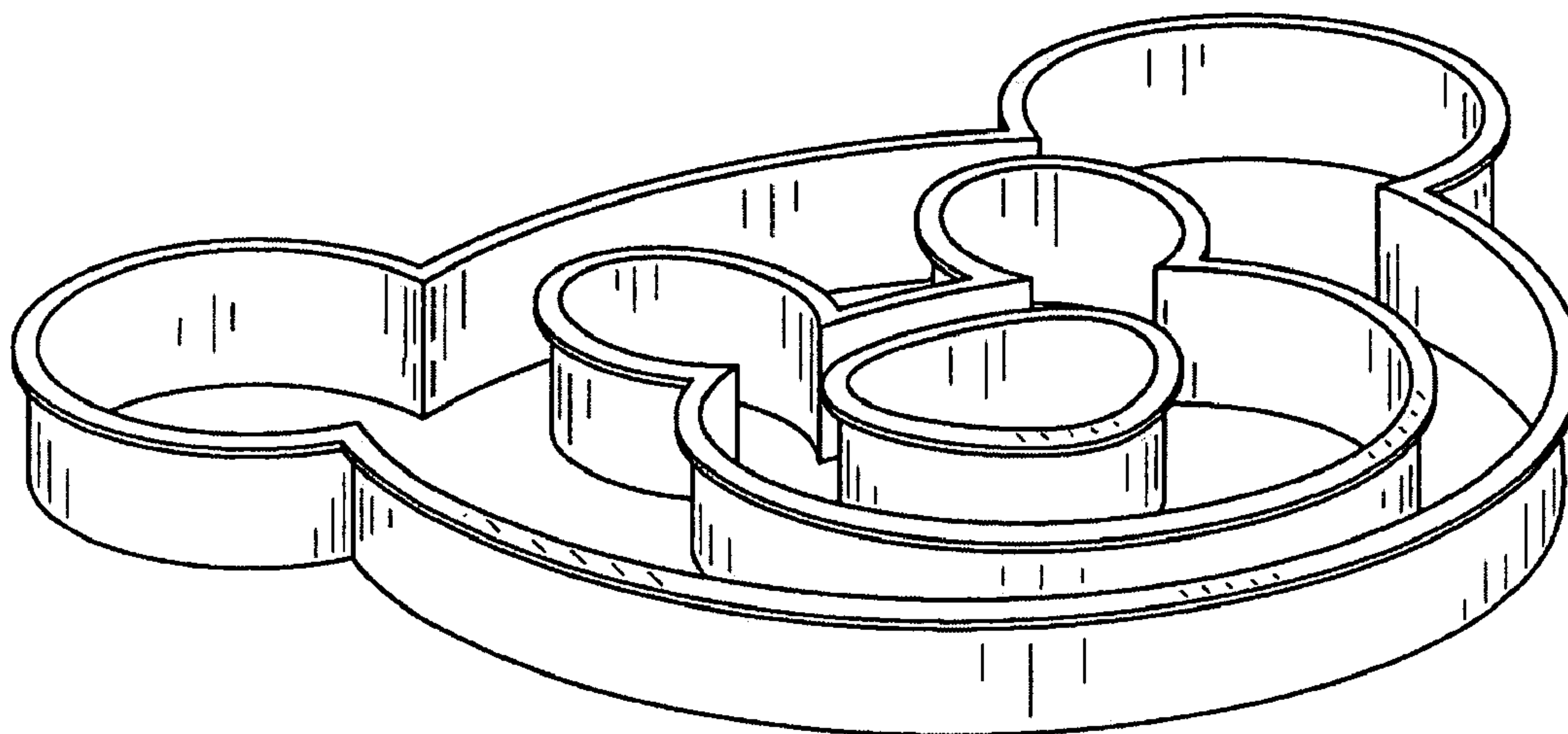


FIG. 1

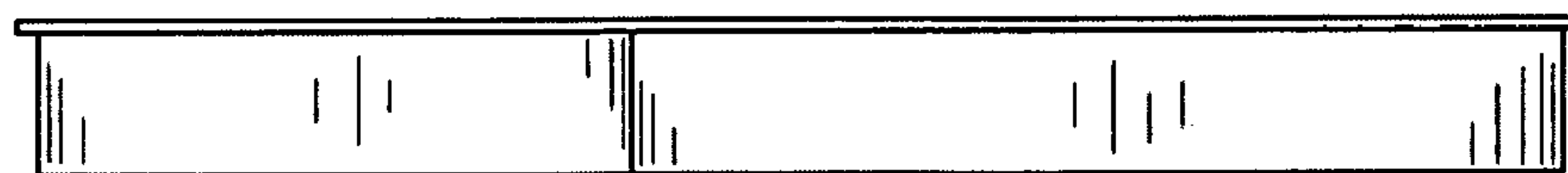


FIG. 2

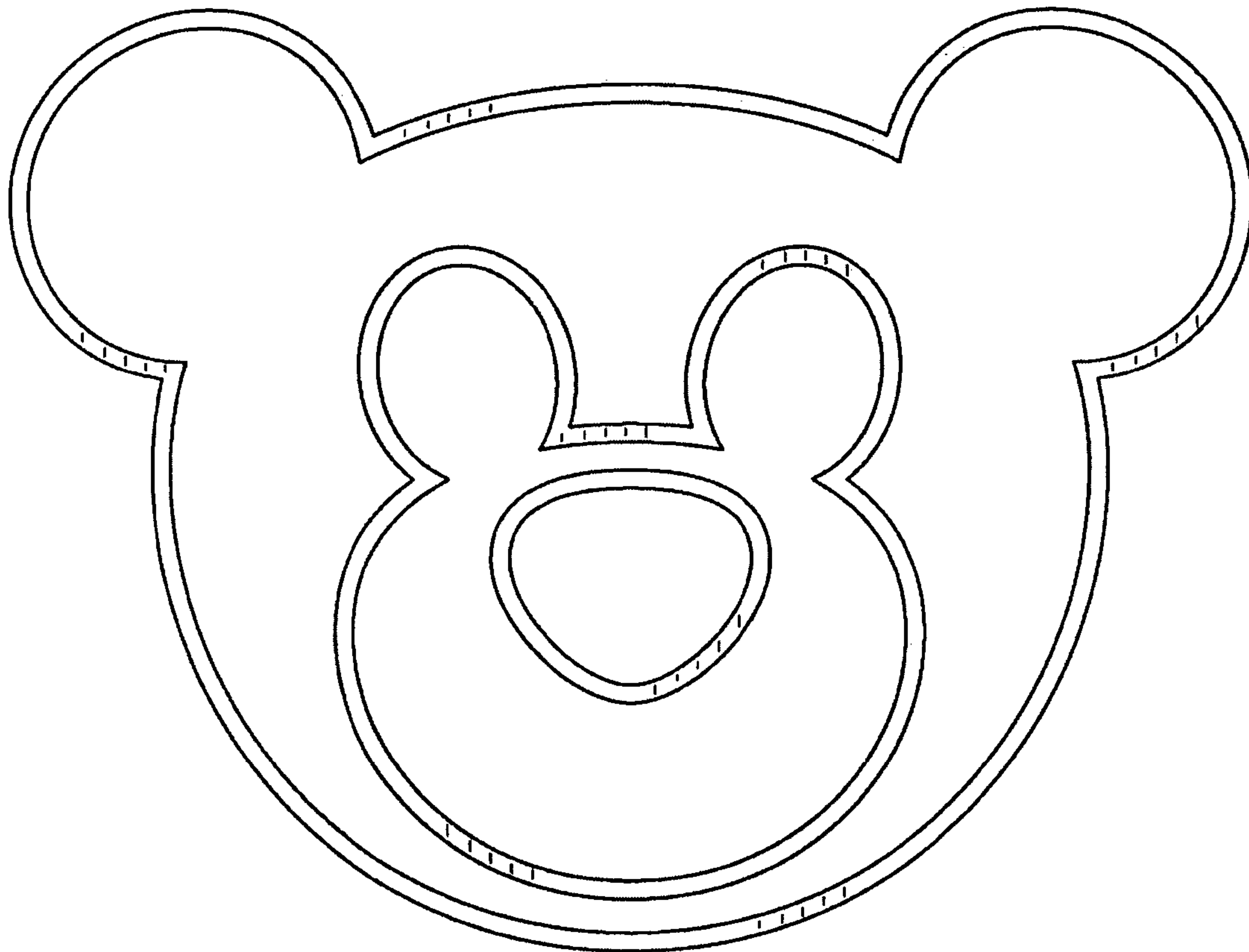


FIG. 3

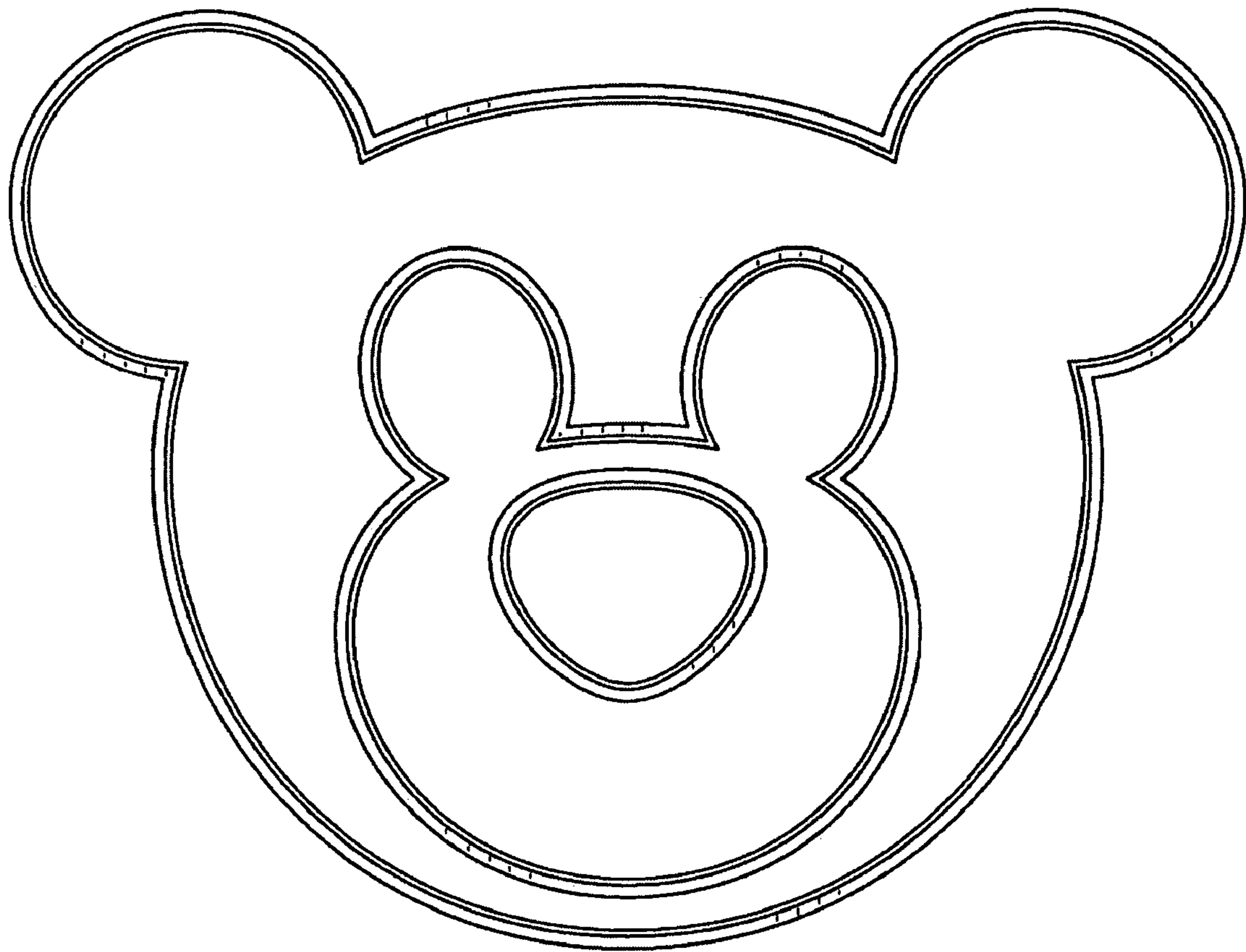


FIG. 4

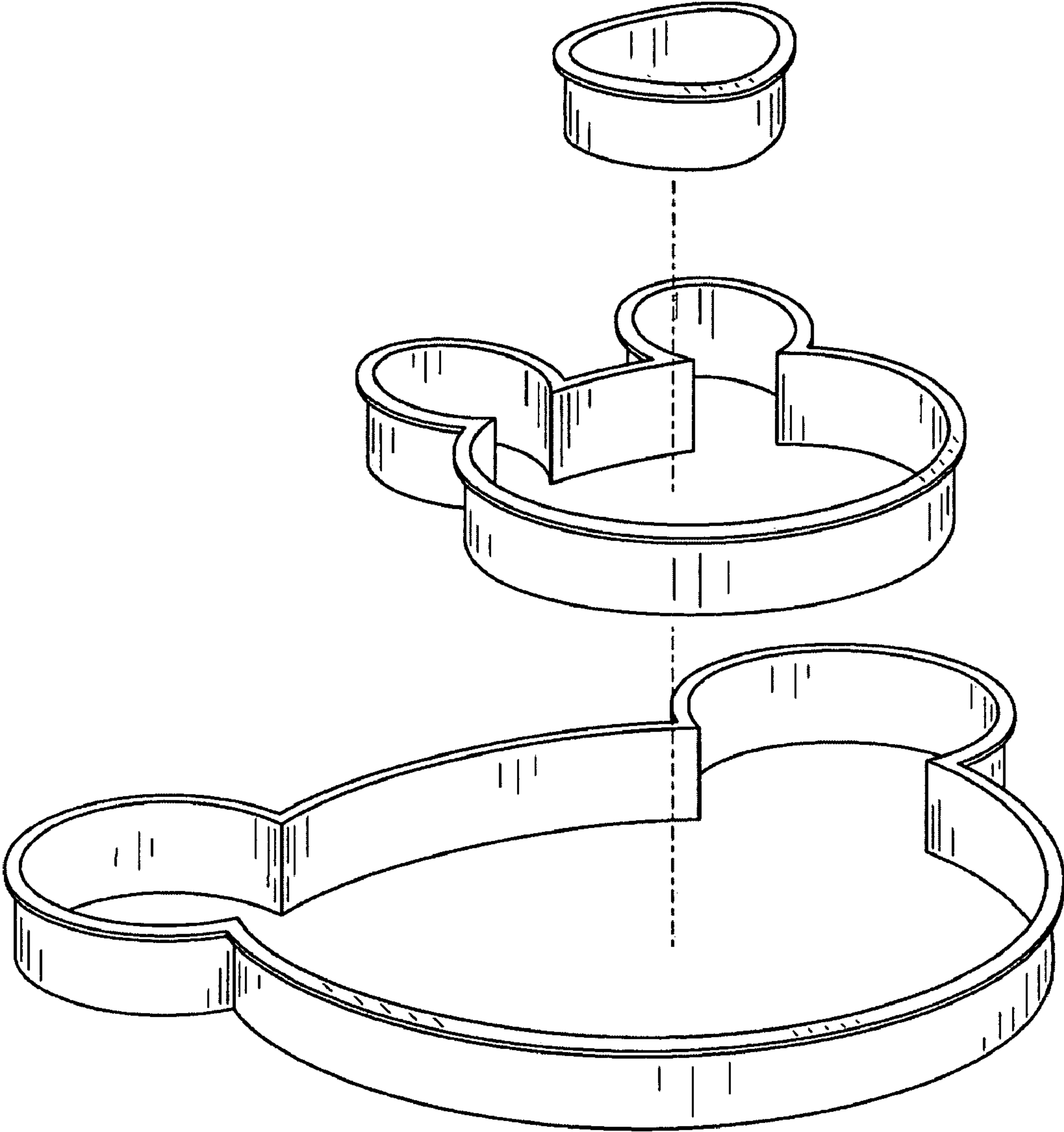


FIG. 5