



US00D582220S

(12) **United States Design Patent**  
**Farnum et al.**

(10) **Patent No.:** **US D582,220 S**  
(45) **Date of Patent:** **\*\* Dec. 9, 2008**

- (54) **FOOD SLICER**
- (75) Inventors: **Ronald C. Farnum**, Glen Ellyn, IL (US); **Christopher T. Boyer**, Oak Park, IL (US)
- (73) Assignee: **AMCO Houseworks, LLC**, Vernon Hills, IL (US)
- (\*\*) Term: **14 Years**
- (21) Appl. No.: **29/318,374**
- (22) Filed: **May 19, 2008**
- (51) **LOC (8) Cl.** ..... **07-04**
- (52) **U.S. Cl.** ..... **D7/672**
- (58) **Field of Classification Search** ..... D7/672-677, D7/693, 695, 665-668; 30/114, 117, 130, 30/299, 337, 123.5, 123.6, 302, 303, 312, 30/305, 315, 316; 99/506, 509, 544, 554, 99/537, 540, 584

5,533,442 A	7/1996	Tateno	
5,626,067 A	5/1997	Lothe	
D379,907 S	6/1997	Israeli	
5,692,424 A	12/1997	Wallace	
5,937,525 A *	8/1999	Chan .....	30/114
D415,937 S	11/1999	Robinson	
D432,874 S	10/2000	Kari	
6,382,089 B1	5/2002	Thiffault	
D464,853 S	10/2002	Klamer	
D473,109 S	4/2003	Birchansky	
D501,371 S	2/2005	Lo	
D521,819 S	5/2006	So et al.	
7,073,260 B2	7/2006	Jensen	
7,086,155 B2 *	8/2006	Chan et al. ....	30/114
D547,620 S	7/2007	Walzak et al.	
7,258,053 B2	8/2007	Suer et al.	
D550,521 S	9/2007	Roberson et al.	
7,266,894 B1	9/2007	Hinckley	
2005/0150117 A1	7/2005	Walzak et al.	
2006/0254058 A1	11/2006	Chang et al.	

See application file for complete search history.

\* cited by examiner

*Primary Examiner*—Terry A Wallace

(74) *Attorney, Agent, or Firm*—Michael Best & Friedrich LLP

(56) **References Cited**

U.S. PATENT DOCUMENTS

293,542 A	2/1884	Victor	
1,466,114 A	8/1923	Buchi	
1,581,310 A	4/1926	Fetschan	
1,864,147 A	6/1932	Rantine	
2,397,496 A	4/1946	Lunt	
D158,619 S	5/1950	Shaddock	
2,647,549 A	8/1953	Koch	
2,824,588 A	2/1958	Lyon et al.	
2,971,549 A	2/1961	Langville	
3,112,781 A	12/1963	Popeil	
3,128,810 A	4/1964	Whipp	
4,165,855 A	8/1979	Mason, Jr.	
4,569,280 A	2/1986	D'Ambro et al.	
4,580,343 A *	4/1986	Bell, Jr. ....	30/114
4,959,903 A	10/1990	Daoust et al.	
4,998,348 A	3/1991	Foate	
5,009,141 A	4/1991	Julian et al.	
5,035,056 A	7/1991	Sheffield	
5,074,777 A	12/1991	Garner	
5,363,756 A	11/1994	Muro	
5,375,512 A	12/1994	Ertmer	
5,431,078 A	7/1995	Ricard et al.	

(57) **CLAIM**

We claim the ornamental design for a food slicer, as shown and described.

**DESCRIPTION**

FIG. 1 is a perspective view of a food slicer embodying the invention.

FIG. 2 is a front view of the food slicer shown in FIG. 1, the rear view being substantially identical thereto.

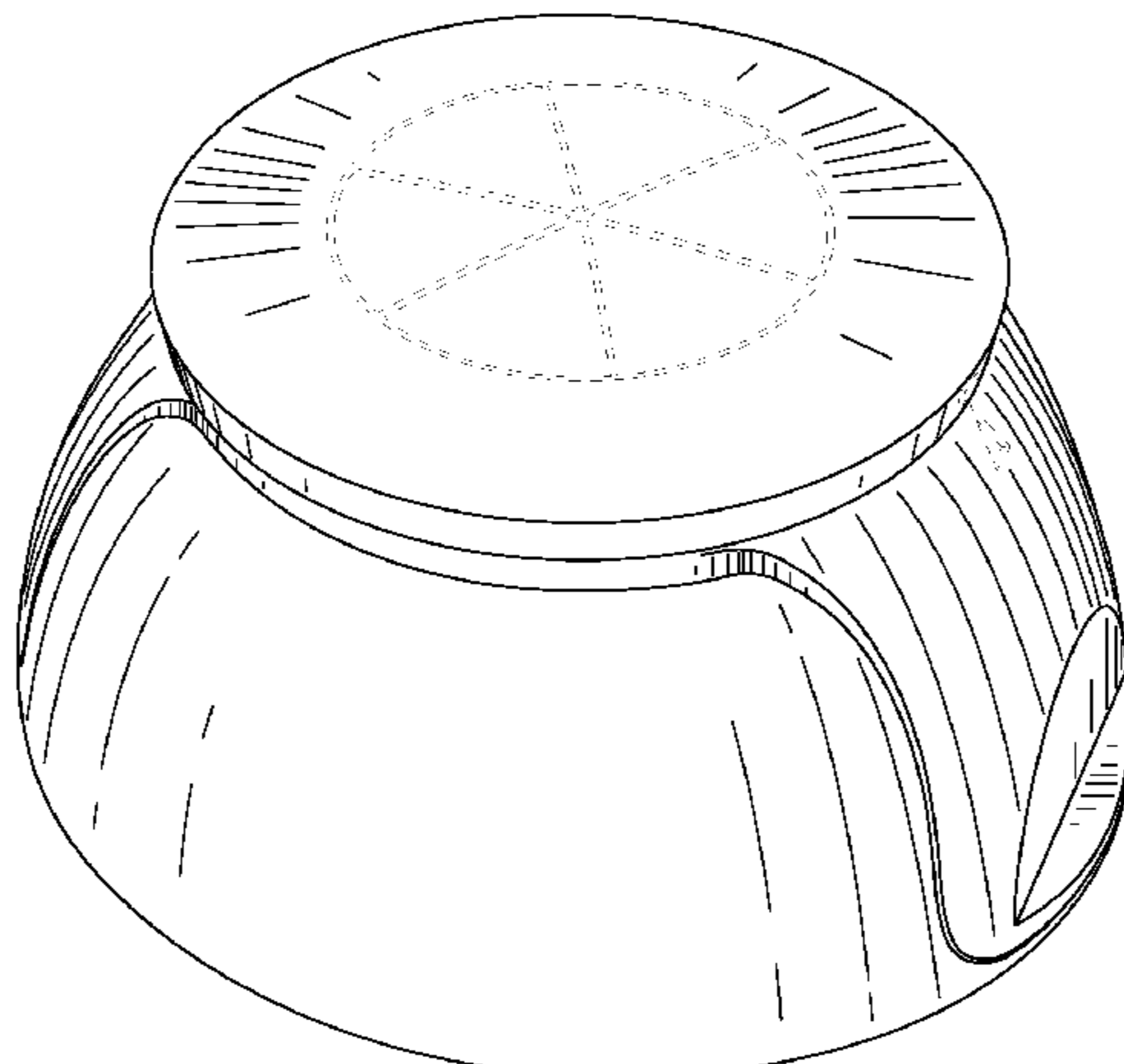
FIG. 3 is a side view of the food slicer shown in FIG. 1, the opposite side being substantially identical thereto.

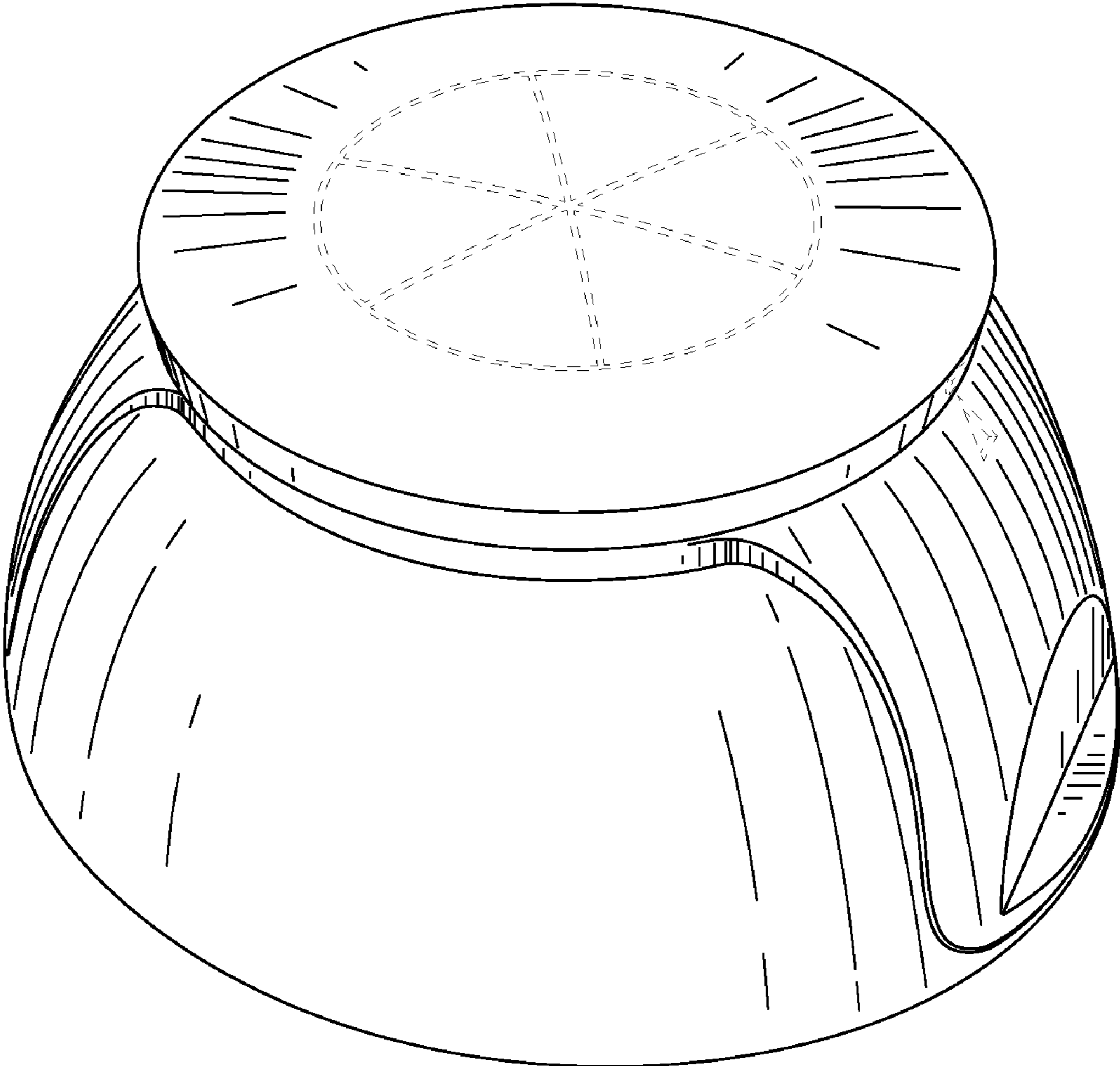
FIG. 4 is top view of the food slicer shown in FIG. 1; and,

FIG. 5 is a bottom view of the food slicer shown in FIG. 1.

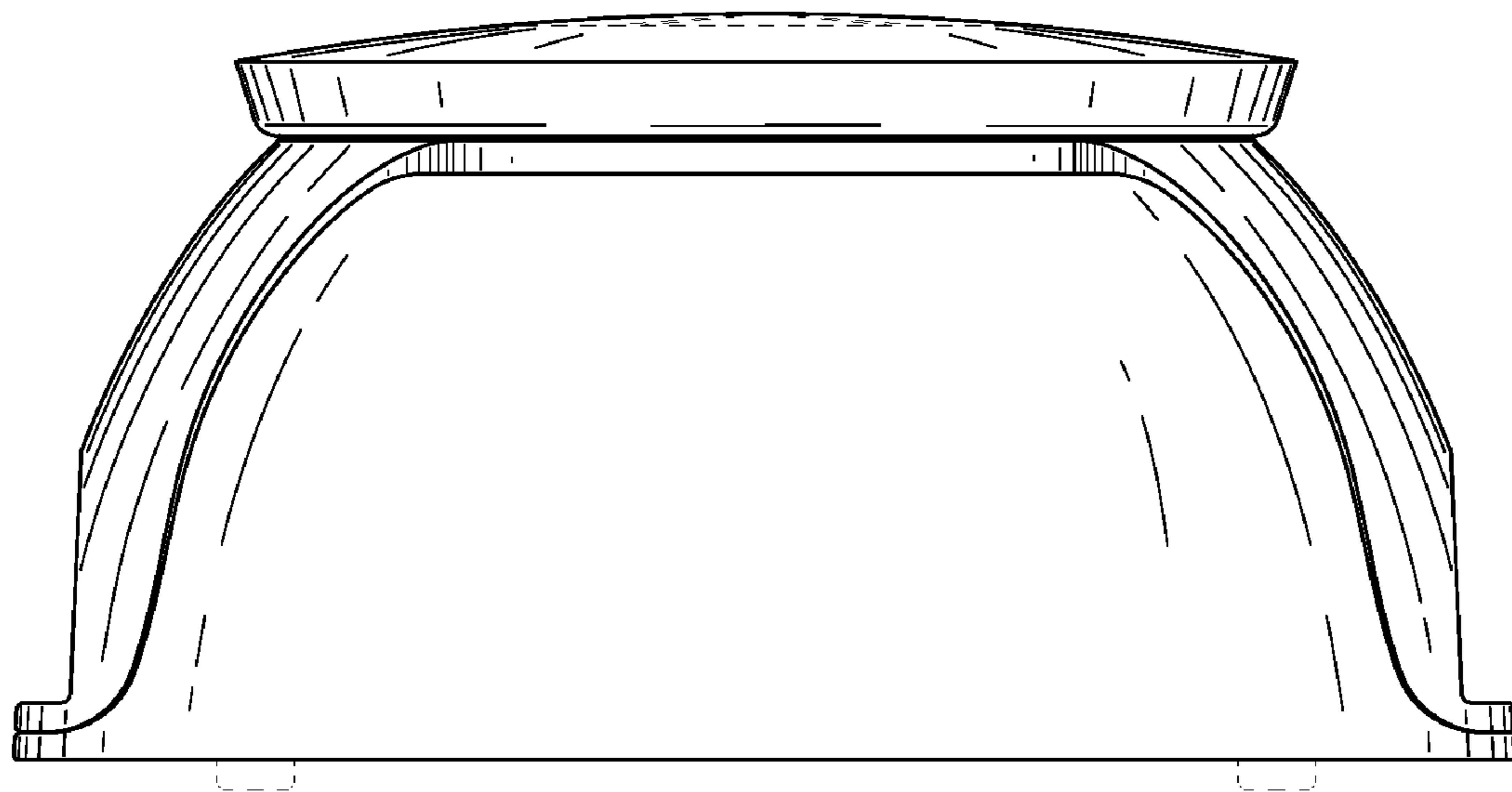
The broken lines showing the environment of the claimed design form no part thereof.

**1 Claim, 3 Drawing Sheets**

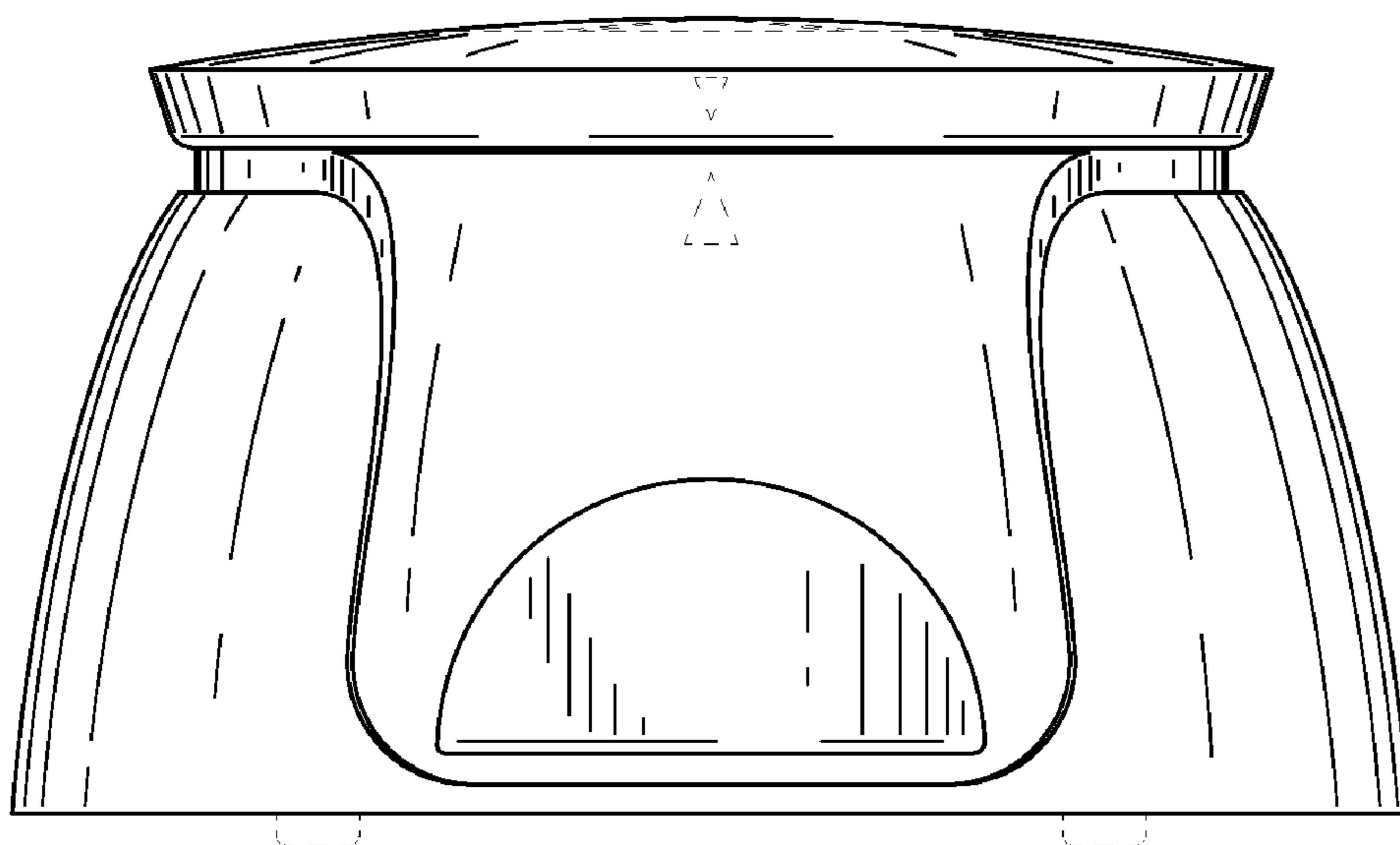




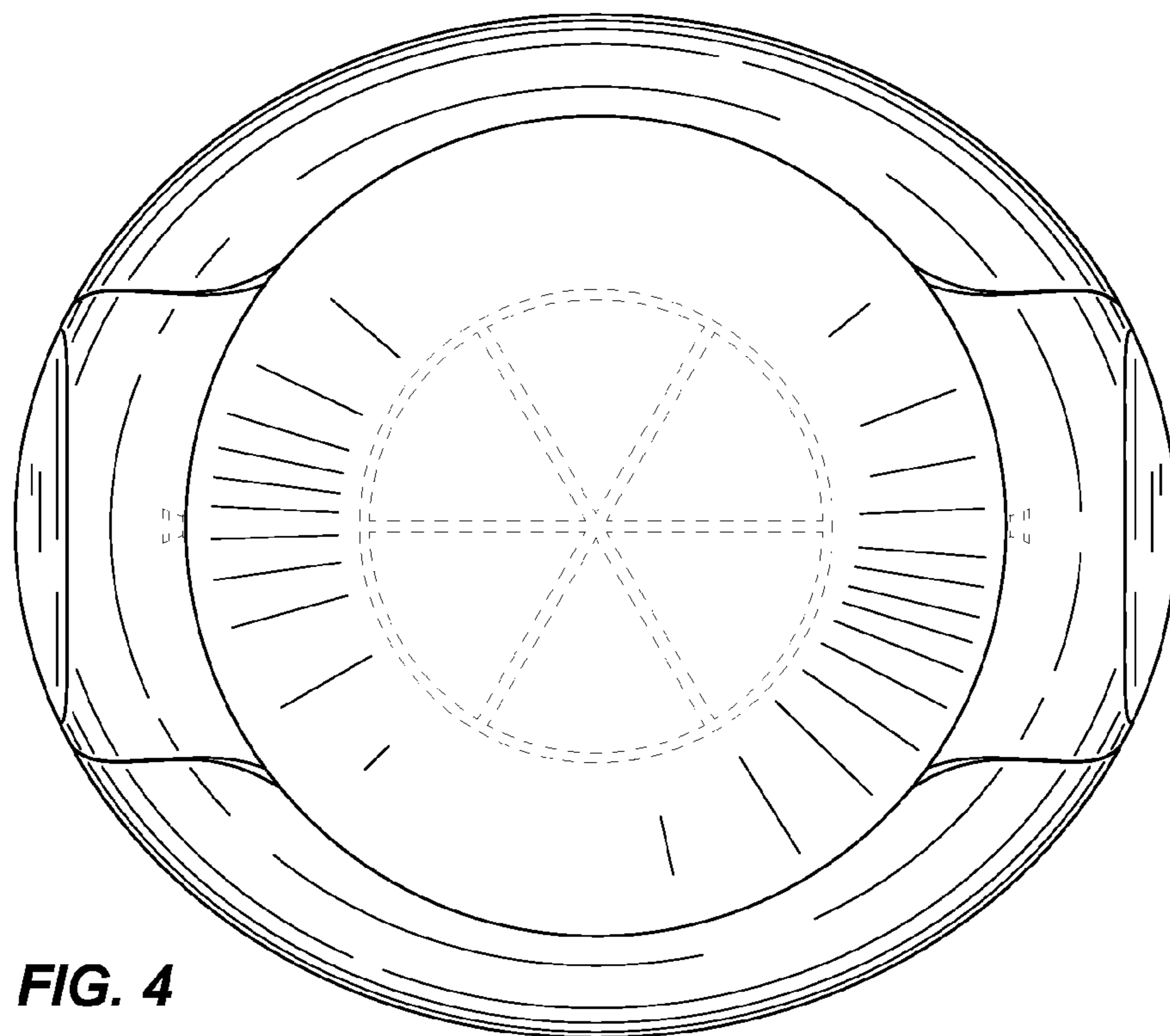
**FIG. 1**



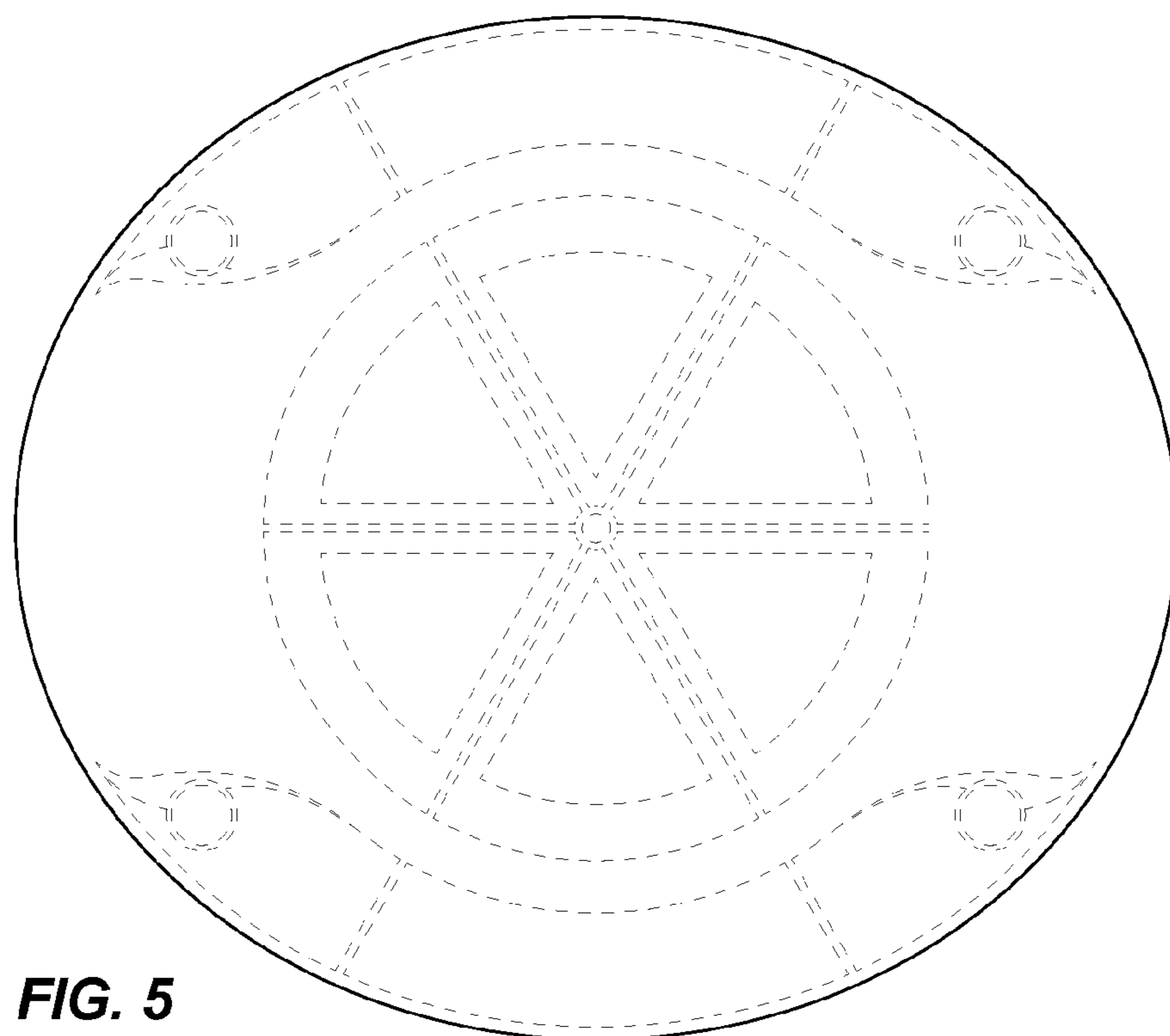
**FIG. 2**



**FIG. 3**



**FIG. 4**



**FIG. 5**