



US00D582217S

(12) **United States Design Patent**
Libby et al.

(10) **Patent No.:** **US D582,217 S**
(45) **Date of Patent:** **** Dec. 9, 2008**

(54) **ZAMBONI COOLER**

D525,086 S * 7/2006 Krieger et al. D7/605
D530,158 S * 10/2006 Miesieski et al. D7/605
D536,218 S * 2/2007 Krieger et al. D7/605

(76) Inventors: **Pat Libby**, 6120 Rosewood Pkwy.,
White Lake, MI (US) 48383; **Robert**
Chaput, 47 Gleneden Court, Garson,
Ontario (CA) P3L 1L6

* cited by examiner

Primary Examiner—Terry A Wallace

(**) Term: **14 Years**

(57) **CLAIM**

(21) Appl. No.: **29/290,991**

The ornamental design for a zamboni cooler, as shown and described.

(22) Filed: **Feb. 6, 2008**

DESCRIPTION

(51) **LOC (8) Cl.** **07-01**

FIG. 1 is a rear perspective view from above of the zamboni cooler of the present design in a close lid configuration.

(52) **U.S. Cl.** **D7/606**

FIG. 2 is a rear perspective view from above of the zamboni cooler of the present design in an opened lid configuration.

(58) **Field of Classification Search** D7/603–608,
D7/628; 62/457.1–457.9, 371, 373; 220/915.1,
220/915.2, 592.01, 592.03, 592.09, 592.16,
220/592.2; D12/1, 6, 14

FIG. 3 is a left side elevation view of the zamboni cooler of the present design.

See application file for complete search history.

FIG. 4 is a right side elevation view of the zamboni cooler of the present design.

(56) **References Cited**

U.S. PATENT DOCUMENTS

D328,689 S * 8/1992 Riskowski D7/605
5,259,215 A * 11/1993 Rocca 62/371
5,373,708 A * 12/1994 Dumoulin, Jr. 62/457.7
5,407,218 A * 4/1995 Jackson 62/457.7
D366,599 S * 1/1996 Brown et al. D7/605
D429,606 S * 8/2000 Israel et al. D7/605
D484,004 S * 12/2003 Lee D7/605
D486,037 S * 2/2004 Corzo D7/606

FIG. 5 is a top plan view of the zamboni cooler of the present design.

FIG. 6 is a front elevation view of the zamboni cooler of the present design; and,

FIG. 7 is a rear elevation view of the zamboni cooler of the present design.

1 Claim, 5 Drawing Sheets

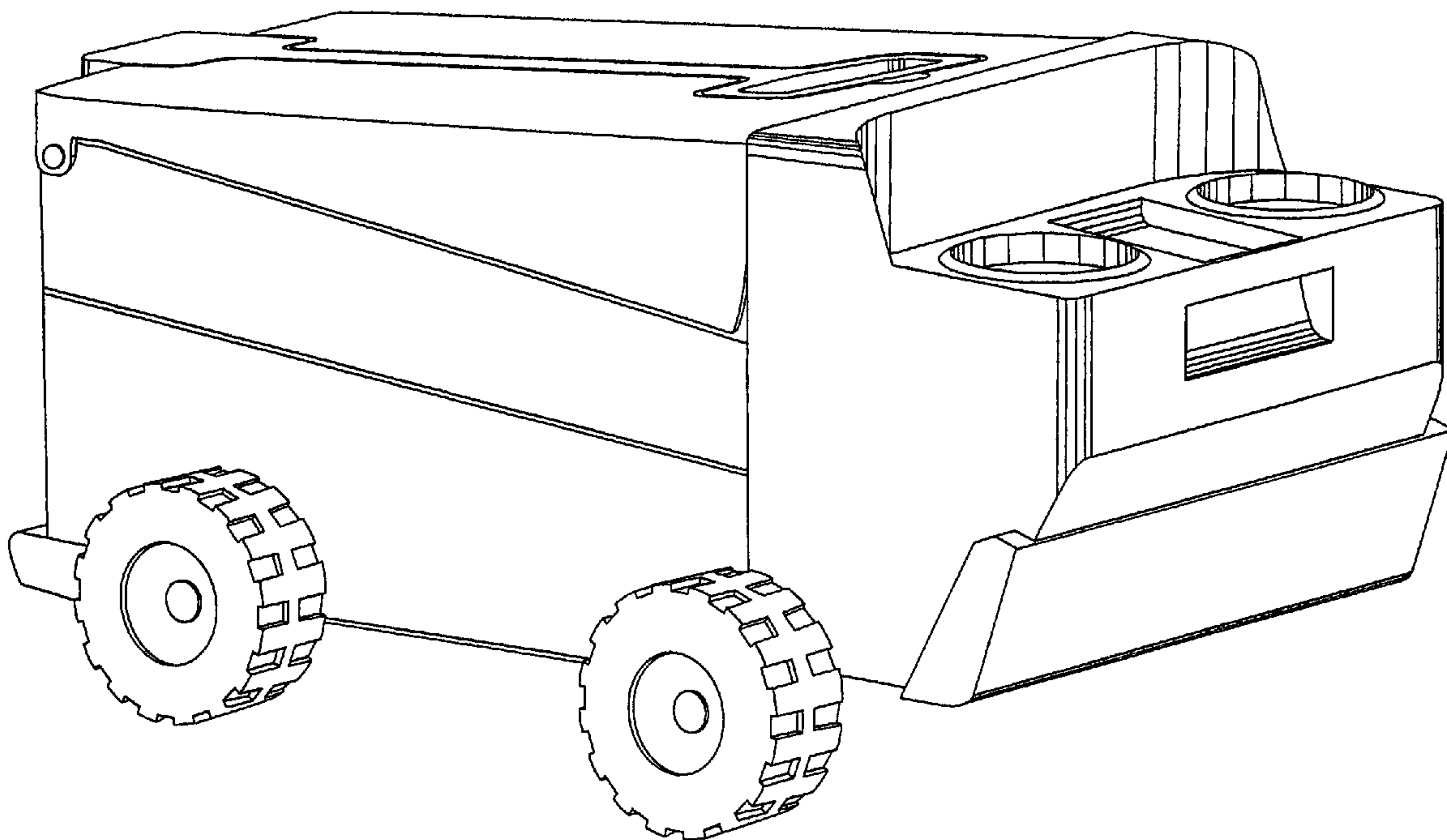
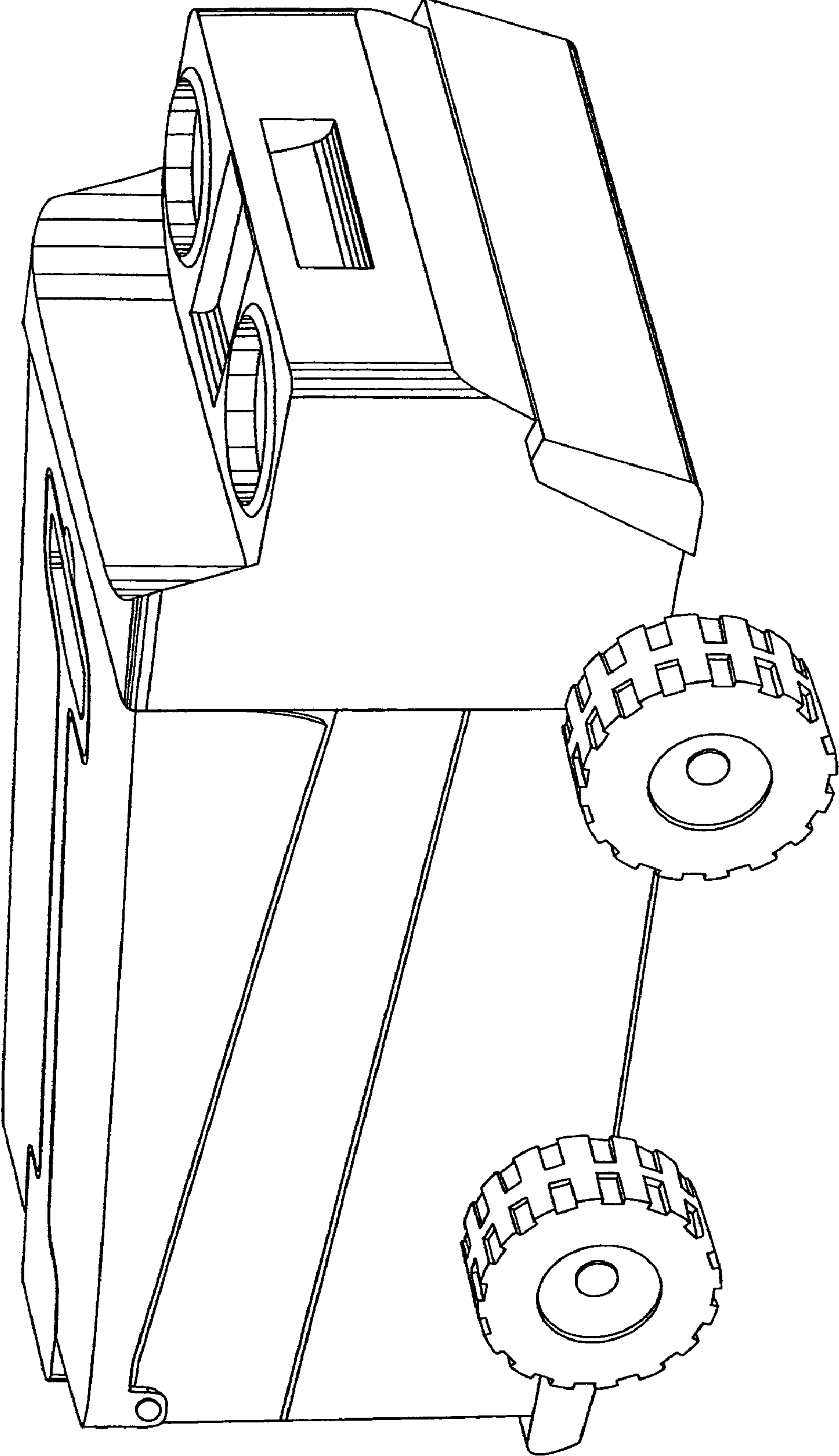


Fig. 1



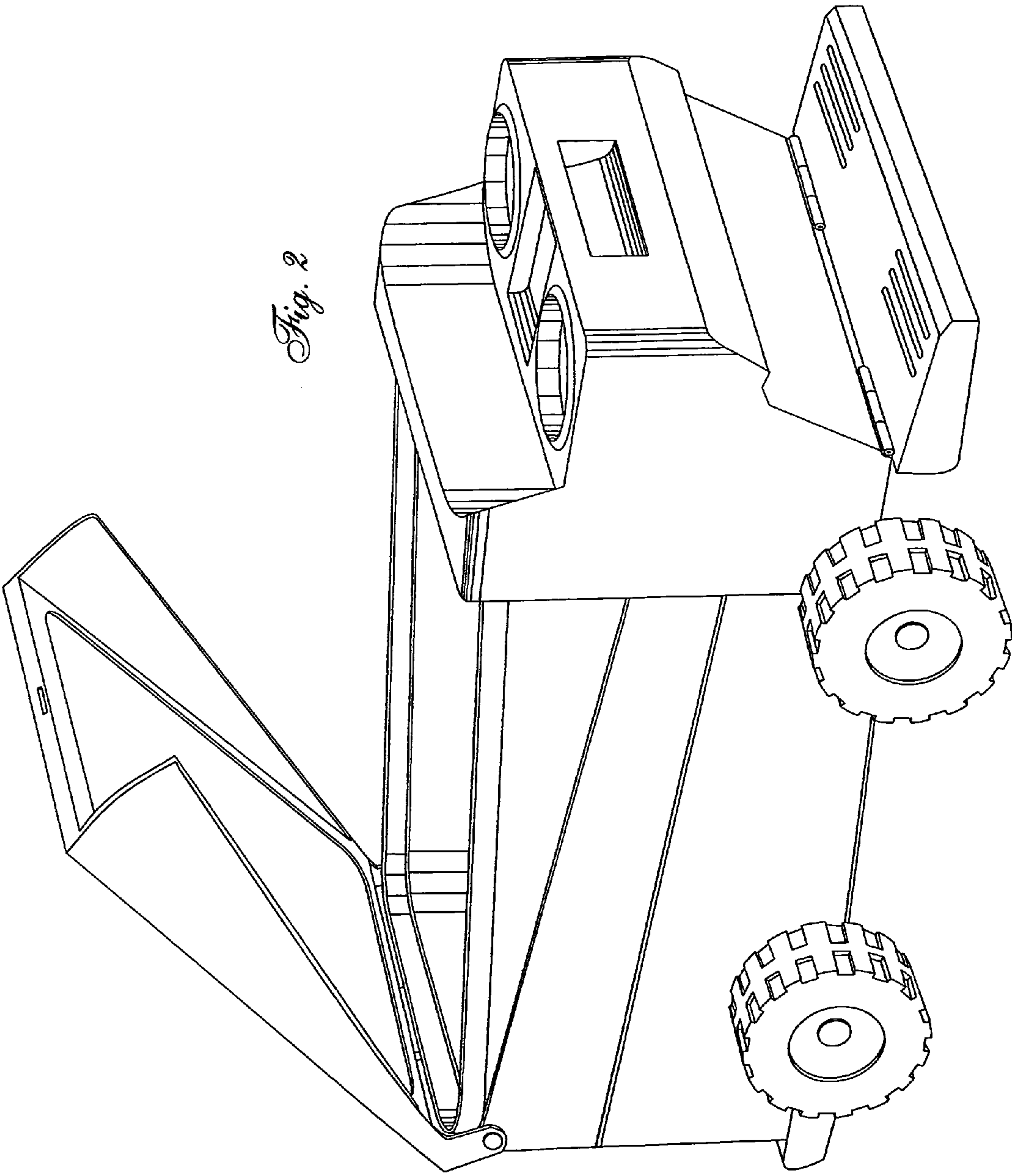


Fig. 2

Fig. 3

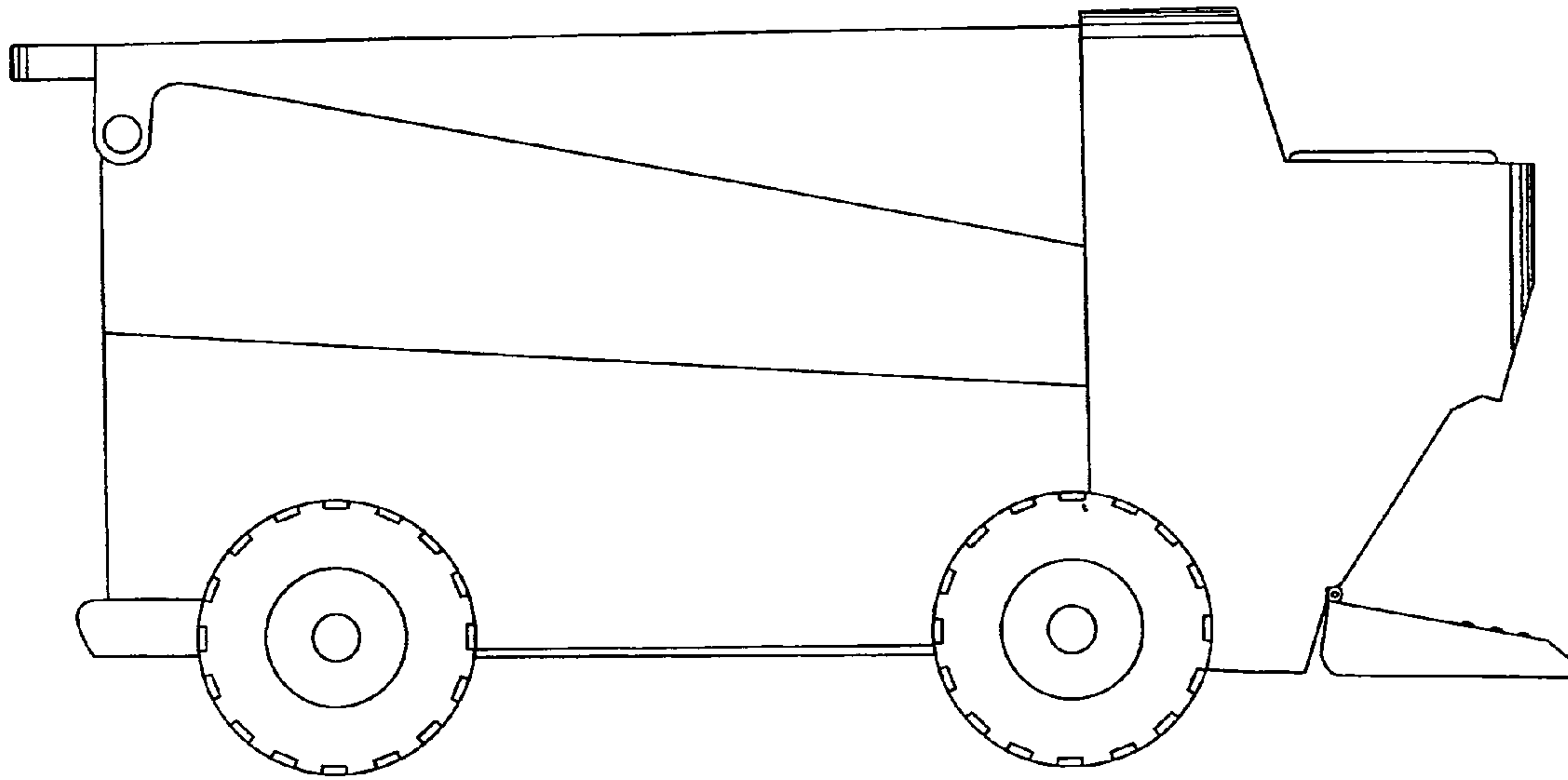
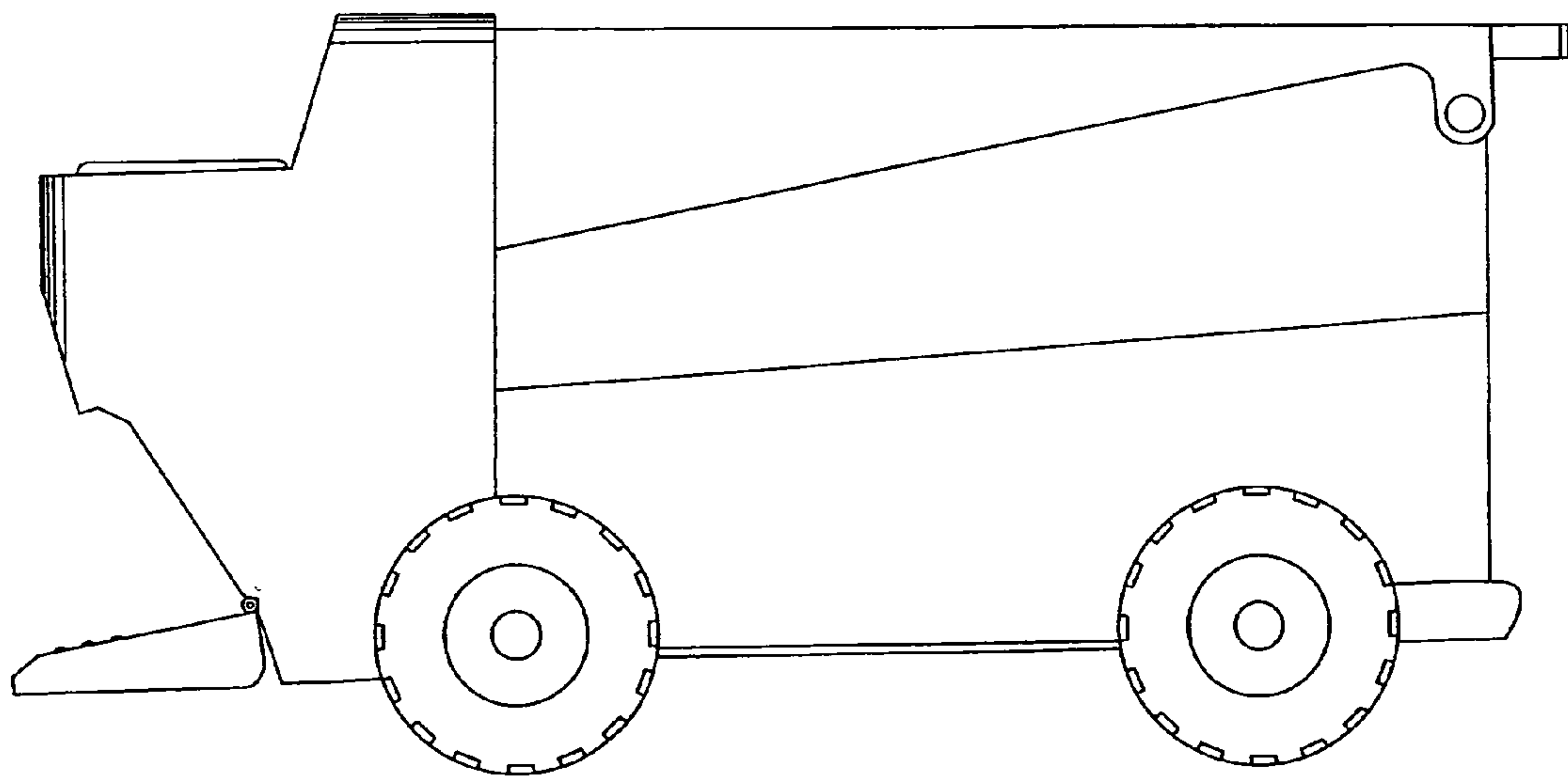


Fig. 4



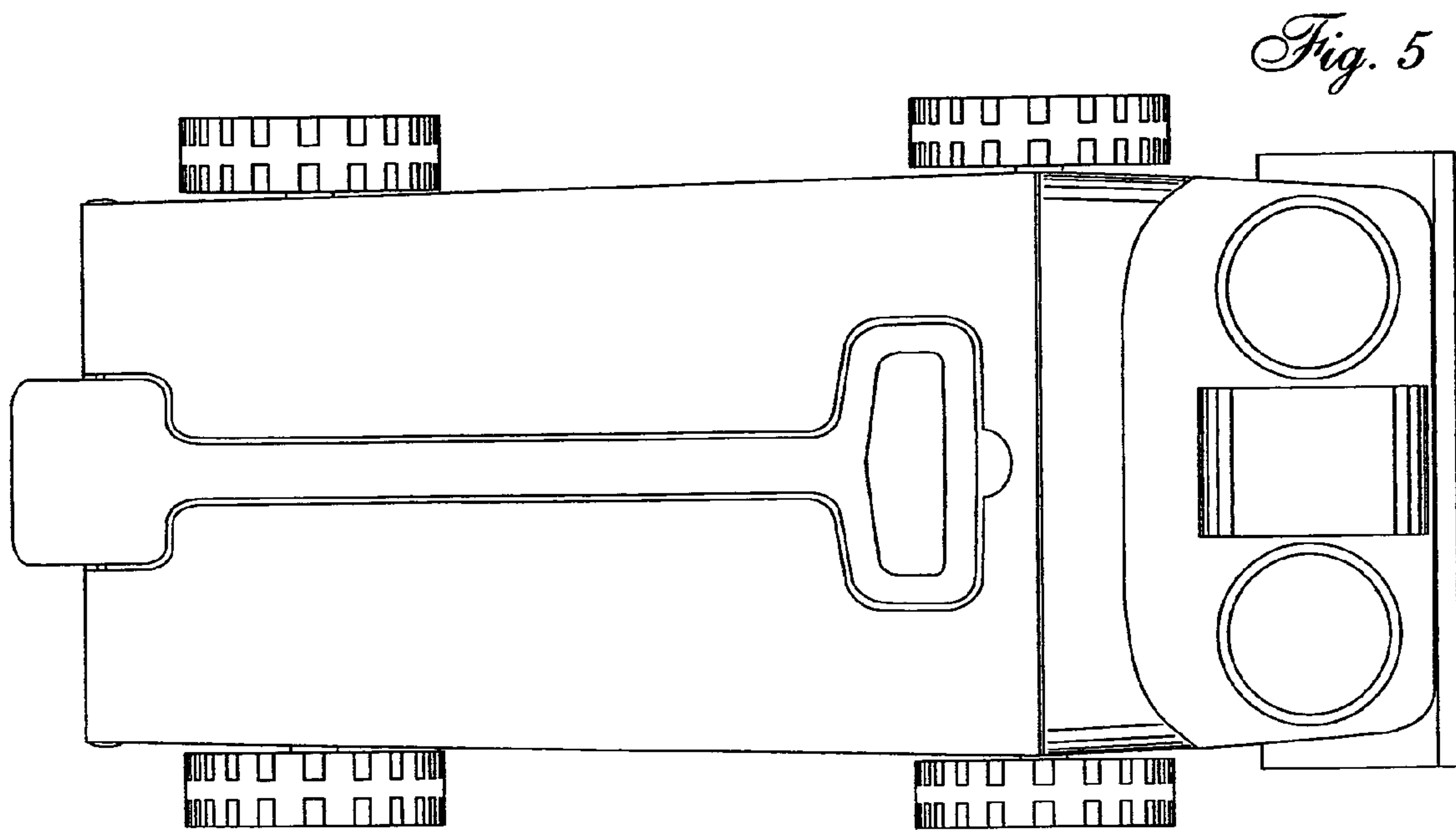


Fig. 6

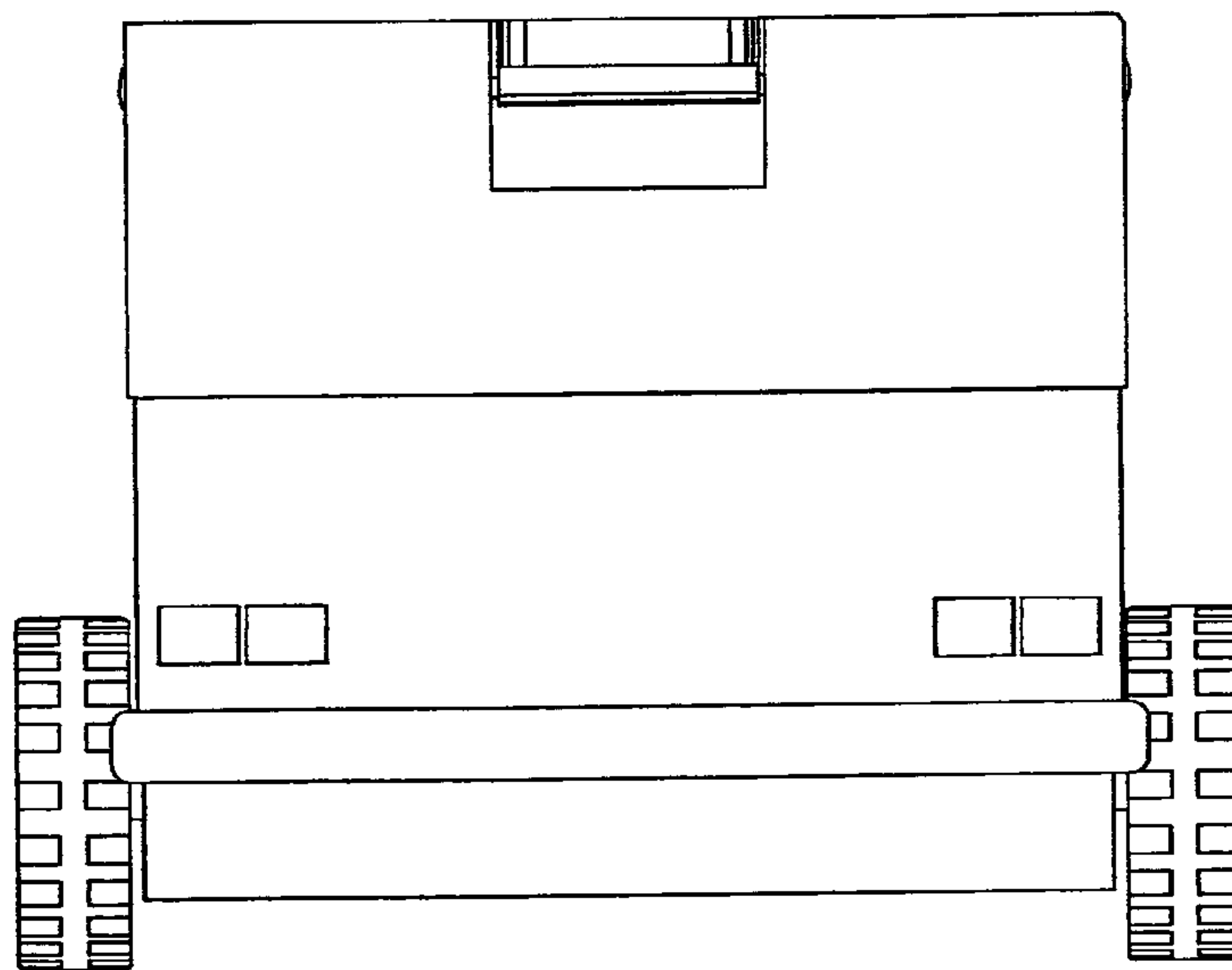


Fig. 7

