



US00D582213S

(12) **United States Design Patent**
Kehrein et al.

(10) **Patent No.:** **US D582,213 S**
(45) **Date of Patent:** **** Dec. 9, 2008**

(54) **GLASS**

(75) Inventors: **Carsten Kehrein**, Koblenz (DE); **Alan Jack Johan Laninga**, British Columbia (CA)

(73) Assignee: **BBC Brands, LLC**, Boston, MA (US)

(**) Term: **14 Years**

(21) Appl. No.: **29/317,282**

(22) Filed: **Apr. 25, 2008**

Related U.S. Application Data

(63) Continuation of application No. 29/276,198, filed on Jan. 18, 2007, now Pat. No. Des. 569,189.

(51) **LOC (8) Cl.** **07-01**

(52) **U.S. Cl.** **D7/523; D7/509**

(58) **Field of Classification Search** D7/500, D7/509, 523, 532, 510, 524, 528, 584; D9/500, D9/516, 549, 776, 763, 778; D21/754; D34/1; 215/387, DIG. 7; 220/592.16, 592.17, 703
See application file for complete search history.

(56) **References Cited**

U.S. PATENT DOCUMENTS

- D38,248 S 9/1906 Helmer
- D96,737 S 9/1935 Funfrock
- D99,508 S 5/1936 Hutchinson
- D108,788 S 3/1938 Kostellow
- D110,280 S 6/1938 Fuerst
- 2,585,445 A * 2/1952 Dingeldein 220/605
- D356,232 S 3/1995 Armstrong et al.
- D358,080 S * 5/1995 Handler D7/509
- D383,037 S 9/1997 Asberg
- D404,254 S 1/1999 Asberg
- D404,256 S * 1/1999 Asberg D7/511

- D408,221 S * 4/1999 Asberg D7/511
- 5,909,820 A 6/1999 Yeh
- D437,230 S 2/2001 Andrew
- D454,278 S 3/2002 Kerman
- D454,757 S * 3/2002 Lack D7/523
- D469,658 S 2/2003 Norris et al.
- D479,436 S * 9/2003 Ortiz Gispert D7/509
- D506,641 S 6/2005 Liu
- D523,340 S * 6/2006 Westphal D9/500
- D526,848 S 8/2006 Bodum
- D528,861 S 9/2006 Herrera
- D546,626 S 7/2007 Chou
- D563,172 S * 3/2008 Bodum D7/523

* cited by examiner

Primary Examiner—Philip Hyder

Assistant Examiner—Cynthia Underwood

(74) *Attorney, Agent, or Firm*—Dorsey & Whitney LLP

(57) **CLAIM**

The ornamental design for the glass, as shown and described.

DESCRIPTION

FIG. 1 is a side view of a first embodiment of a glass showing our new design;

FIG. 2 is a perspective view of the glass of FIG. 1;

FIG. 3 is a top view of the glass of FIG. 1;

FIG. 4 is a bottom view of the glass of FIG. 1;

FIG. 5 is a front view of a second embodiment of a glass showing our new design;

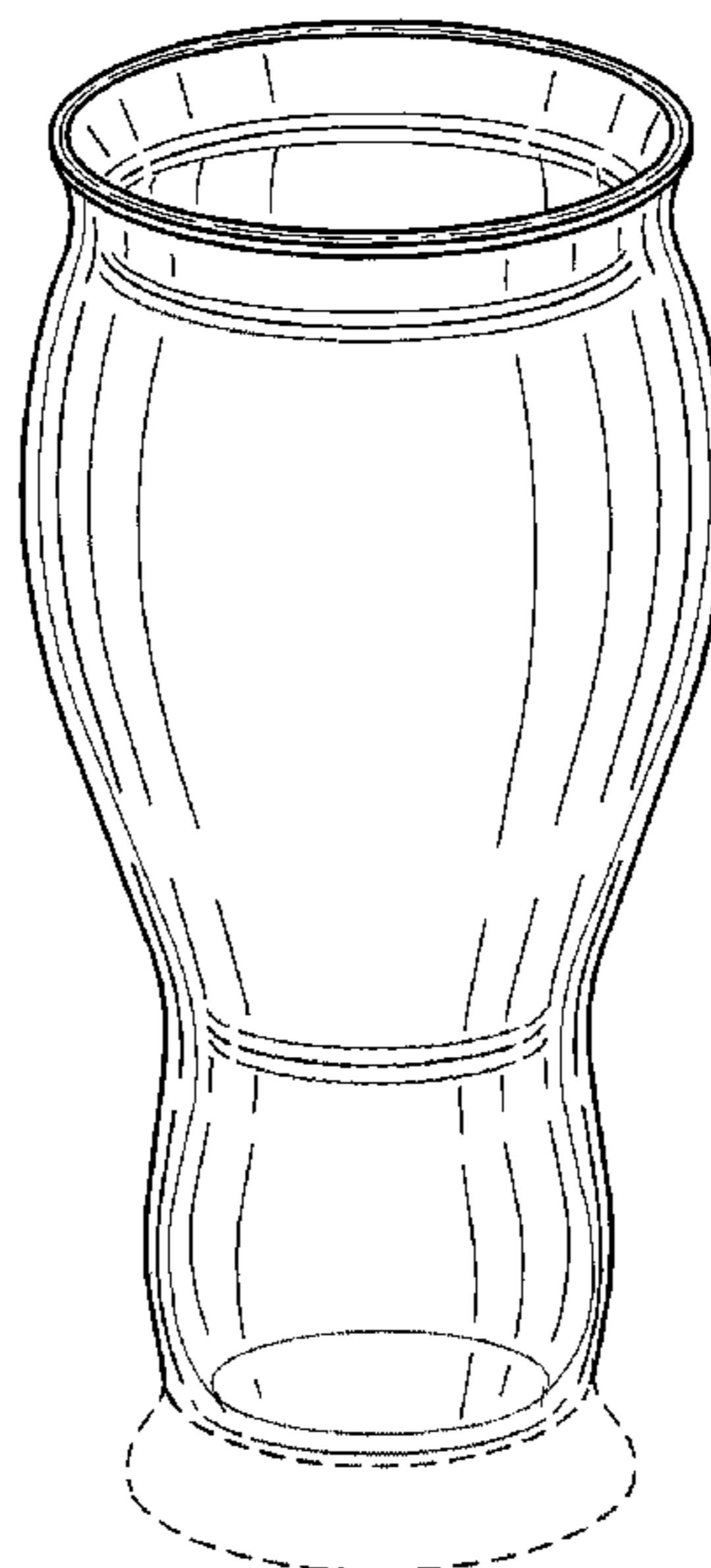
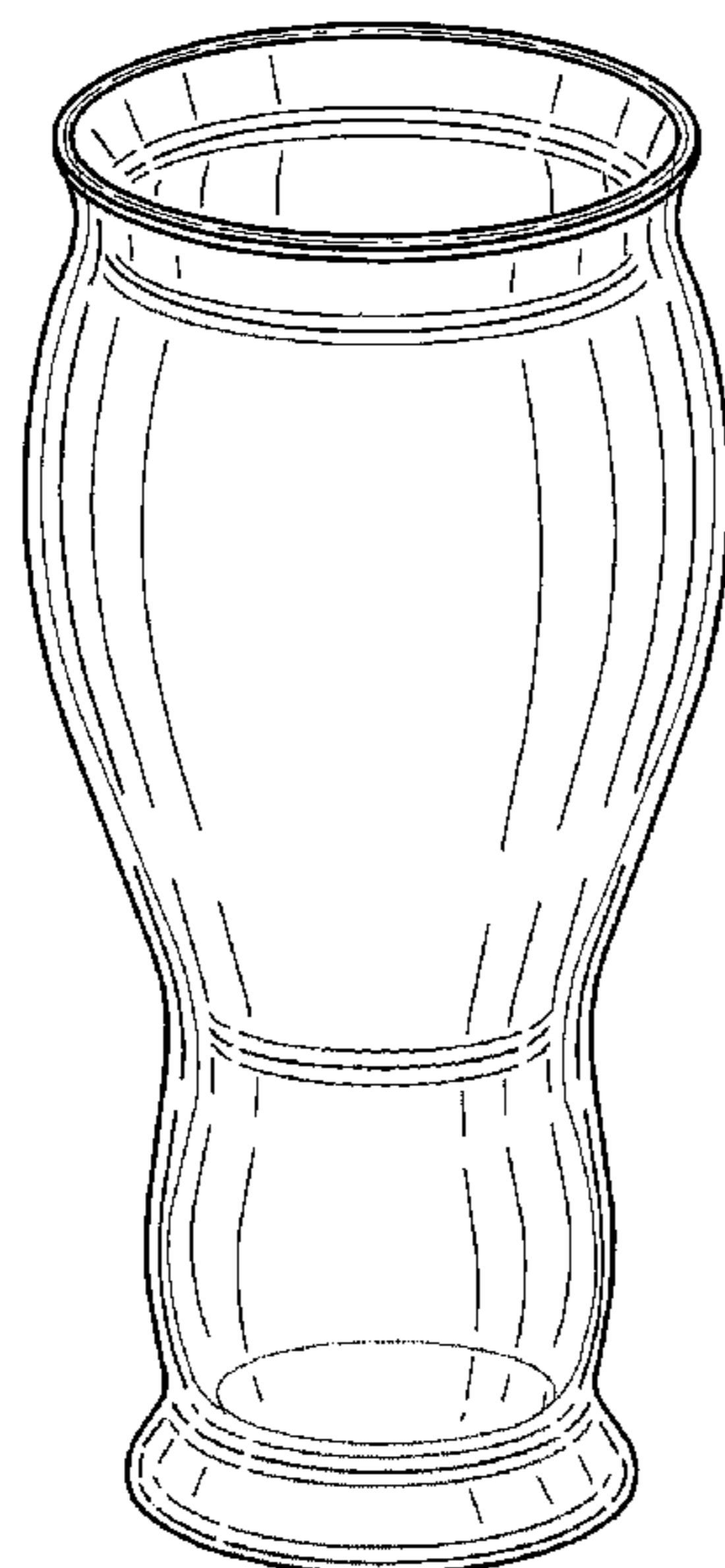
FIG. 6 is a perspective view of the glass of FIG. 5;

FIG. 7 is a top view of the glass of FIG. 5; and,

FIG. 8 is a bottom view of the glass of FIG. 5.

The broken lines in FIGS. 5 through 8 represent portions of the design that form no part of the claim.

1 Claim, 4 Drawing Sheets



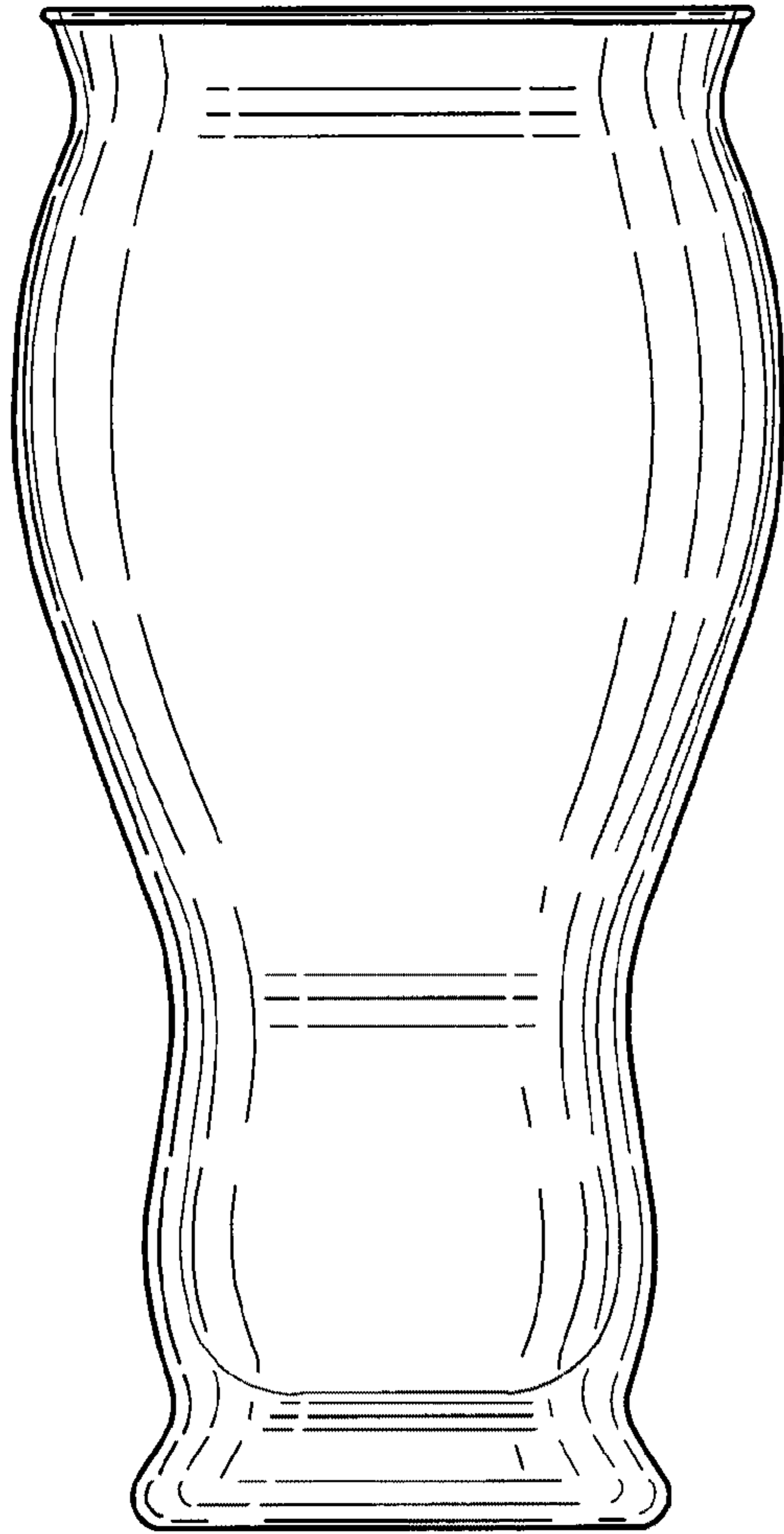


FIG. 1

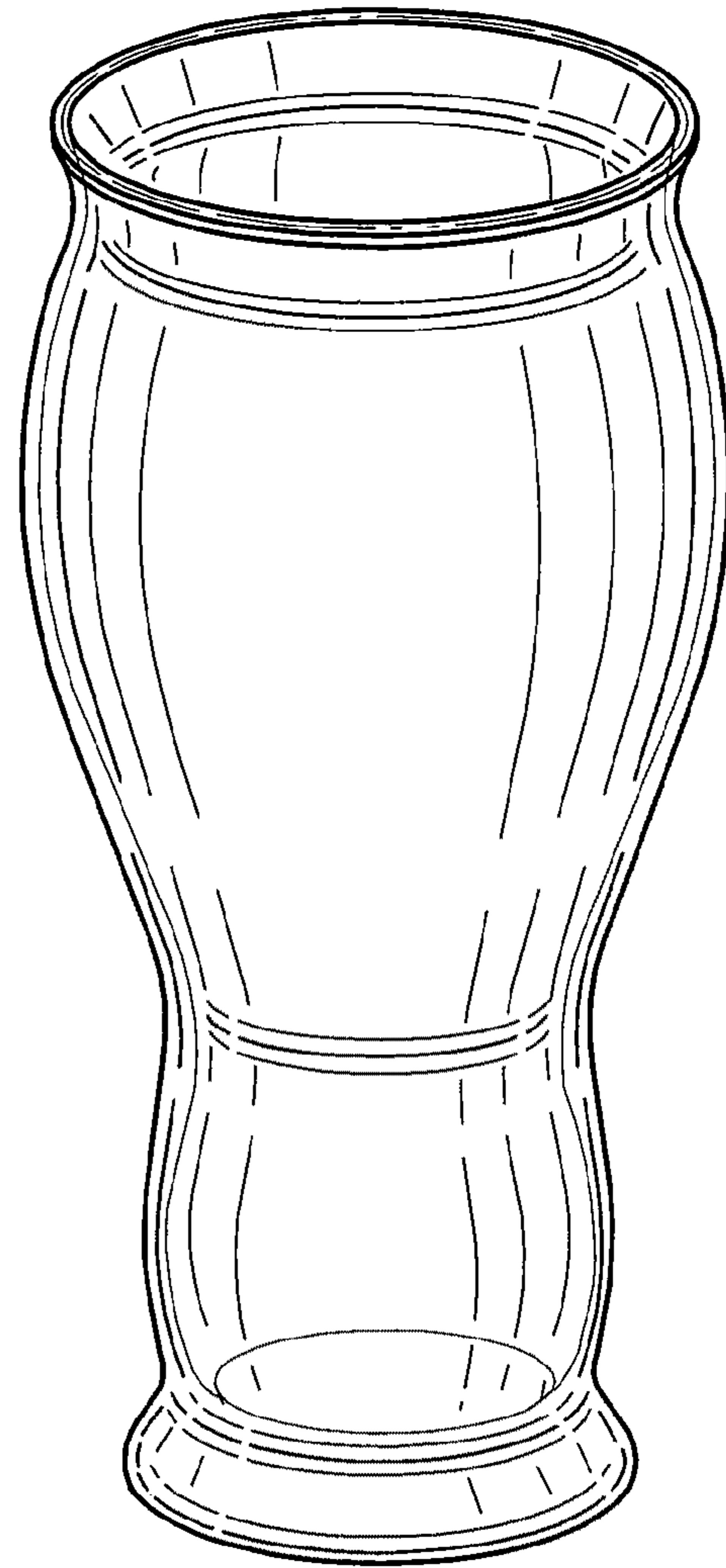


FIG. 2

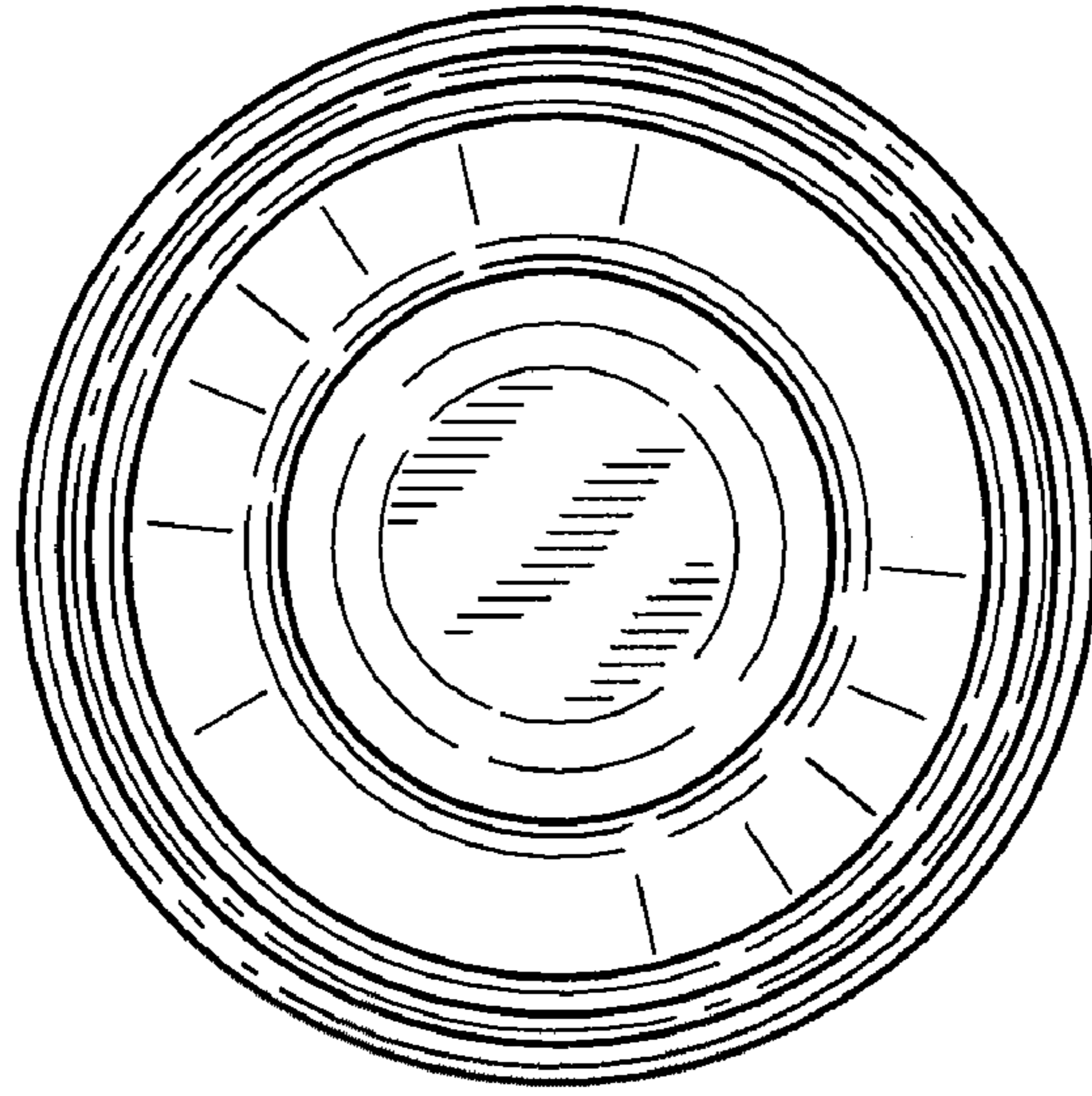


FIG. 3

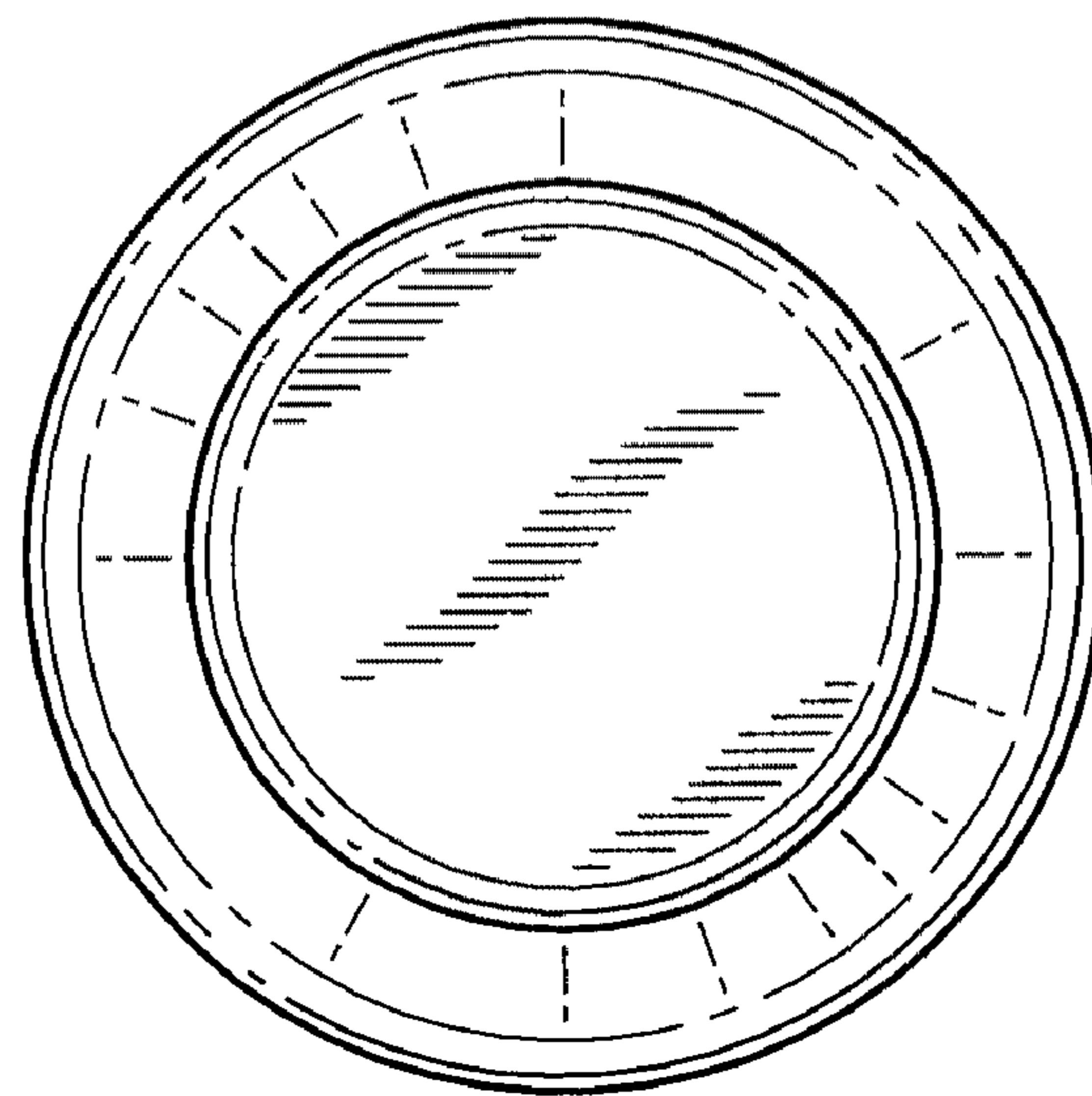


FIG. 4

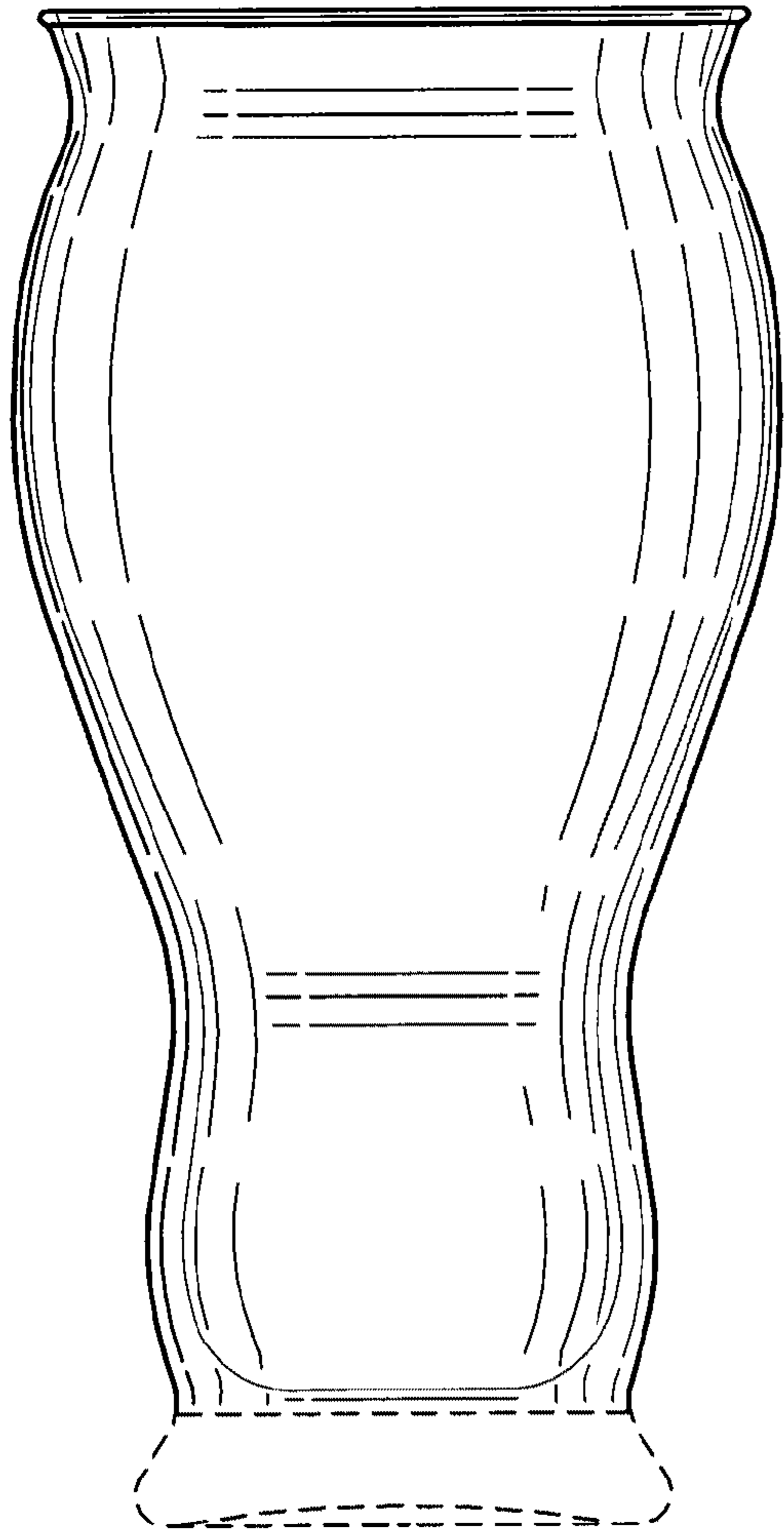


FIG. 5

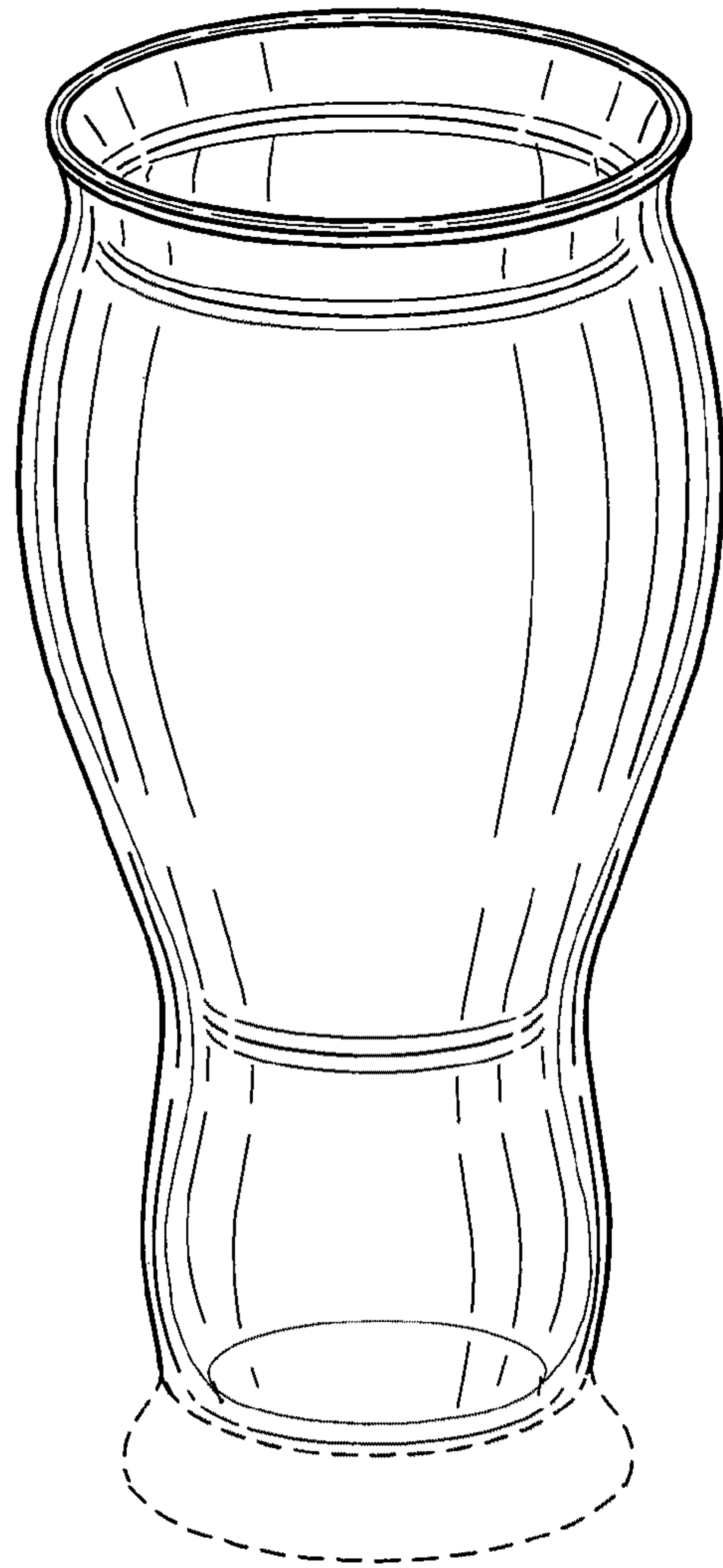


FIG. 6

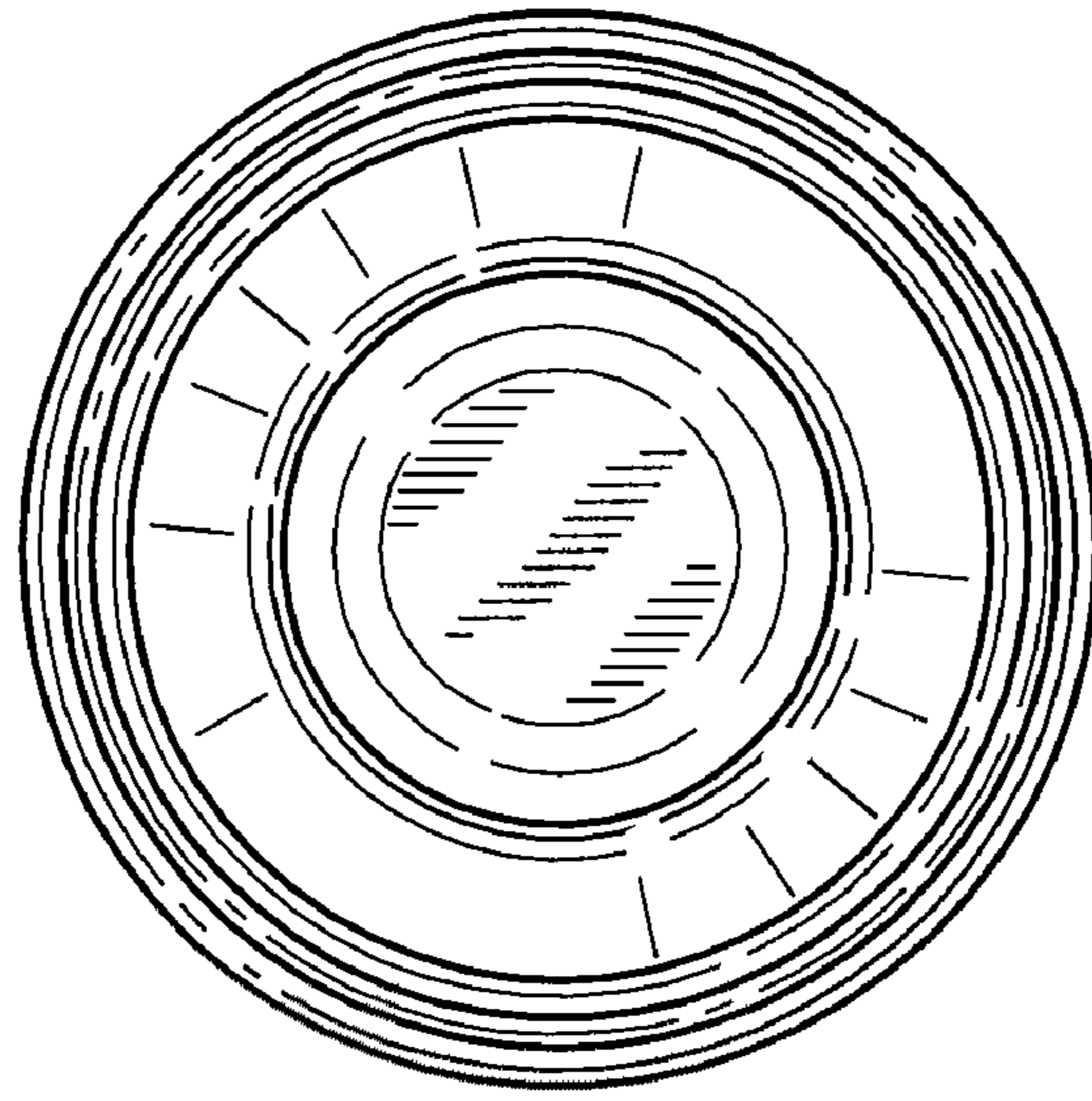


FIG. 7

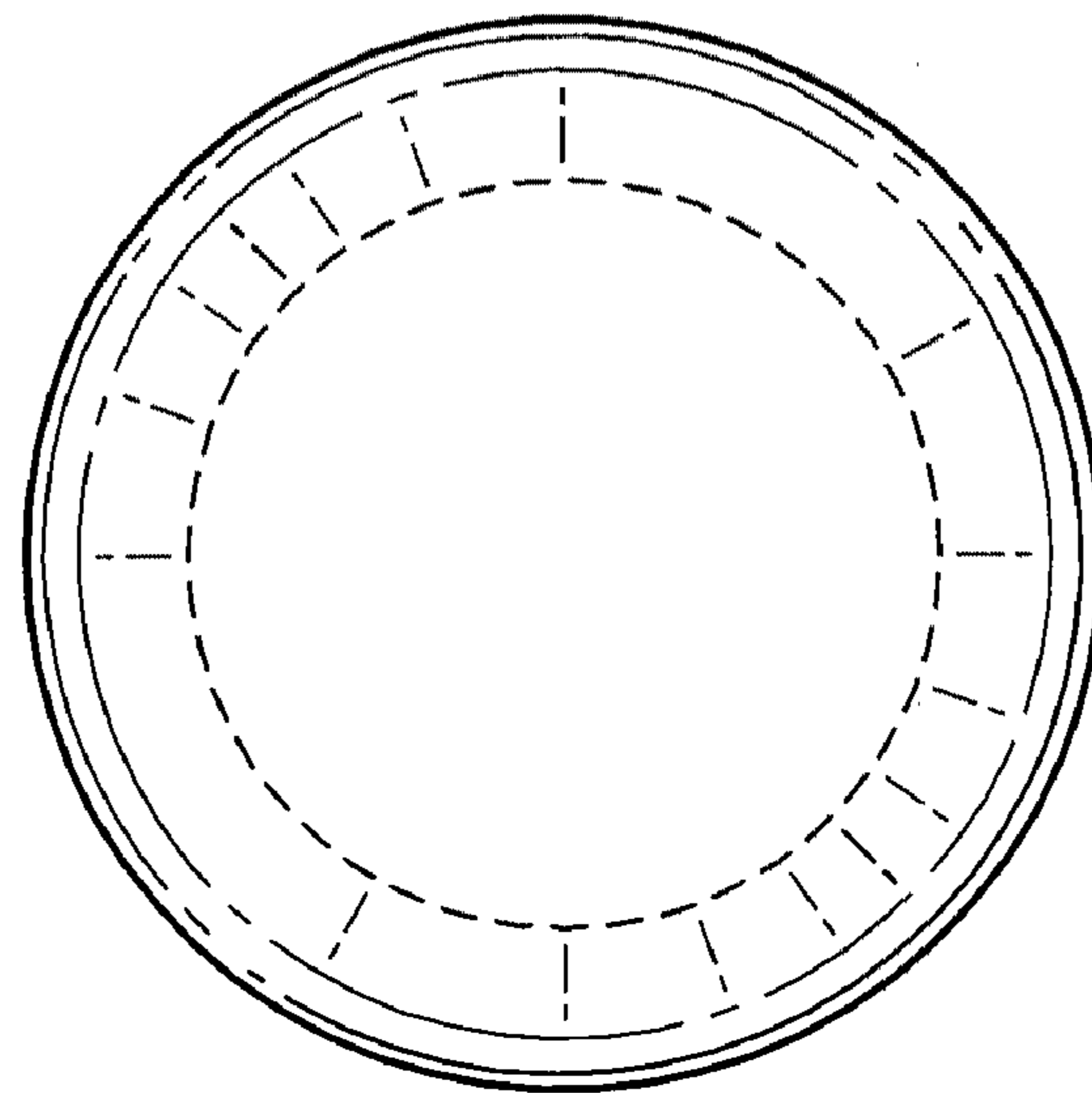


FIG. 8