



US00D582209S

(12) **United States Design Patent**  
**Thomas**

(10) **Patent No.:** **US D582,209 S**  
(45) **Date of Patent:** **\*\* Dec. 9, 2008**

(54) **FAUCET HANDLE**

(75) Inventor: **William H. Thomas**, Pawnee, IL (US)

(73) Assignee: **Bunn-O-Matic Corporation**,  
Springfield, IL (US)

(\*\*) Term: **14 Years**

(21) Appl. No.: **29/302,207**

(22) Filed: **Jan. 11, 2008**

(51) **LOC (8) Cl.** ..... **07-01**

(52) **U.S. Cl.** ..... **D7/398; D7/394**

(58) **Field of Classification Search** ..... D7/306,  
D7/397, 398, 313, 368, 387, 392, 392.1, 395,  
D7/300, 311, 396, 394; D20/4; D23/238,  
D23/233, 242, 213, 249, 255, 262, 252; 137/600;  
D6/512, 553; D9/434, 435; 222/222, 255,  
222/481, 568, 566, 569

See application file for complete search history.

(56) **References Cited**

**U.S. PATENT DOCUMENTS**

2,097,063	A	10/1937	Heller	
D159,565	S *	8/1950	Wangelin	D7/398
D187,905	S *	5/1960	Seltsam	D7/398
3,104,089	A	9/1963	Seltsam	
3,195,566	A	7/1965	Cornelius	
3,207,472	A	9/1965	Seltsam	
3,246,872	A	4/1966	Seltsam	
3,287,796	A	11/1966	Seltsam	
3,301,525	A	1/1967	Chernak et al.	
3,592,219	A	7/1971	Giese	
4,493,443	A	1/1985	Bailey	
4,494,274	A *	1/1985	Thurlow	16/431
4,687,123	A	8/1987	Hyde	
D352,637	S *	11/1994	Ugolini	D7/398
D369,937	S *	5/1996	Guadalupi	D7/300
D409,439	S *	5/1999	Precelton	D7/397
6,070,771	A	6/2000	Hart et al.	
6,089,409	A	7/2000	Hart et al.	

6,139,888	A	10/2000	Knepler	
6,176,562	B1	1/2001	Hart	
D450,974	S *	11/2001	Scullion et al.	D7/306
D451,337	S *	12/2001	Sum	D7/387
6,702,159	B2	3/2004	Itou et al.	
D493,331	S	7/2004	Munoz	
6,808,088	B2	10/2004	Chiu	
6,868,994	B2	3/2005	Kawolics	
D506,529	S *	6/2005	Roethel	D23/252
7,000,468	B2 *	2/2006	Doorhy et al.	73/301
D532,651	S *	11/2006	Giugiaro	D7/394
2008/0135117	A1 *	6/2008	Hansson et al.	137/600

**OTHER PUBLICATIONS**

U.S. Trademark Reg. No. 1,261,623, Meyer Company (Dec. 20, 1983).

U.S. Trademark Reg. No. 2,058,539, Meyer Company (May 6, 1997).

\* cited by examiner

*Primary Examiner*—Philip S Hyder

*Assistant Examiner*—Cynthia Underwood

(74) *Attorney, Agent, or Firm*—Barnes & Thornburg LLP

(57) **CLAIM**

What is claimed is the ornamental design for a faucet handle, as shown and described.

**DESCRIPTION**

FIG. 1 is a perspective view of a faucet handle shown on a broken line representation of a faucet body;

FIG. 2 is a front view of the faucet handle;

FIG. 3 is a right side view thereof, the left side view being a mirror image thereof;

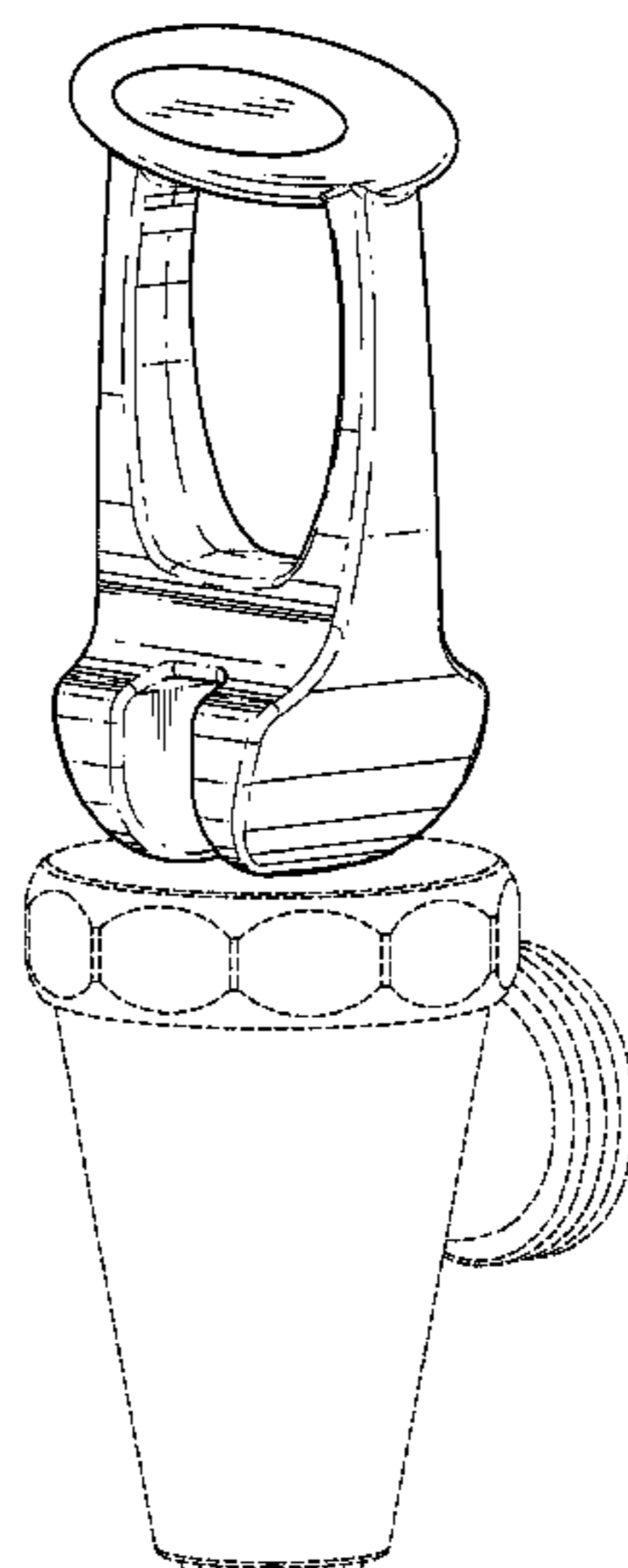
FIG. 4 is a rear view thereof;

FIG. 5 is a top view thereof; and,

FIG. 6 is a bottom view thereof.

The portions shown in broken lines are included to show environment and form no part of the claimed design

**1 Claim, 5 Drawing Sheets**



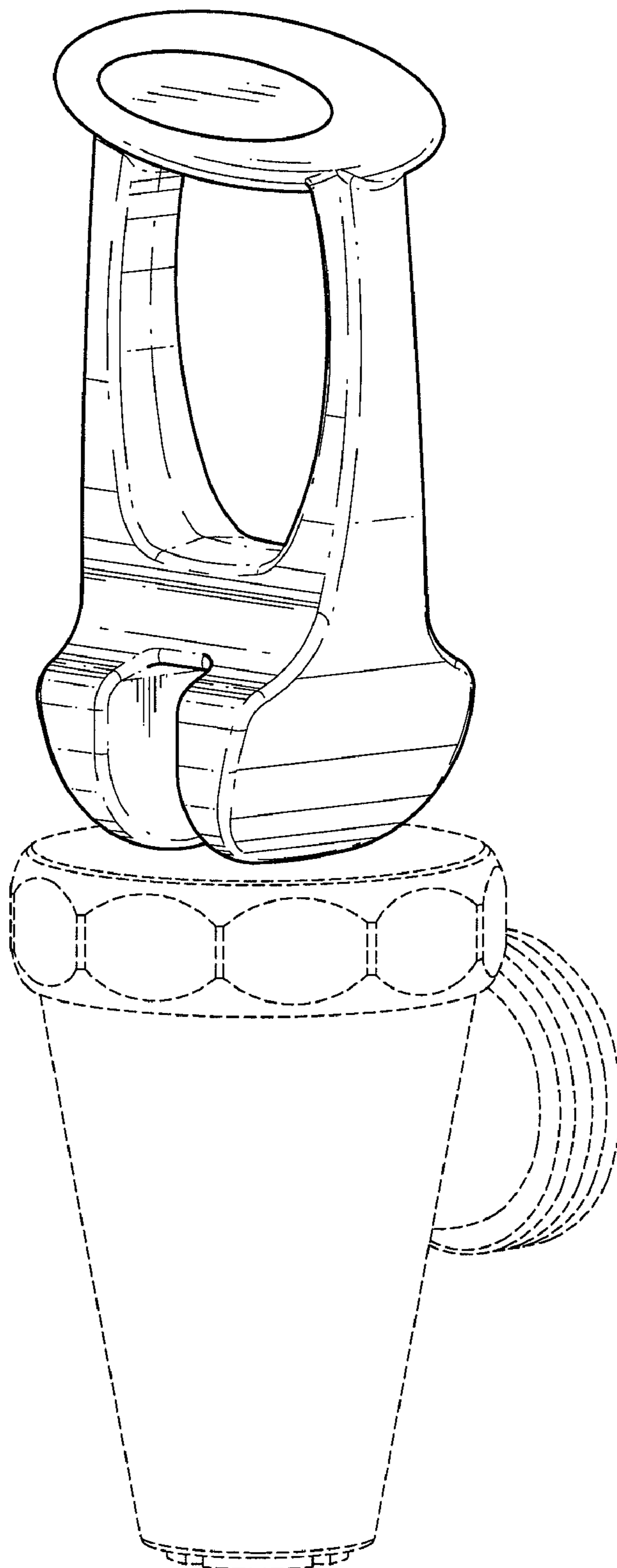


FIG. 1

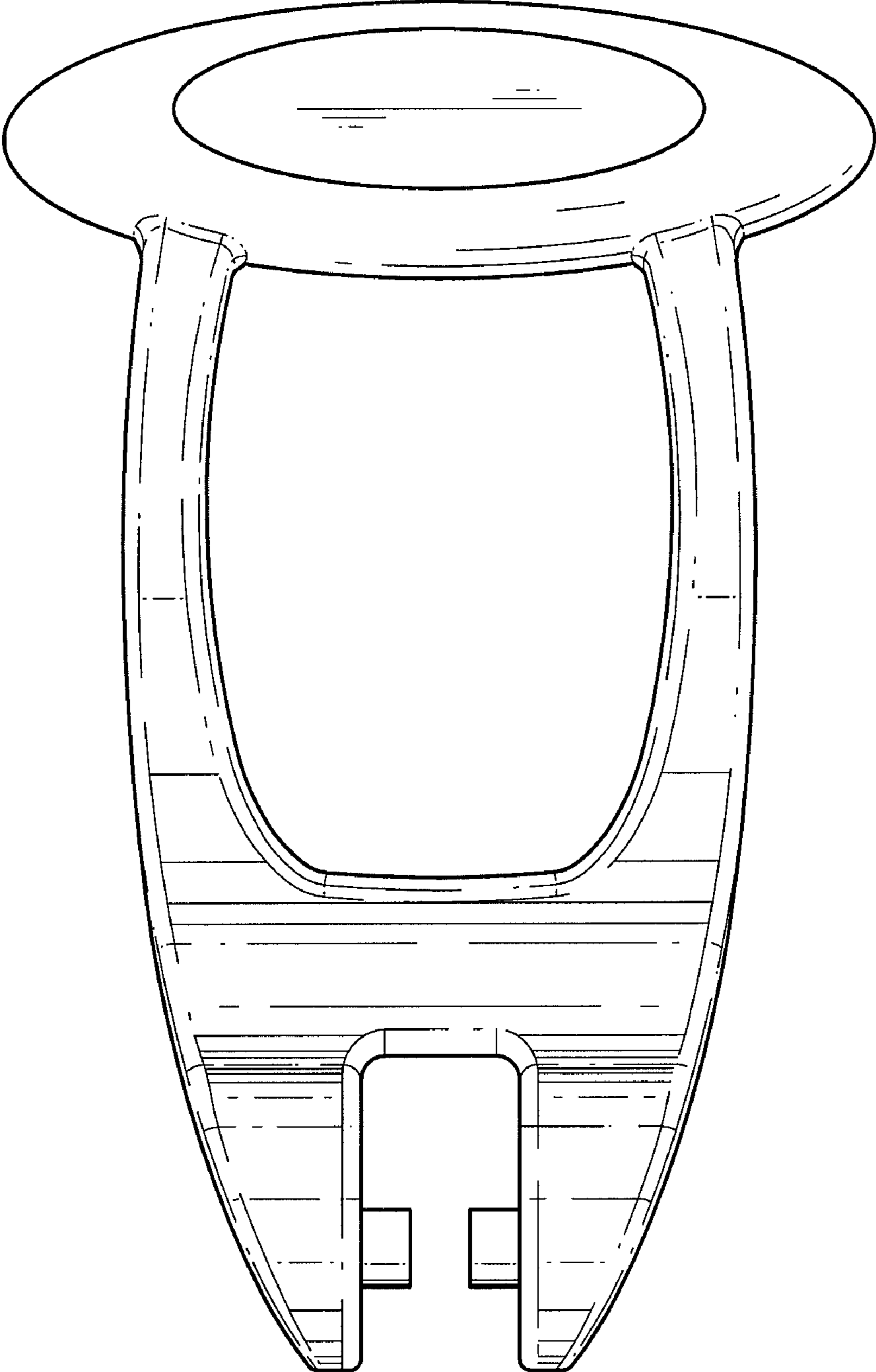
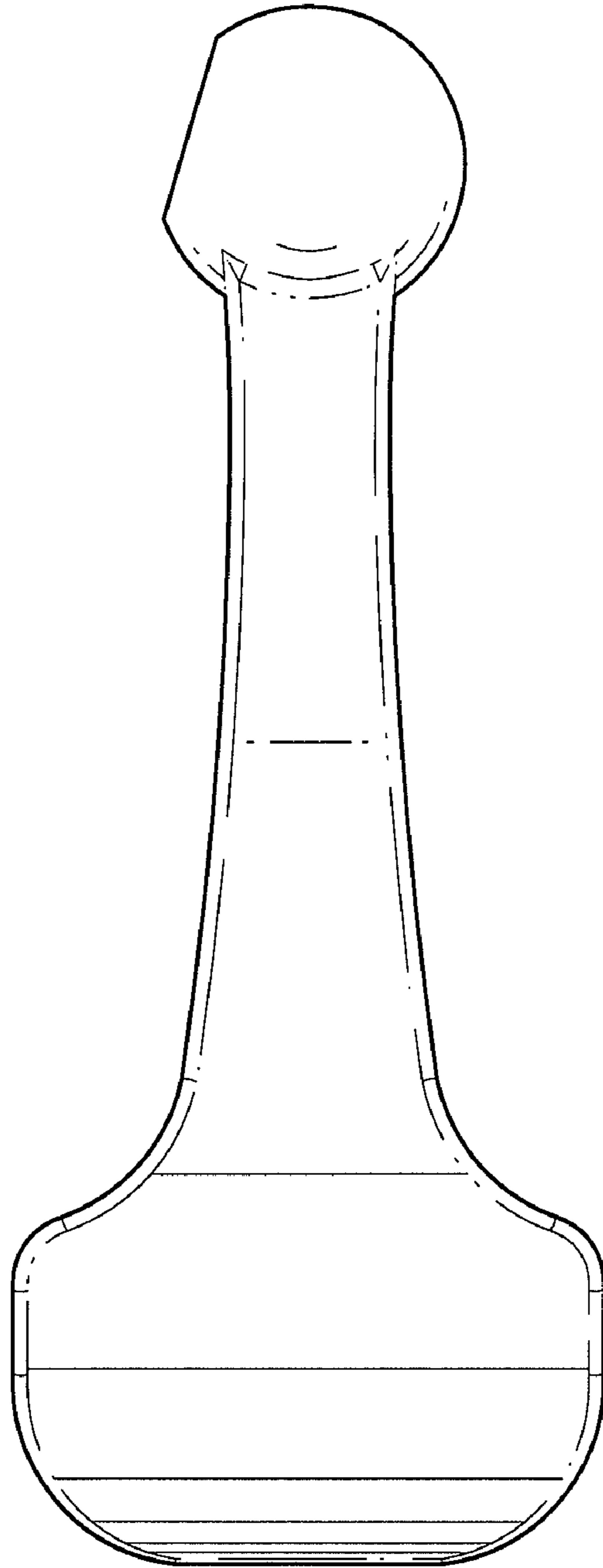


FIG. 2



*FIG. 3*

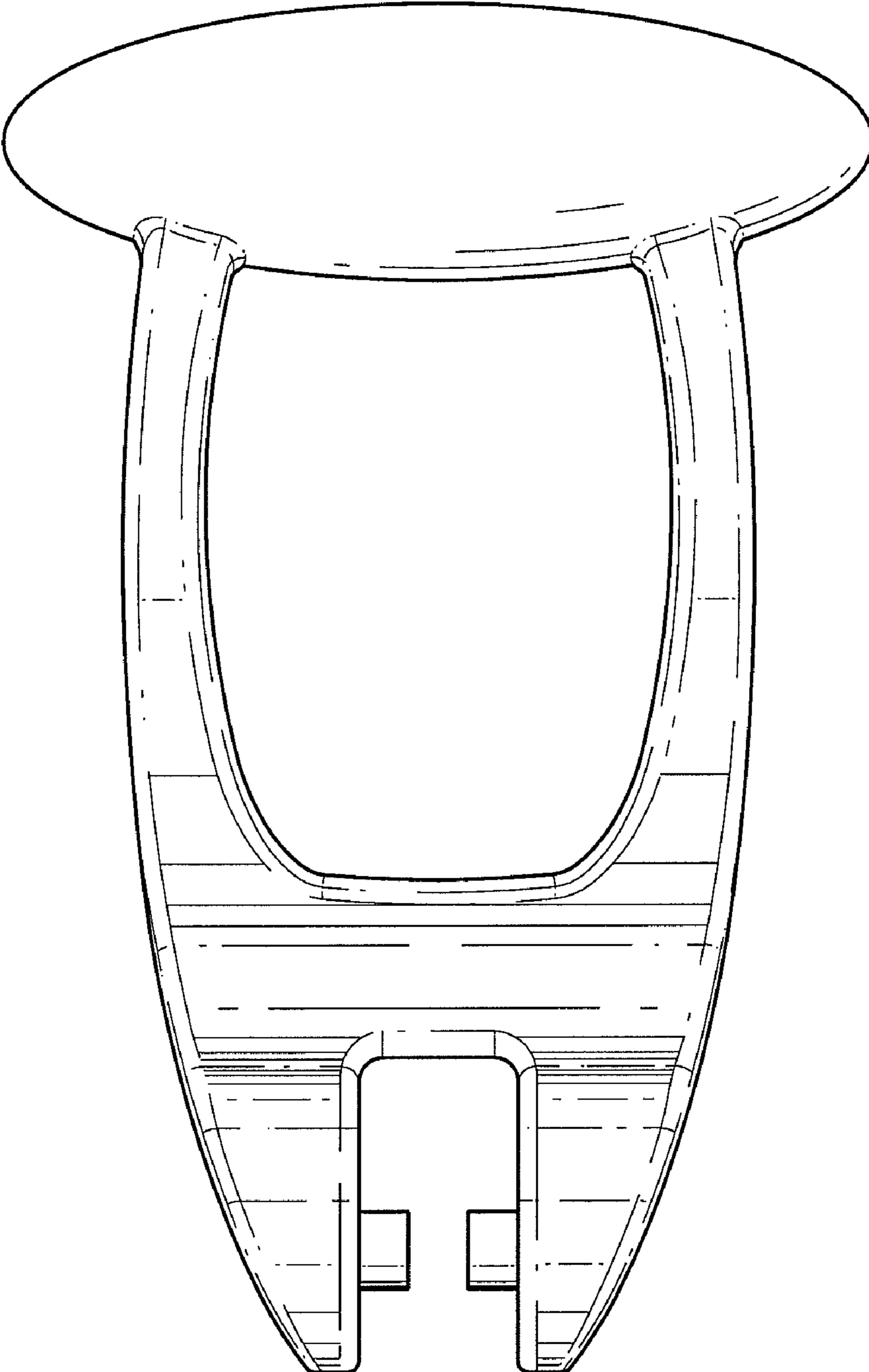
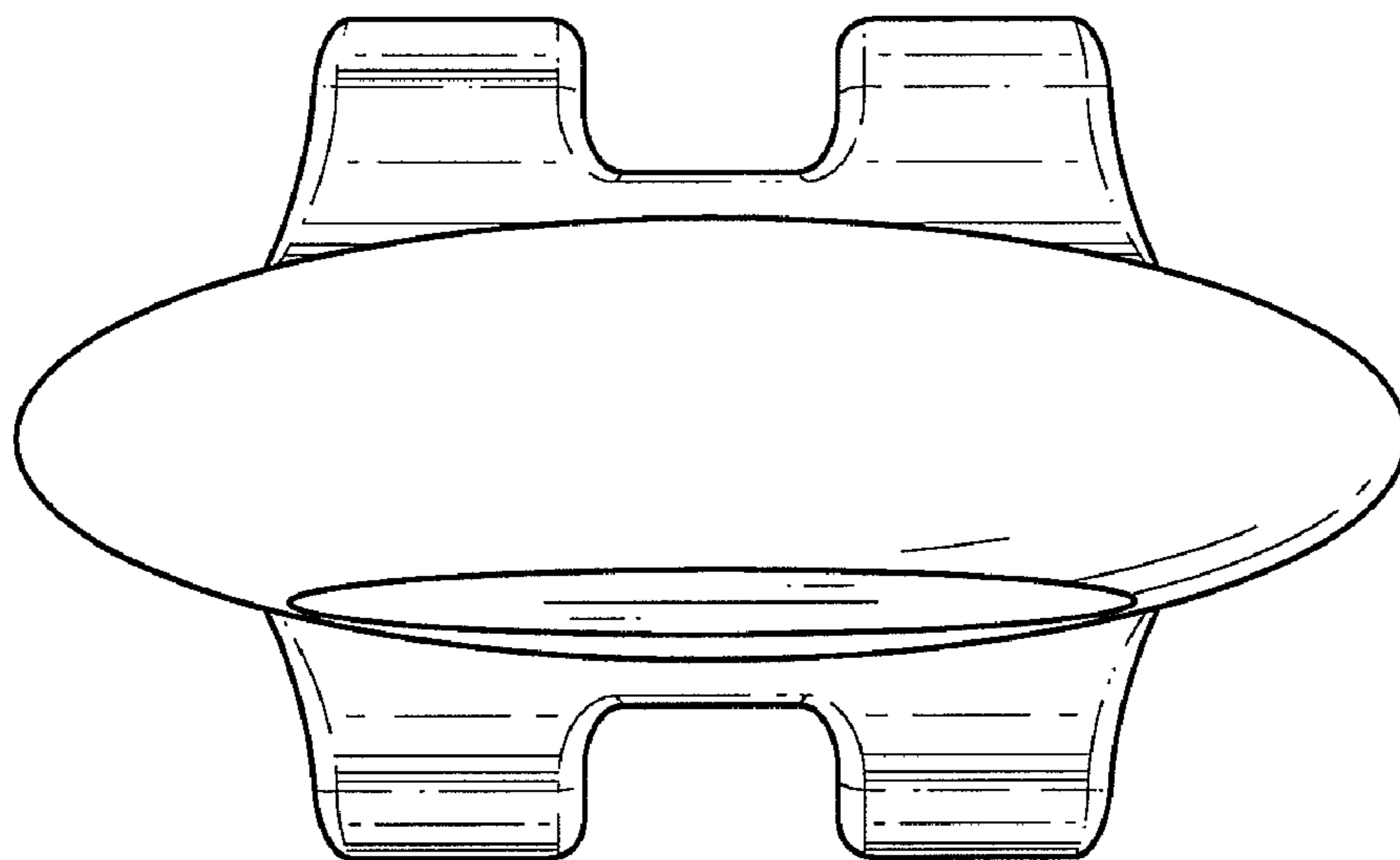
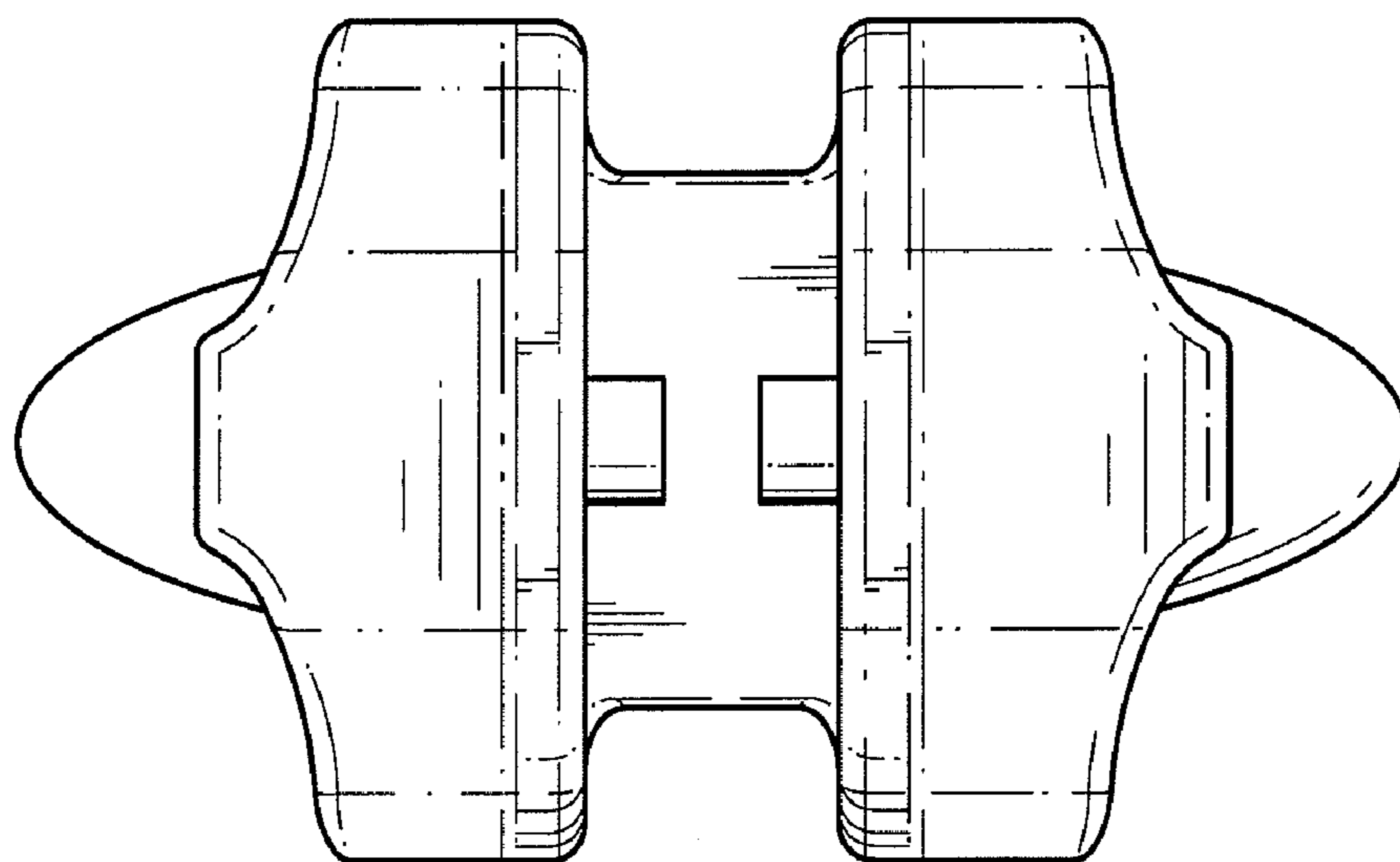


FIG. 4



*FIG. 5*



*FIG. 6*