



US00D582204S

(12) **United States Design Patent**  
**Garman**

(10) **Patent No.:** **US D582,204 S**  
(45) **Date of Patent:** **\*\* Dec. 9, 2008**

(54) **BLENDER**

(75) Inventor: **Michael Garman**, Chester, VA (US)

(73) Assignee: **Hamilton Beach Brands, Inc.**, Glen Allen, VA (US)

(\*\*) Term: **14 Years**

(21) Appl. No.: **29/299,785**

(22) Filed: **Jan. 4, 2008**

(51) **LOC (8) Cl.** ..... **31-00**

(52) **U.S. Cl.** ..... **D7/378**

(58) **Field of Classification Search** ..... D7/317-318,  
D7/356, 376-386, 412-415; 99/348, 509-511;  
222/465.1; 241/30-37.5, 101.01-101.2,  
241/166-169.1, 274-278.2, 285.1-285.3,  
241/291, 292.1; 366/64-67, 98, 192, 197-211,  
366/205-206, 241-254, 279-292, 341-343  
See application file for complete search history.

(56) **References Cited**

**U.S. PATENT DOCUMENTS**

2,801,545	A	8/1957	Schottle	
D226,250	S *	1/1973	Steinkamp	D7/374
3,722,831	A	3/1973	Bialas et al.	
4,256,407	A	3/1981	Seiderman	
D293,873	S *	1/1988	Maass	D7/384
D296,976	S *	8/1988	Maass	D7/384
D300,799	S *	4/1989	Viancin	D7/376
4,911,557	A	3/1990	Dormer et al.	
D323,763	S *	2/1992	Barrault	D7/384
D345,078	S *	3/1994	Gotzsch	D7/384
D367,800	S	3/1996	Littmann	
D391,801	S	3/1998	Saltet	
5,875,706	A	3/1999	Borger et al.	
D413,227	S *	8/1999	Alonge et al.	D7/384
5,979,806	A	11/1999	Borger et al.	

D419,367	S *	1/2000	Kin	D7/384
6,065,861	A	5/2000	Chen	
D465,127	S	11/2002	Lee	
6,513,967	B2	2/2003	Masip et al.	
D479,666	S	9/2003	Barker	
D547,598	S *	7/2007	Hasuike	D7/356
2002/0096585	A1	7/2002	Unteregger	
2002/0176320	A1	11/2002	Wulf et al.	
2003/0193833	A1	10/2003	Wulf et al.	
2006/0153003	A1	7/2006	Sands	
2006/0176770	A1	8/2006	Sands	

\* cited by examiner

*Primary Examiner*—Caron D. Veynar

*Assistant Examiner*—Ricky Pham

(74) *Attorney, Agent, or Firm*—Panitch Schwarze Belisario & Nadel LLP

(57) **CLAIM**

The ornamental design for a blender, as shown and described.

**DESCRIPTION**

FIG. 1 is a front right perspective view of a blender in accordance with my new design;

FIG. 2 is a front elevation view of the blender shown in FIG. 1;

FIG. 3 is a rear elevation view of the blender shown in FIG. 1;

FIG. 4 is a left side elevation view of the blender shown in FIG. 1;

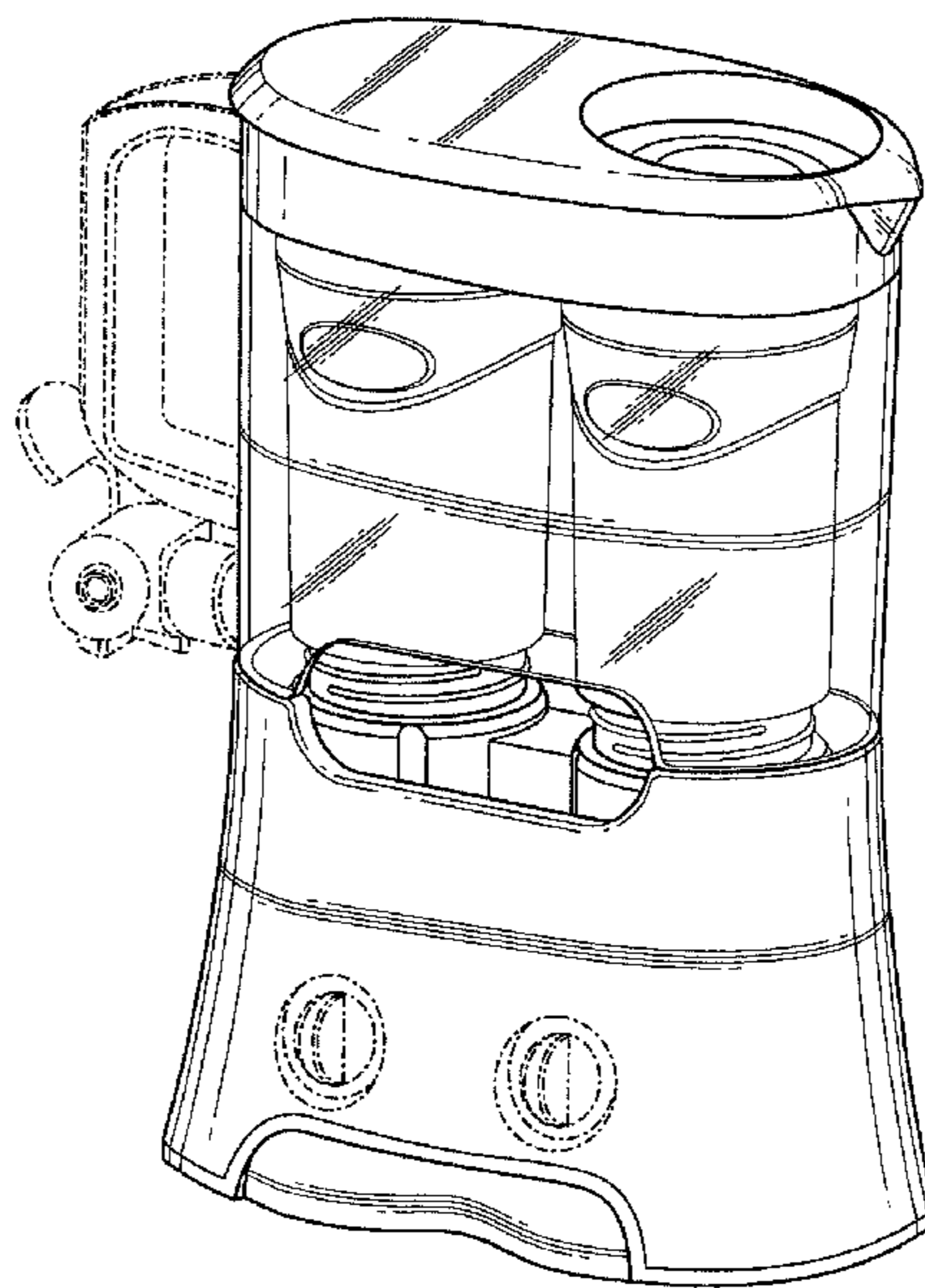
FIG. 5 is a right side elevation view of the blender shown in FIG. 1;

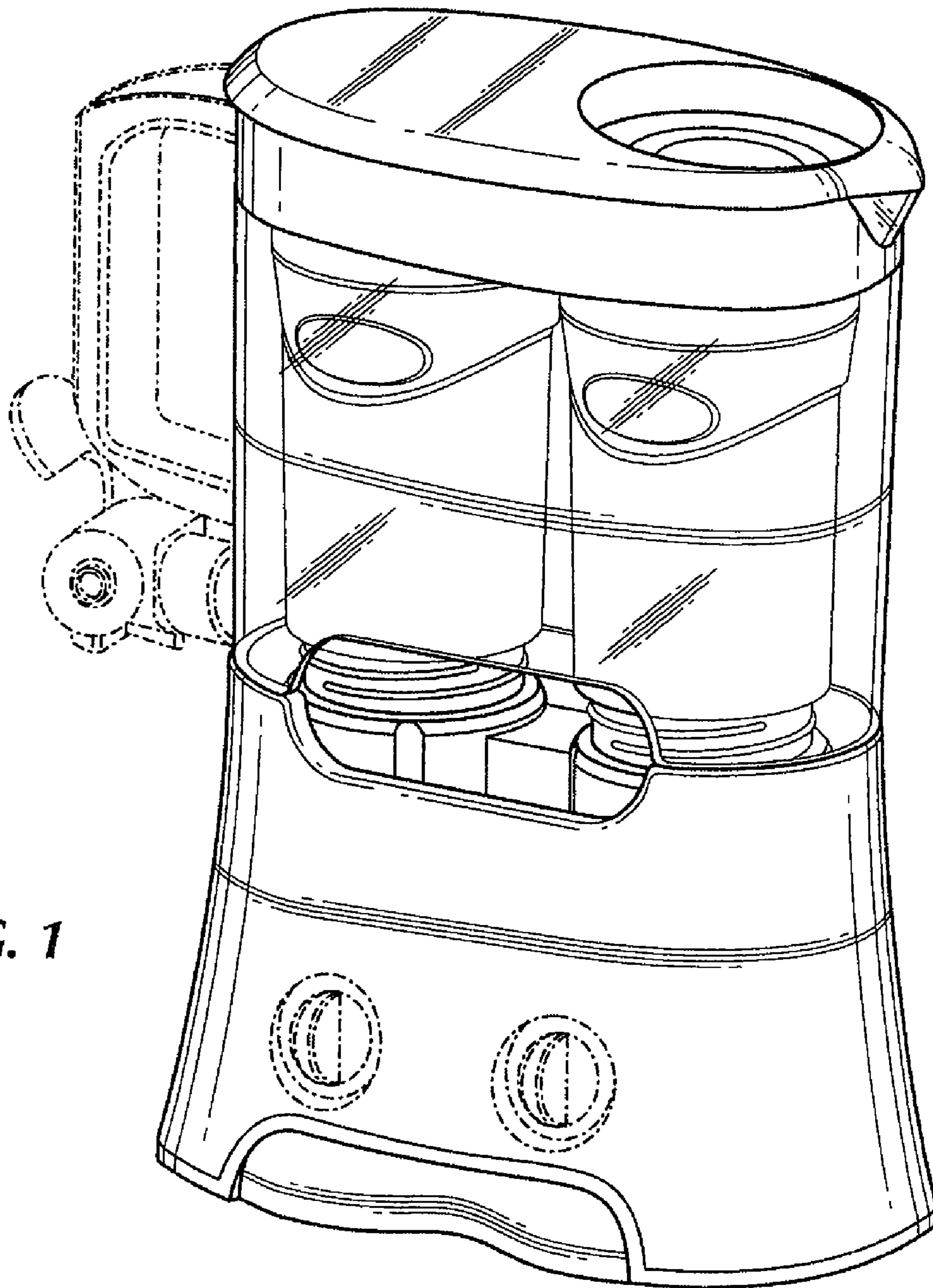
FIG. 6 is a top plan view of the blender shown in FIG. 1; and,

FIG. 7 is a bottom plan view of the blender shown in FIG. 1.

The broken lines in the figures are for illustrative purposes only and form no part of the claimed design.

**1 Claim, 5 Drawing Sheets**





**FIG. 1**

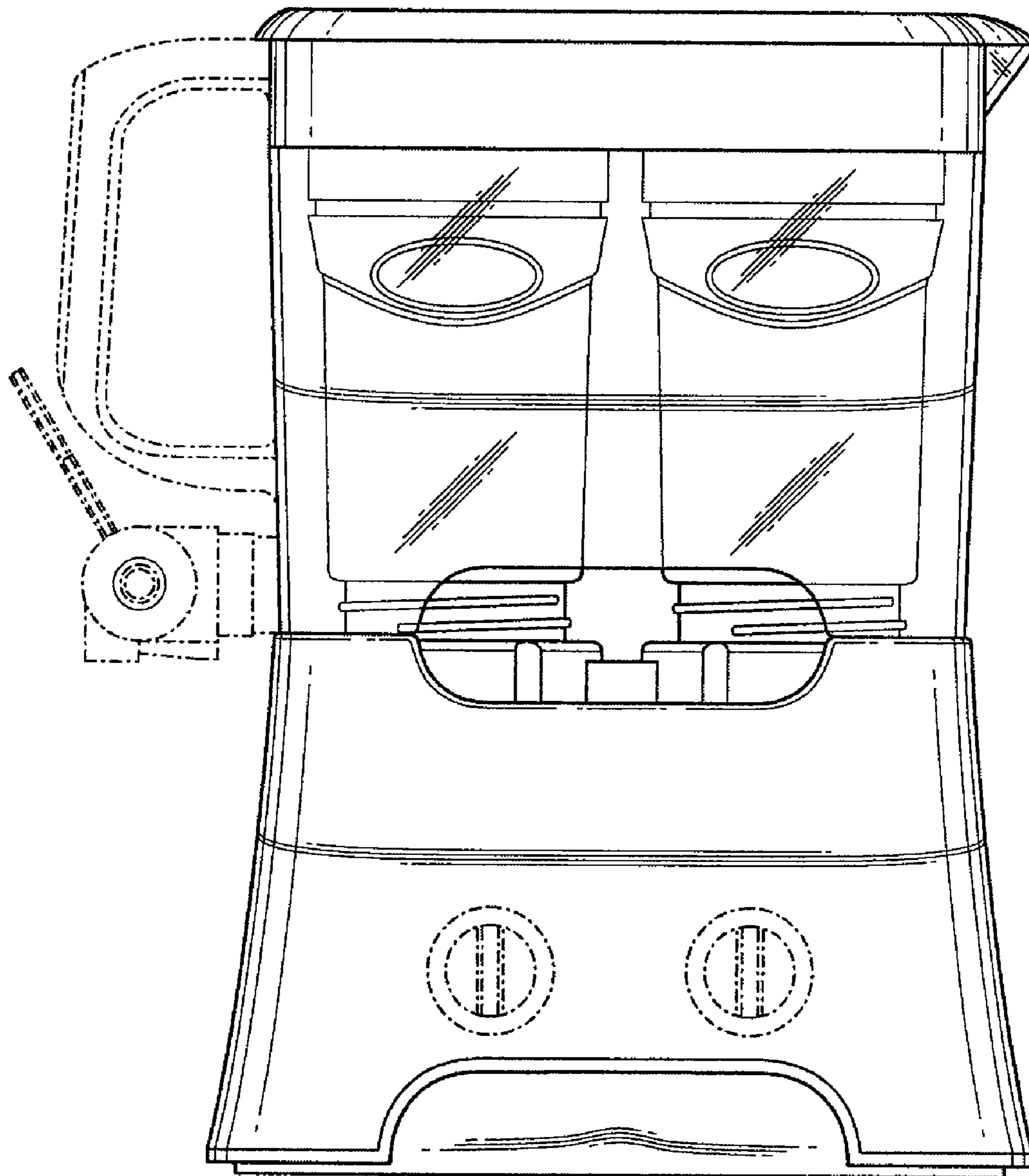
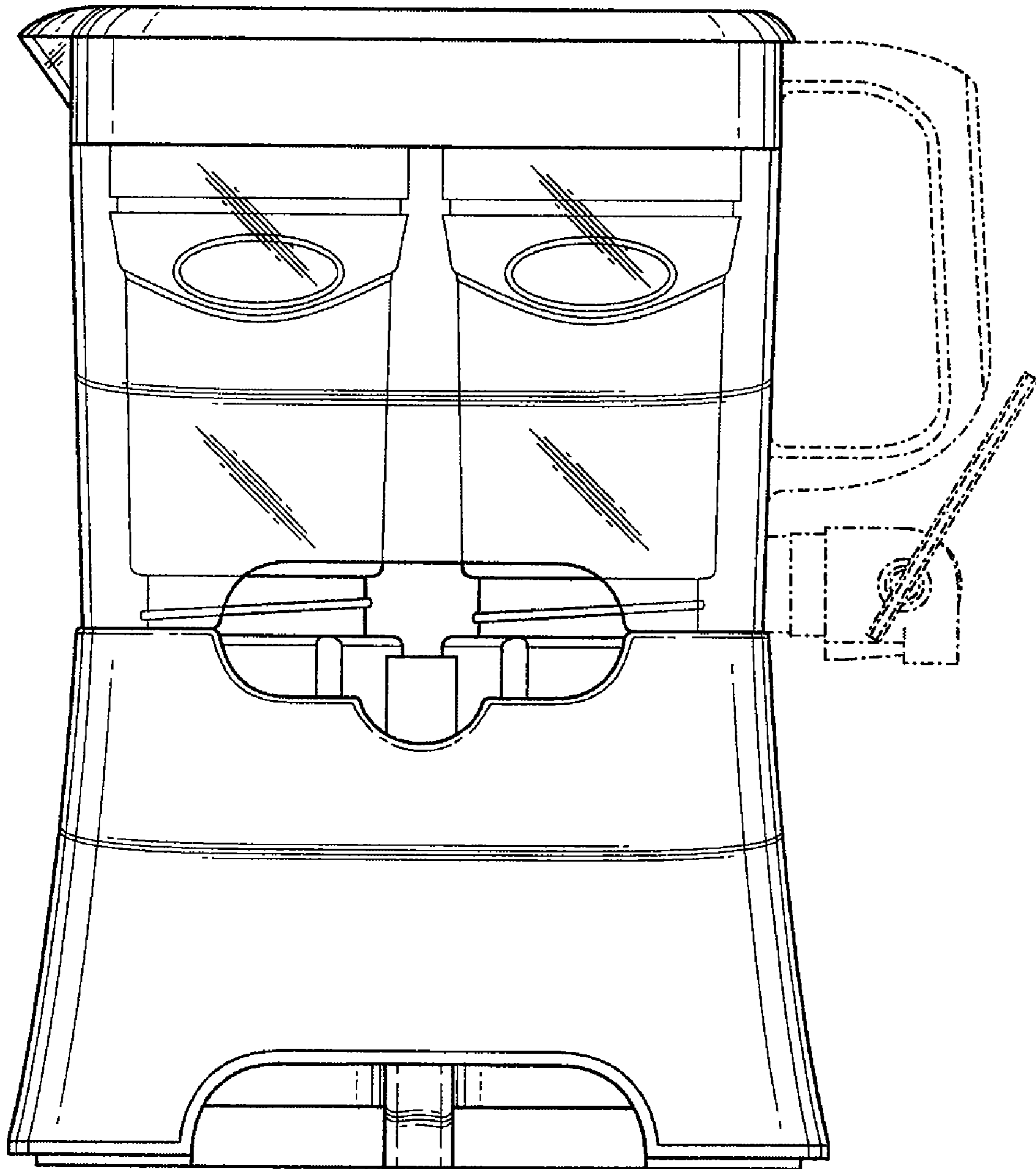
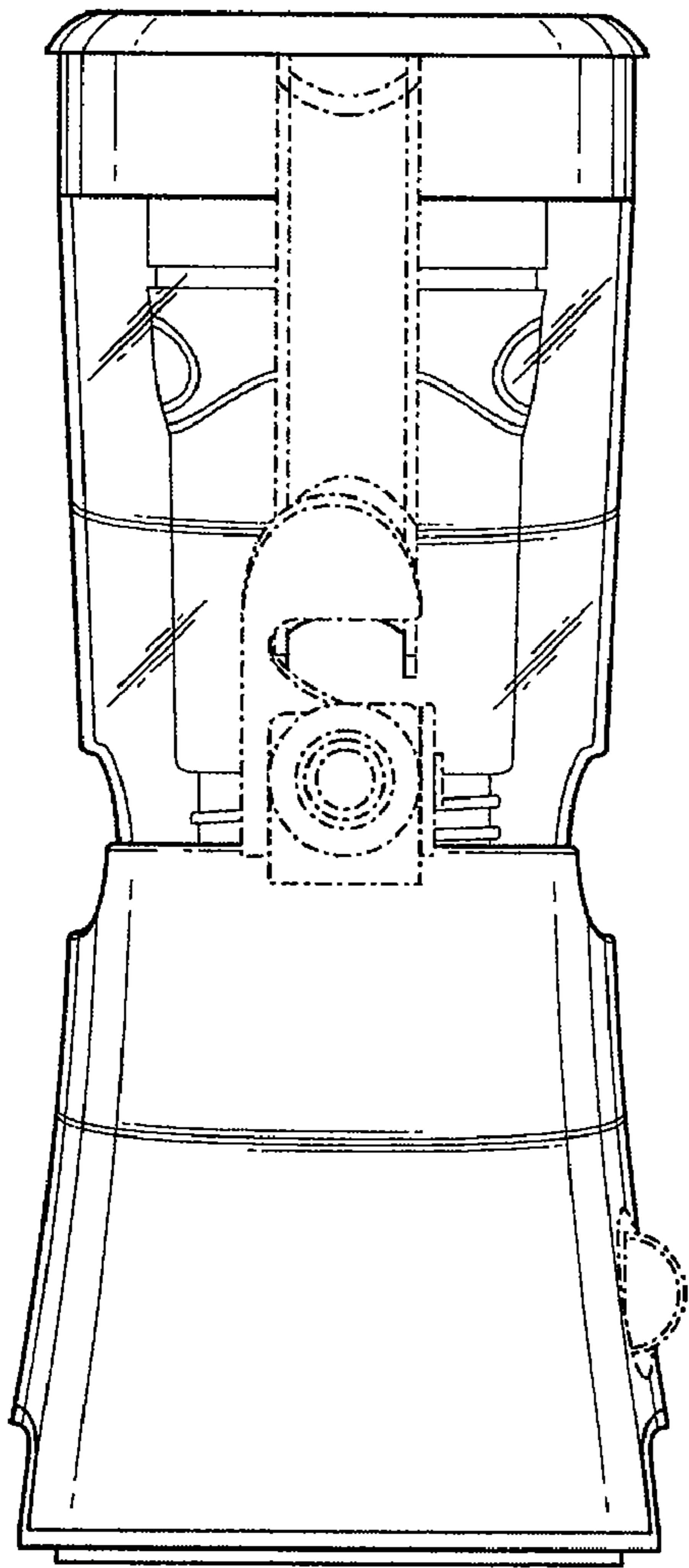


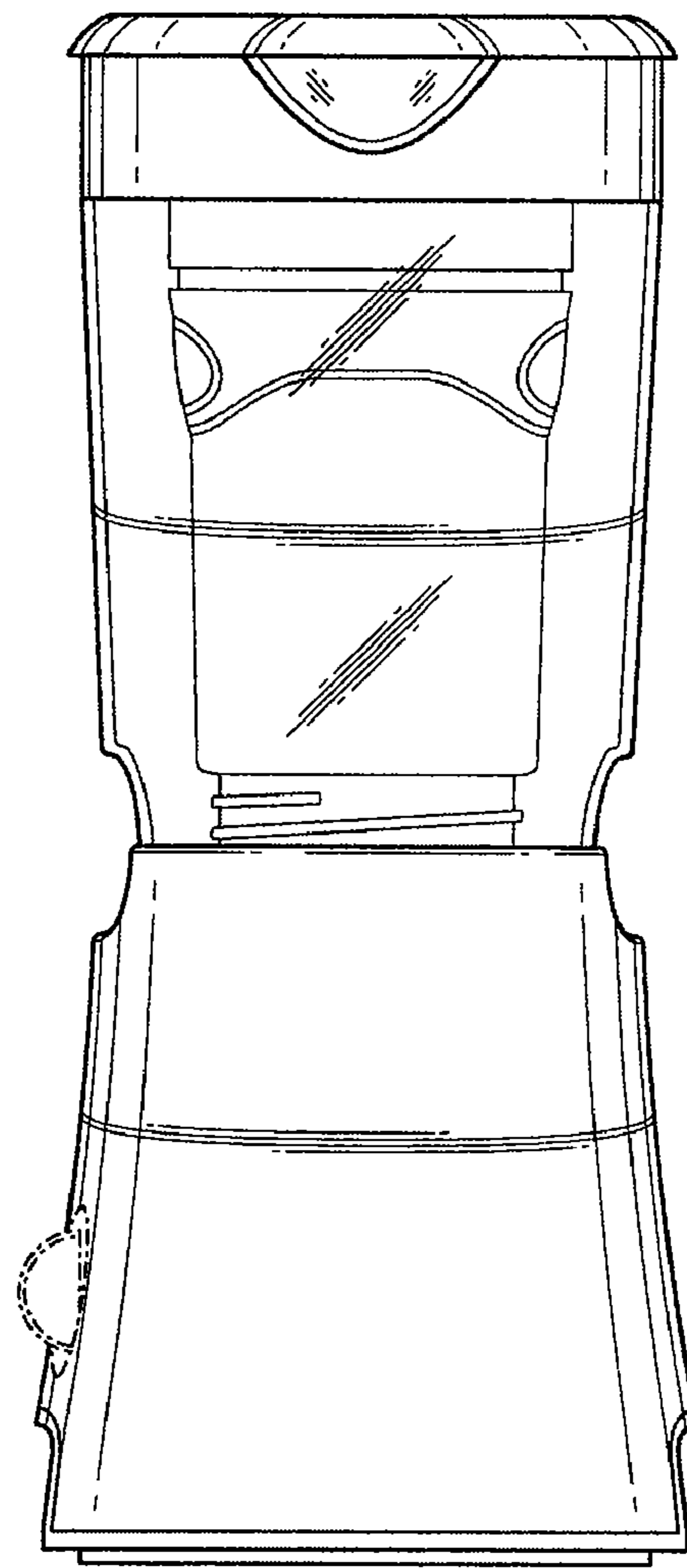
FIG. 2



**FIG. 3**



**FIG. 4**



**FIG. 5**

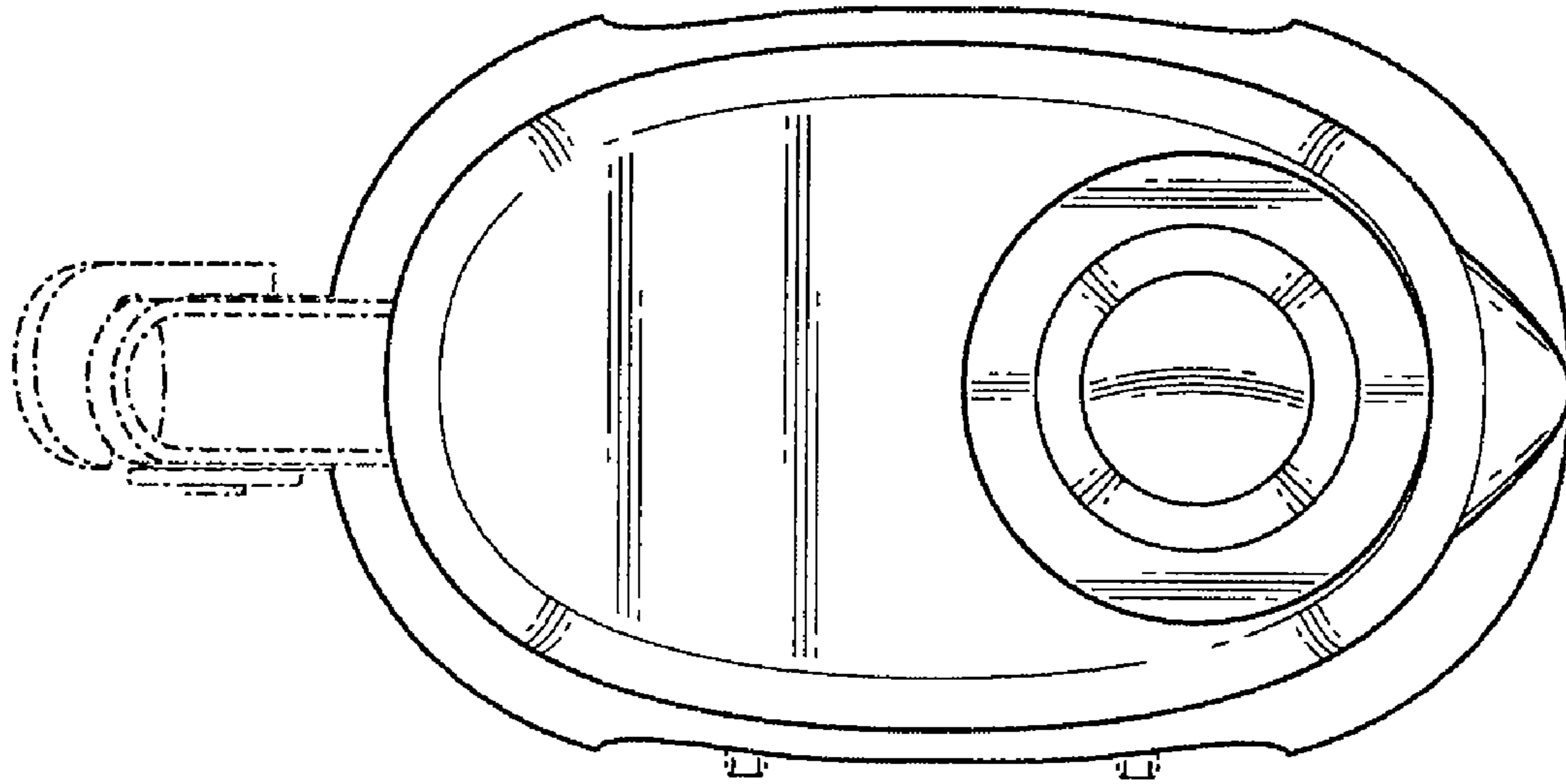


FIG. 6

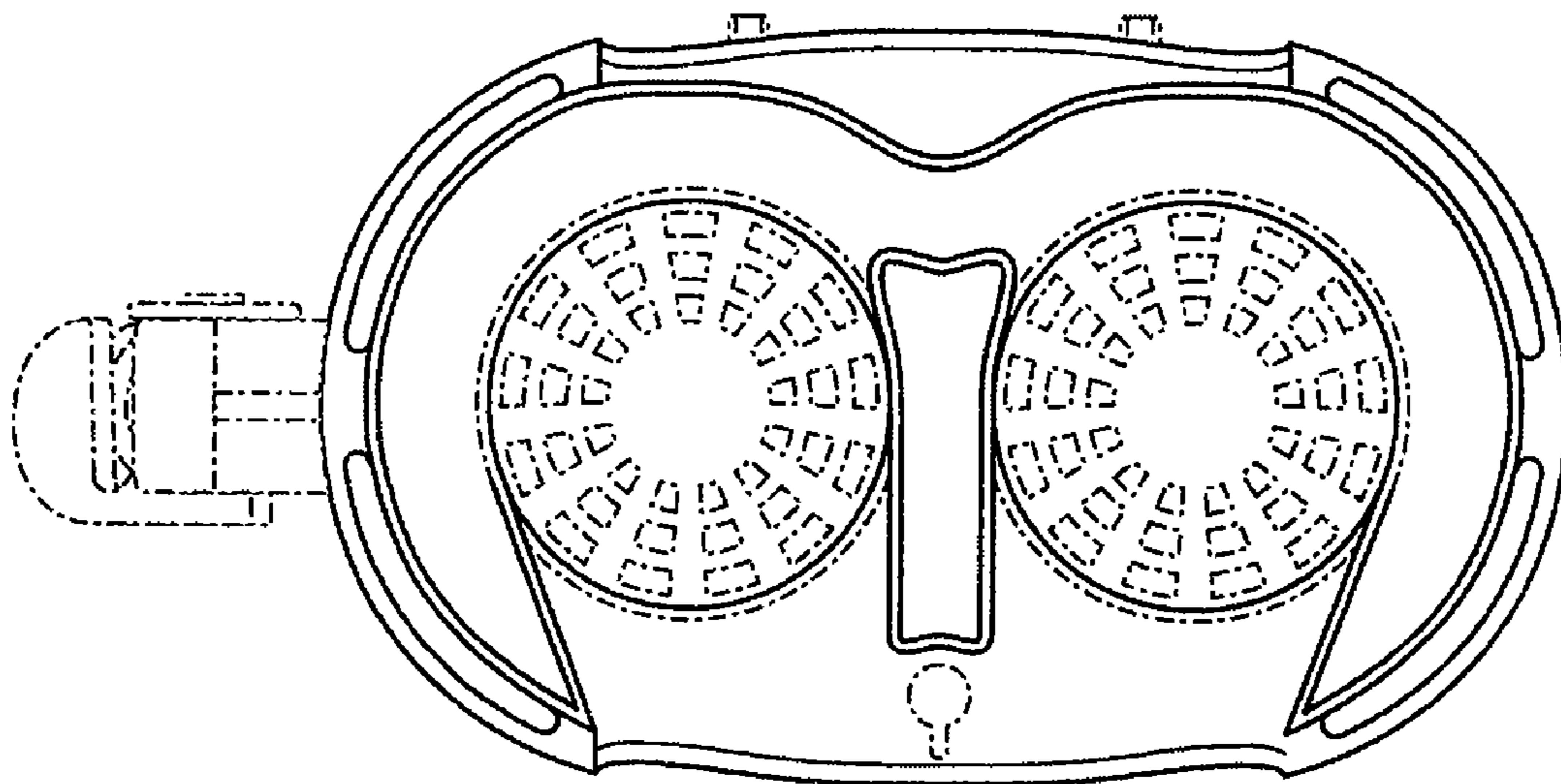


FIG. 7