



US00D582203S

(12) **United States Design Patent**
Short et al.

(10) **Patent No.:** **US D582,203 S**
(45) **Date of Patent:** **** Dec. 9, 2008**

(54) **MIXING APPARATUS**

(75) Inventors: **Ellis G. Short**, Troy, OH (US); **Joseph C. Huang**, Dayton, OH (US); **Brian R. Kadel**, Dayton, OH (US); **John C. Baron**, Tipp City, OH (US); **William C. Sanders**, Springboro, OH (US); **Howard A. Hartley**, Brookville, OH (US); **Jeffrey T. DeBord**, Worthington, OH (US); **Ryan R. Berger**, Columbus, OH (US)

(73) Assignee: **Premark FEG L.L.C.**, Wilmington, DE (US)

(**) Term: **14 Years**

(21) Appl. No.: **29/305,504**

(22) Filed: **Mar. 21, 2008**

(51) **LOC (8) Cl.** **31-00**

(52) **U.S. Cl.** **D7/376**

(58) **Field of Classification Search** D7/317-318, D7/356, 376-386, 412-415, 665; 99/348, 99/509-511; 222/465.1; 241/30-37.5, 101.01-101.2, 241/166-169.1, 274-278.2, 285.1-285.3, 241/291, 292.1; 366/64-67, 98, 192, 197-211, 366/203-207, 241-254, 279-292, 341-347
See application file for complete search history.

(56) **References Cited**

U.S. PATENT DOCUMENTS

D111,616 S * 10/1938 Rosengren D7/379
2,306,245 A * 12/1942 Duke 366/98
D163,423 S * 5/1951 Schimanski D7/379
5,348,393 A * 9/1994 Pappas, Jr. 366/207
D362,994 S * 10/1995 Ratermann et al. D7/376
5,533,806 A * 7/1996 Veltrop et al. 366/347

5,860,738 A * 1/1999 Brinkman 366/197
6,068,398 A * 5/2000 Lin 366/347
D459,145 S * 6/2002 Short D7/379
D468,581 S * 1/2003 Short D7/379
D482,564 S * 11/2003 Short D7/379
D490,271 S * 5/2004 Short et al. D7/412
6,883,959 B2 * 4/2005 Donthnier et al. 366/203
7,014,354 B2 * 3/2006 Donthnier et al. 366/203
D540,113 S * 4/2007 Short et al. D7/376
7,273,315 B2 * 9/2007 Huang et al. 366/206
D564,297 S * 3/2008 Short et al. D7/412
D564,298 S * 3/2008 Short et al. D7/412
7,384,187 B2 * 6/2008 Blackburn et al. 366/206
7,387,430 B2 * 6/2008 Short et al. 366/197
2002/0181322 A1 * 12/2002 Brunswick et al. 366/197
2004/0022124 A1 * 2/2004 Yoshioka 366/347
2004/0120216 A1 * 6/2004 Donthnier et al. 366/203
2004/0208082 A1 * 10/2004 Huang et al. 366/206
2005/0141340 A1 * 6/2005 Donthnier et al. 366/207

* cited by examiner

Primary Examiner—Caron Veynar

Assistant Examiner—Ricky Pham

(74) *Attorney, Agent, or Firm*—Thompson Hine LLP

(57) **CLAIM**

The ornamental design for a mixing apparatus, as shown.

DESCRIPTION

FIG. 1 is a side view of a mixing apparatus showing our new design.

FIG. 2 is another side view of the mixing apparatus of FIG. 1;

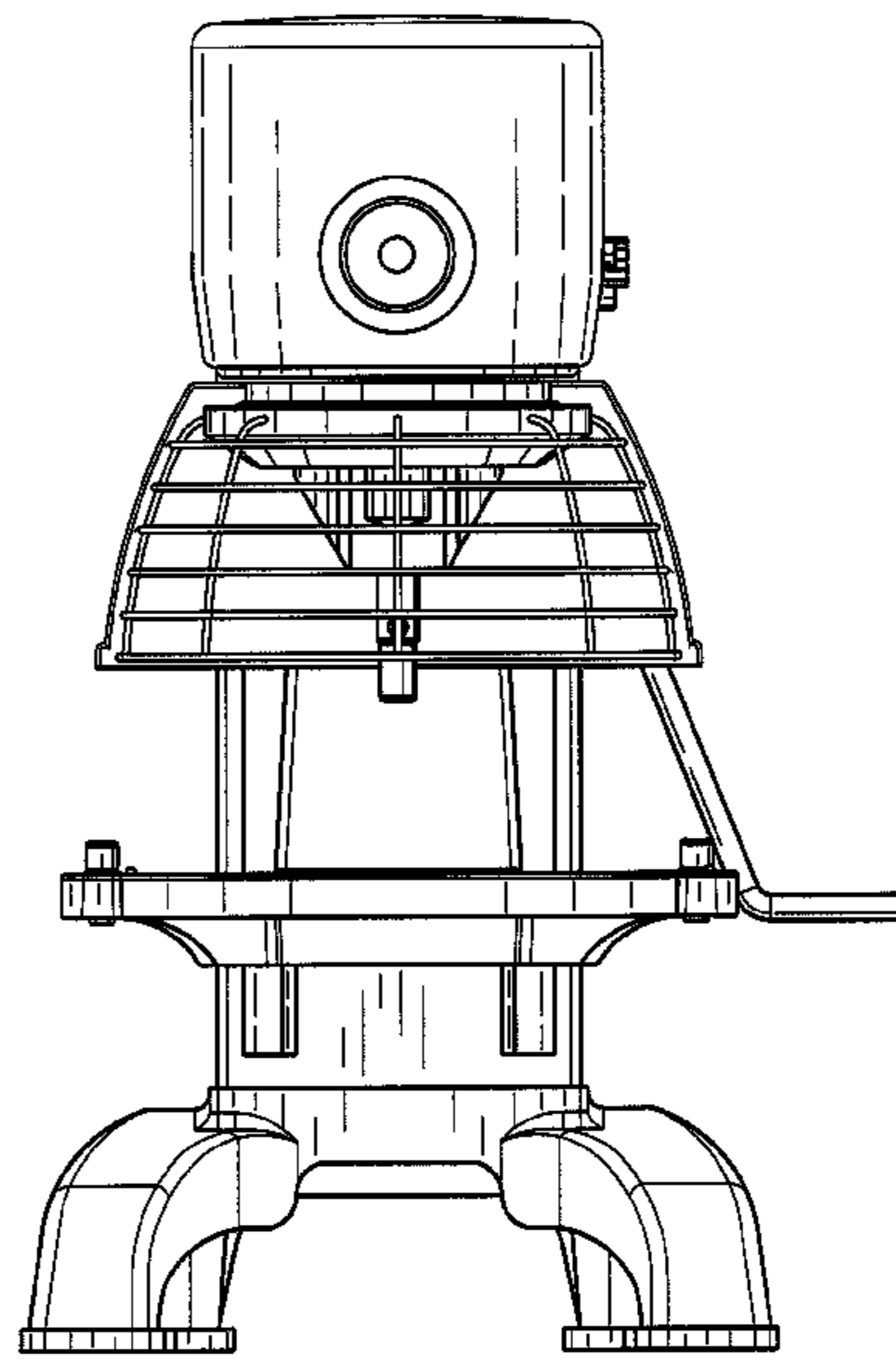
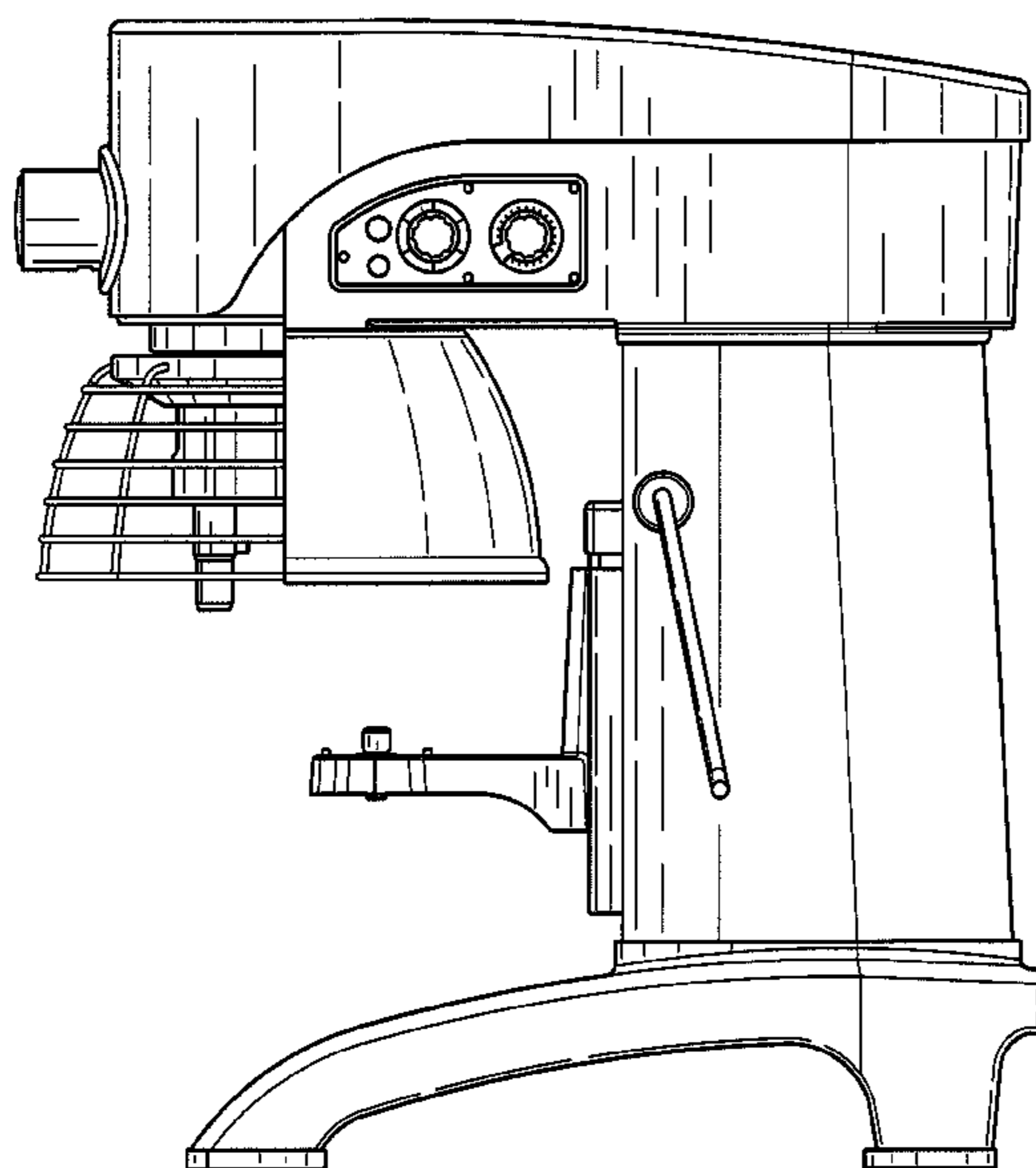
FIG. 3 is a front view of the mixing apparatus of FIG. 1;

FIG. 4 is a rear view of the mixing apparatus of FIG. 1;

FIG. 5 is a top view of the mixing apparatus of FIG. 1; and,

FIG. 6 is a bottom view of the mixing apparatus of FIG. 1.

1 Claim, 6 Drawing Sheets



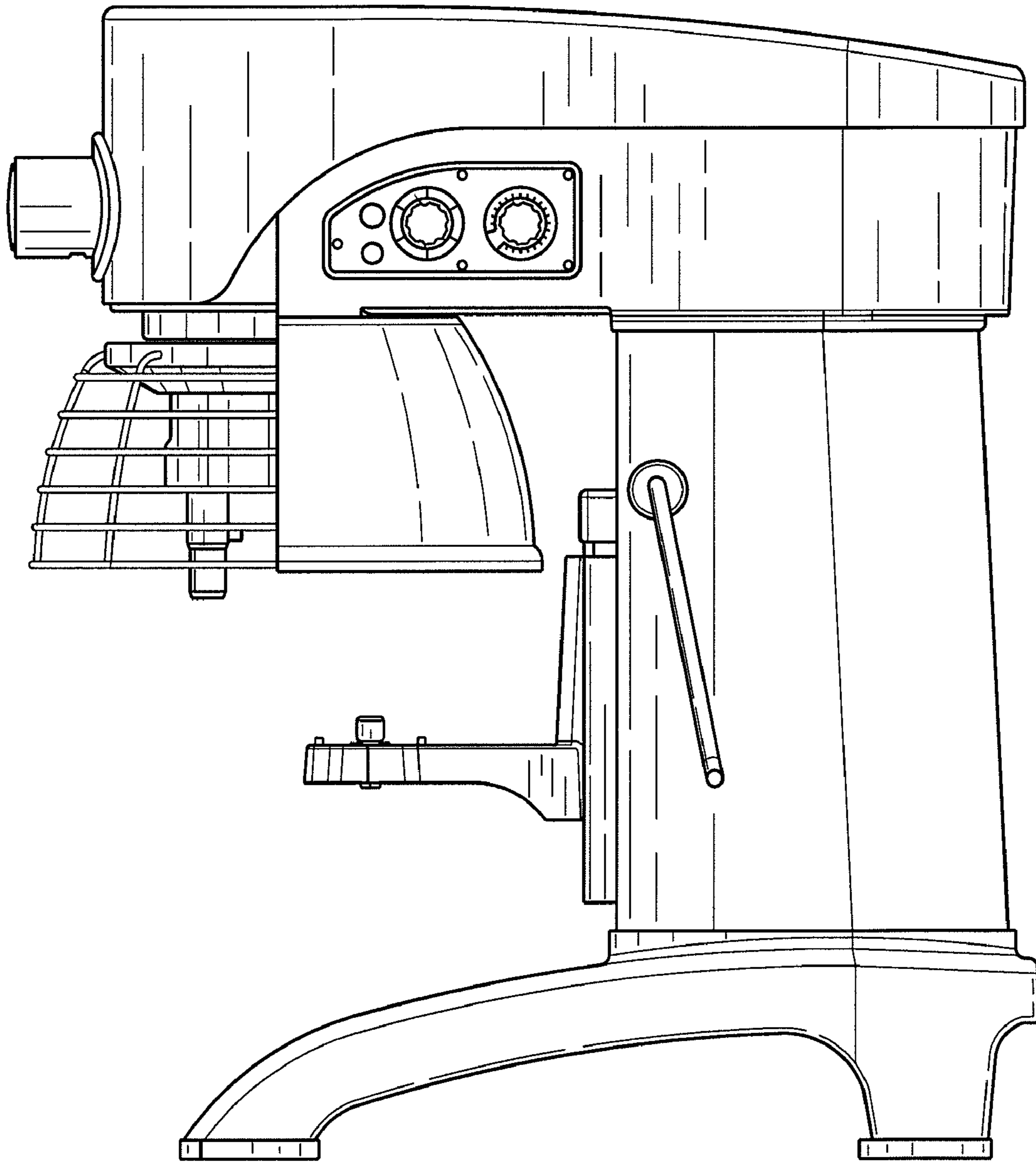


Fig. 1

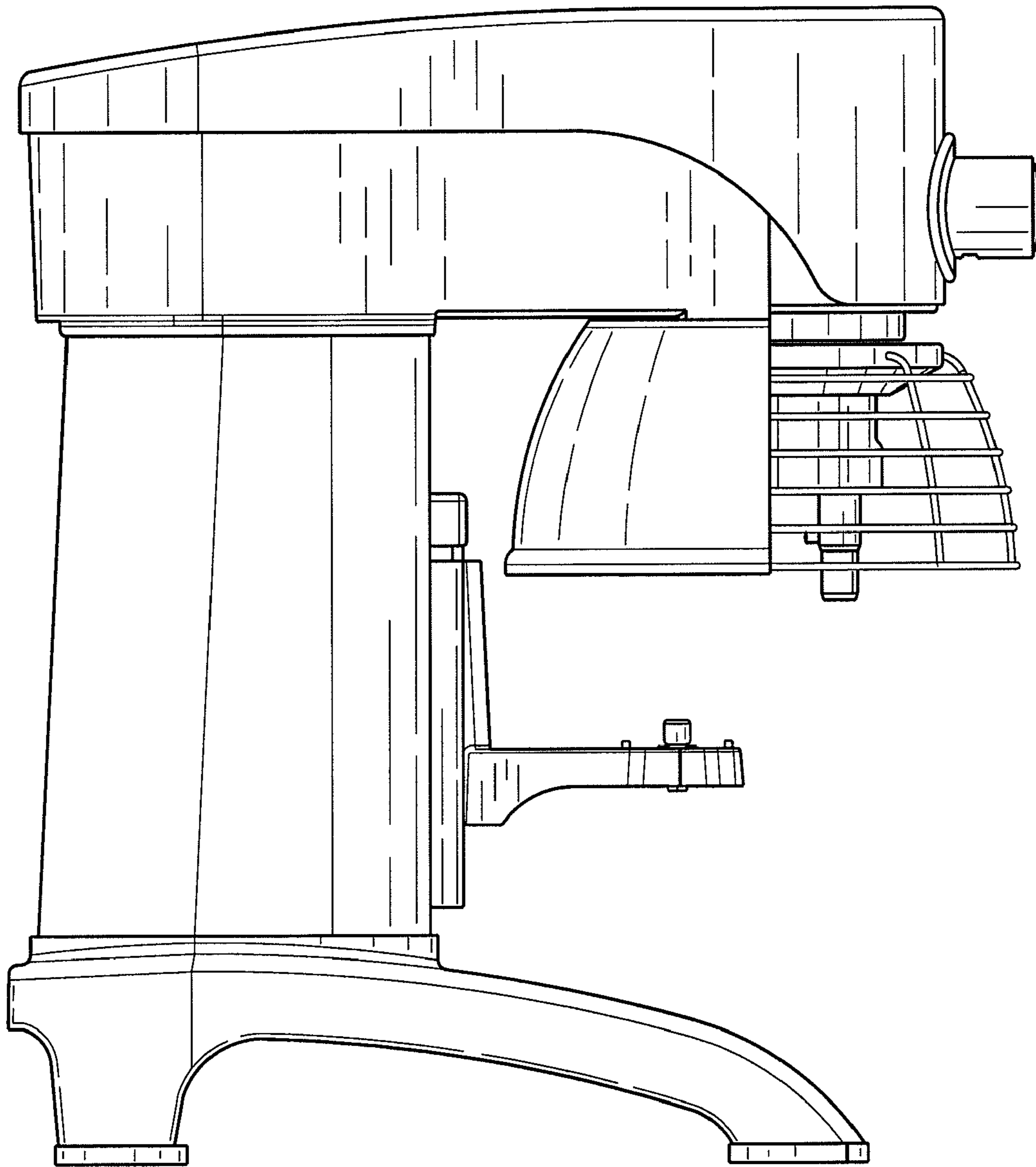


Fig. 2

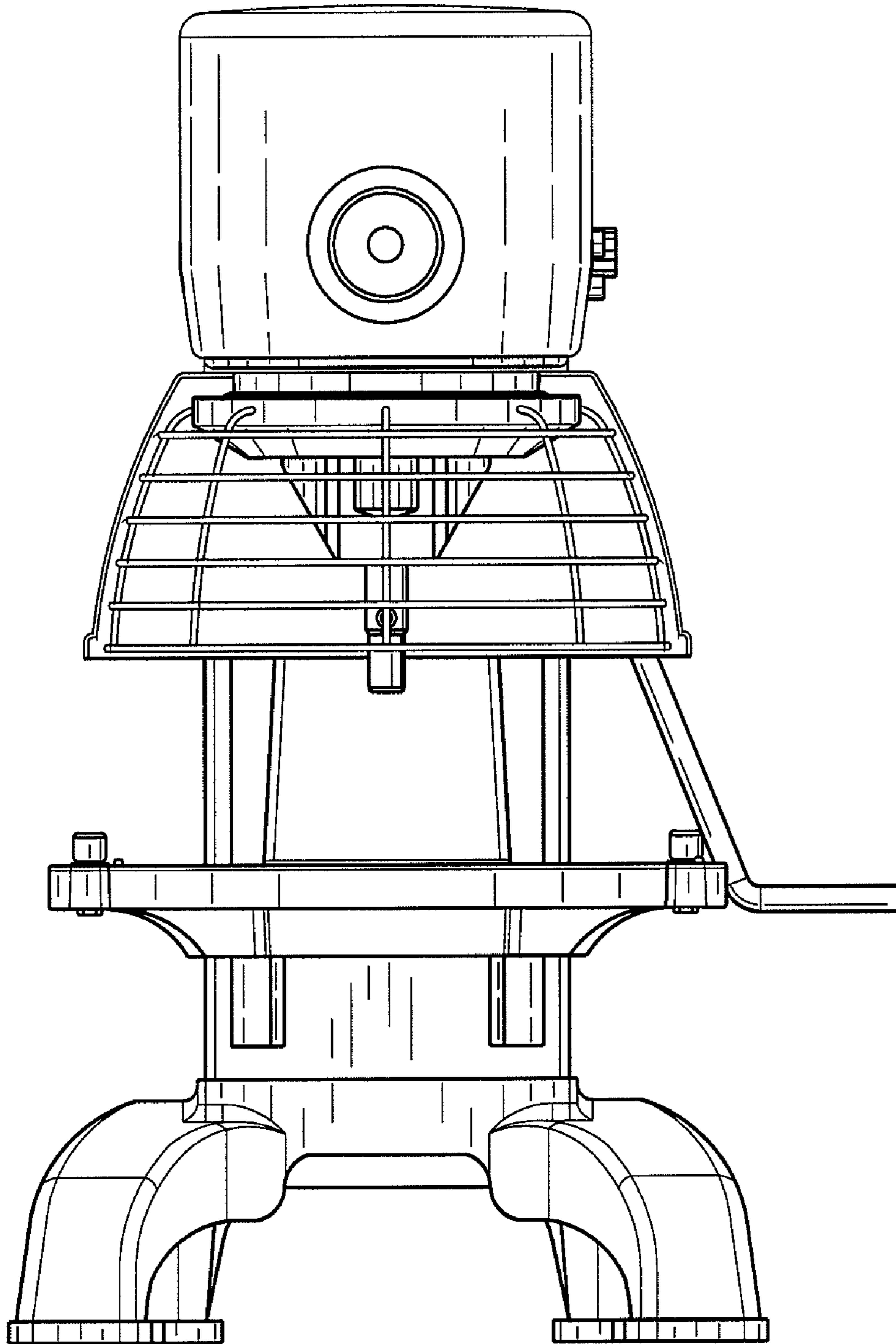


Fig. 3

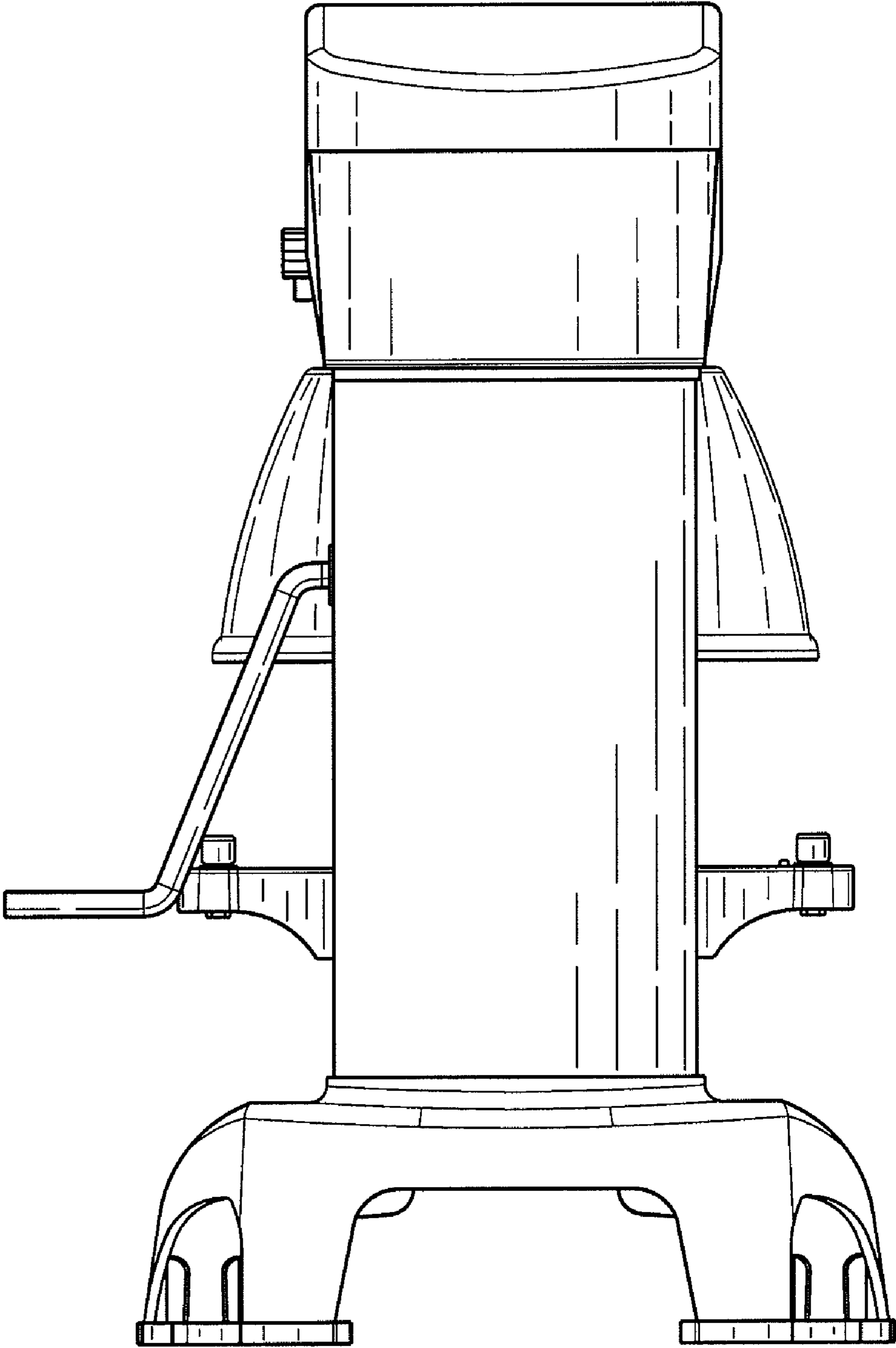


Fig. 4

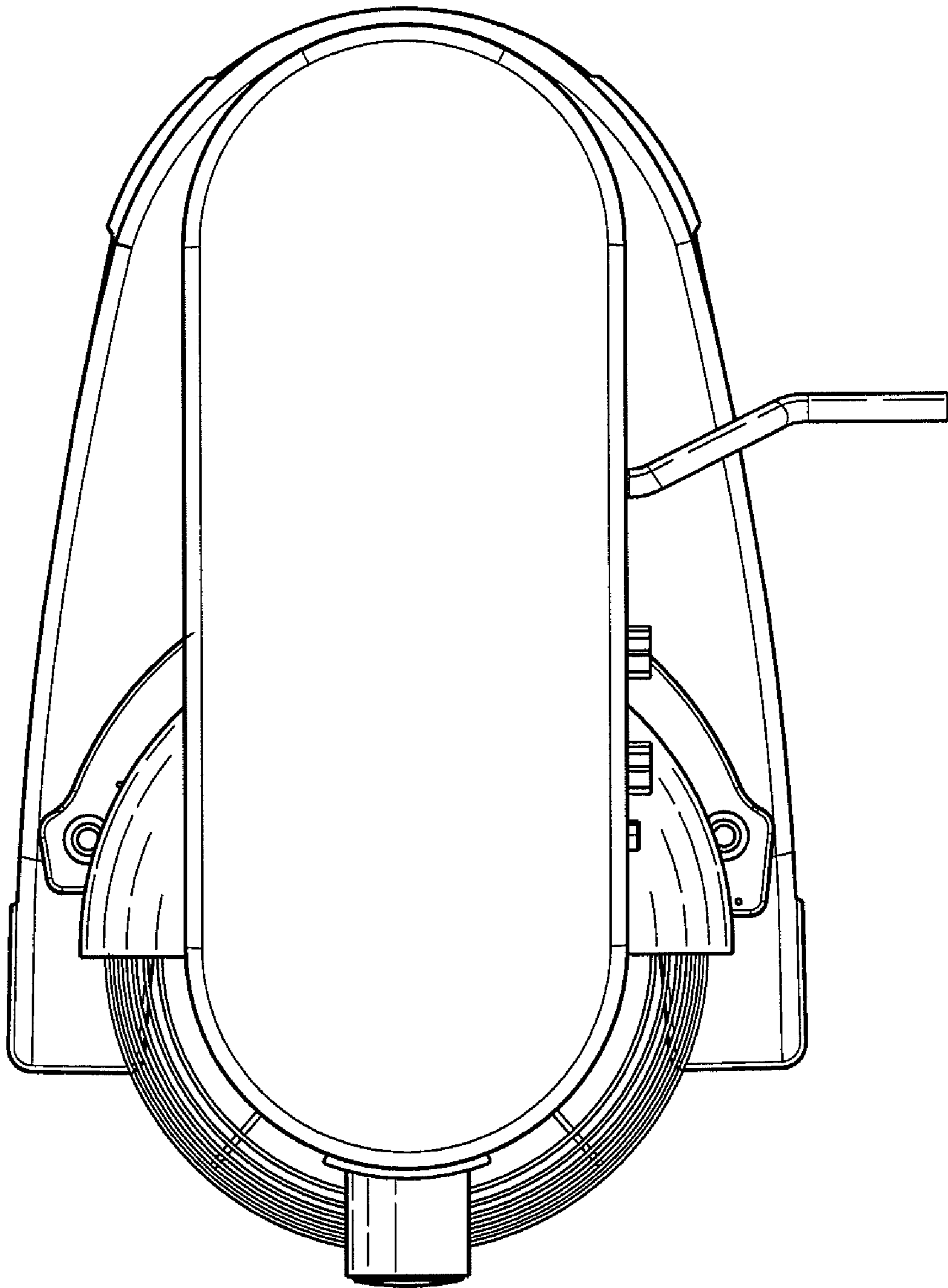


Fig. 5

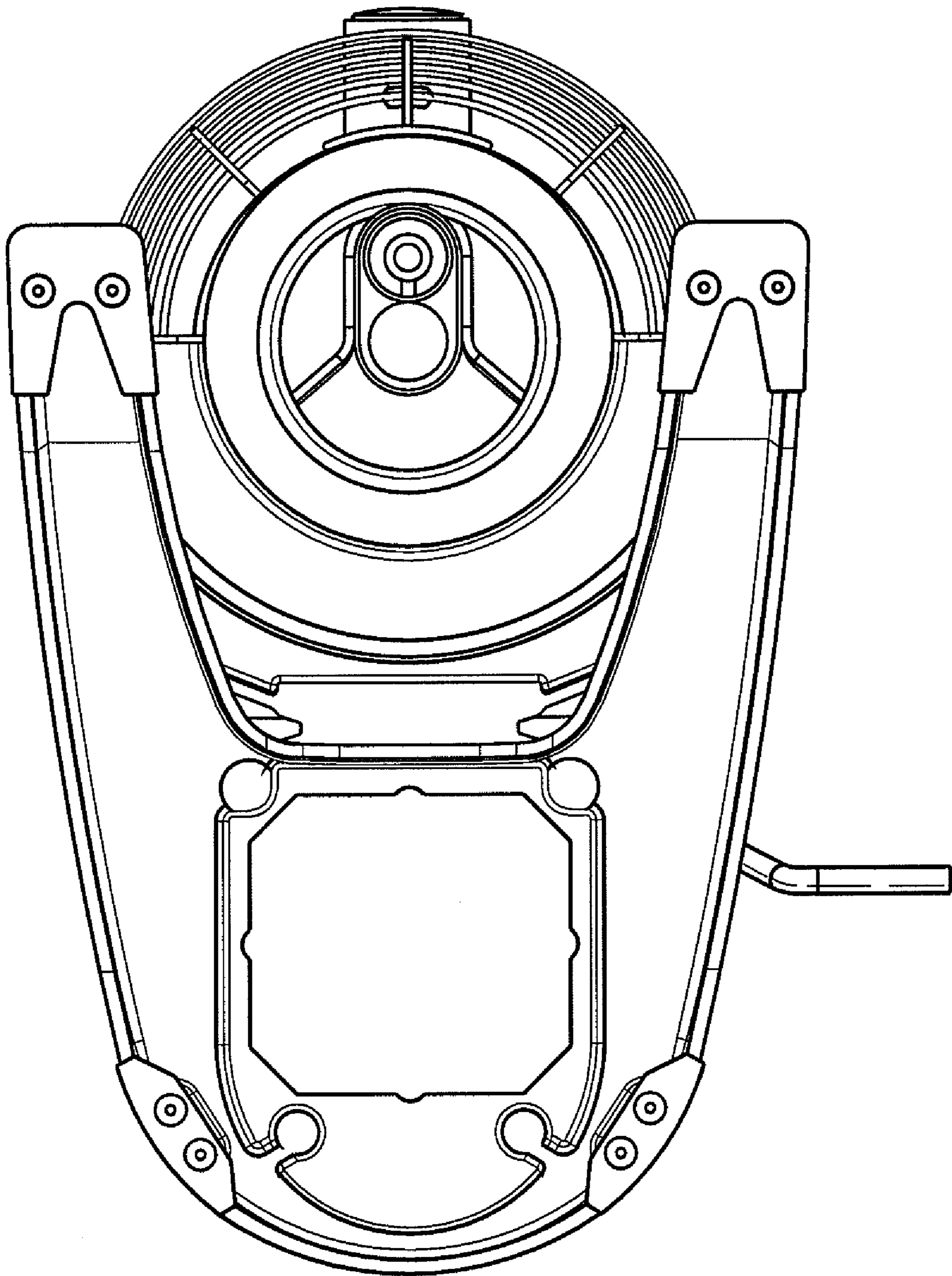


Fig. 6