



US00D582202S

(12) **United States Design Patent**
Gerlach

(10) **Patent No.:** **US D582,202 S**
(45) **Date of Patent:** **** Dec. 9, 2008**

(54) **FRYING PAN**

(75) Inventor: **Thomas Gerlach**, Motzingen (DE)

(73) Assignee: **Fissler GmbH**, Idar-Oberstein (DE)

(**) Term: **14 Years**

(21) Appl. No.: **29/263,361**

(22) Filed: **Jul. 21, 2006**

(30) **Foreign Application Priority Data**

Jan. 23, 2006 (EM) 000467626

(51) **LOC (8) Cl.** **07-02**

(52) **U.S. Cl.** **D7/361**

(58) **Field of Classification Search** D7/323,
D7/337, 352-361, 365, 378-379, 383-384,
D7/391-396.1, 402, 542-543, 545, 560;
99/140 R, 324, 339, 345, 403, 422, 425, 445;
126/390.1; 219/620-622, 725-730; 220/203.01,
220/573.1-574, 769, 912; 222/146.1, 572
See application file for complete search history.

(56) **References Cited**

U.S. PATENT DOCUMENTS

2,534,407 A * 12/1950 Bramberry, Jr. 126/390.1
D283,482 S * 4/1986 Durand D7/361
D366,181 S * 1/1996 Rossiaud D7/361
D372,395 S * 8/1996 Candianides D7/361

D373,287 S * 9/1996 Antonio D7/361
D376,723 S * 12/1996 Asner D7/359
D377,438 S * 1/1997 Brunianyn D7/361
D377,883 S * 2/1997 Candianides D7/361
D392,840 S * 3/1998 Rae D7/402
D431,151 S * 9/2000 Brunianyn D7/359
D470,716 S * 2/2003 Kloppsteck D7/361
D547,599 S * 7/2007 Gerlach D7/361
D562,060 S * 2/2008 Kloppsteck D7/361

* cited by examiner

Primary Examiner—Caron Veynar

Assistant Examiner—Ricky Pham

(74) *Attorney, Agent, or Firm*—Foley & Lardner LLP

(57) **CLAIM**

The ornamental design for a frying pan, as shown.

DESCRIPTION

FIG. 1 is a right side elevational view of a frying pan showing my new design;

FIG. 2 is left side elevational view thereof;

FIG. 3 is a front elevational view thereof;

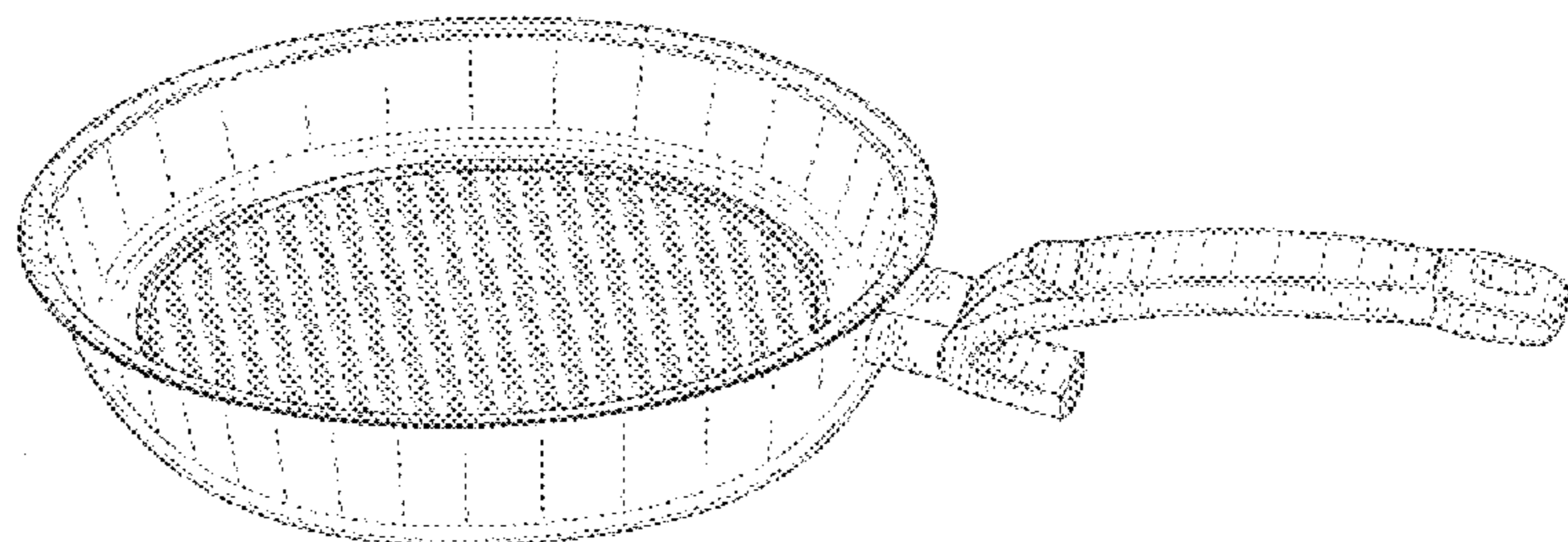
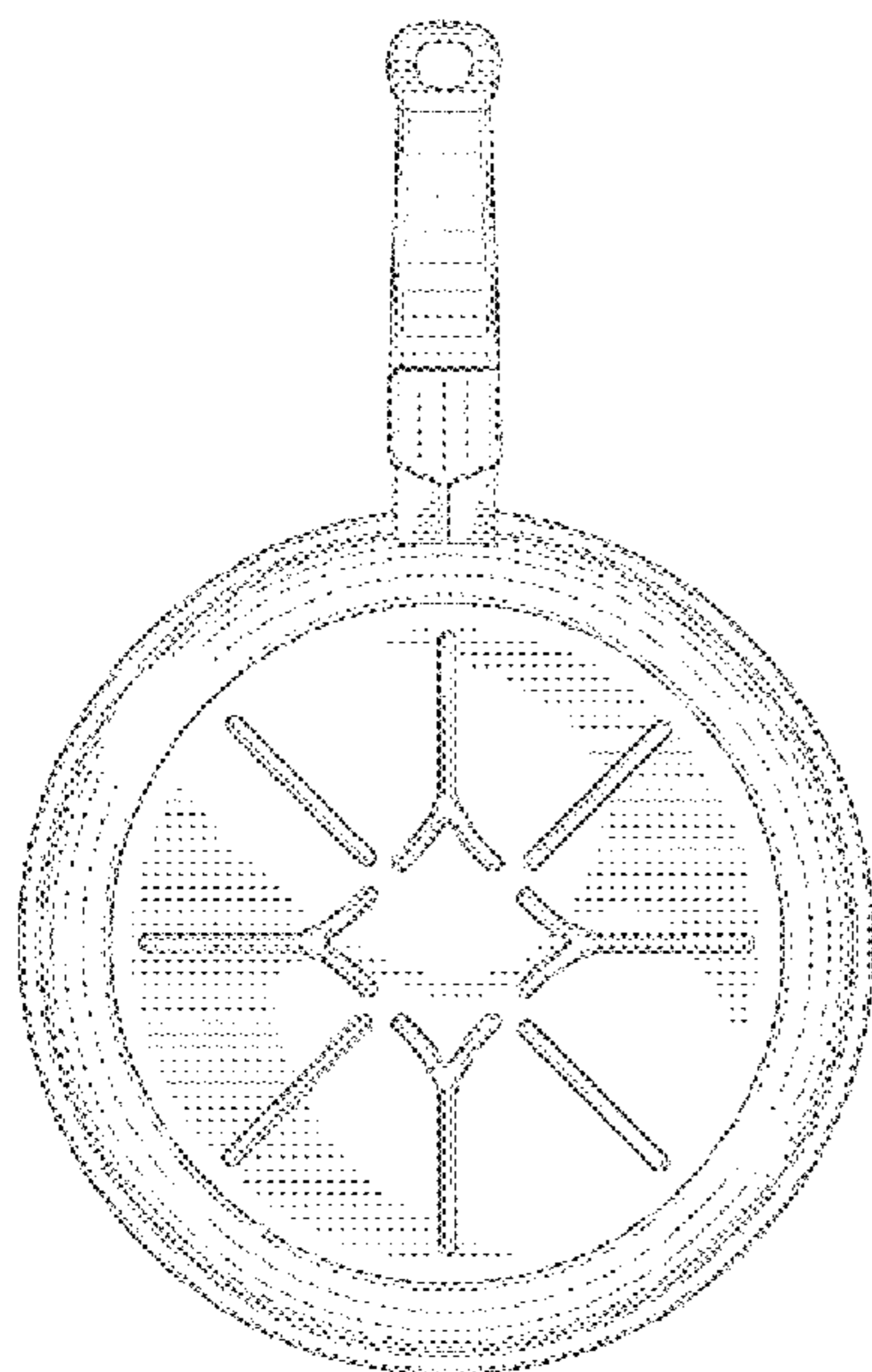
FIG. 4 is a rear elevational view thereof;

FIG. 5 is a top plan view thereof;

FIG. 6 is a bottom plan view thereof; and,

FIG. 7 is a perspective view thereof.

1 Claim, 4 Drawing Sheets



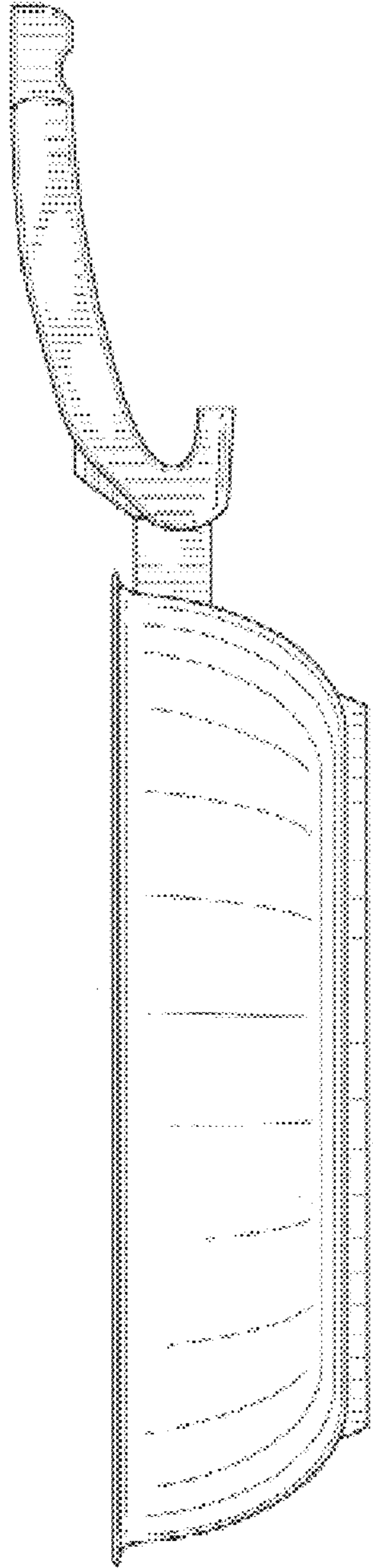


FIG. 1

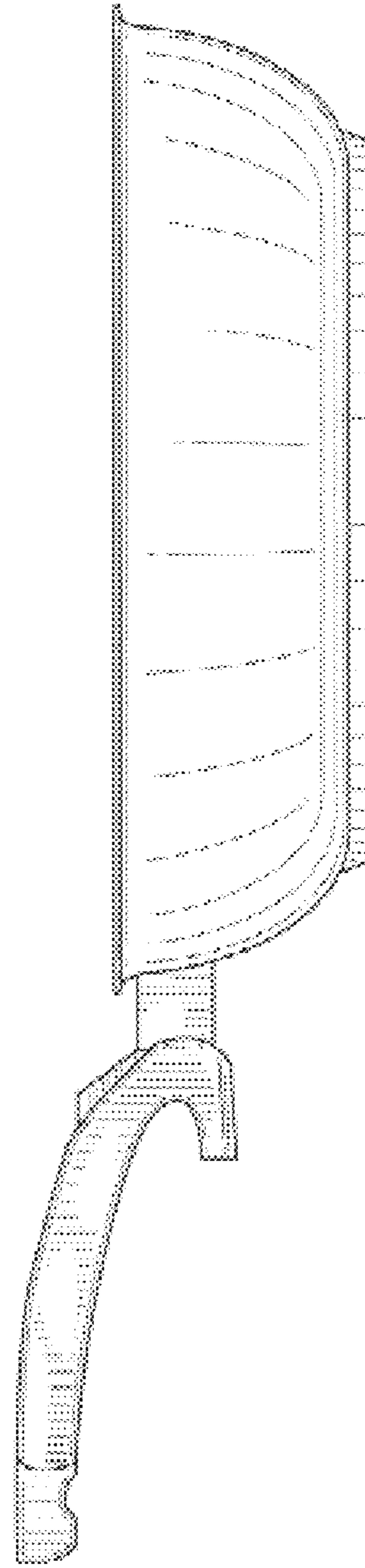


FIG. 2

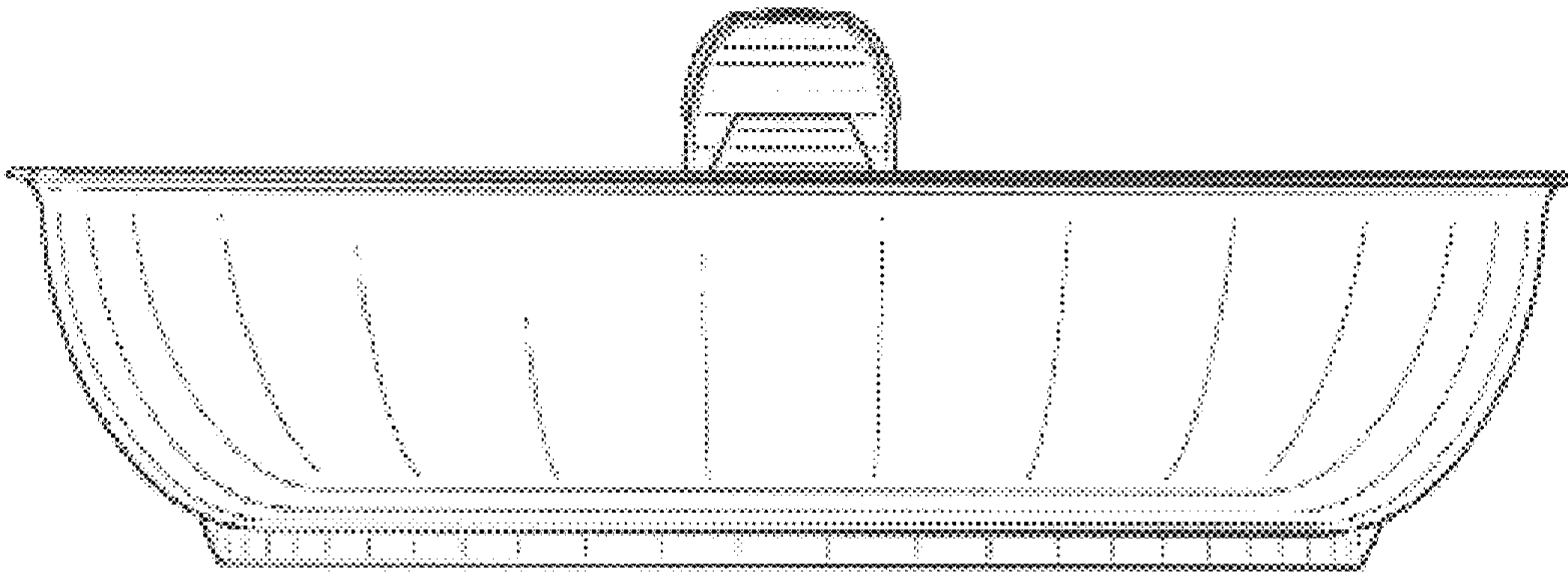


FIG. 3

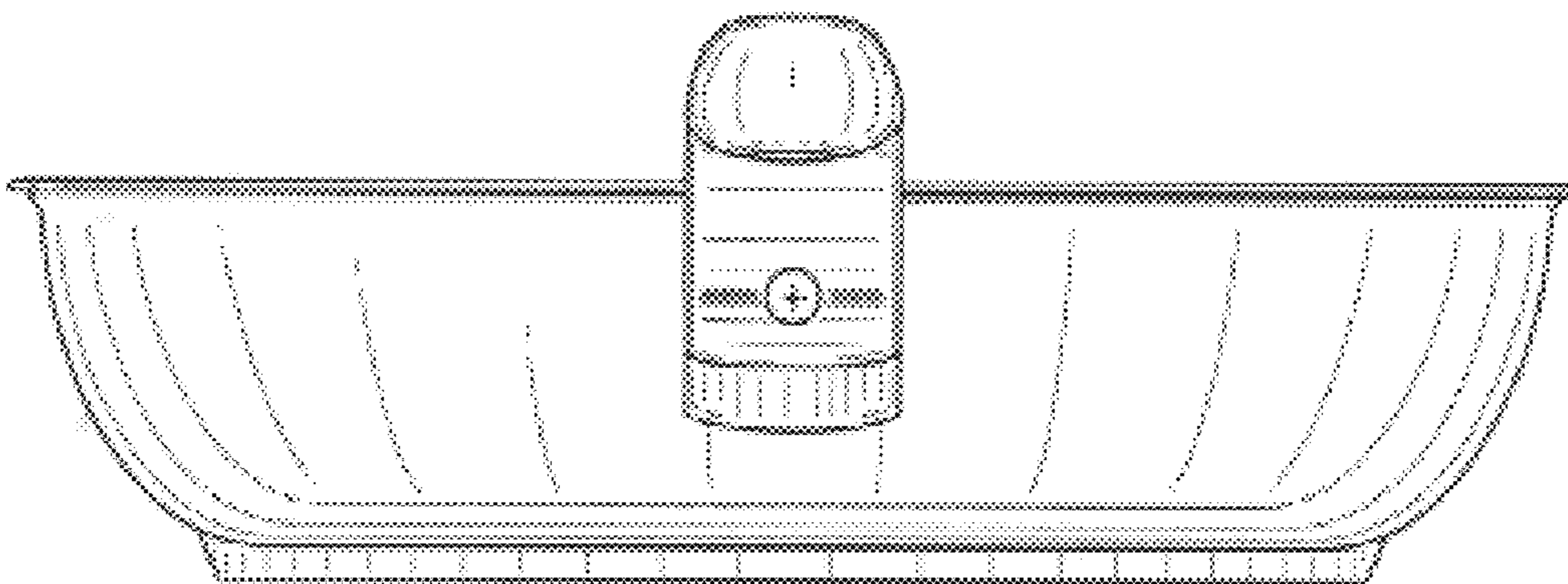


FIG. 4

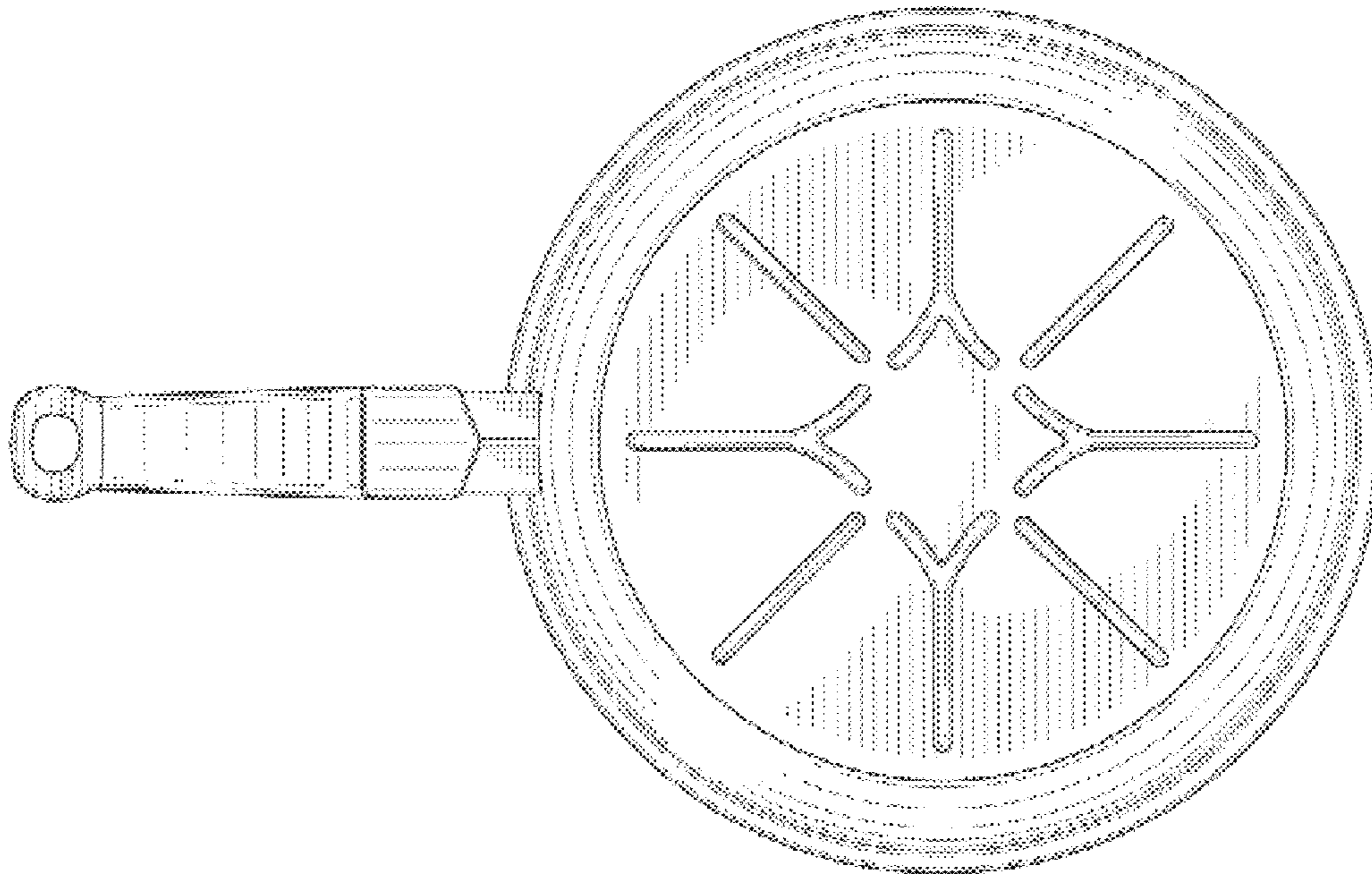


FIG. 6

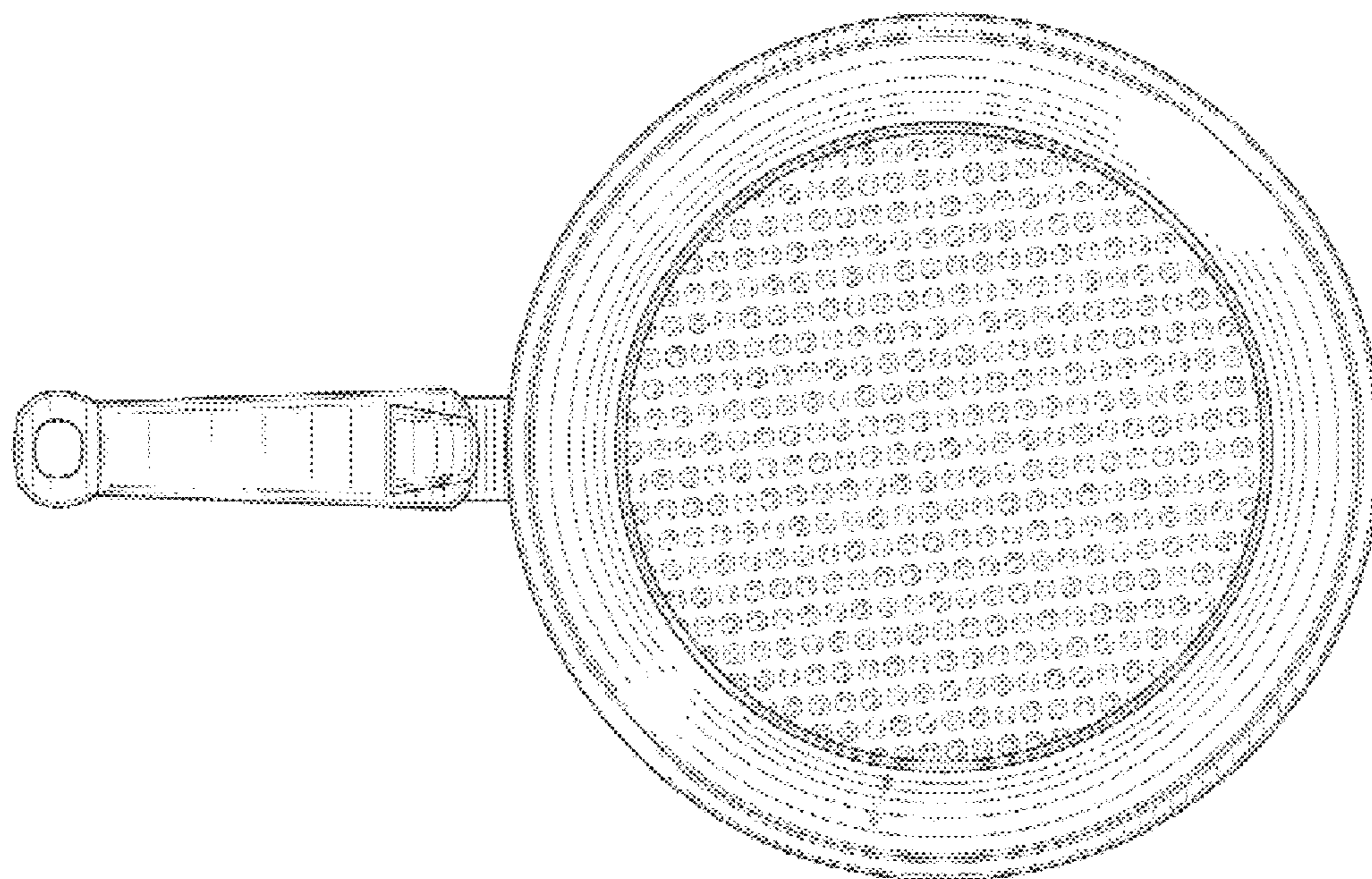


FIG. 5

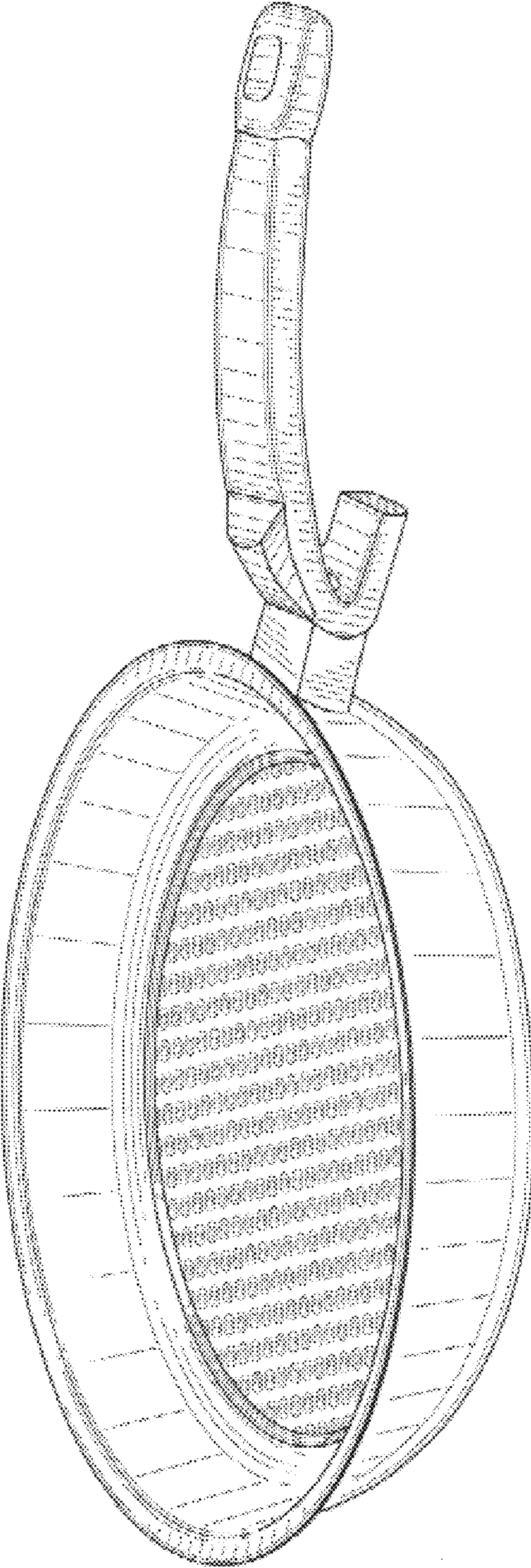


FIG. 7