



US00D582198S

(12) **United States Design Patent**
Cruver, IV et al.

(10) **Patent No.:** **US D582,198 S**
(45) **Date of Patent:** **** Dec. 9, 2008**

(54) **OVEN**
(75) Inventors: **Curtis Leroy Cruver, IV**, Elmhurst, IL (US); **William C. Cesaroni**, Glenview, IL (US)
(73) Assignee: **Wolf Appliance, Inc.**, Madison, WI (US)
(**) Term: **14 Years**
(21) Appl. No.: **29/269,201**
(22) Filed: **Nov. 22, 2006**

D477,496 S 7/2003 Monguilod et al.
D486,349 S 2/2004 Nichols
D495,556 S 9/2004 Milrud et al.
D503,583 S 4/2005 Masin
D510,226 S 10/2005 Vetter
D510,227 S 10/2005 Baldwin
D510,501 S 10/2005 Kim et al.
D511,271 S 11/2005 Grutzke et al.
D511,272 S 11/2005 Grutzke et al.
D511,651 S 11/2005 Grutzke et al.
D511,926 S 11/2005 Baldwin
D512,873 S 12/2005 Grutzke et al.
D514,382 S 2/2006 Grutzke et al.

(51) **LOC (8) Cl.** **07-02**
(52) **U.S. Cl.** **D7/350.1**
(58) **Field of Classification Search** D7/350.1,
D7/350.3, 350.4, 351, 402, 405; 126/19 M,
126/21 R, 275 E, 273 A; 219/757, 758
See application file for complete search history.

(Continued)

OTHER PUBLICATIONS

Wolf Appliance Company, Planning Information for 30" Built-In Single Oven, Sep. 2006; 7 pgs.

(Continued)

Primary Examiner—Ruth McInroy
(74) *Attorney, Agent, or Firm*—Foley & Lardner LLP

(56) **References Cited**

U.S. PATENT DOCUMENTS

D277,449 S 2/1985 Vetter et al.
D374,372 S 10/1996 Holbrook, Jr.
5,562,090 A 10/1996 Katz
D375,867 S 11/1996 Sparks
D379,734 S 6/1997 Baldwin
D391,800 S 3/1998 Holbrook, Jr.
D399,390 S 10/1998 Baldwin
D405,311 S 2/1999 Holbrook, Jr.
D423,287 S 4/2000 Marchand
D428,304 S 7/2000 Holbrook
D429,953 S 8/2000 Orzel et al.
D429,954 S 8/2000 Orzel et al.
D430,451 S 9/2000 Bordet
D462,867 S 9/2002 Resuello et al.
D468,579 S * 1/2003 Sakai et al. D7/351
D468,585 S 1/2003 Resuello et al.
D468,962 S 1/2003 Jones et al.
D469,657 S 2/2003 Becker et al.
D470,720 S 2/2003 Jones et al.
D471,403 S 3/2003 Jones et al.
D473,747 S 4/2003 Seymour et al.
D475,569 S 6/2003 Nichols
D477,177 S 7/2003 Jeong

(57) **CLAIM**

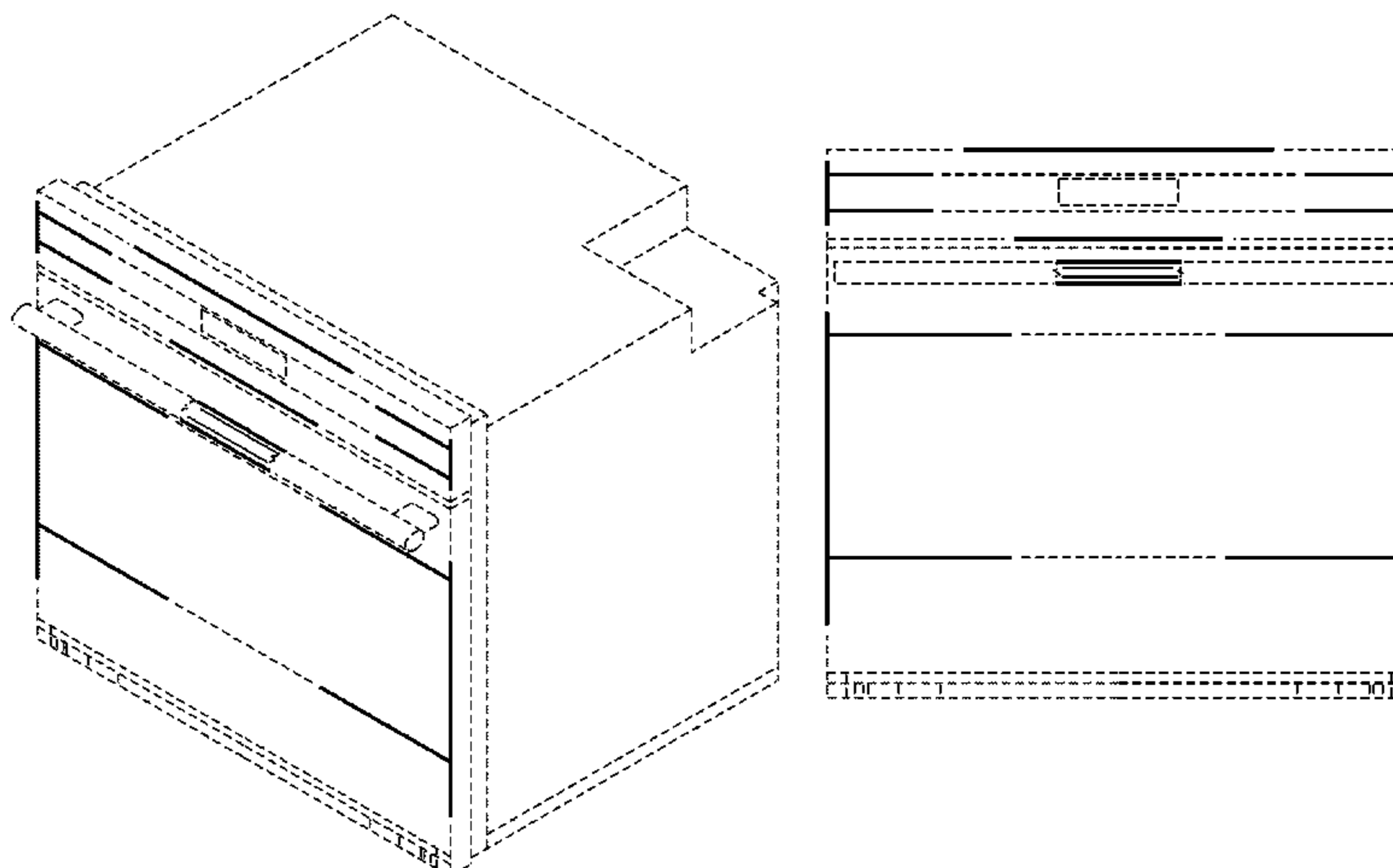
We claim the ornamental design for an oven, as shown and described.

DESCRIPTION

FIG. 1 is a perspective view of an oven showing our new design;
FIG. 2 is a front view thereof;
FIG. 3 is a right side view thereof;
FIG. 4 is a left side view thereof;
FIG. 5 is a top view thereof; and,
FIG. 6 is a bottom view thereof.

The ornamental design which is claimed is shown in solid lines in the drawings. The broken lines in the drawings are for illustrative purposes only and form no part of the claimed design.

1 Claim, 4 Drawing Sheets



US D582,198 S

Page 2

U.S. PATENT DOCUMENTS

D516,379 S 3/2006 Grutzke et al.
D516,862 S 3/2006 Grutzke et al.
D521,804 S 5/2006 Huxhold et al.
D524,093 S 7/2006 Home
D524,094 S 7/2006 Home
D524,103 S 7/2006 Bradshaw
D525,476 S 7/2006 Bengtson et al.
D525,477 S * 7/2006 Kim D7/351
D525,830 S 8/2006 Pryor
D526,844 S 8/2006 Bradshaw
D527,572 S * 9/2006 Lee et al. D7/350.1
D527,948 S 9/2006 Bengtson
D530,151 S 10/2006 Huxhold et al.
D530,152 S 10/2006 Pryor
D530,561 S * 10/2006 Kim D7/351
D530,971 S 10/2006 Kim
D530,972 S 10/2006 Park
D530,979 S 10/2006 Huxhold et al.
D534,035 S * 12/2006 Huxhold et al. D7/405
D535,515 S 1/2007 Sadtler
D535,847 S 1/2007 Sadtler

D541,578 S * 5/2007 Jeon D7/350.1
D543,781 S 6/2007 Martin et al.
7,234,457 B2 6/2007 Bartmann et al.
D546,623 S 7/2007 Kim

OTHER PUBLICATIONS

Wolf Appliance Company, Built-In Ovens Installation Instructions, Sep. 2005; 16 pgs.
Wolf Appliance Company, Built-In Ovens Use & Care Information, Aug. 2005; 40 pgs.
Wolf Appliance Company, Planning Information for 30" Built-In Double Oven, Sep. 2006; 5 pgs.
Wolf Appliance Company, Planning Information for 36" Built-In Single Oven, Sep. 2006; 5 pgs.
Wolf Appliance Company, Planning Information for 36" Gas Ranges, Jul. 2006; 5 pgs.
Wolf Appliance Company, Gas Ranges Use & Care Information, Oct. 2006; 36 pgs.
Wolf Appliance Company, Gas Ranges Installation Instructions, Oct. 2006; 20 pgs.

* cited by examiner

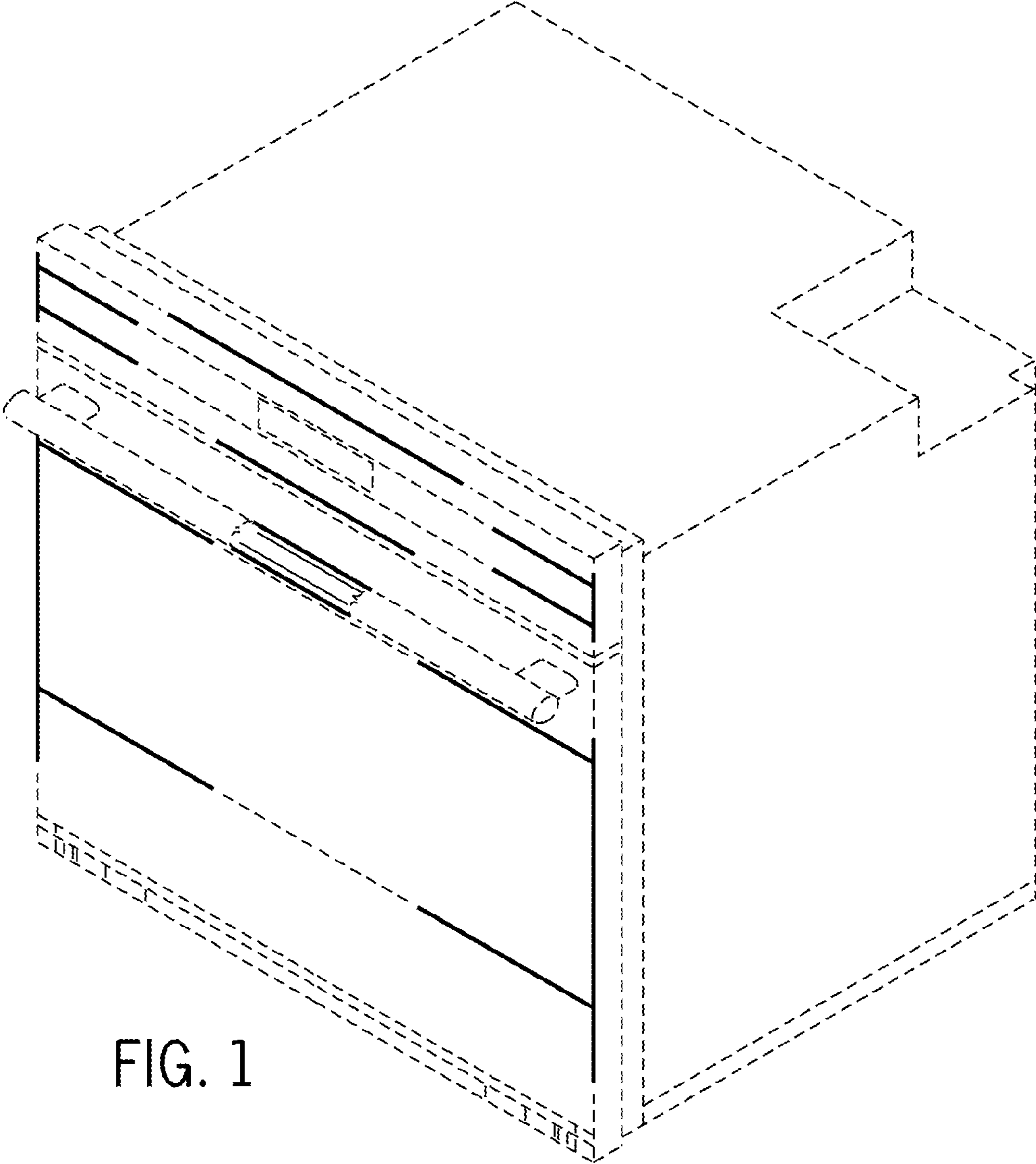


FIG. 1

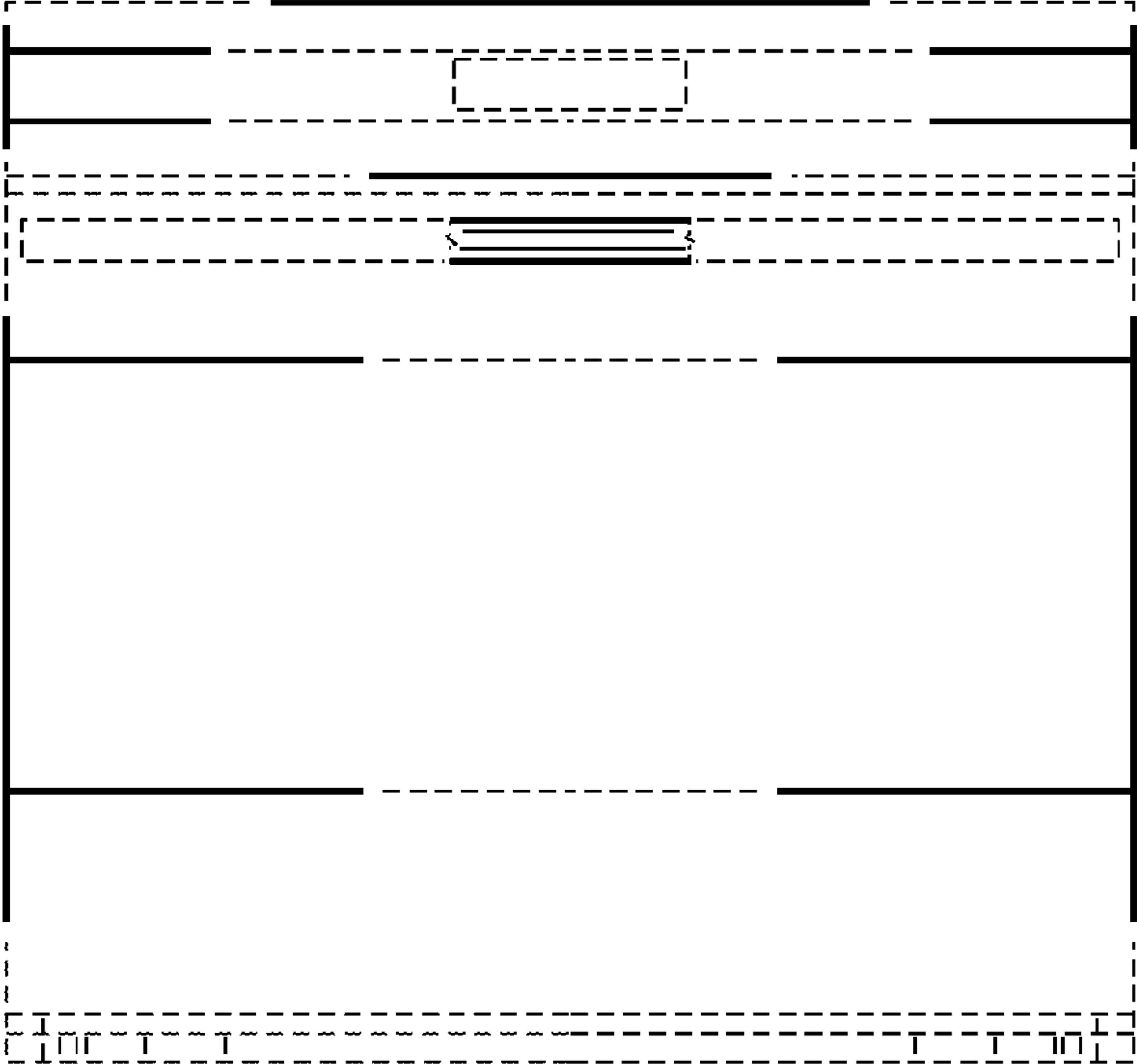


FIG. 2

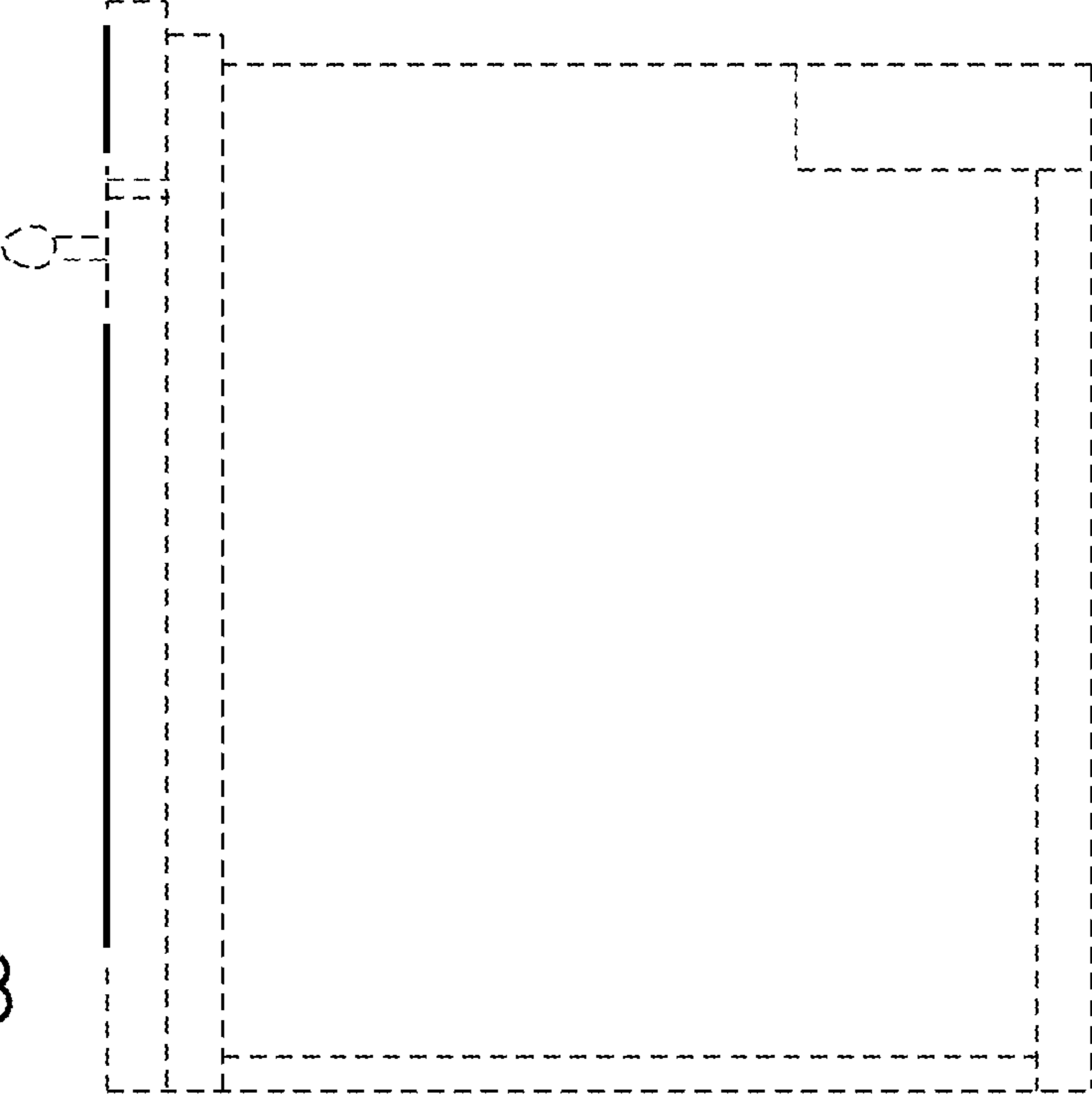


FIG. 3

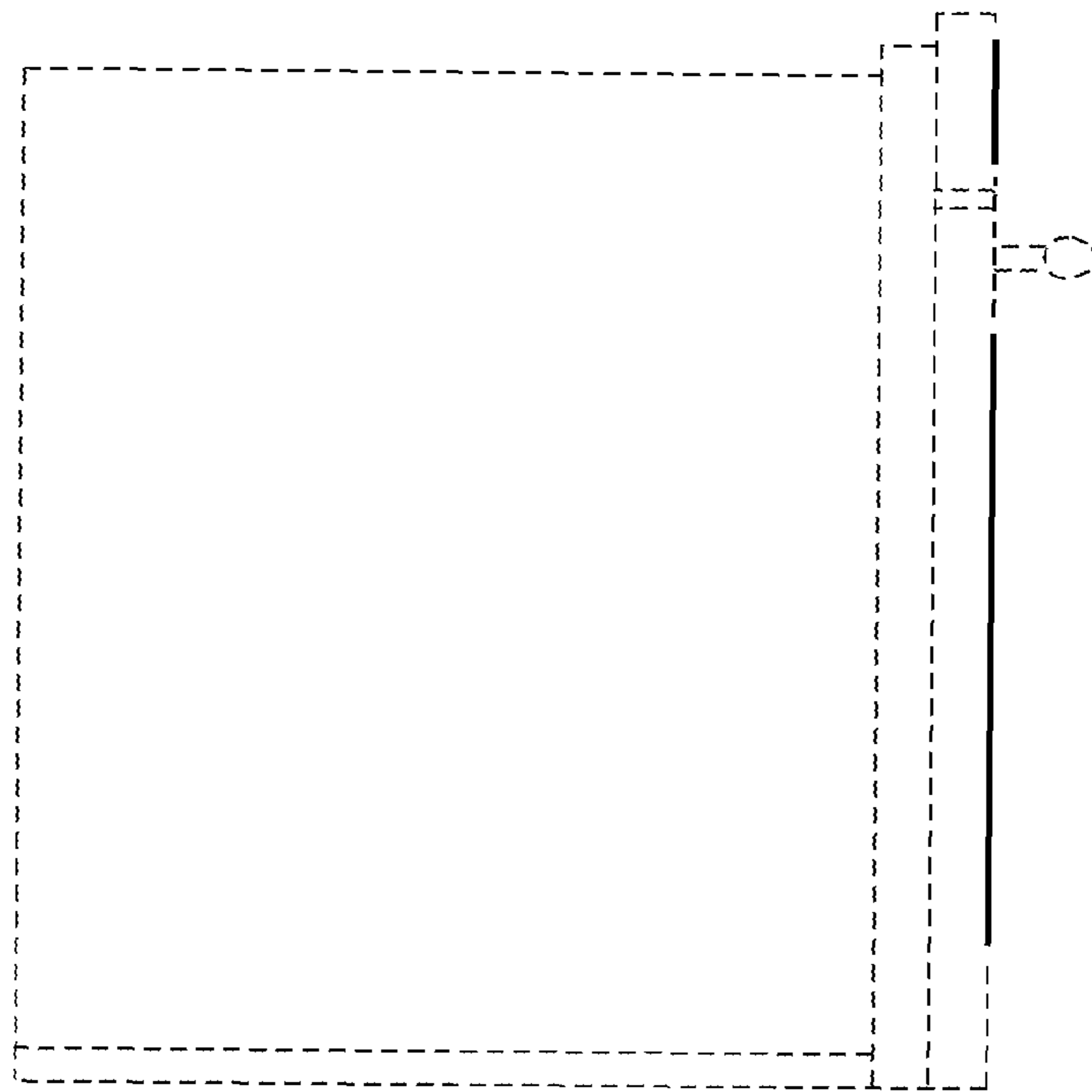


FIG. 4

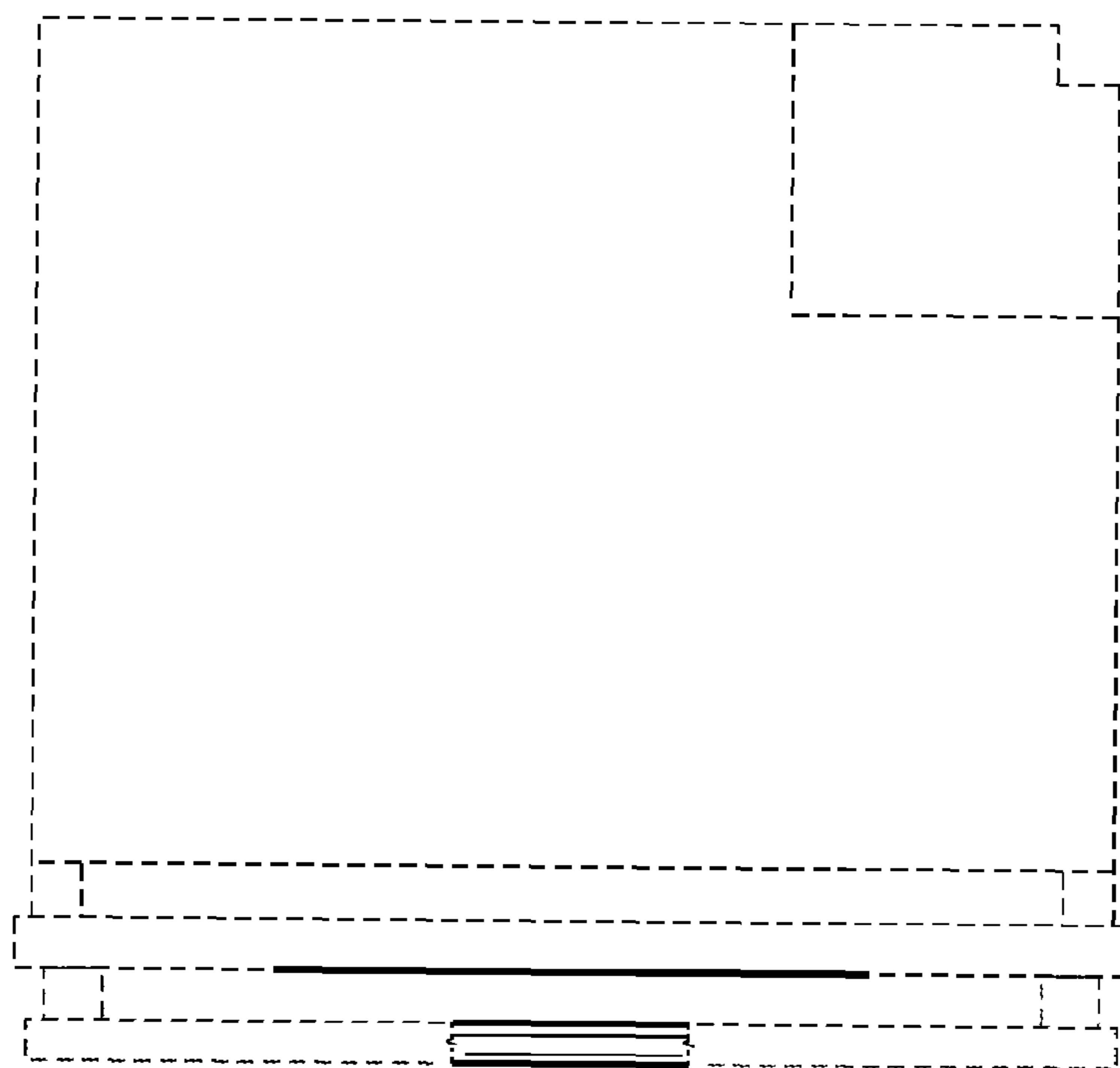


FIG. 5

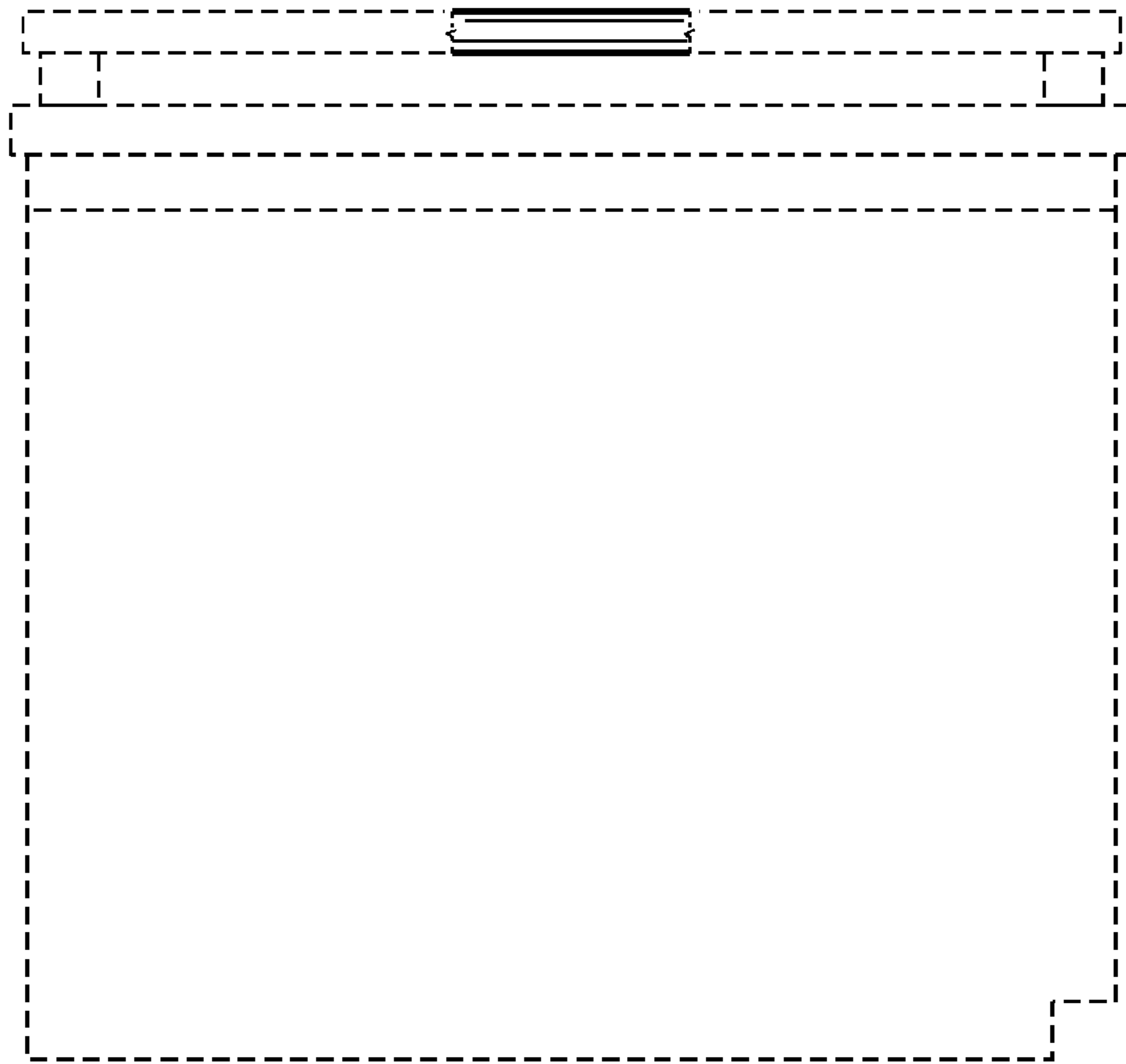


FIG. 6