



US00D582196S

(12) **United States Design Patent**
Jerstroem et al.

(10) **Patent No.:** **US D582,196 S**
(45) **Date of Patent:** **** Dec. 9, 2008**

(54) **TOASTER**

(75) Inventors: **Goeran Jerstroem**, Glen Ridge, NJ (US); **Mark Prommel**, New York, NY (US); **Sing Pong (Brian) Chui**, Brooklyn, NY (US); **Paul Katz**, New York, NY (US); **Anthony Di Bitonto**, Brooklyn, NY (US)

(73) Assignee: **SEB**, Selongey (FR)

(**) Term: **14 Years**

(21) Appl. No.: **29/319,994**

(22) Filed: **Jun. 18, 2008**

(51) **LOC (8) Cl.** **07-02**

(52) **U.S. Cl.** **D7/330**

(58) **Field of Classification Search** D7/323,
D7/328-333, 340-341, 346, 354-365, 367,
D7/385, 390, 402, 405-411; D13/158, 162,
D13/162.1, 163; 99/331-332, 357, 375,
99/385; 219/214, 388, 405, 443.1, 450.1,
219/492, 532

See application file for complete search history.

(56) **References Cited**

U.S. PATENT DOCUMENTS

D265,713 S * 8/1982 Schmidli D7/329

D276,207 S * 11/1984 Van Asten D7/328
D322,536 S * 12/1991 Behringer D7/330
D394,983 S * 6/1998 Garrett et al. D7/330
D564,823 S * 3/2008 Meiry D7/330

* cited by examiner

Primary Examiner—Caron D. Veynar

Assistant Examiner—Ricky Pham

(74) *Attorney, Agent, or Firm*—Browdy and Neimark, P.L.L.C.

(57) **CLAIM**

The ornamental design for a toaster, as shown.

DESCRIPTION

FIG. 1 is a front elevational view of a toaster in accordance with the present design;

FIG. 2 is a rear elevational view thereof;

FIG. 3 is a left side elevational view thereof;

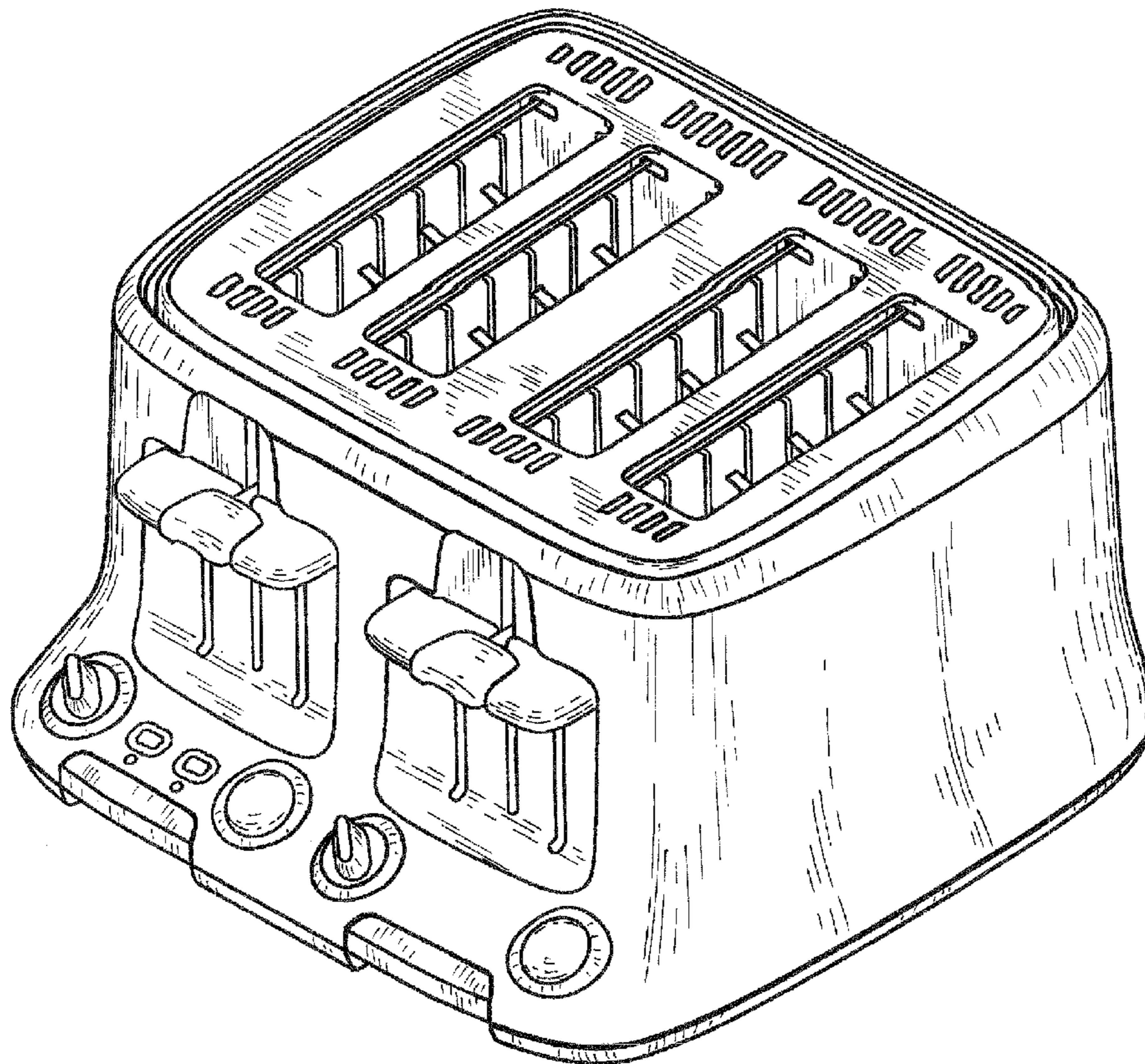
FIG. 4 is a right side elevational view thereof;

FIG. 5 is a top plan view thereof;

FIG. 6 is a bottom plan view thereof; and,

FIG. 7 is a three quarter perspective view thereof.

1 Claim, 7 Drawing Sheets



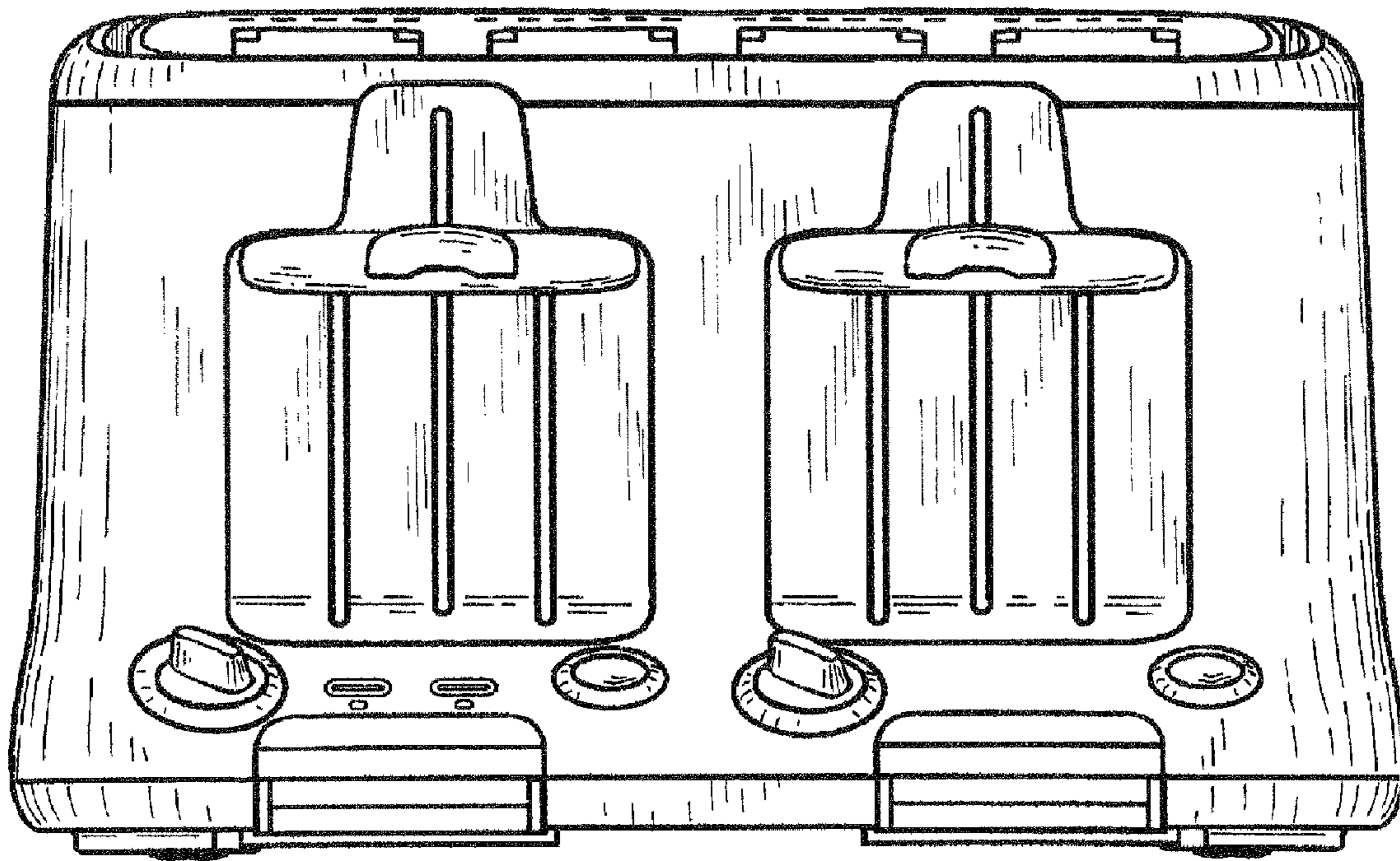


FIG. 1

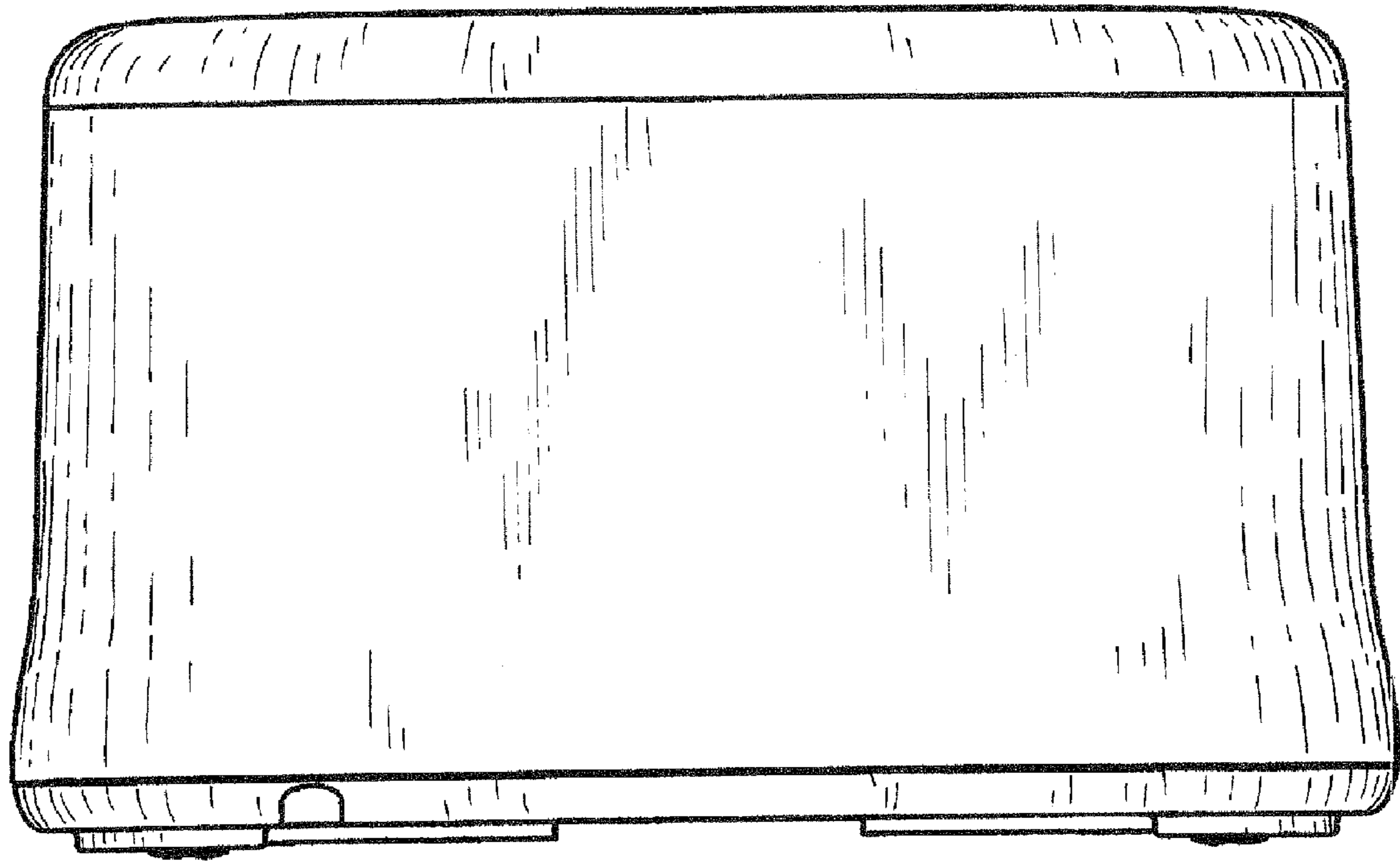


FIG. 2

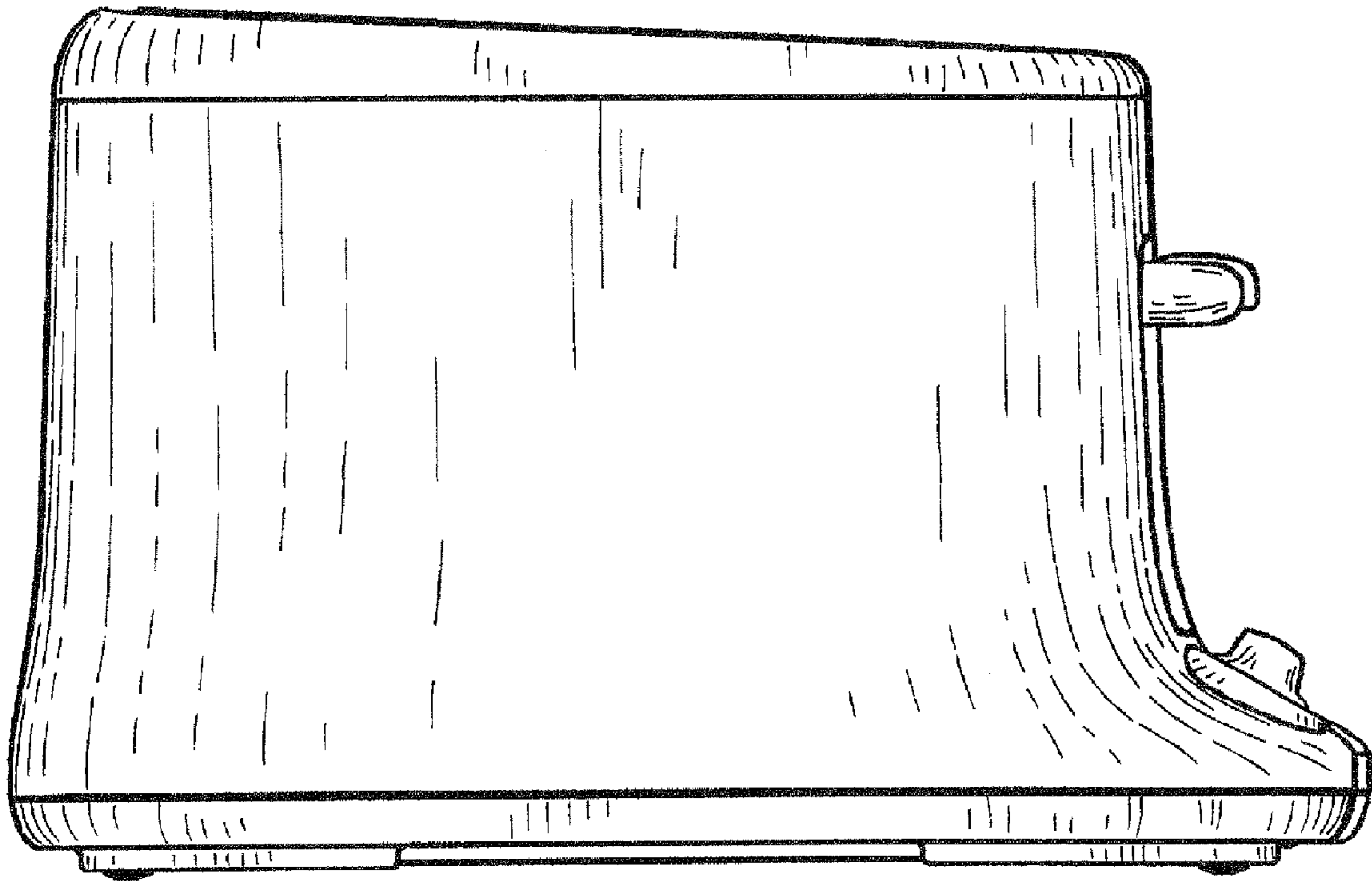


FIG. 3

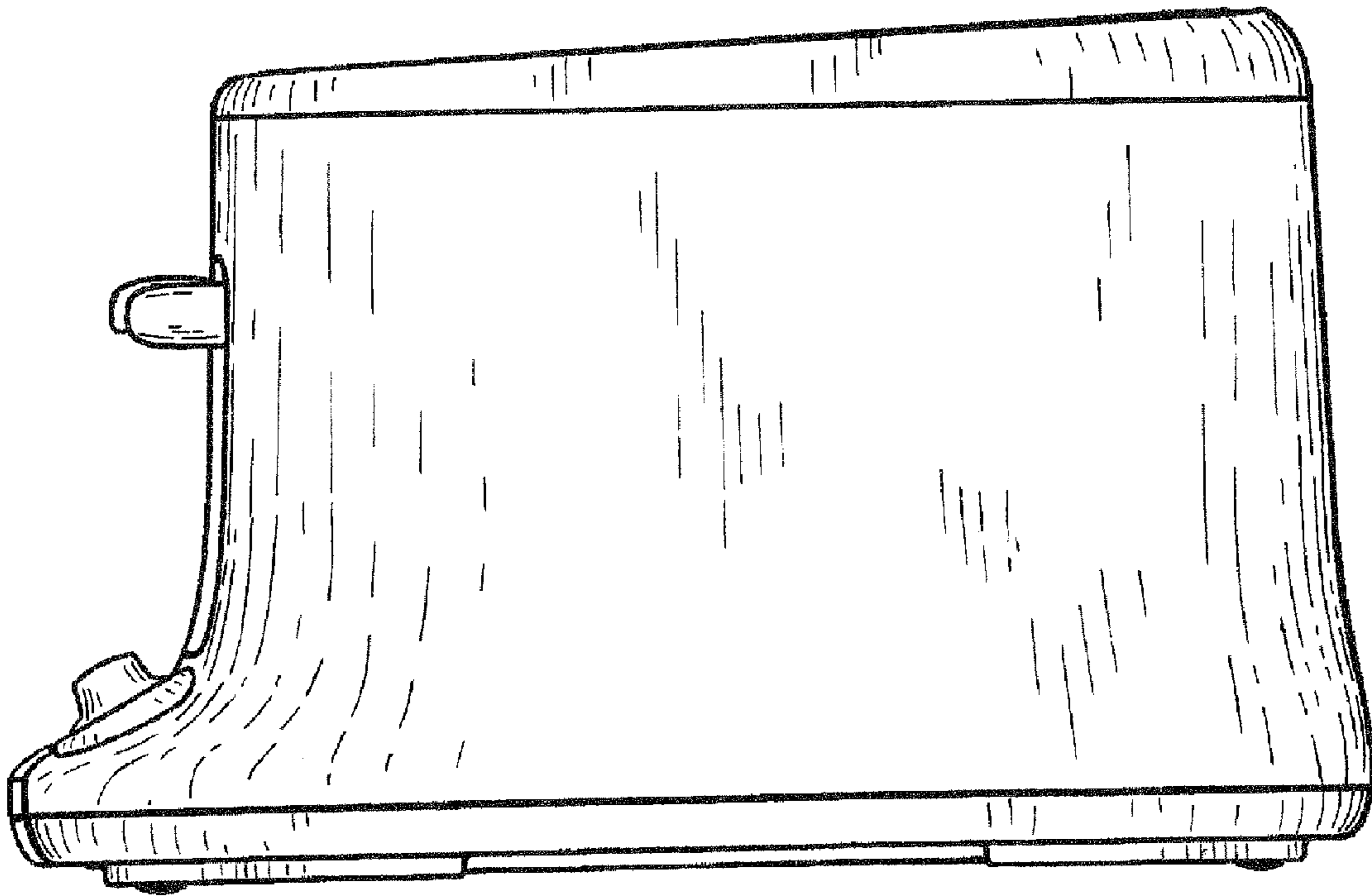


FIG. 4

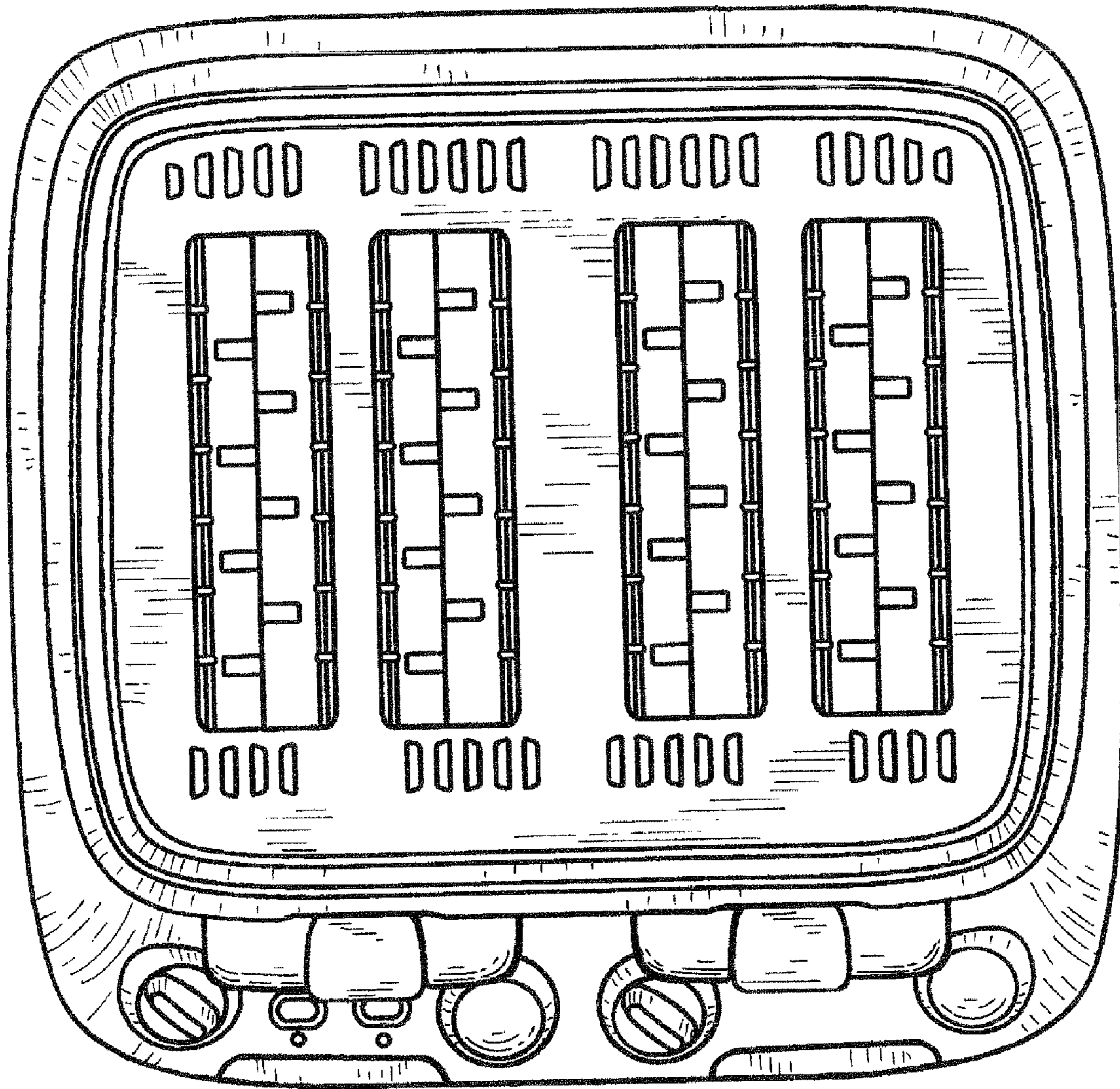


FIG. 5

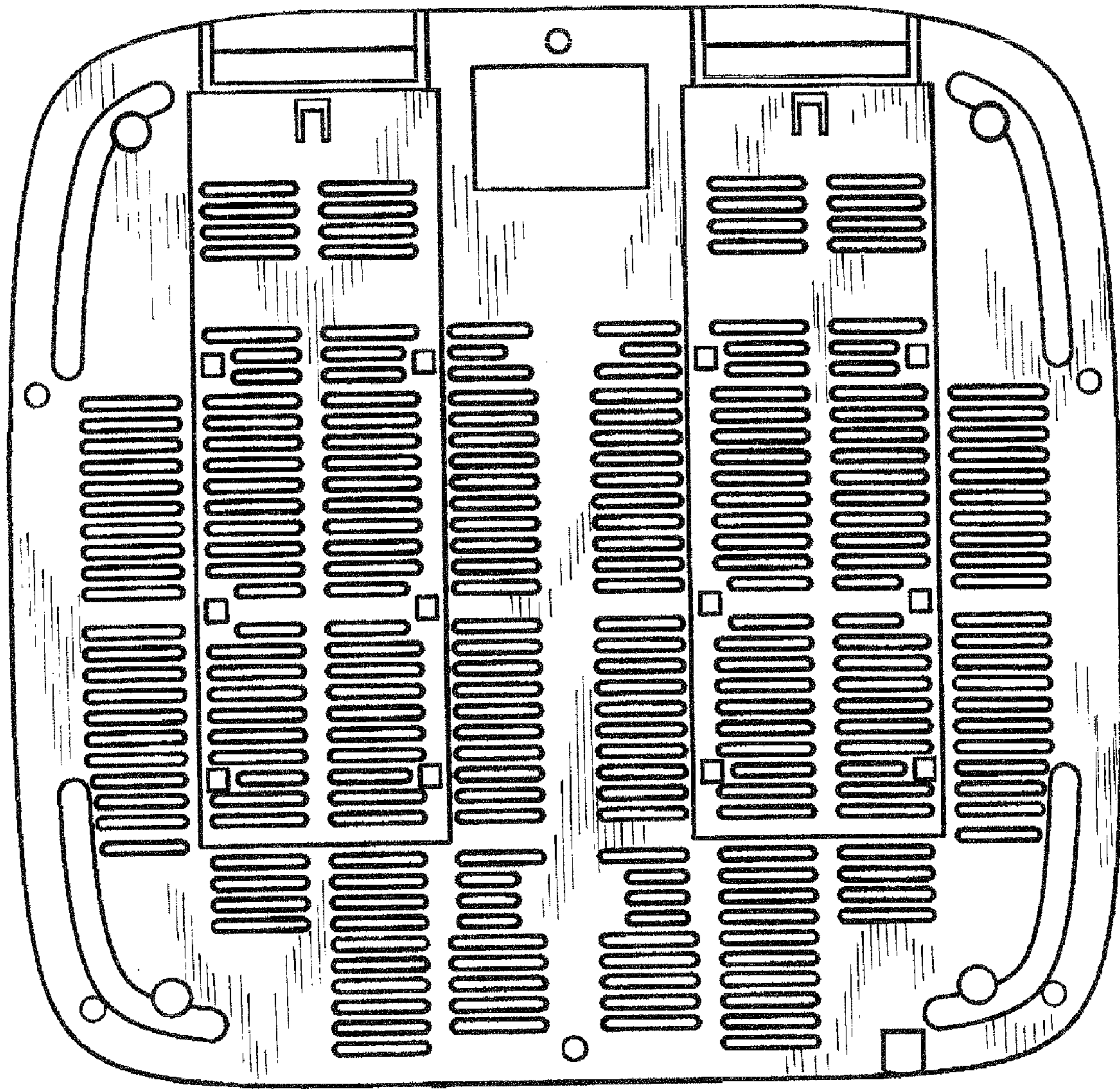


FIG. 6

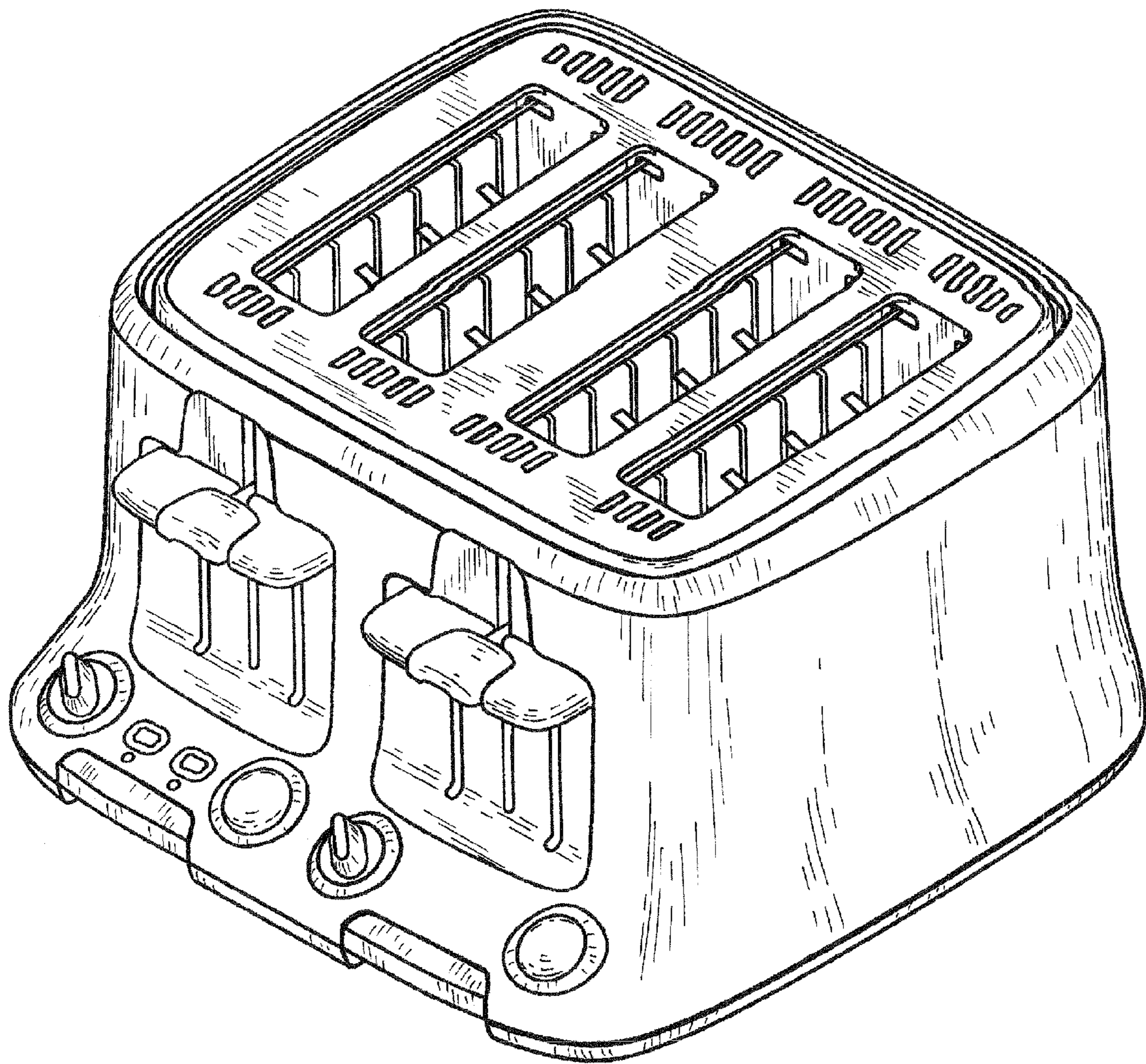


FIG. 7