



US00D582195S

(12) **United States Design Patent**  
**Jerstroem et al.**

(10) **Patent No.:** **US D582,195 S**

(45) **Date of Patent:** **\*\* Dec. 9, 2008**

(54) **TOASTER**

(75) Inventors: **Goeran Jerstroem**, Glen Ridge, NJ (US); **Mark Prommel**, New York, NY (US); **Sing Pong (Brian) Chui**, Brooklyn, NY (US); **Paul Katz**, New York, NY (US); **Anthony Di Bitonto**, Brooklyn, NY (US)

(73) Assignee: **SEB**, Selongey (FR)

(\*\*) Term: **14 Years**

(21) Appl. No.: **29/319,958**

(22) Filed: **Jun. 18, 2008**

(51) **LOC (8) Cl.** ..... **07-02**

(52) **U.S. Cl.** ..... **D7/330**

(58) **Field of Classification Search** ..... D7/323,  
D7/328-333, 340-341, 346, 354-365, 367,  
D7/385, 390, 402, 405-411; D13/158, 162,  
D13/162.1, 163; 99/331-332, 357, 375,  
99/385; 219/214, 388, 405, 443.1, 450.1,  
219/492, 532

See application file for complete search history.

(56) **References Cited**

**U.S. PATENT DOCUMENTS**

D276,207 S \* 11/1984 Van Asten ..... D7/328

D322,536 S \* 12/1991 Behringer ..... D7/330  
D401,471 S \* 11/1998 Barker ..... D7/330  
D470,709 S \* 2/2003 Starr et al. .... D7/330  
D564,823 S \* 3/2008 Meiry ..... D7/330

\* cited by examiner

*Primary Examiner*—Caron D. Veynar

*Assistant Examiner*—Ricky Pham

(74) *Attorney, Agent, or Firm*—Browdy and Neimark, P.L.L.C.

(57) **CLAIM**

The ornamental design for a toaster, as shown.

**DESCRIPTION**

FIG. 1 is a front elevational view of a toaster in accordance with the present design;

FIG. 2 is a rear elevational view thereof;

FIG. 3 is a left side elevational view thereof;

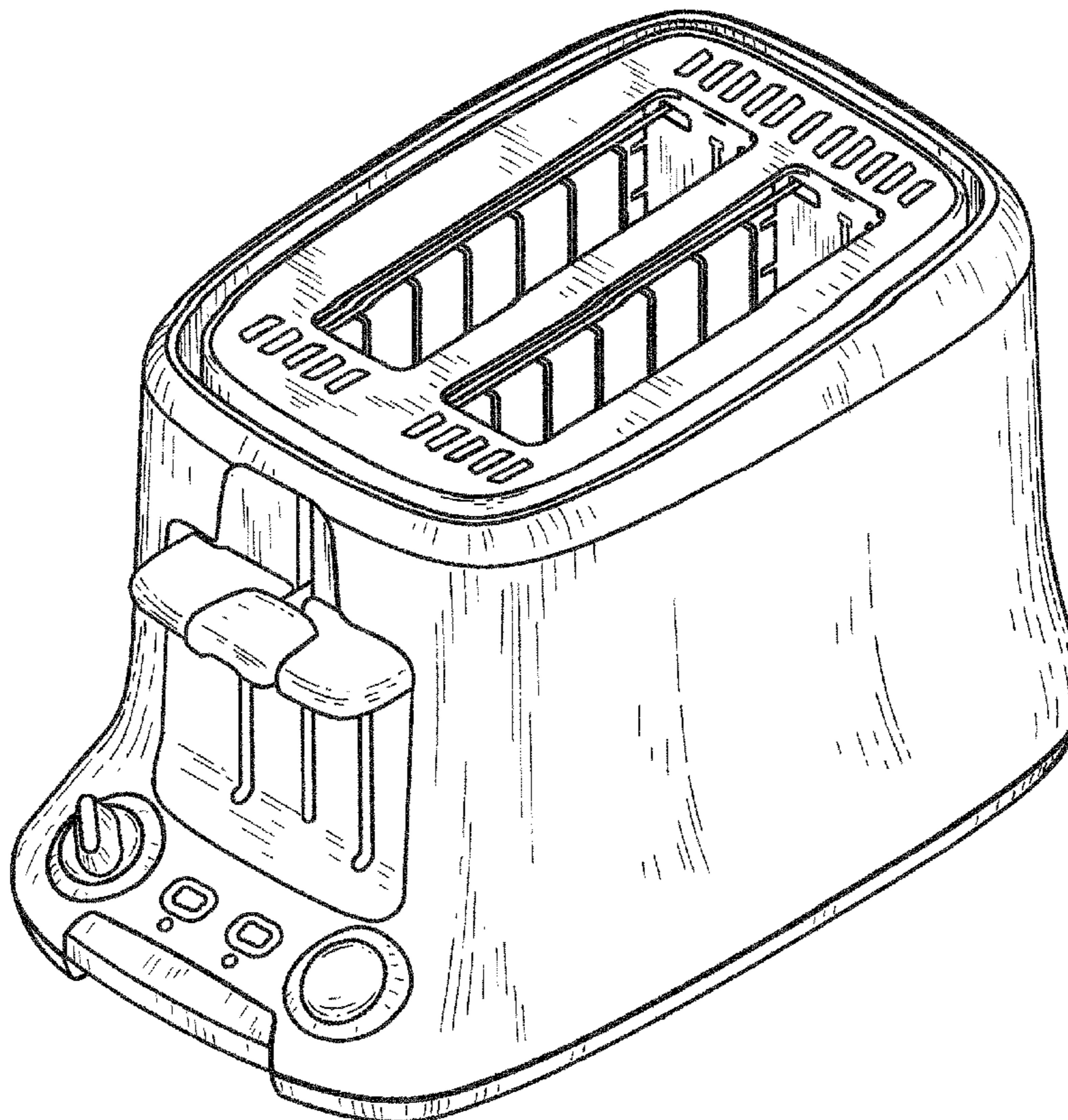
FIG. 4 is a right side elevational view thereof;

FIG. 5 is a top plan view thereof;

FIG. 6 is a bottom plan view thereof; and,

FIG. 7 is a three quarter perspective view thereof.

**1 Claim, 7 Drawing Sheets**



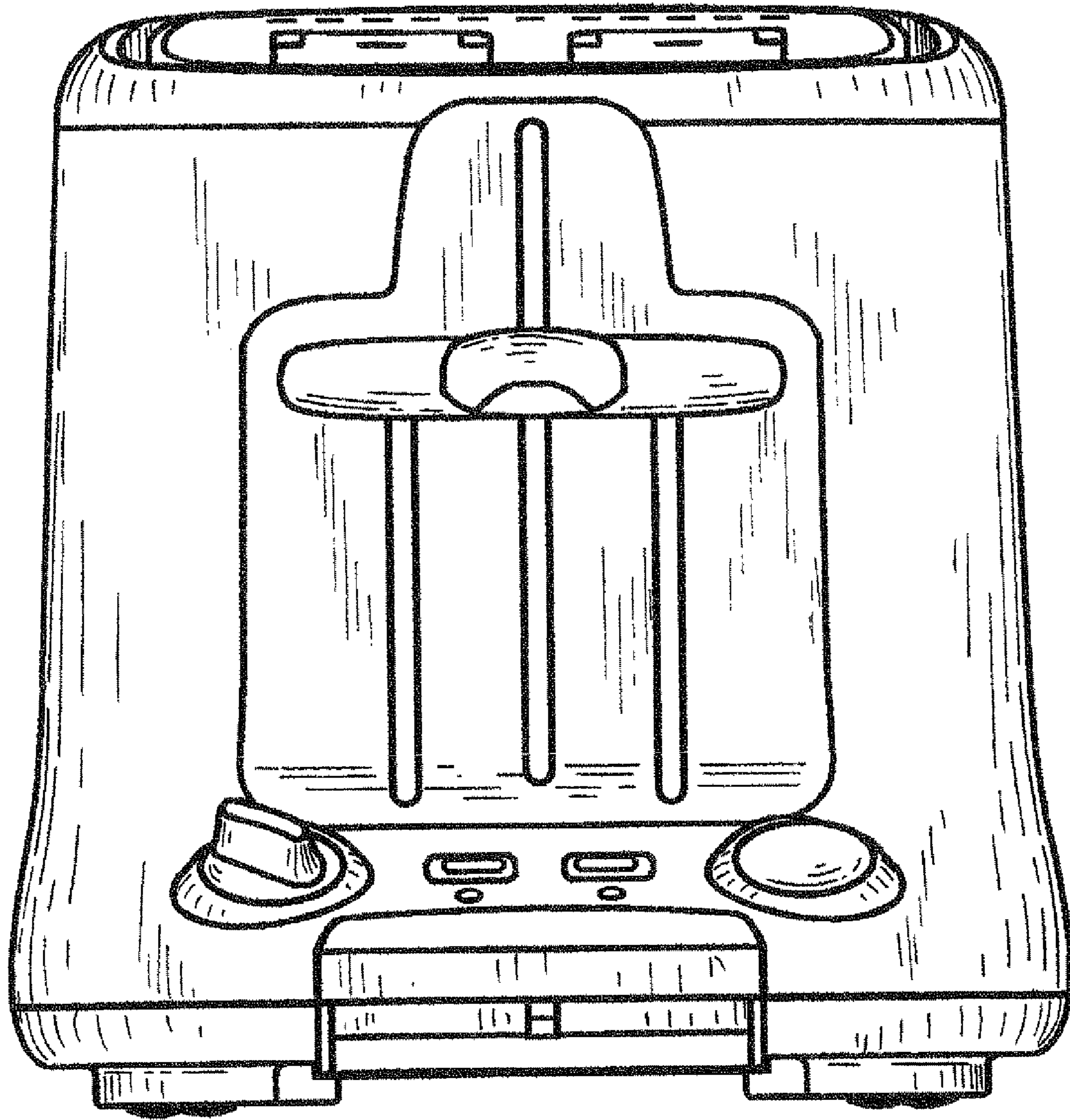


FIG. 1

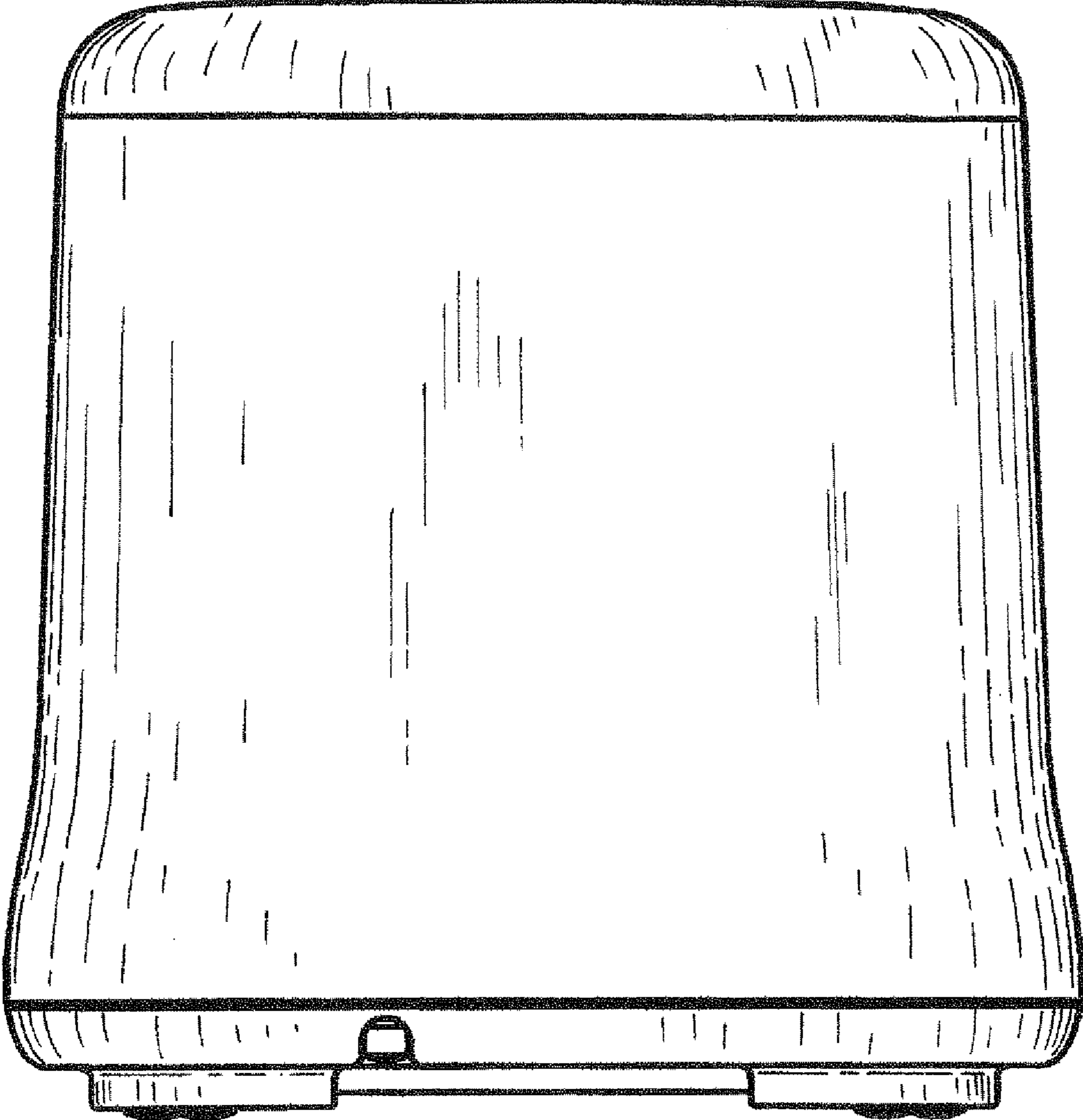


FIG. 2

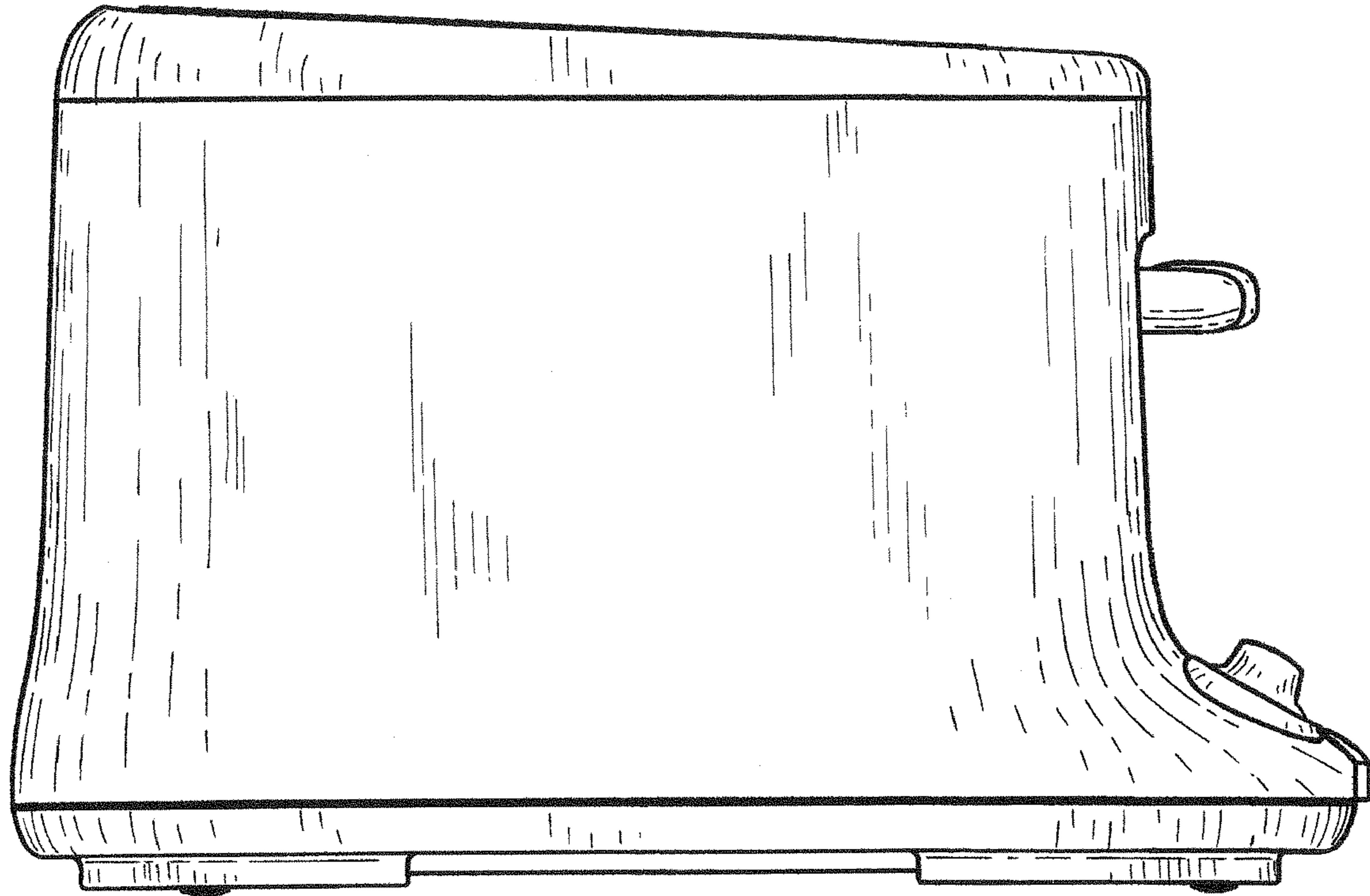


FIG. 3

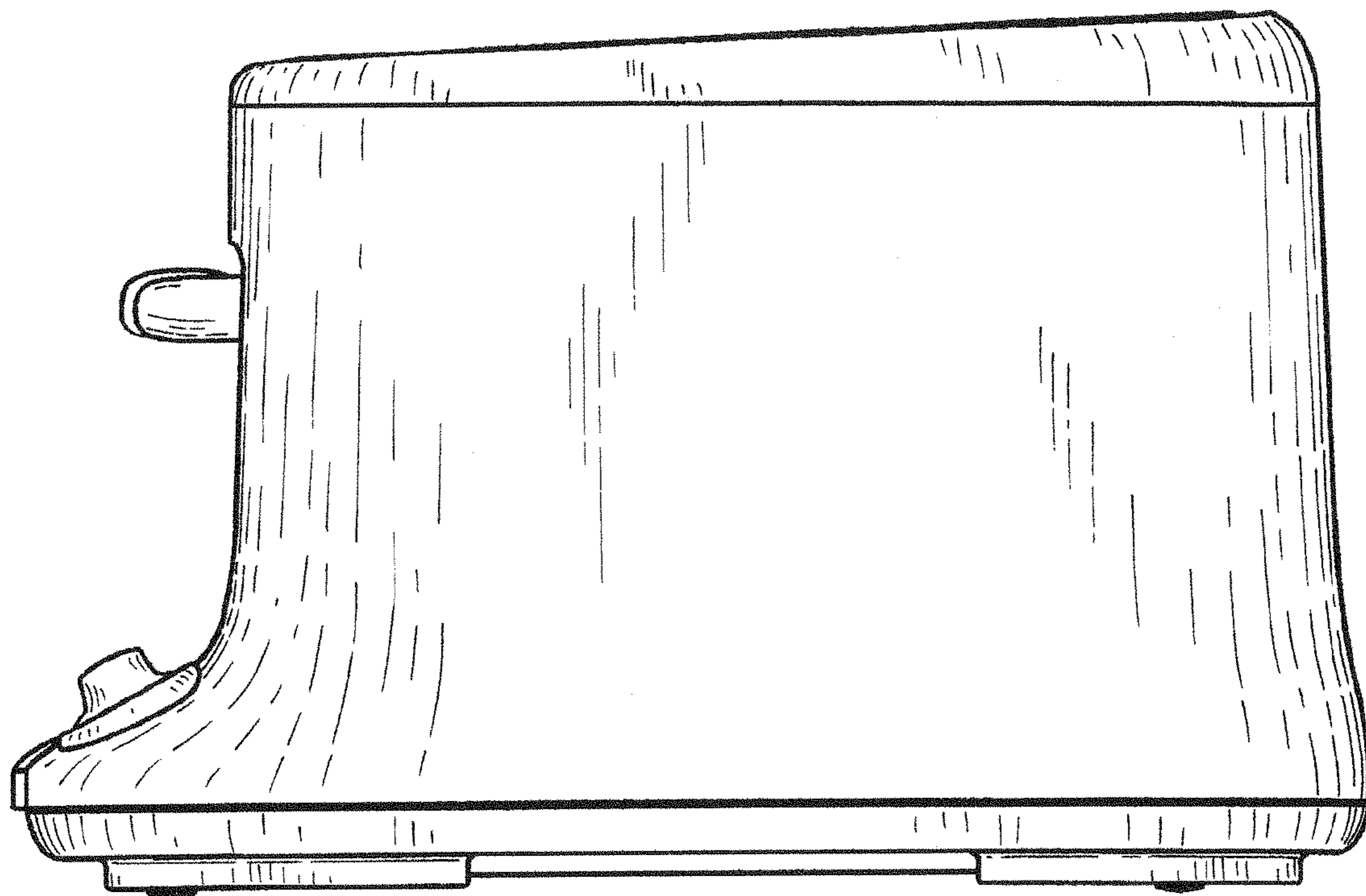


FIG. 4

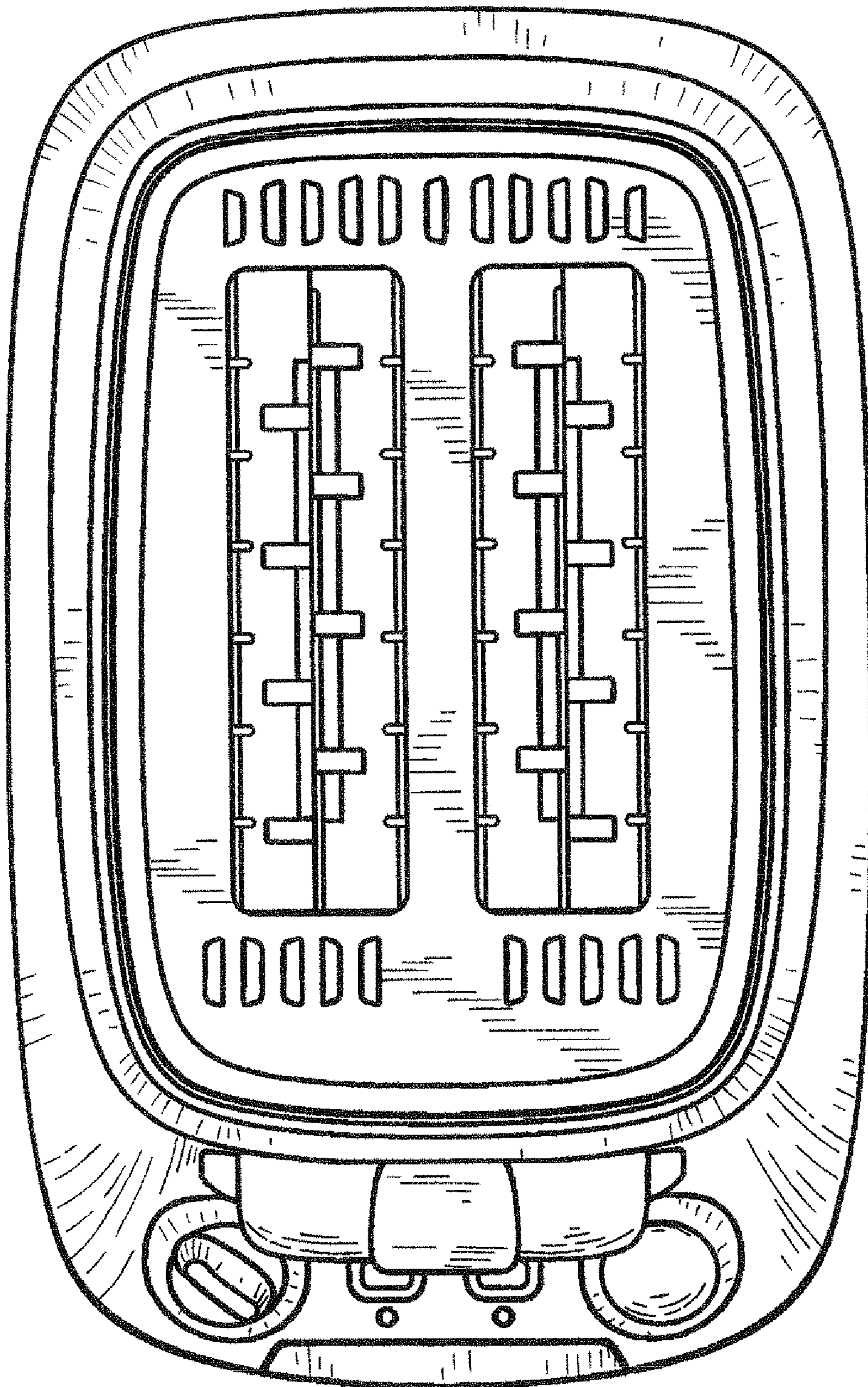


FIG. 5

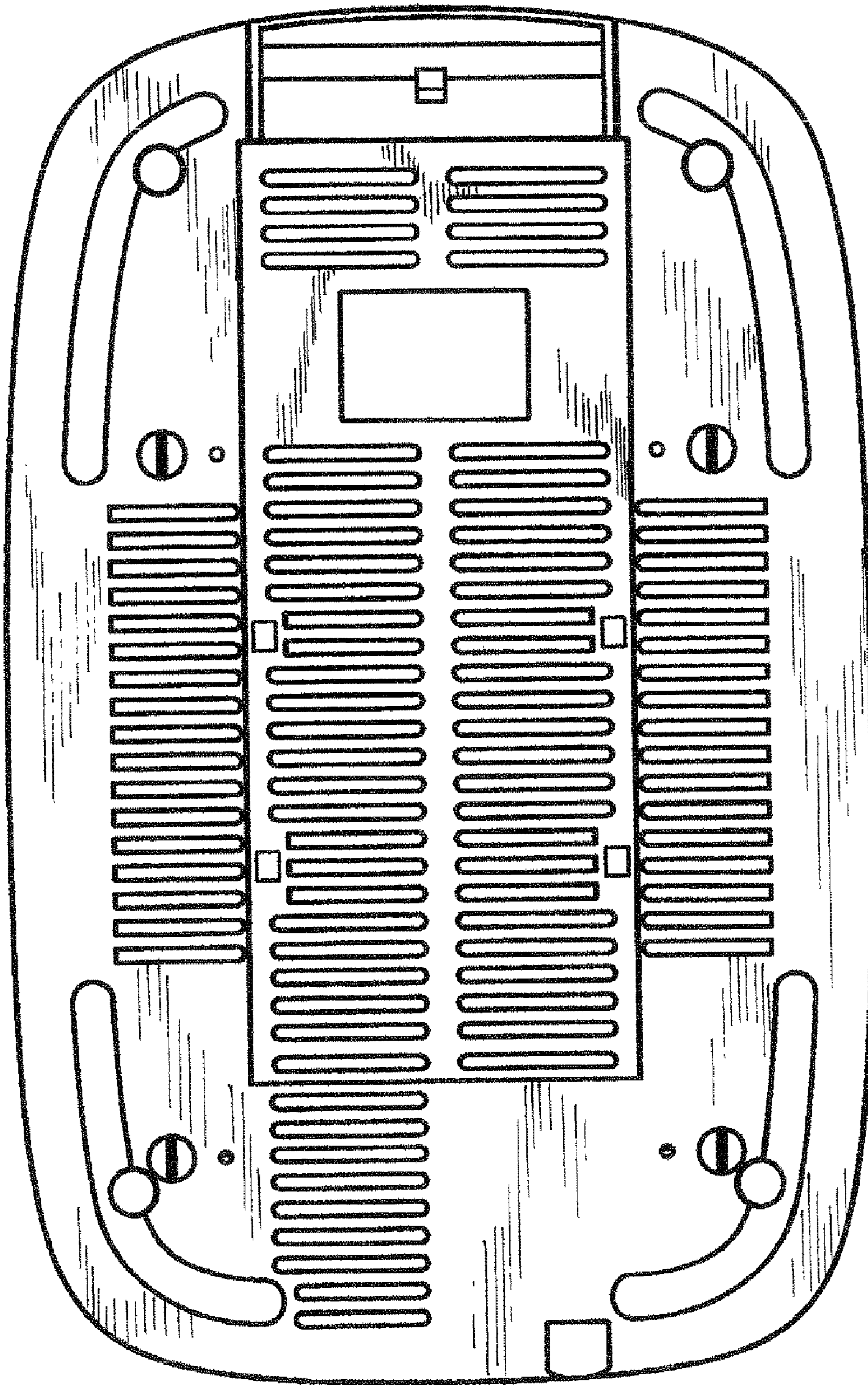


FIG. 6

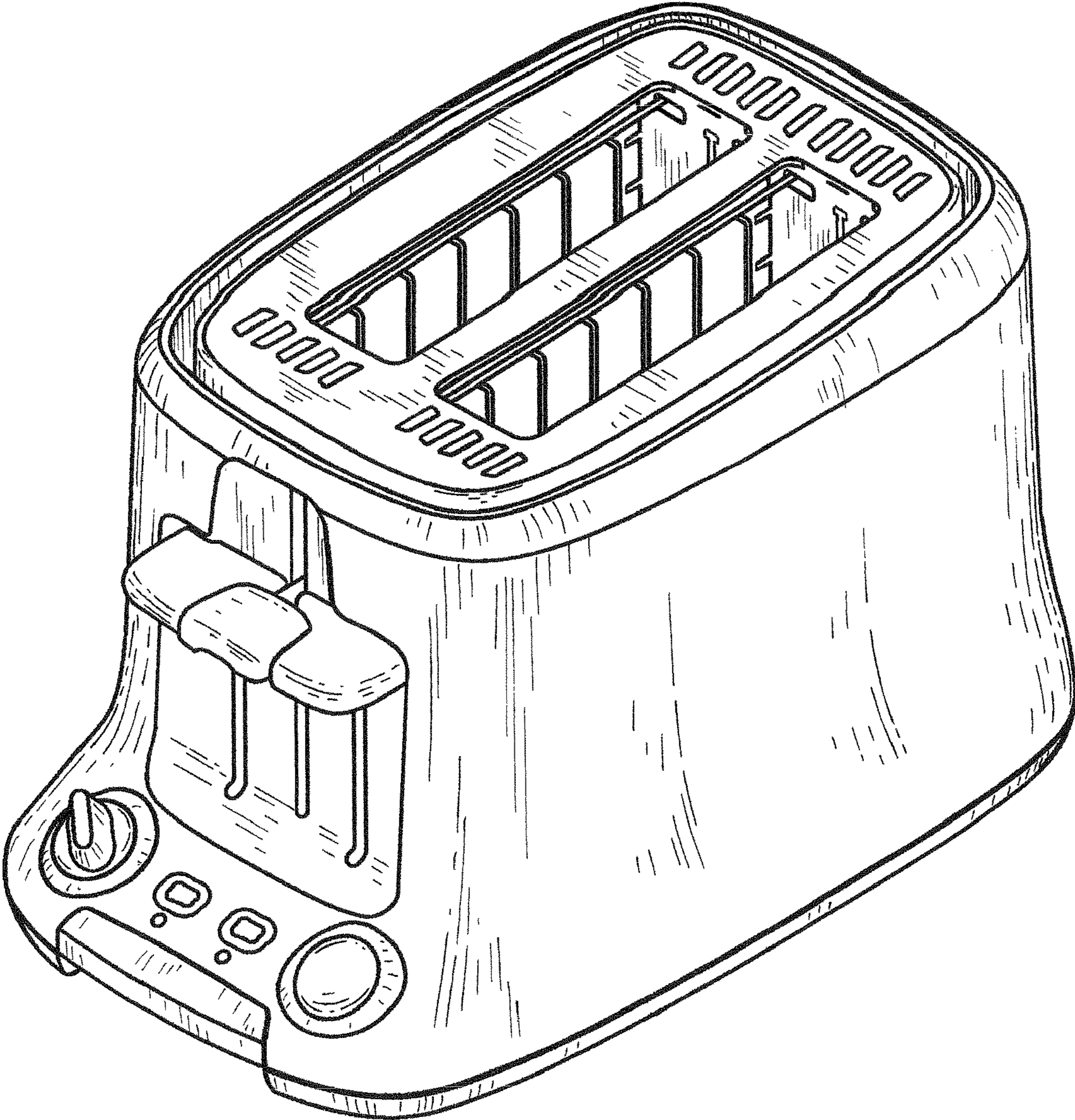


FIG. 7