



US00D582190S

(12) **United States Design Patent**
Valiulis et al.

(10) **Patent No.:** **US D582,190 S**
(45) **Date of Patent:** **** Dec. 9, 2008**

(54) **SLATWALL RECEPTACLE**

(75) Inventors: **Thomas E. Valiulis**, Rockford, IL (US);
Robert L. Northrup, Jr., Machesney
Park, IL (US); **Patrick J. Barkdoll**,
Pecatonica, IL (US)

(73) Assignee: **Southern Imperial, Inc.**, Rockford, IL
(US)

(**) Term: **14 Years**

(21) Appl. No.: **29/303,680**

(22) Filed: **Feb. 14, 2008**

(51) **LOC (8) Cl.** **06-04**

(52) **U.S. Cl.** **D6/567**

(58) **Field of Classification Search** D6/553,
D6/567; D3/304; D8/367, 370; 211/86.01,
211/88.01, 126.1; 248/200, 205.1, 220.21,
248/220.31, 220.41, 302, 304, 309.1, 309.2
See application file for complete search history.

(56) **References Cited**

U.S. PATENT DOCUMENTS

4,687,094	A *	8/1987	Allsop et al.	211/88.01
D309,920	S *	8/1990	Malinovsky	D3/304
D335,996	S *	6/1993	Evenson	D6/553
D373,039	S *	8/1996	Cohen et al.	D6/566
D446,391	S *	8/2001	Sterling et al.	D3/304

* cited by examiner

Primary Examiner—Brian N Vinson

(74) *Attorney, Agent, or Firm*—Reinhart Boerner Van Deuren
P.C.

(57) **CLAIM**

I claim the ornamental design for the slatwall receptacle, as shown and described.

DESCRIPTION

FIG. 1 is a perspective view of a slatwall receptacle for mounting to a slatwall or pegboard in accordance with an embodiment of the present invention, in which the slatwall receptacle may be opaque and in which dash lines are used to demonstrate that such features as a plastic material gate or other such surface interruptions are optional and form no part of the claim design;

FIG. 2 is a right-side view of the receptacle shown in FIG. 1; FIG. 3 is a top view of the receptacle shown in FIG. 1;

FIG. 4 is a bottom view of the receptacle shown in FIG. 1;

FIG. 5 is a front view of the receptacle shown in FIG. 1;

FIG. 6 is a rear view of the receptacle shown in FIG. 1;

FIG. 7 is a left-side view of the receptacle shown in FIG. 1;

FIG. 8 is a perspective view of a slatwall receptacle for mounting to a slatwall or pegboard in accordance with an embodiment of the present invention, in which the slatwall receptacle may be translucent and in which dash lines are used to demonstrate that such features as a plastic material gate or other such surface interruptions are optional and form no part of the claim design;

FIG. 9 is a right-side view of the receptacle shown in FIG. 8;

FIG. 10 is a top view of the receptacle shown in FIG. 8;

FIG. 11 is a bottom view of the receptacle shown in FIG. 8;

FIG. 12 is a front view of the receptacle shown in FIG. 8;

FIG. 13 is a rear view of the receptacle shown in FIG. 8; and,

FIG. 14 is a left-side view of the receptacle shown in FIG. 8.

1 Claim, 8 Drawing Sheets

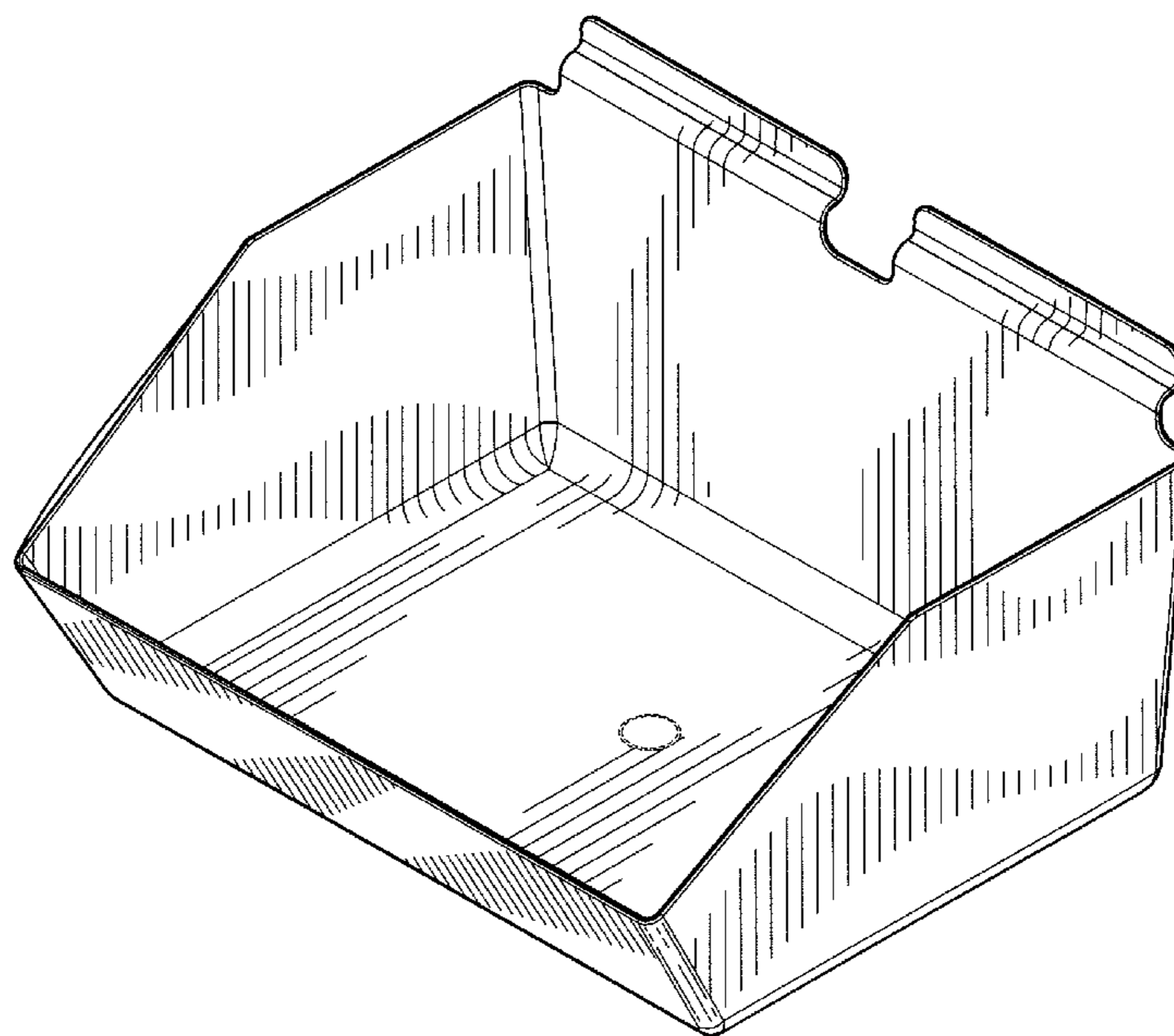


FIG. 1

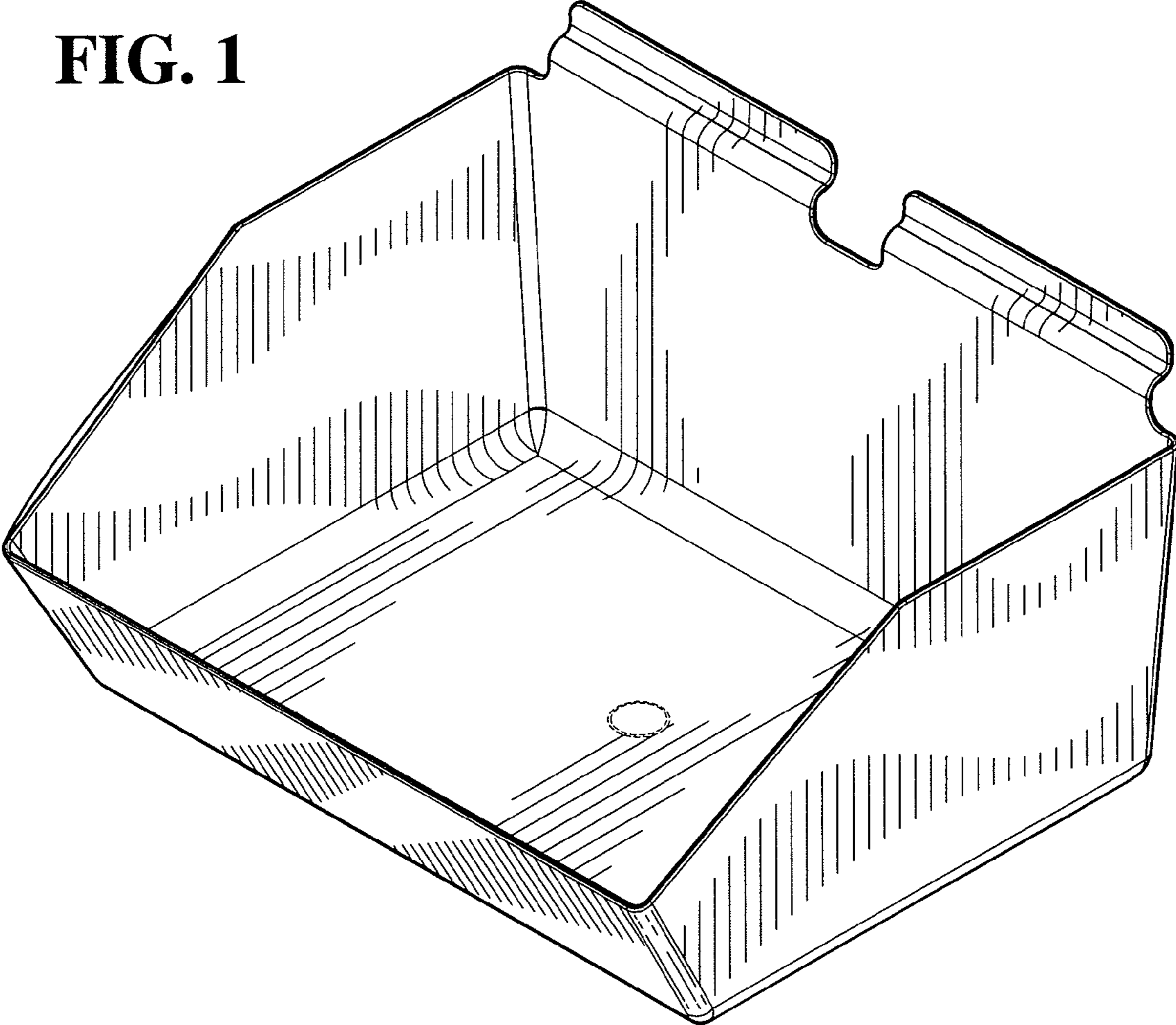


FIG. 2

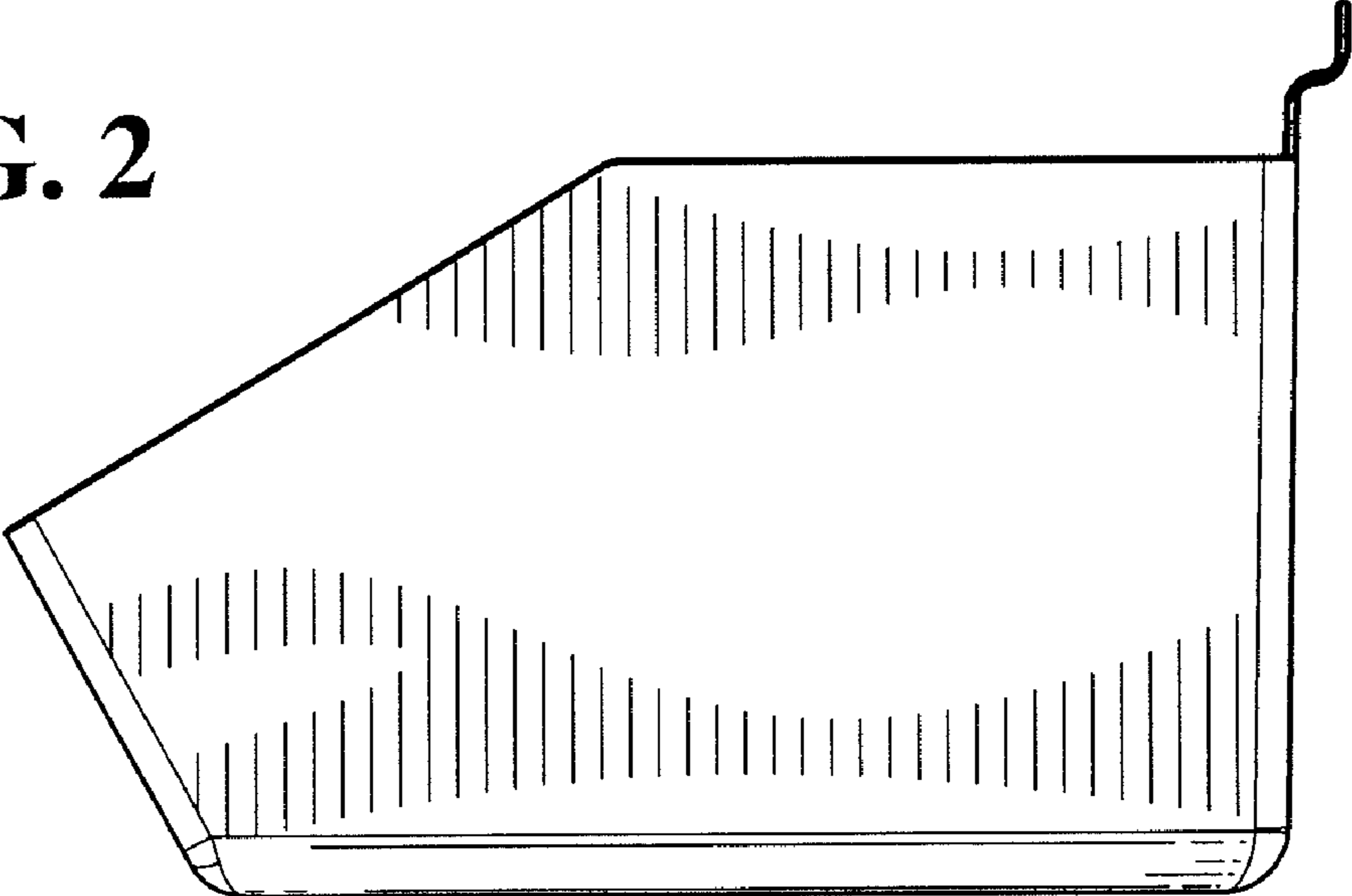


FIG. 3

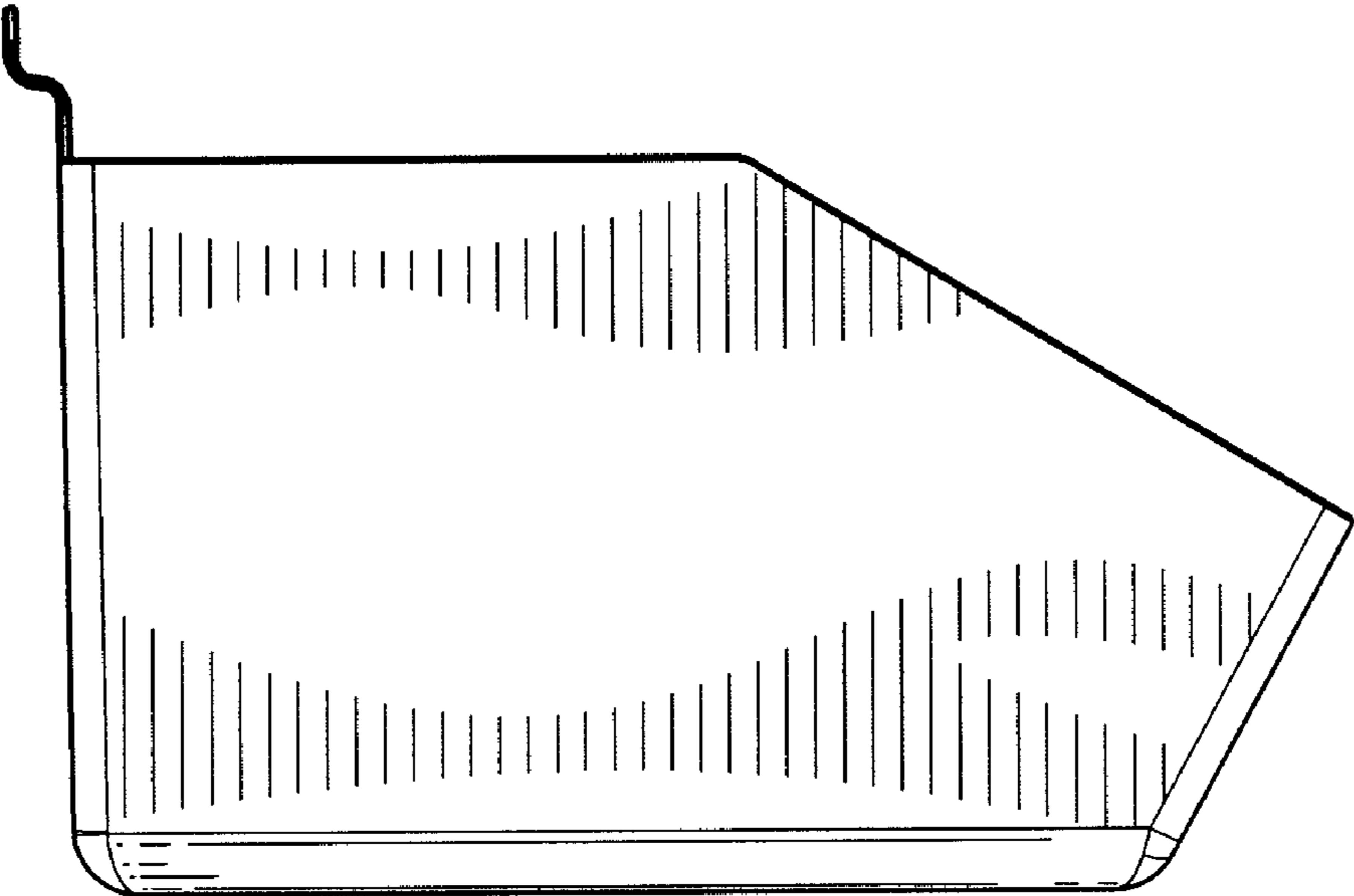


FIG. 5

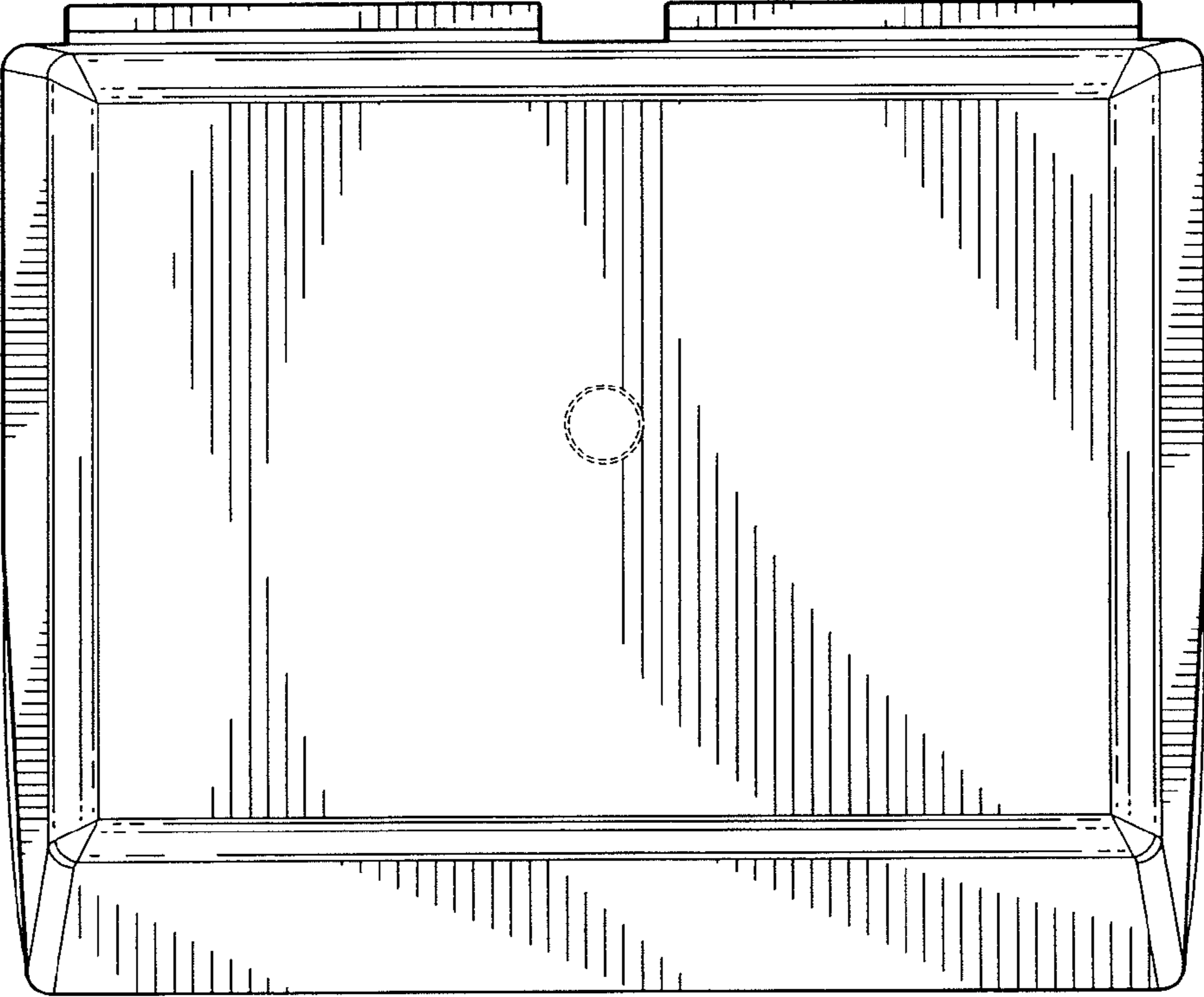


FIG. 4

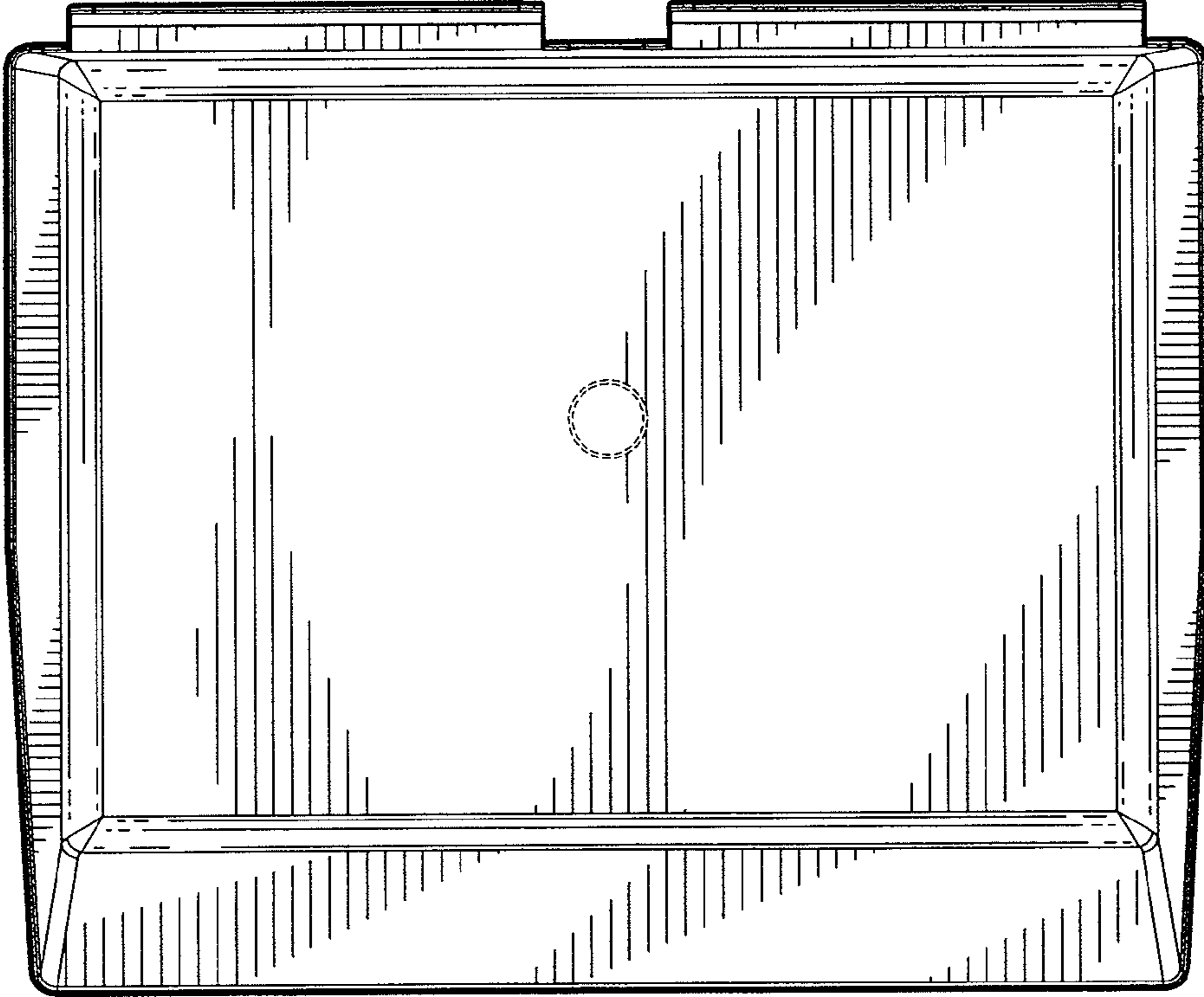


FIG. 6

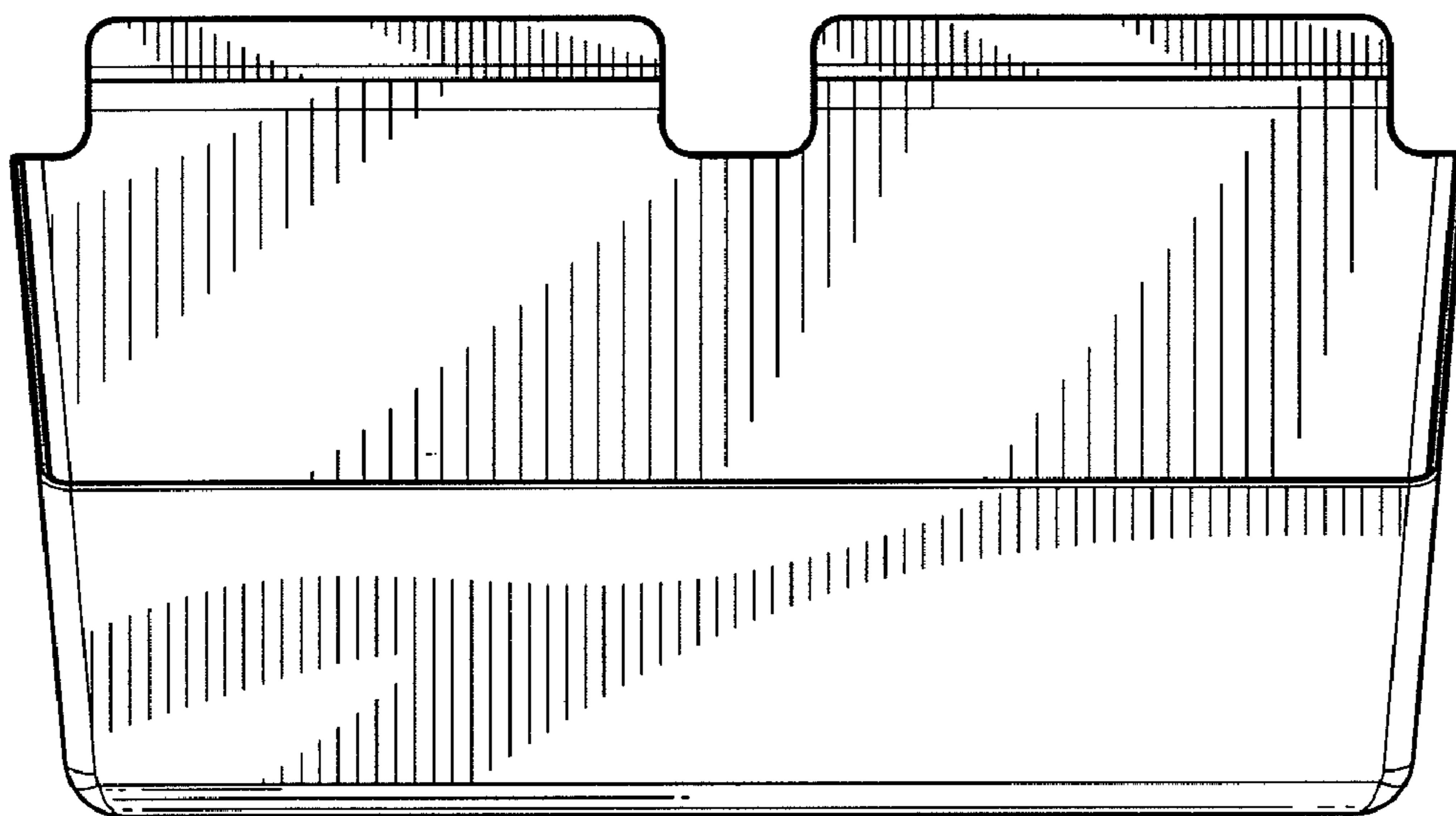


FIG. 7

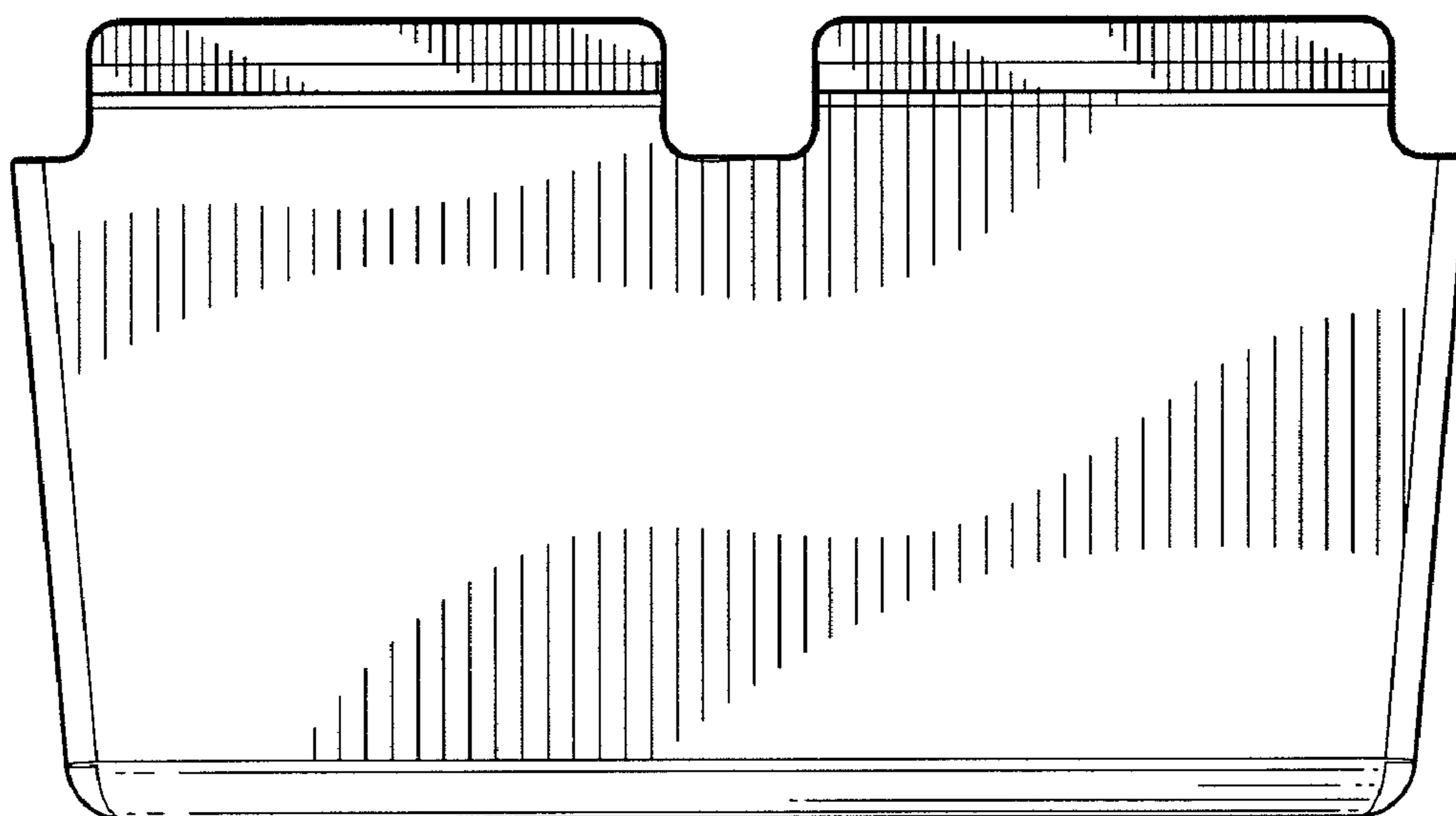


FIG. 8

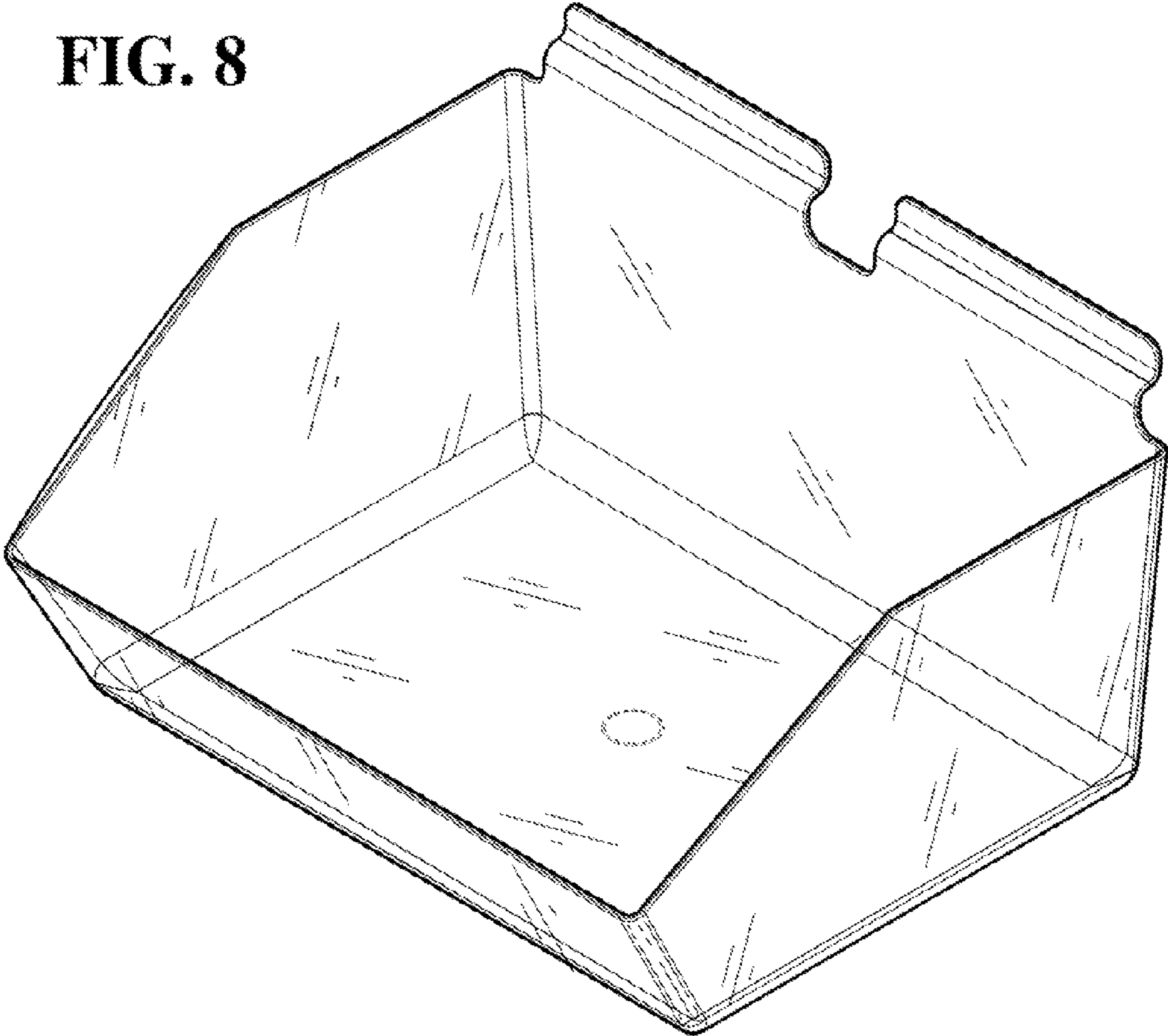


FIG. 9

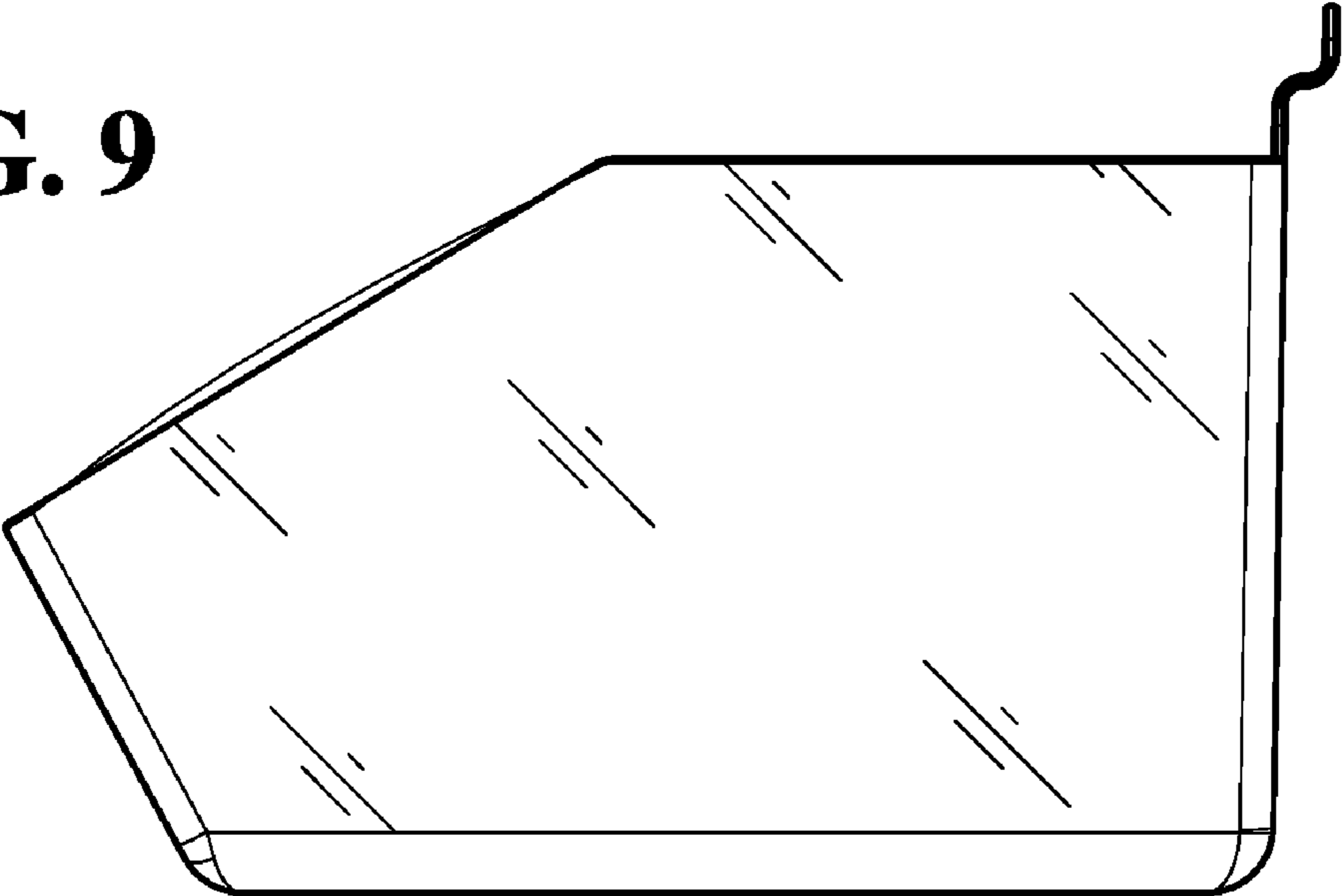


FIG. 10

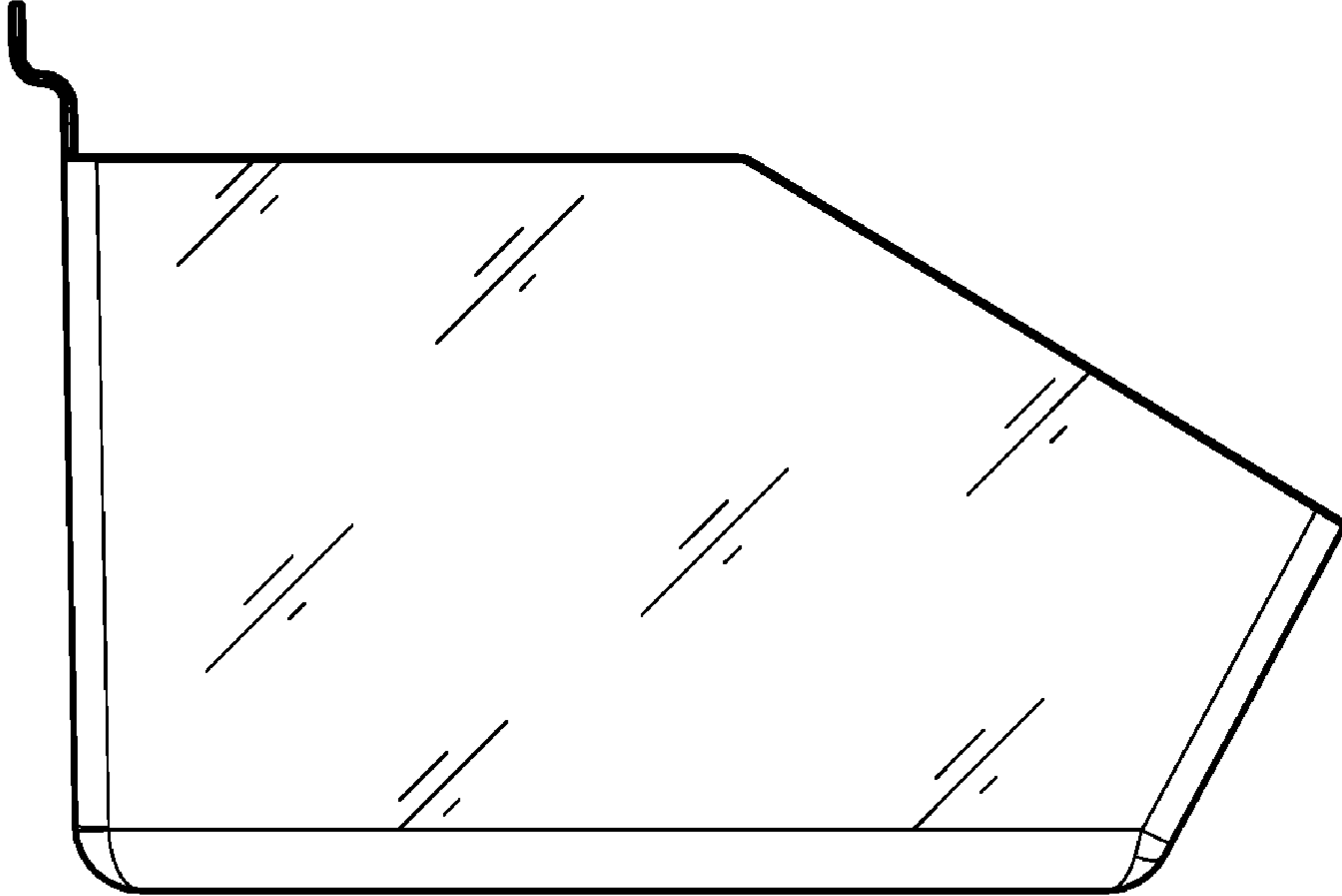


FIG. 12

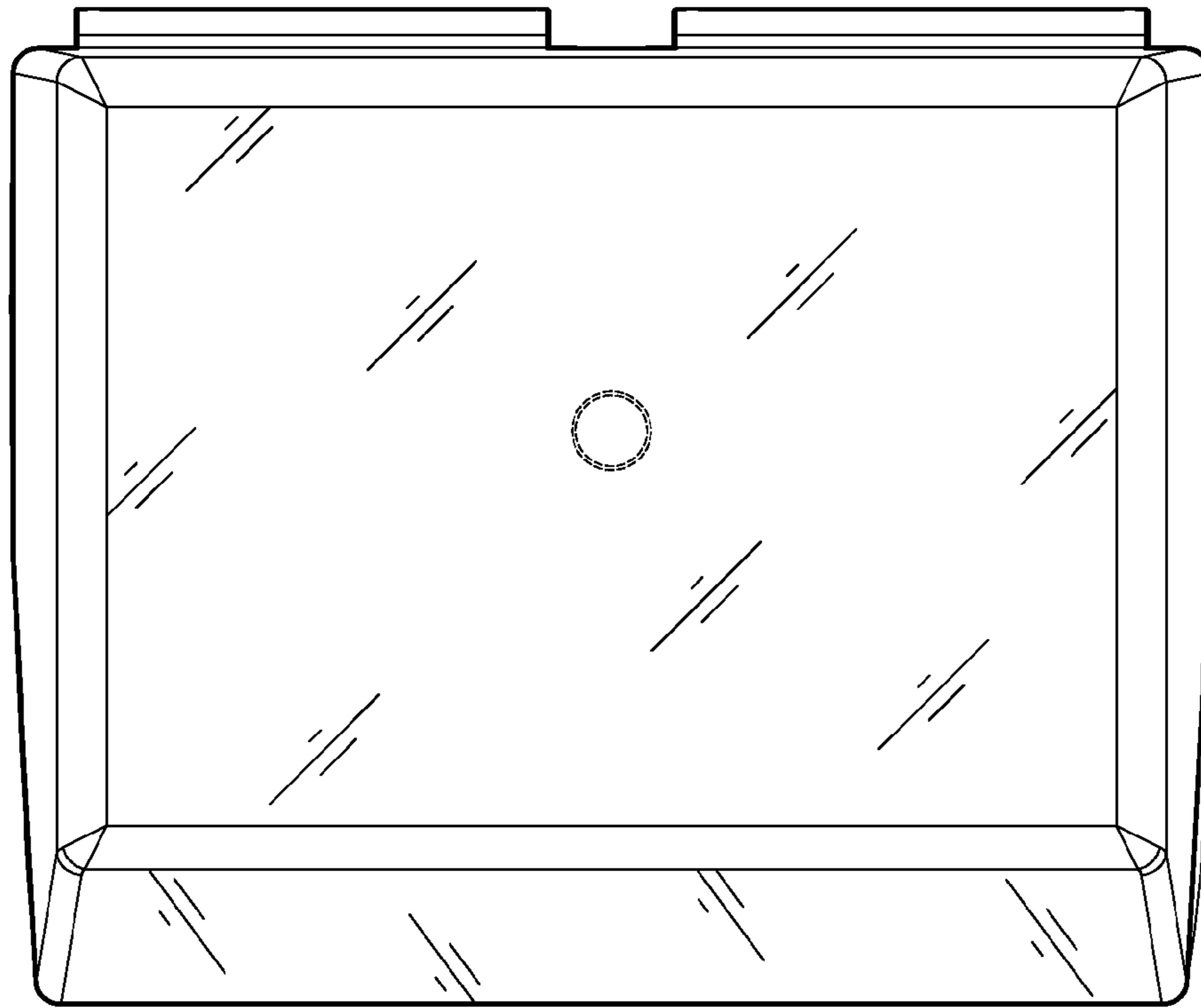


FIG. 11

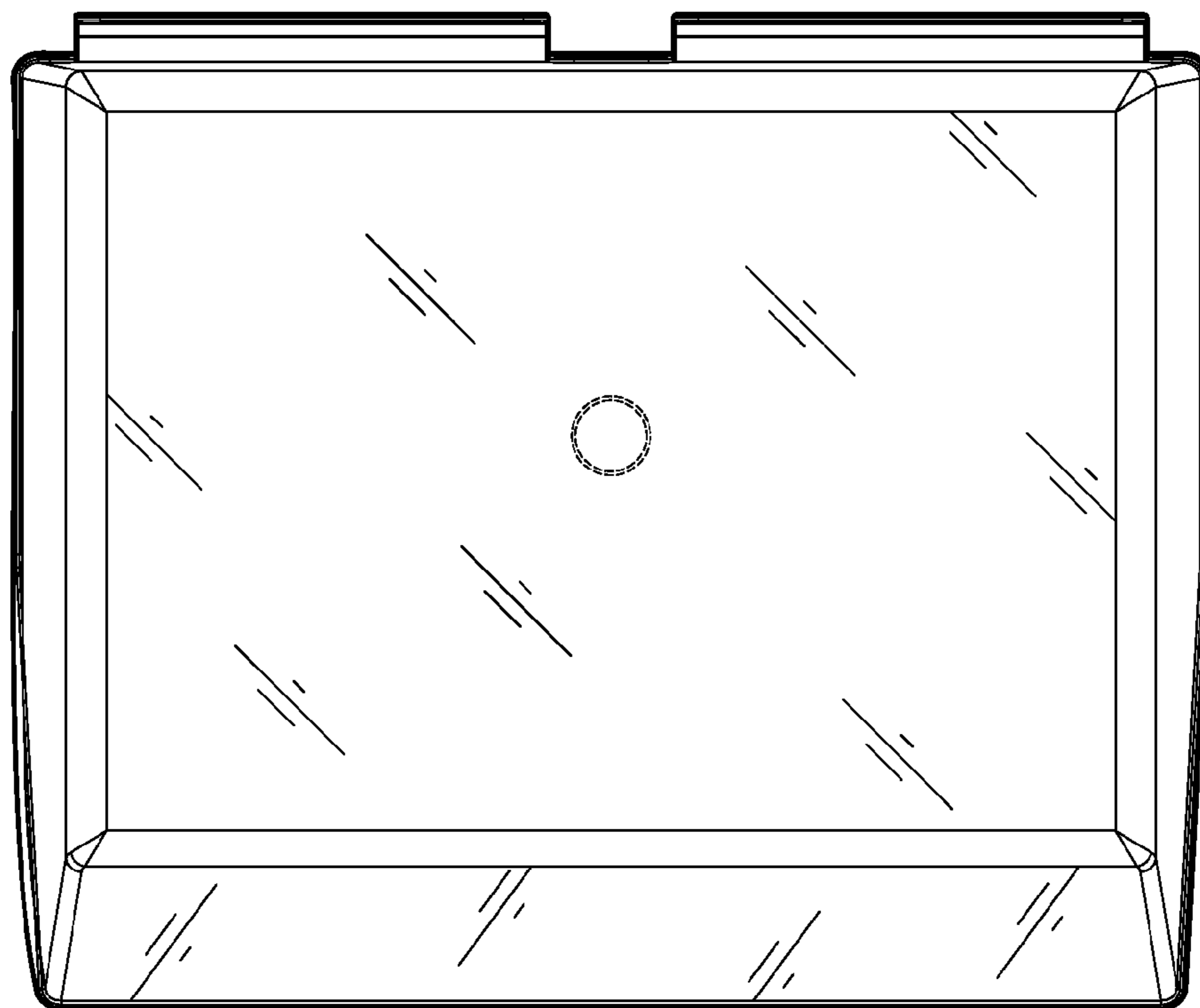


FIG. 13

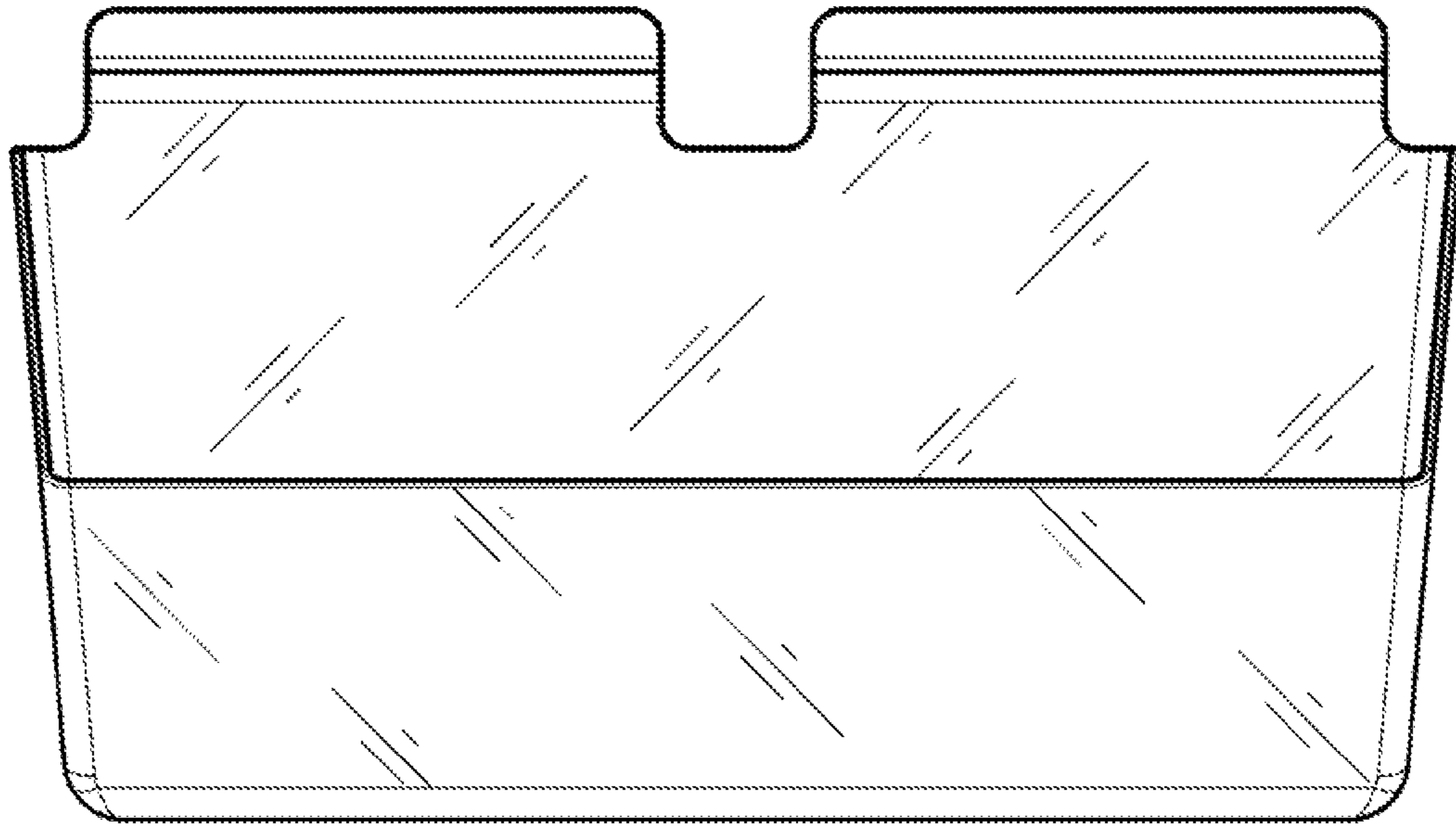


FIG. 14

