



US00D582185S

(12) **United States Design Patent**
Gilbert et al.

(10) **Patent No.:** **US D582,185 S**
(45) **Date of Patent:** **** Dec. 9, 2008**

- (54) **SEAT**
 - (75) Inventors: **Christopher Jon Gilbert**, Moreland Hills, OH (US); **Victoria A. Miller**, Medina, OH (US)
 - (73) Assignee: **Moen Incorporated**, North Olmsted, OH (US)
 - (**) Term: **14 Years**
 - (21) Appl. No.: **29/322,688**
 - (22) Filed: **Aug. 8, 2008**
 - (51) **LOC (8) Cl.** **06-01**
 - (52) **U.S. Cl.** **D6/502**
 - (58) **Field of Classification Search** D6/334–336, D6/349, 368, 374, 377, 379, 380, 500–502; D23/303, 304; 4/559, 560.1, 572.1, 573.1, 4/578.1, 579; 297/24, 183.1, 183.7, 338, 297/445.1, 446.1, 451.11, 451.18, 452.21, 297/452.36, 452.38
- See application file for complete search history.

- 6,122,776 A 9/2000 Cheng
- D438,734 S 3/2001 Turner et al.
- D478,749 S * 8/2003 Gilbert et al. D6/500
- D479,051 S * 9/2003 Darst et al. D6/335
- D479,067 S * 9/2003 Gilbert et al. D6/502
- 6,974,191 B2 12/2005 Serhan
- D519,291 S 4/2006 Higgs et al.
- 7,121,620 B1 10/2006 Fang
- D557,516 S * 12/2007 Genord et al. D6/377
- D565,708 S * 4/2008 Genord et al. D23/304
- 2003/0102700 A1 6/2003 Lin
- 2004/0051365 A1 3/2004 Darst et al.

* cited by examiner

Primary Examiner—Mimosa De

(74) *Attorney, Agent, or Firm*—Calfee, Halter & Griswold LLP

(57) **CLAIM**

The ornamental design for a seat, as shown and described.

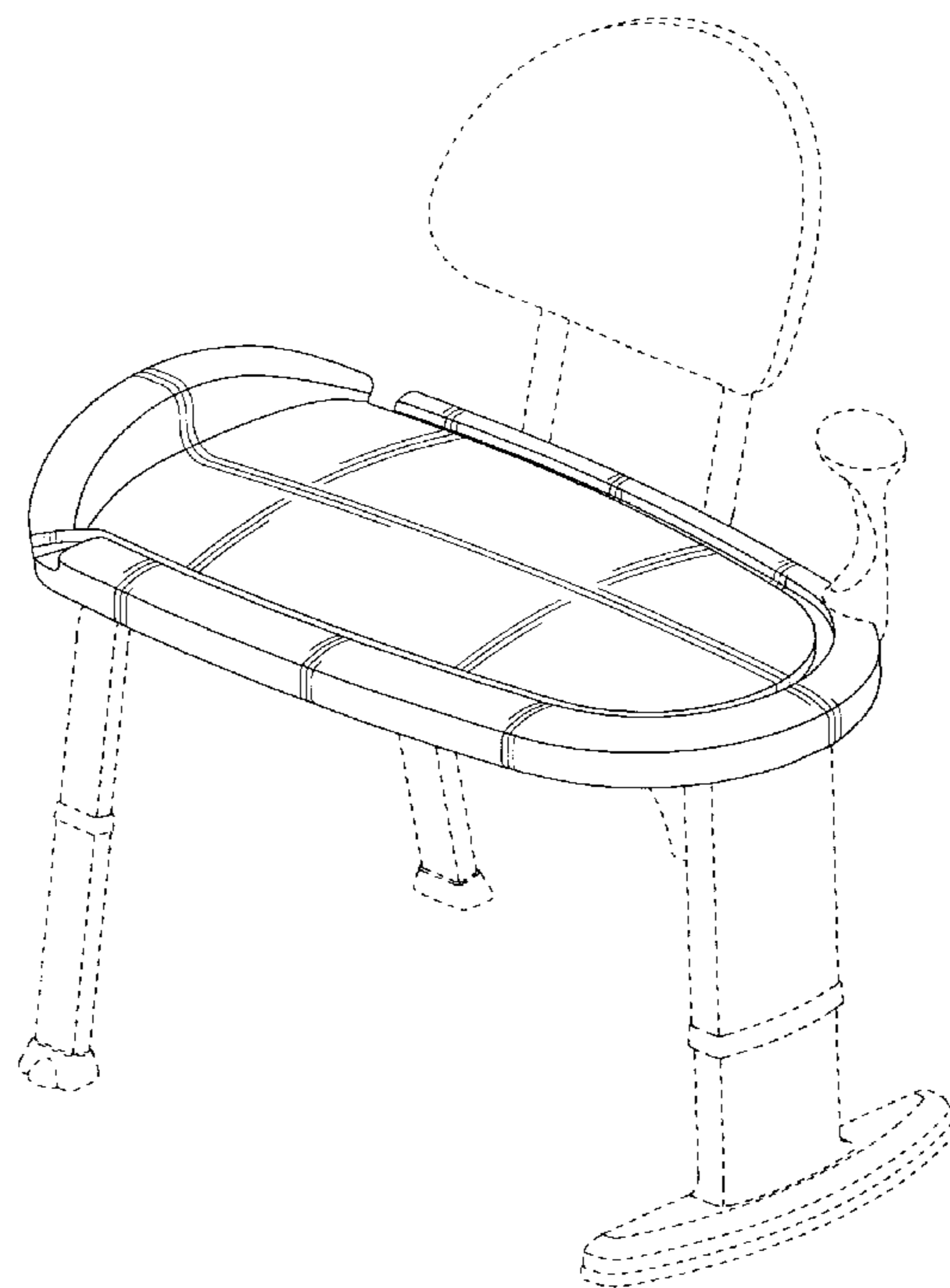
DESCRIPTION

FIG. 1 is a perspective view of a seat of the new design;
 FIG. 2 is a front elevational view of the seat of FIG. 1;
 FIG. 3 is a rear elevational view of the seat of FIG. 1;
 FIG. 4 is a left side elevational view of the seat of FIG. 1;
 FIG. 5 is a right side elevational view of the seat of FIG. 1;
 and,
 FIG. 6 is a top plan view of the seat of FIG. 1.

The portions of the Figures shown in broken lines are not part of the claimed design and are for illustration only.

1 Claim, 4 Drawing Sheets

- (56) **References Cited**
- U.S. PATENT DOCUMENTS
- 3,814,399 A * 6/1974 Melreit 4/559
- 4,034,425 A * 7/1977 Van Riemsdyck 4/576.1
- D347,526 S 6/1994 Hamilton
- D375,638 S * 11/1996 Dhanapal et al. D6/377
- 5,903,935 A * 5/1999 Huelke 4/560.1
- 5,940,905 A 8/1999 Cheng
- 6,039,403 A 3/2000 Hargroder
- 6,105,183 A * 8/2000 Bly 4/579



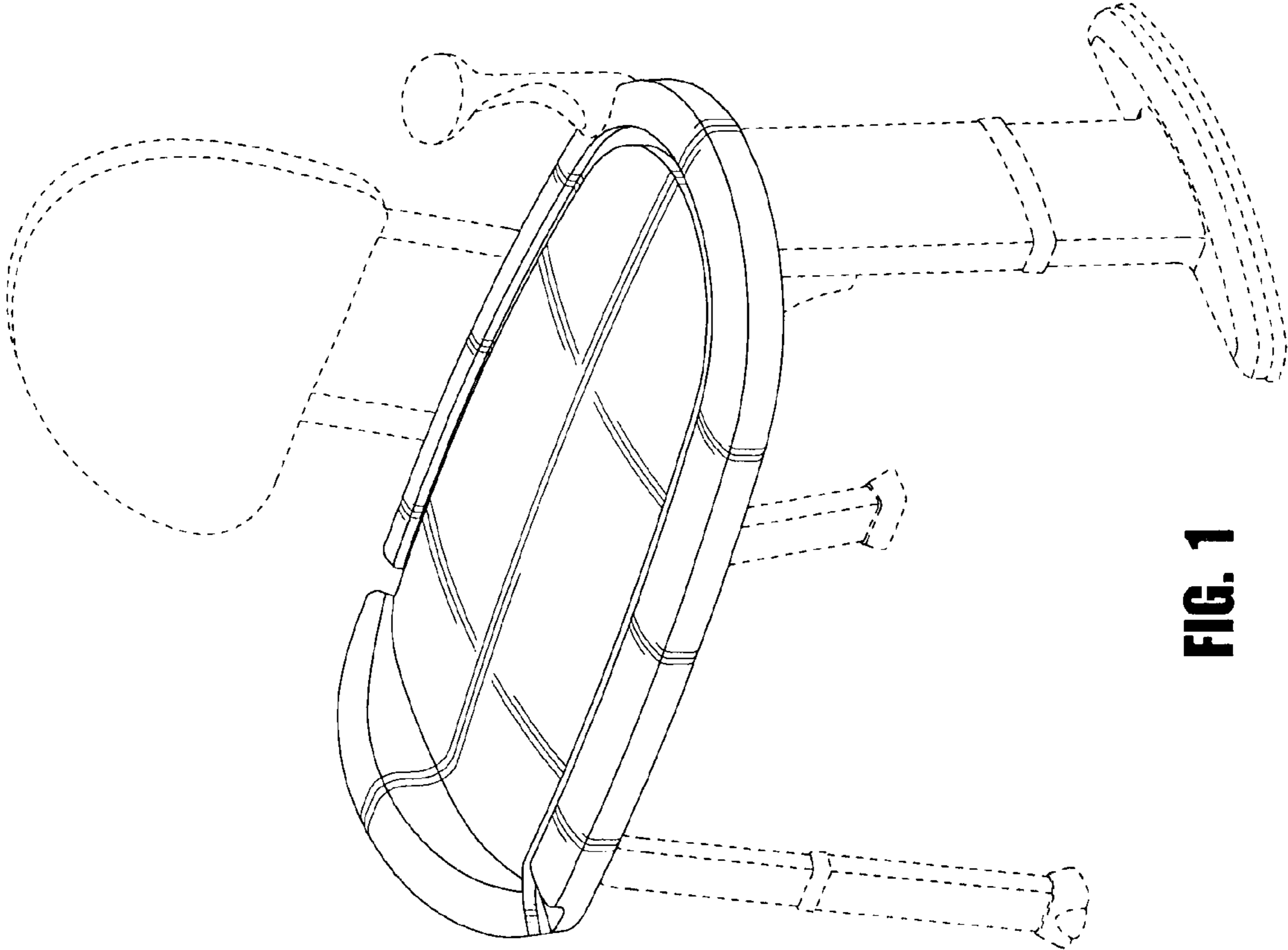


FIG. 1

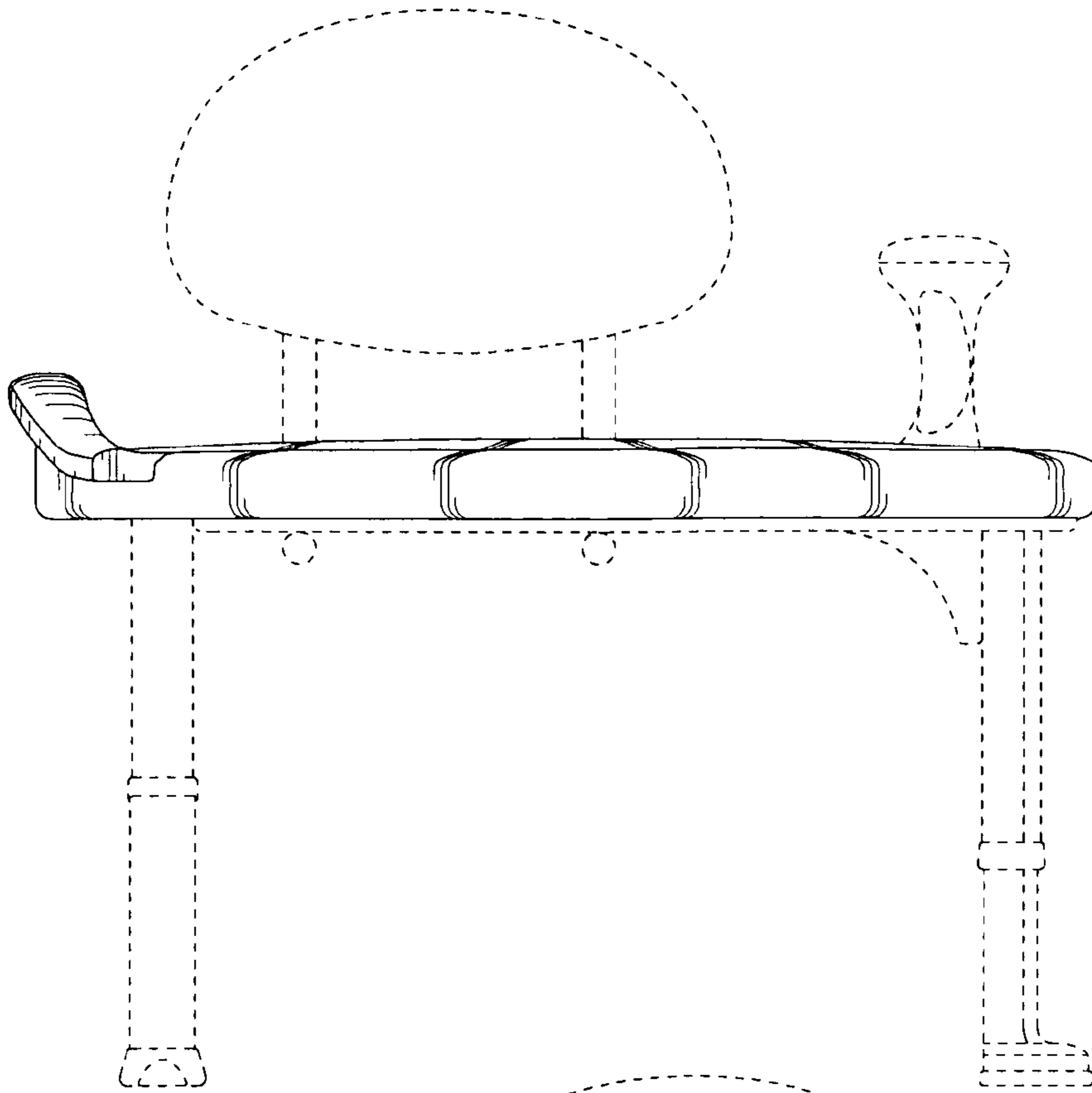


FIG. 2

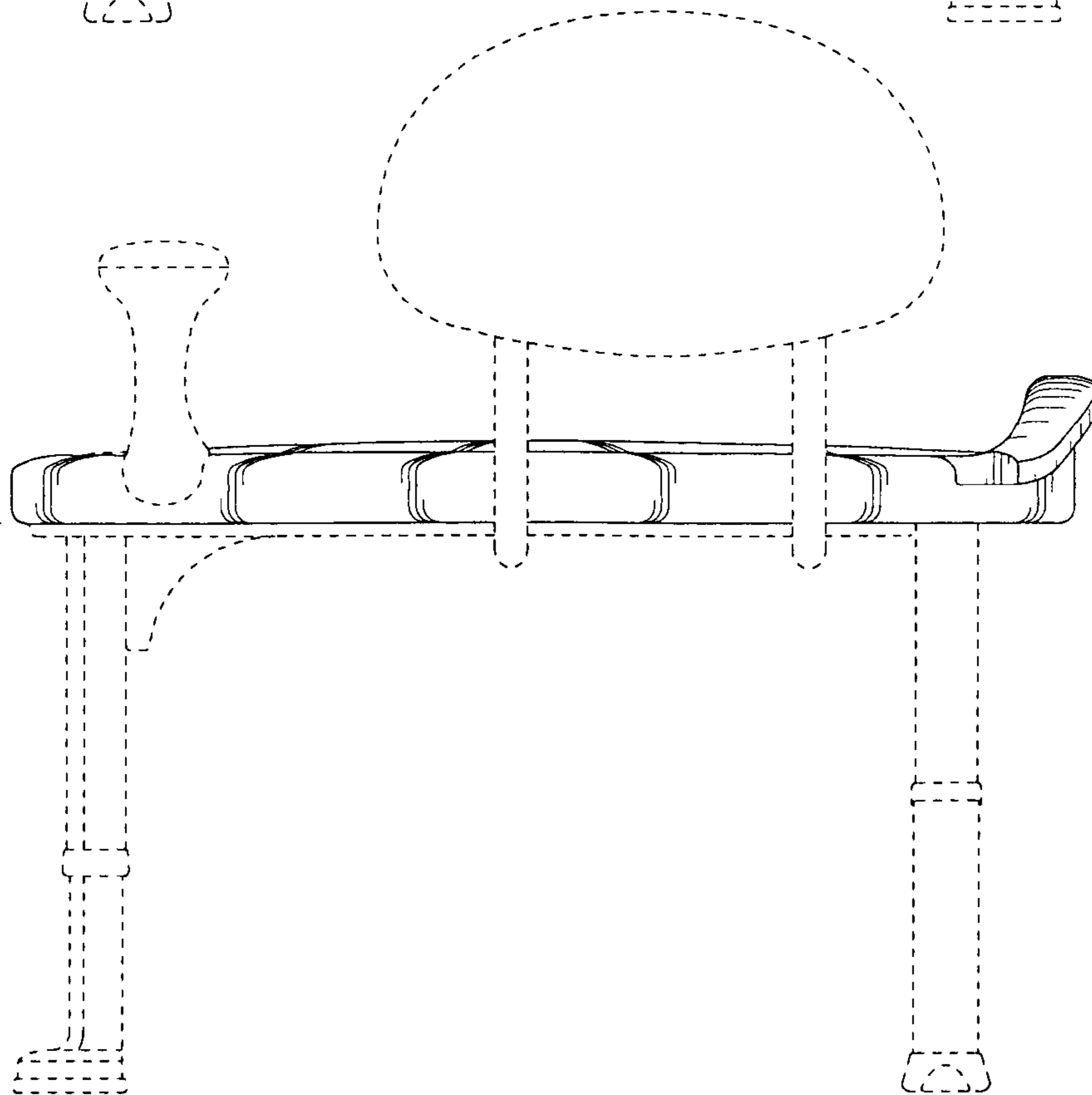


FIG. 3

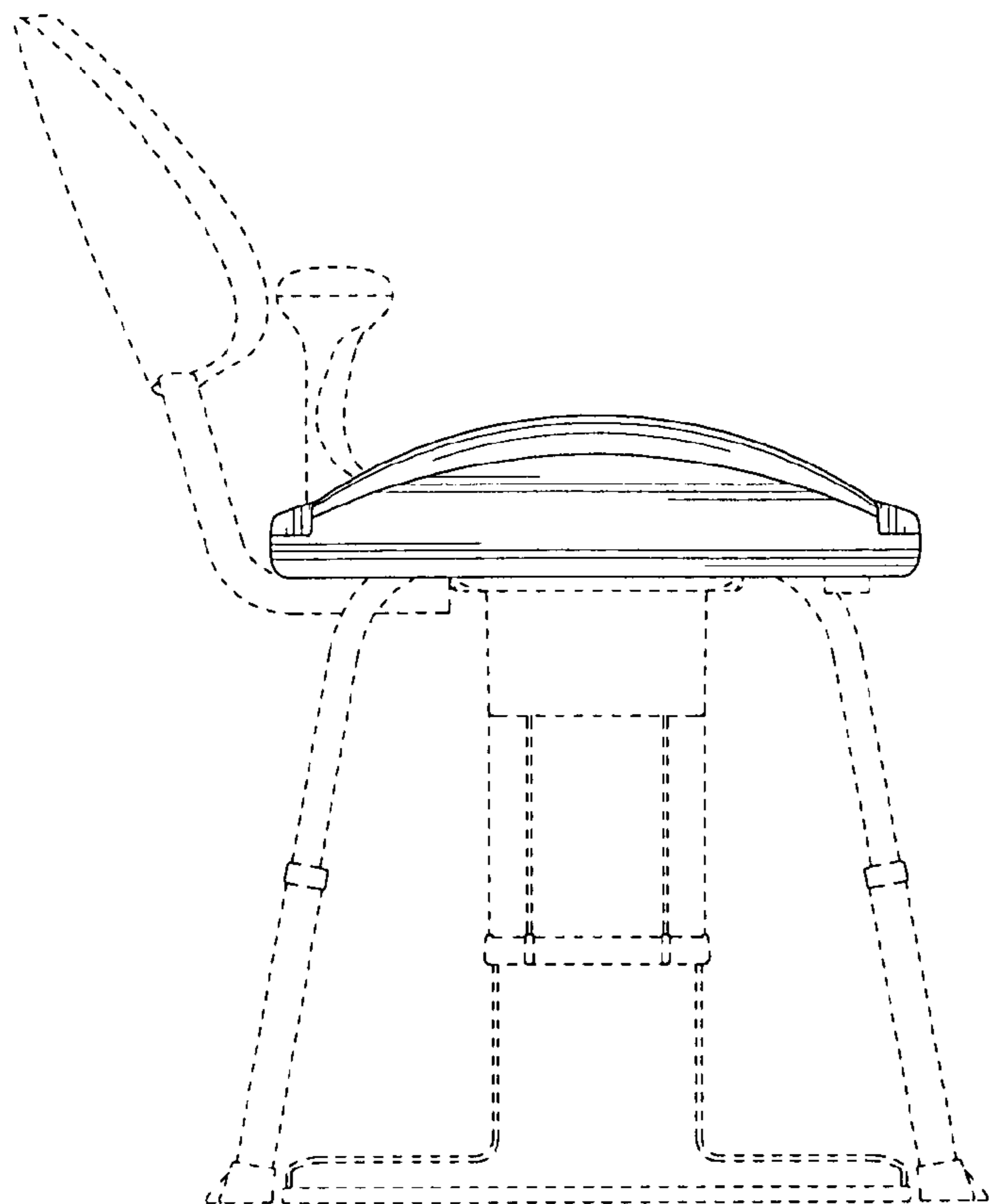


FIG. 4

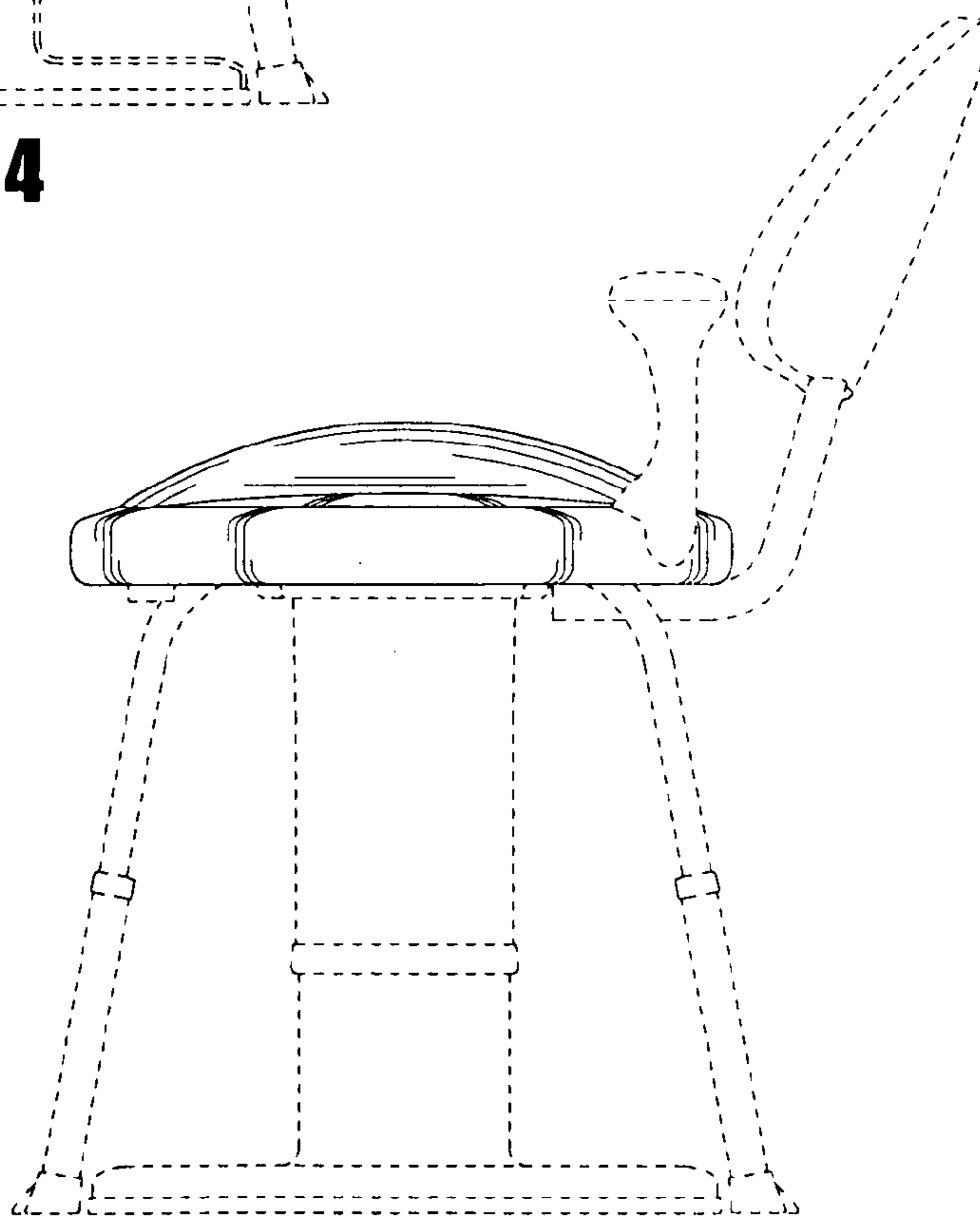


FIG. 5

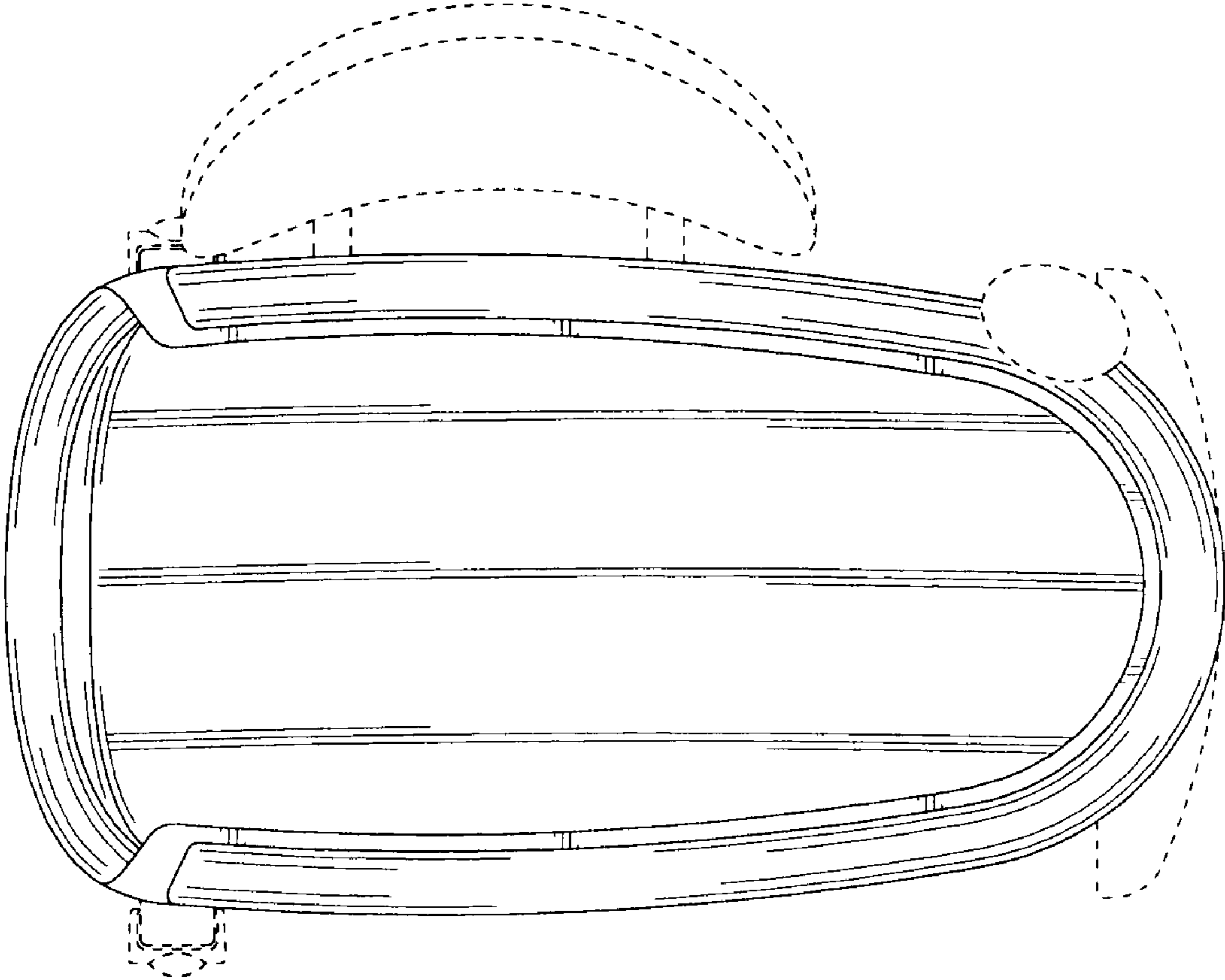


FIG. 6