



US00D582181S

(12) **United States Design Patent**
Gasser

(10) **Patent No.:** **US D582,181 S**
(45) **Date of Patent:** **** Dec. 9, 2008**

(54) **ELECTRICAL DRIVE DEVICE FOR MOVABLE FURNITURE PARTS**

(75) Inventor: **Ingo Gasser**, Höchst (AT)
(73) Assignee: **Julius Blum GmbH**, Hochst (AT)
(**) Term: **14 Years**
(21) Appl. No.: **29/274,583**
(22) Filed: **May 7, 2007**

(51) **LOC (8) Cl.** **06-01**
(52) **U.S. Cl.** **D6/491**
(58) **Field of Classification Search** D6/364-369,
D6/334-336, 356, 358, 370, 372-375, 379,
D6/491, 495, 498, 500-502; 297/411.2,
297/411.27, 411.28, 411.36, 452.29, 284.4,
297/452.3

See application file for complete search history.

(56) **References Cited**

U.S. PATENT DOCUMENTS

D431,944 S *	10/2000	Cazarez et al.	D6/501
D483,582 S *	12/2003	Chen	D6/500
D544,258 S *	6/2007	Chen	D6/500
D549,016 S *	8/2007	Donati	D6/500
D550,991 S *	9/2007	Donati	D6/500
D557,946 S *	12/2007	Matern et al.	D6/500
D573,815 S *	7/2008	Matern	D6/500

* cited by examiner

Primary Examiner—Robert M Spear
Assistant Examiner—Katrina A Kile
(74) *Attorney, Agent, or Firm*—Wenderoth, Lind & Ponack, L.L.P.

(57) **CLAIM**

The ornamental design for an electrical drive device for movable furniture parts, as shown and described.

DESCRIPTION

FIG. 1 is a perspective view of an electrical drive device for movable furniture parts;
FIG. 2 is a bottom view of the electrical drive device for movable furniture parts of FIG. 1;
FIG. 3 is a front view of the electrical drive device for movable furniture parts of FIG. 1;
FIG. 4 is a top view of the electrical drive device for movable furniture parts of FIG. 1;
FIG. 5 is a back view of the electrical drive device for movable furniture parts of FIG. 1;
FIG. 6 is a right side view of the electrical drive device for movable furniture parts of FIG. 1; and,
FIG. 7 is a left side view of the electrical drive device for movable furniture parts of FIG. 1.

1 Claim, 7 Drawing Sheets

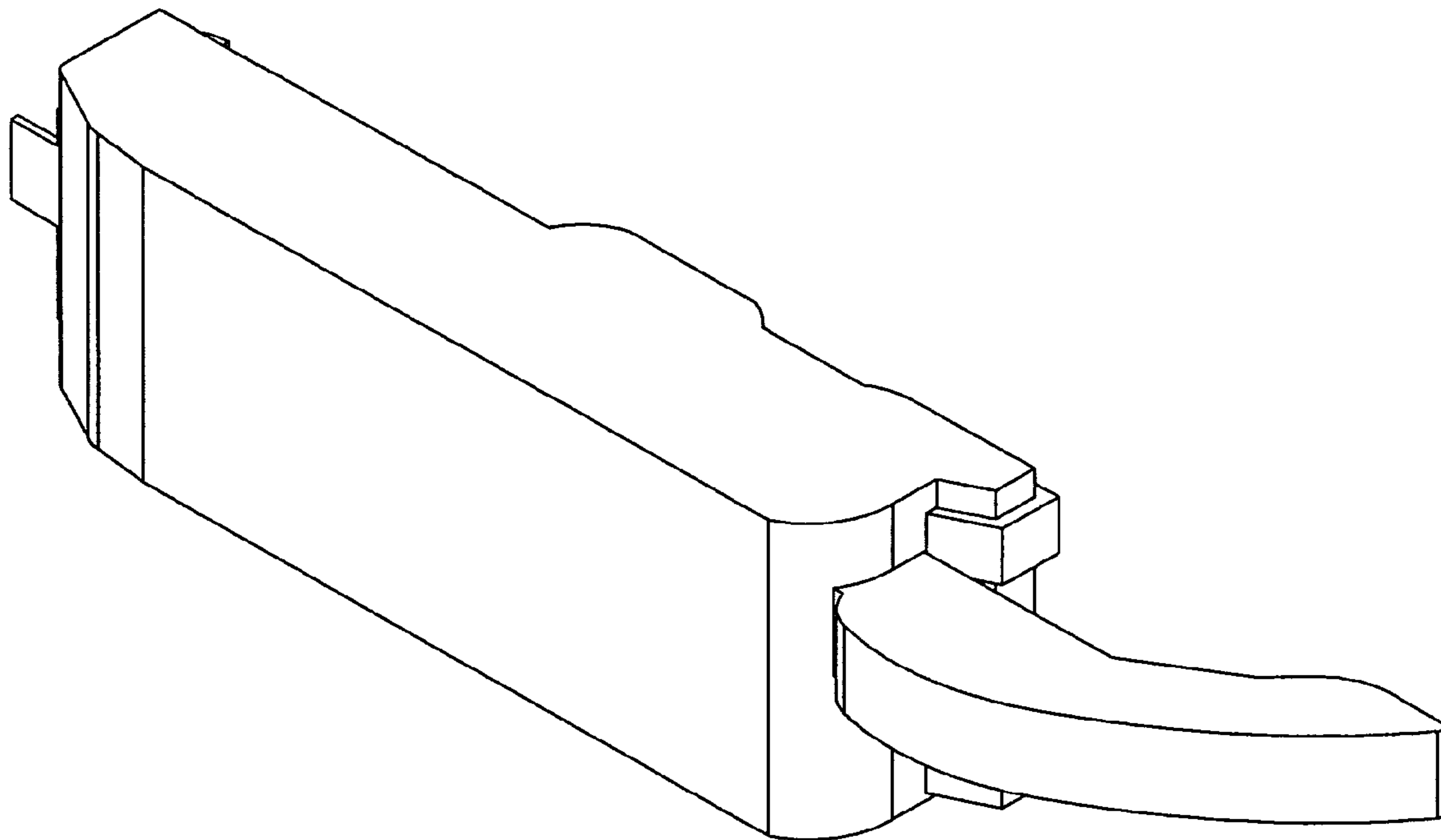


FIG. 1

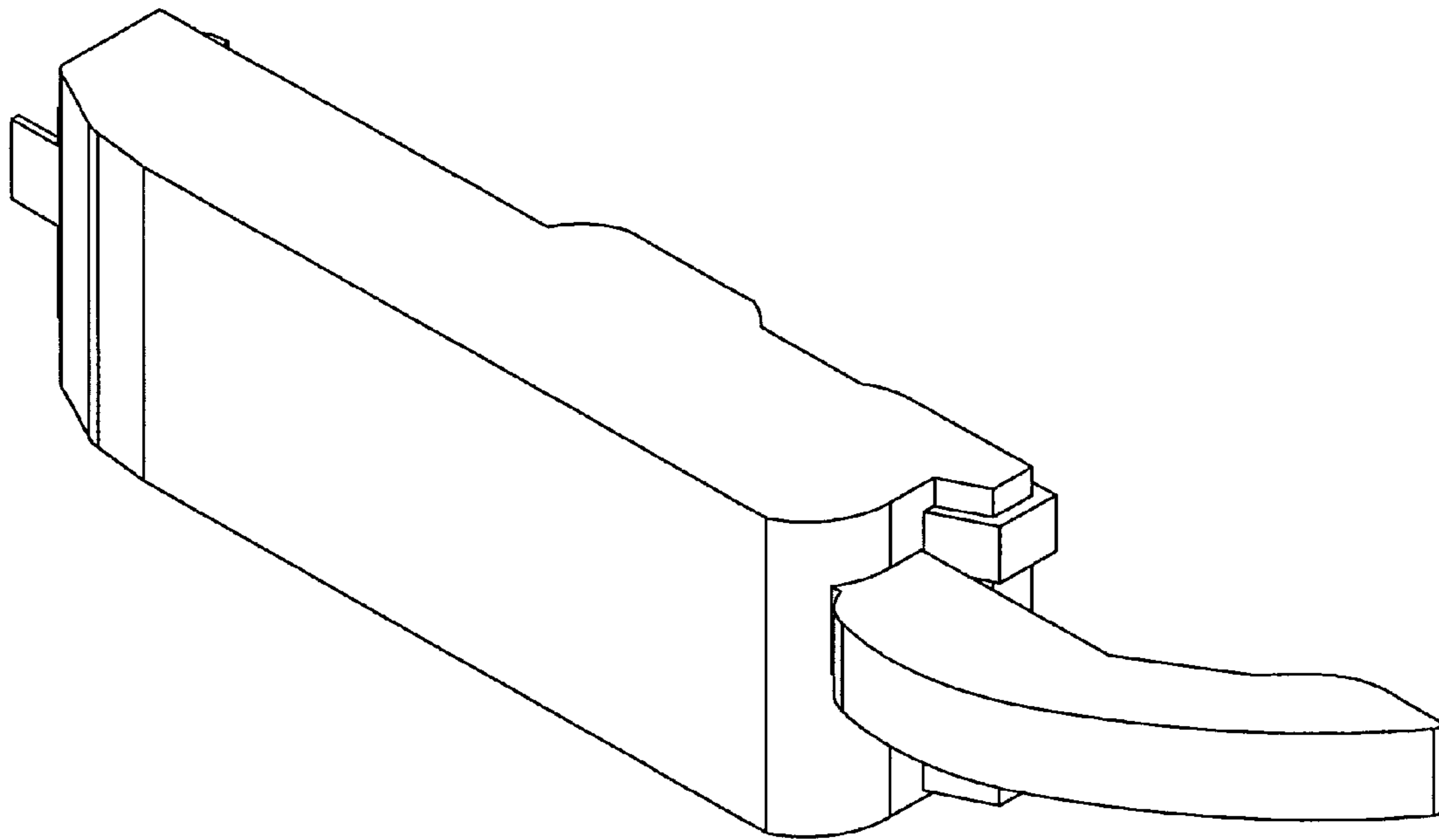


FIG. 2

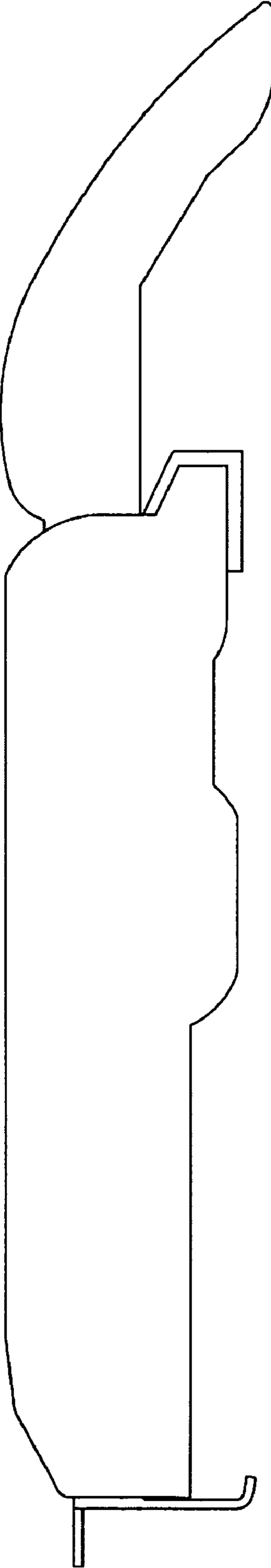


FIG. 3

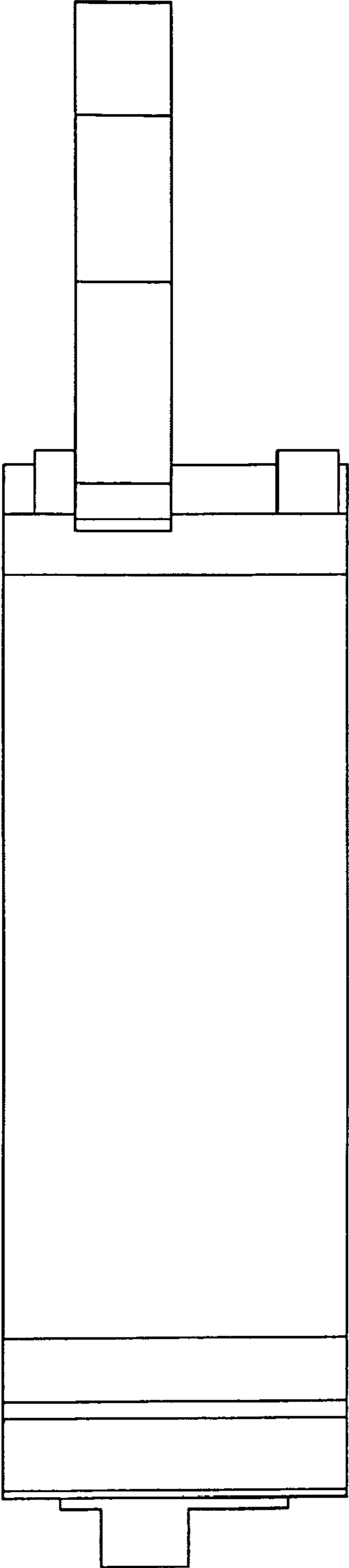


FIG. 4

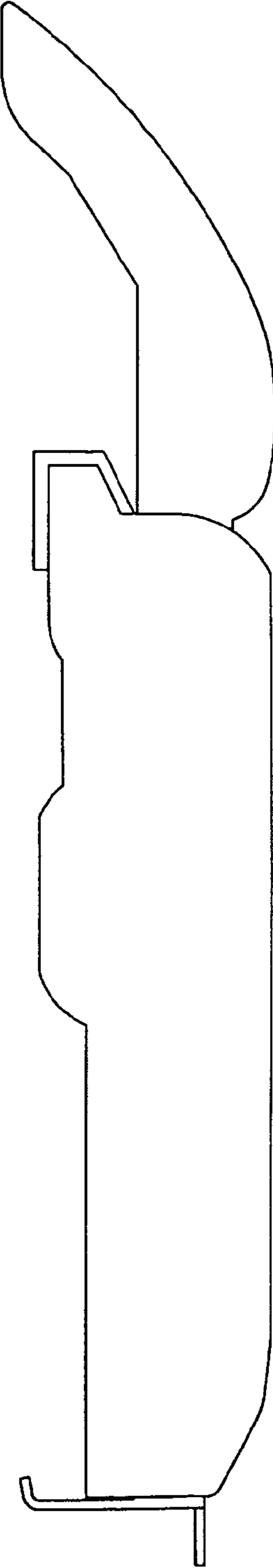


FIG. 5

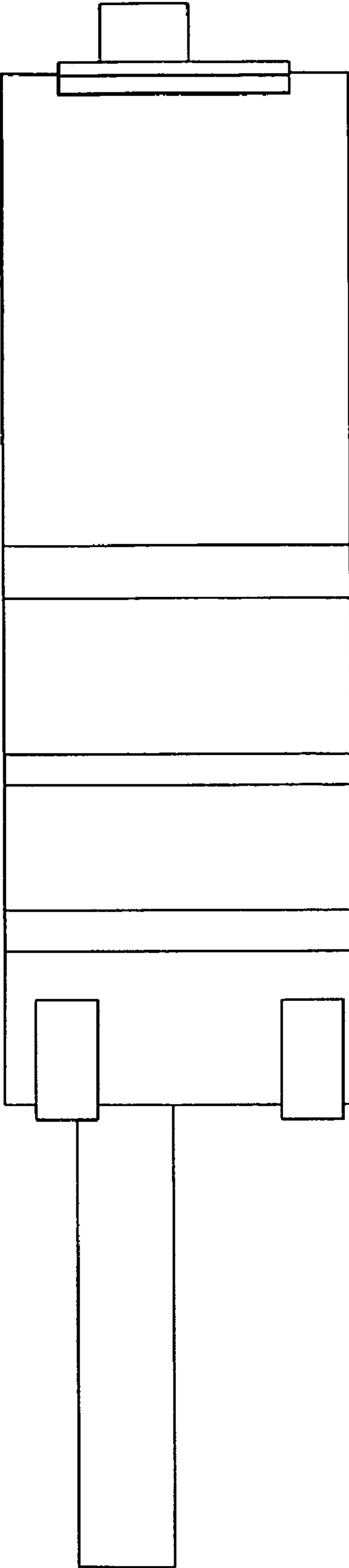


FIG. 6

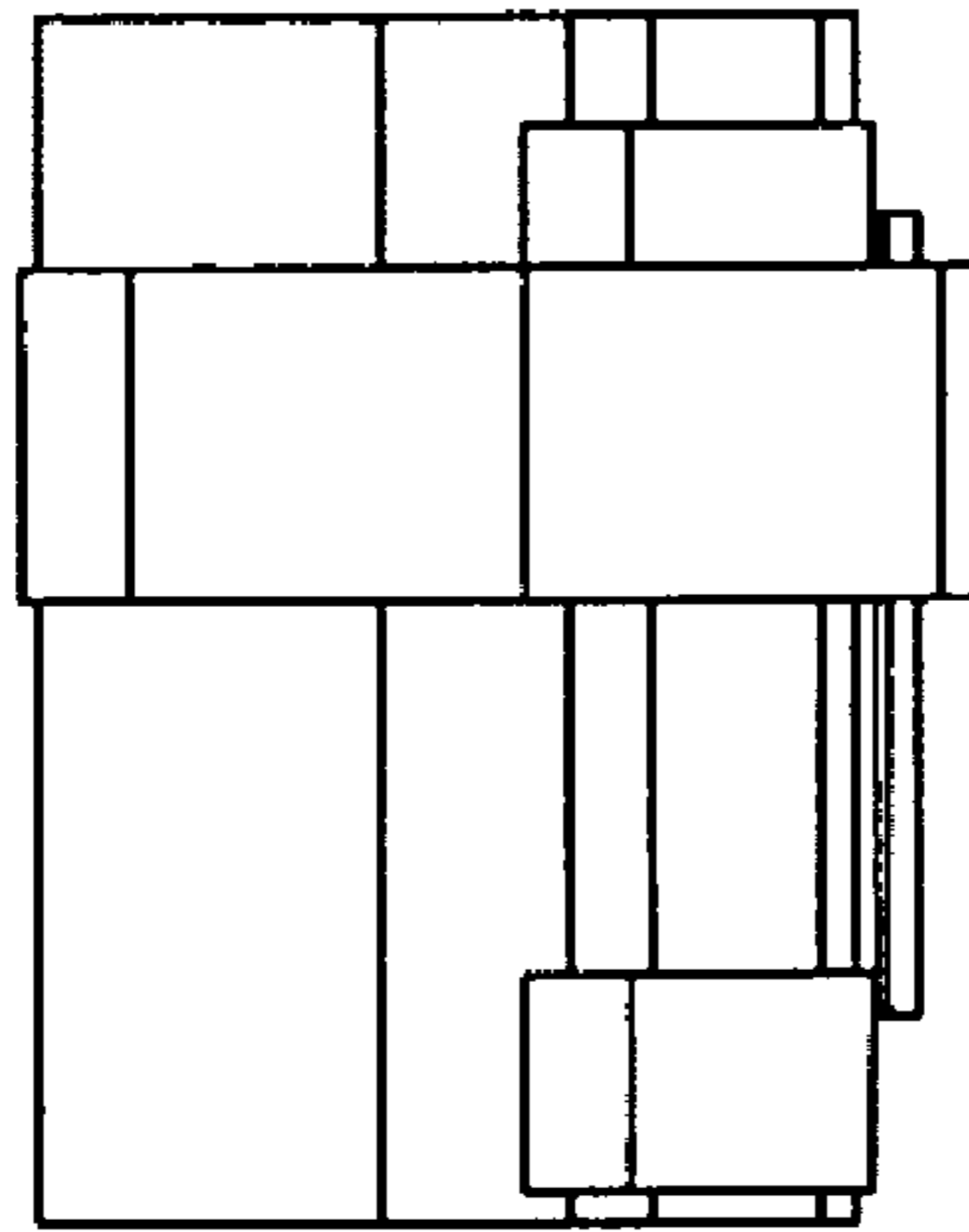


FIG. 7

