



US00D582180S

(12) **United States Design Patent**
Eustace et al.

(10) **Patent No.:** **US D582,180 S**
(45) **Date of Patent:** **** Dec. 9, 2008**

(54) **WORK TABLE**

(75) Inventors: **Brian Eustace**, Sierra Madre, CA (US);
Dan Aurel David, La Canada, CA (US);
Harry Randall Taylor, Whittier, CA
(US)

(73) Assignee: **Rapid Rock Industries, Inc.**, City of
Industry, CA (US)

(**) Term: **14 Years**

(21) Appl. No.: **29/304,855**

(22) Filed: **Mar. 7, 2008**

(51) **LOC (8) Cl.** **06-03**

(52) **U.S. Cl.** **D6/483**

(58) **Field of Classification Search** D6/480-489,
D6/495-499, 511, 451; 108/150, 153.1,
108/156, 157.1, 161; 248/188, 188.1, 188.8
See application file for complete search history.

(56) **References Cited**

U.S. PATENT DOCUMENTS

D234,735 S * 4/1975 Podell D6/480
D293,181 S * 12/1987 Solaro D6/484

D295,474 S * 5/1988 Uredat-Neuhoff D6/484
D336,394 S * 6/1993 Ball D6/487
D366,791 S * 2/1996 Grosfillex D6/495

* cited by examiner

Primary Examiner—Janice E Seeger

(74) *Attorney, Agent, or Firm*—Christie, Parker & Hale, LLP

(57) **CLAIM**

The ornamental design for a work table, as shown and described.

DESCRIPTION

FIG. 1 is a perspective view of a work table according to the present invention.

FIG. 2 is a left side view of the work table of FIG. 1, the right side view being a mirror image thereof.

FIG. 3 is a bottom view of the work table of FIG. 1; and,

FIG. 4 is a top view of the work table of FIG. 1.

1 Claim, 4 Drawing Sheets

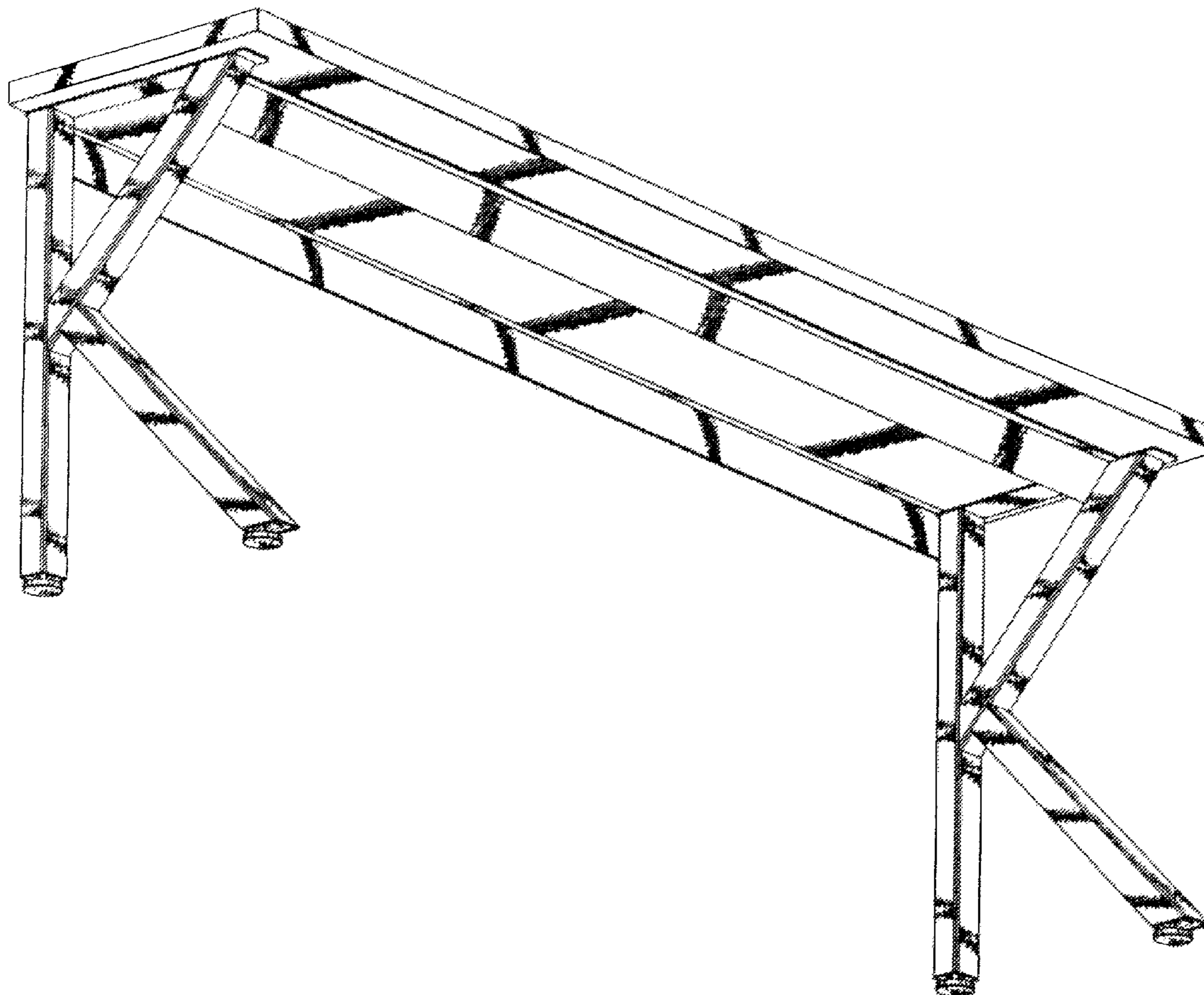


FIG. 1

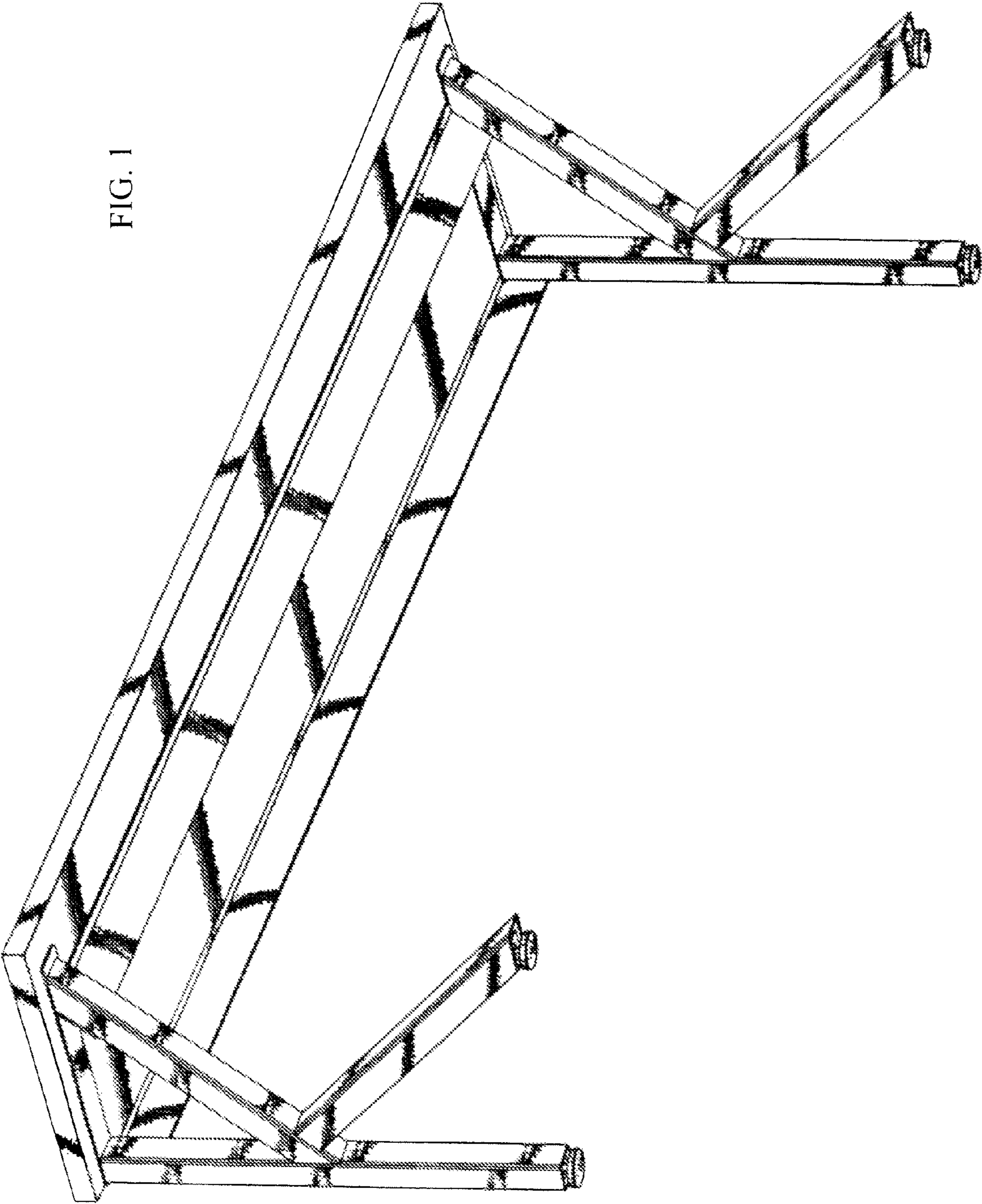


FIG. 2

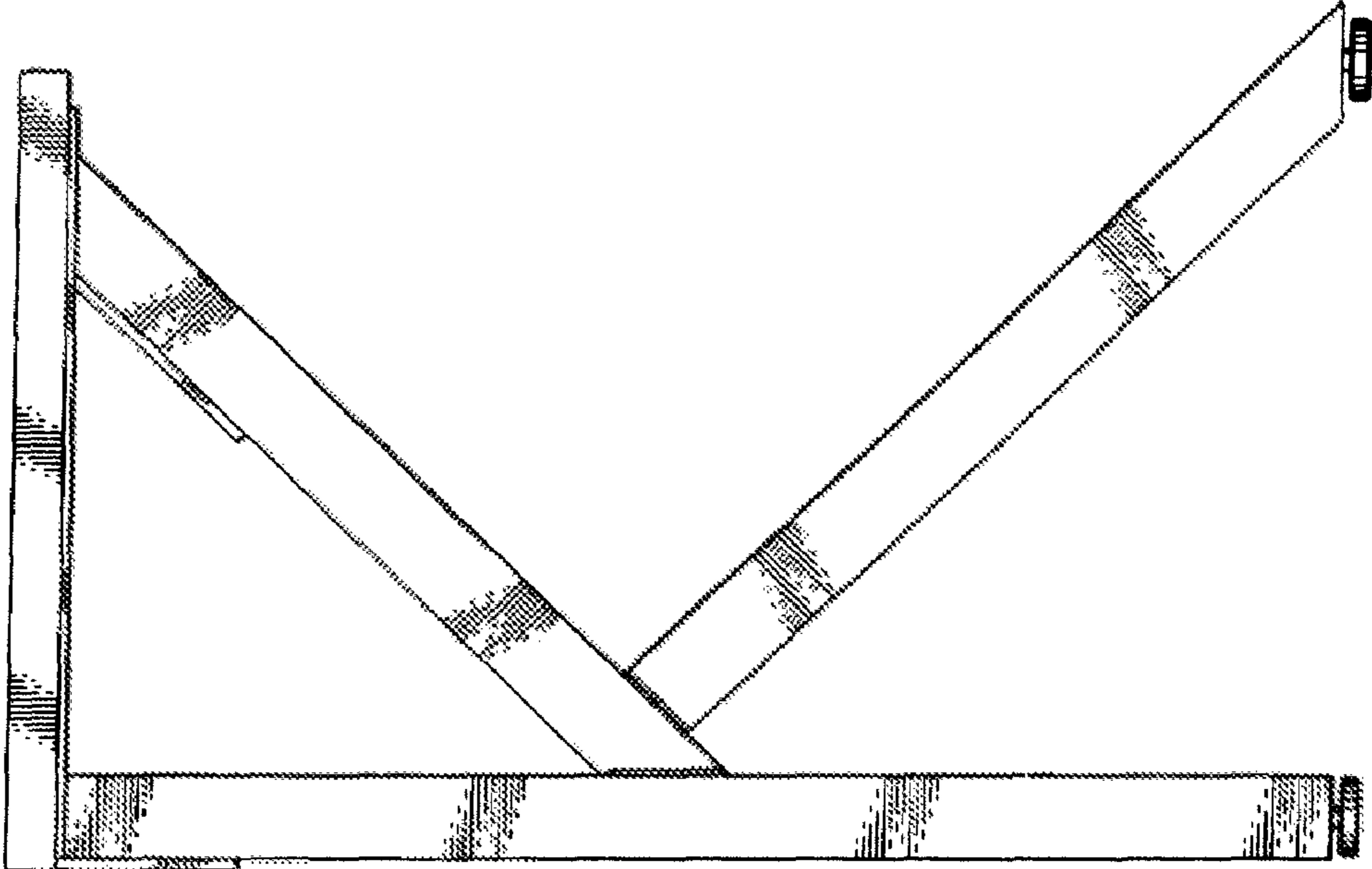


FIG. 3

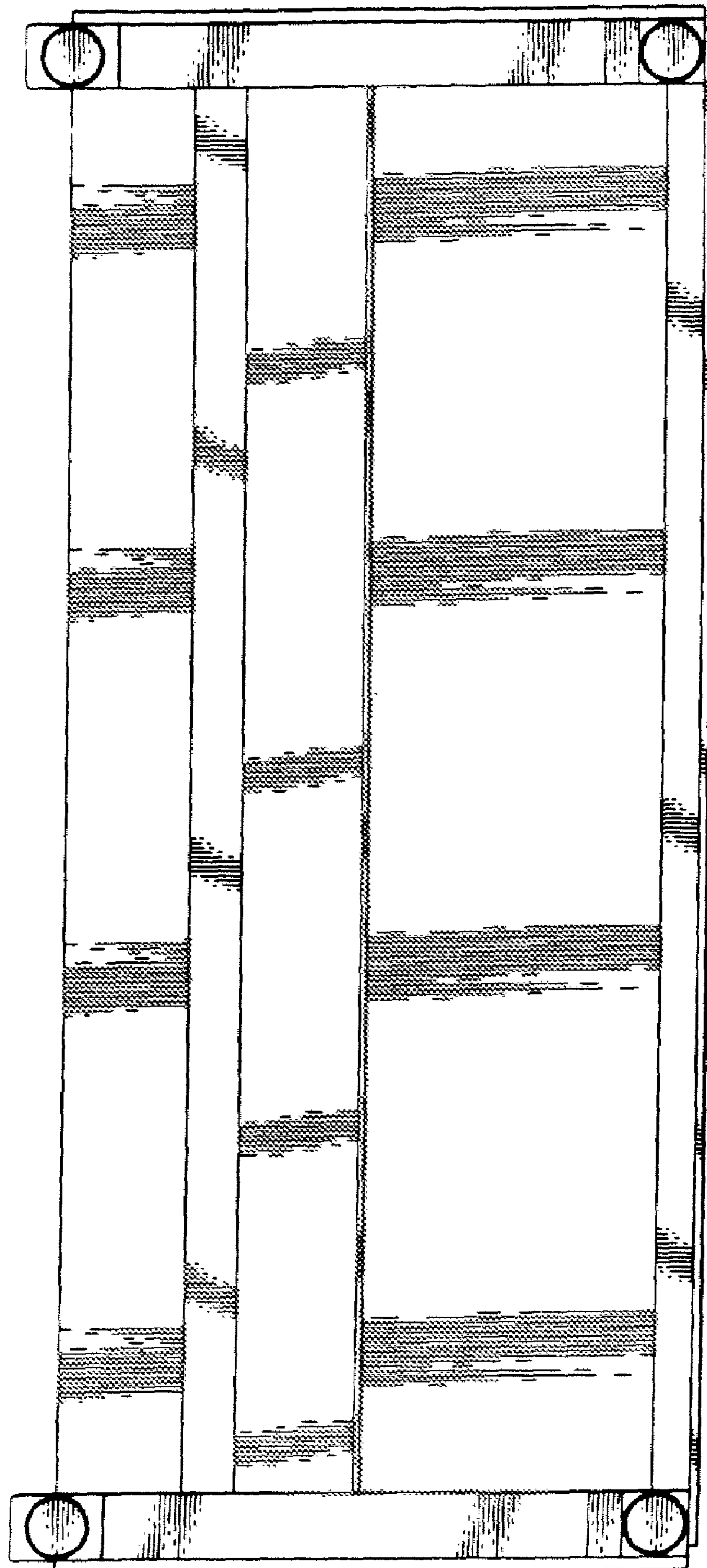


FIG. 4

