



US00D582174S

(12) **United States Design Patent**  
**O'Con**

(10) **Patent No.:** **US D582,174 S**

(45) **Date of Patent:** **\*\* Dec. 9, 2008**

(54) **TELEVISION STAND**

D552,090 S \* 10/2007 Kita ..... D14/239

(75) Inventor: **Kelly L. O'Con**, 1125 Dolman, St.  
Louis, MO (US) 63104

\* cited by examiner

(73) Assignee: **Kelly L. O'Con**, St. Louis, MO (US)

*Primary Examiner*—Caron Veynar  
*Assistant Examiner*—Sydney R Buffalow

(\*\*) Term: **14 Years**

(74) *Attorney, Agent, or Firm*—Harness, Dickey & Pierce,  
P.L.C.

(21) Appl. No.: **29/297,921**

(57) **CLAIM**

(22) Filed: **Nov. 21, 2007**

The ornamental design for a television stand, as shown and described.

(51) **LOC (8) Cl.** ..... **06-04**

**DESCRIPTION**

(52) **U.S. Cl.** ..... **D6/457**; D14/451; D6/300

FIG. 1 is a perspective view of the television stand, showing my new design;

(58) **Field of Classification Search** ..... D6/300–314,  
D6/457; 211/186, 181.1, 182, 194, 97; D14/448,  
D14/449, 374, 451, 239; 403/374; D8/373  
See application file for complete search history.

FIG. 2 is a left side, rear elevation view thereof;

FIG. 3 is a front elevation view thereof;

FIG. 4 is a rear elevation view thereof;

FIG. 5 is a left side elevation view thereof;

FIG. 6 is a right side elevation view thereof;

FIG. 7 is a top plan view thereof; and,

FIG. 8 is a bottom plan view thereof.

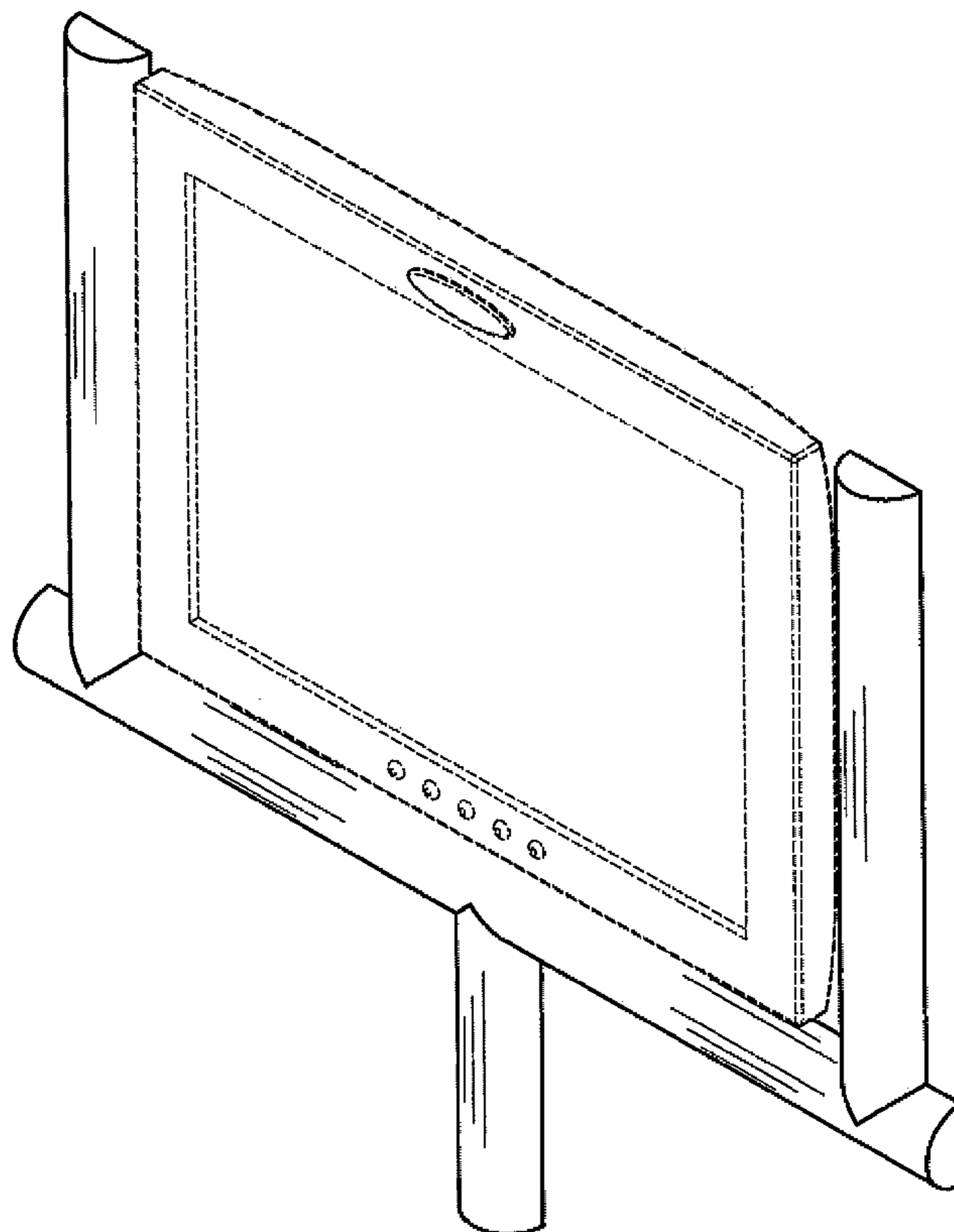
The details shown in broken lines are for illustrative purposes only and form no part of the claimed design.

(56) **References Cited**

**U.S. PATENT DOCUMENTS**

- 4,778,066 A \* 10/1988 Stjernberg ..... 211/186
- 6,527,473 B2 \* 3/2003 Chen ..... 403/374.1
- D473,877 S \* 4/2003 Korpai ..... D14/448
- D489,072 S \* 4/2004 Nishioka et al. .... D14/448
- D524,061 S \* 7/2006 Bruce ..... D6/300
- D539,128 S \* 3/2007 Ly Hau et al. .... D8/373

**1 Claim, 6 Drawing Sheets**



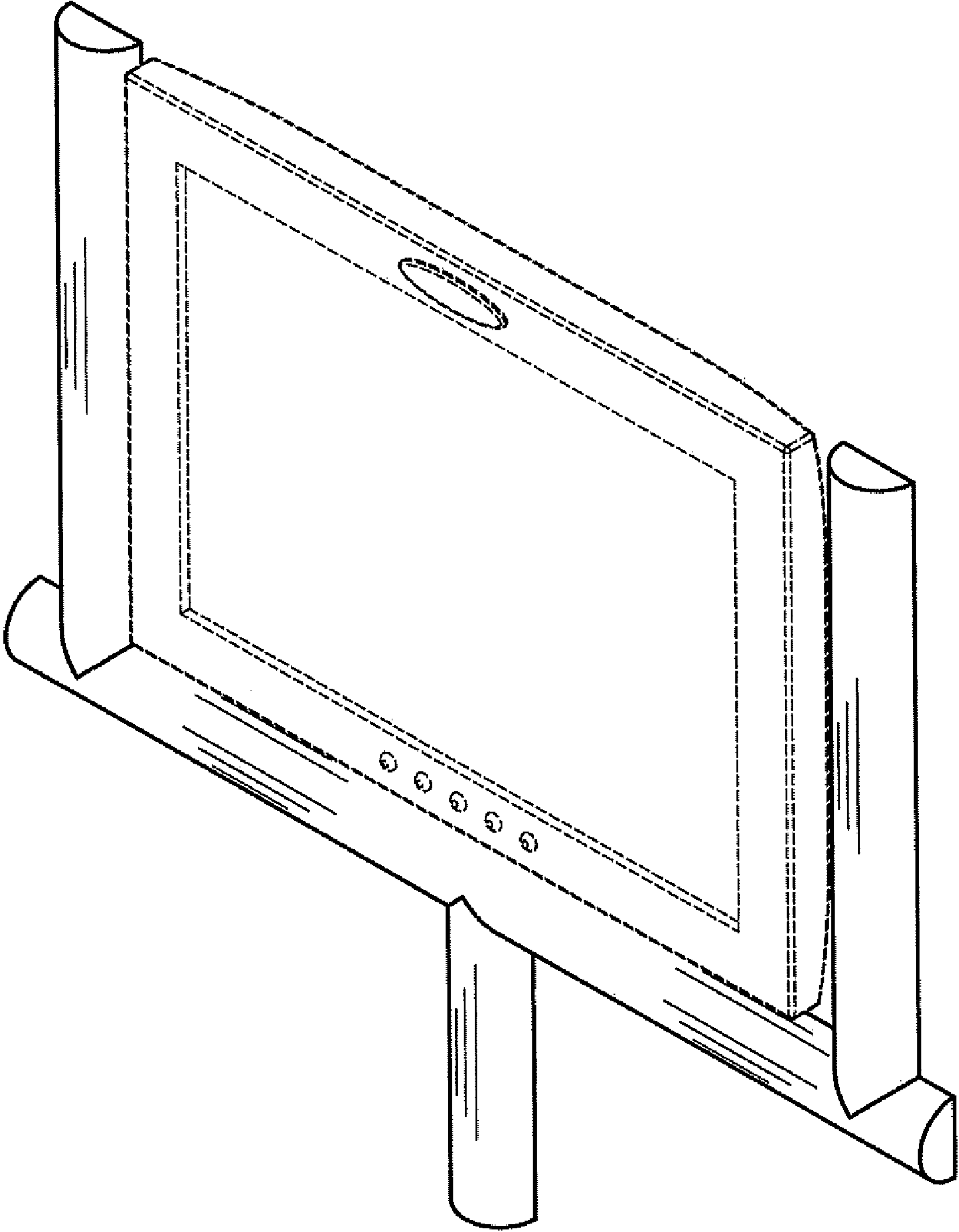


Fig. 1

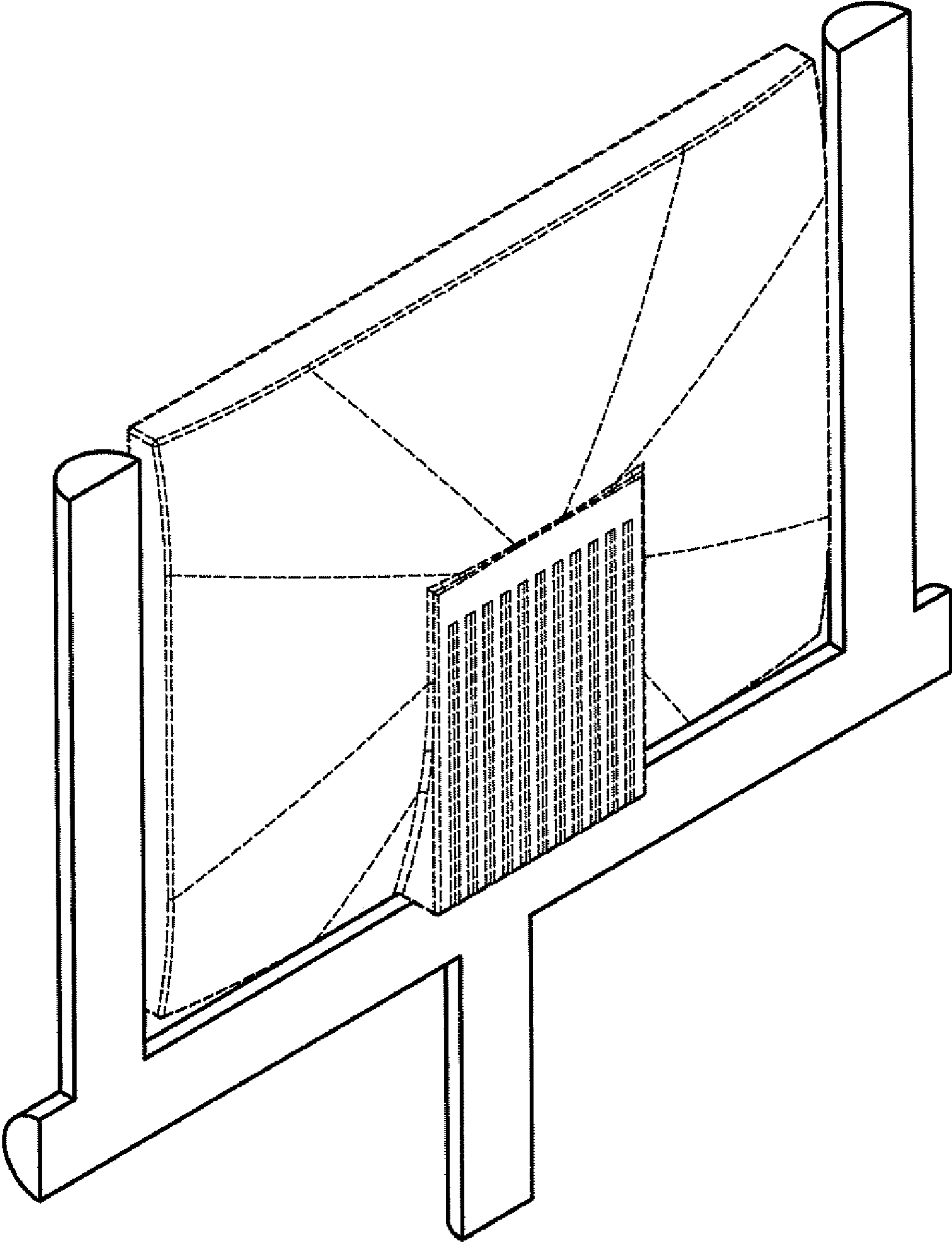


Fig. 2

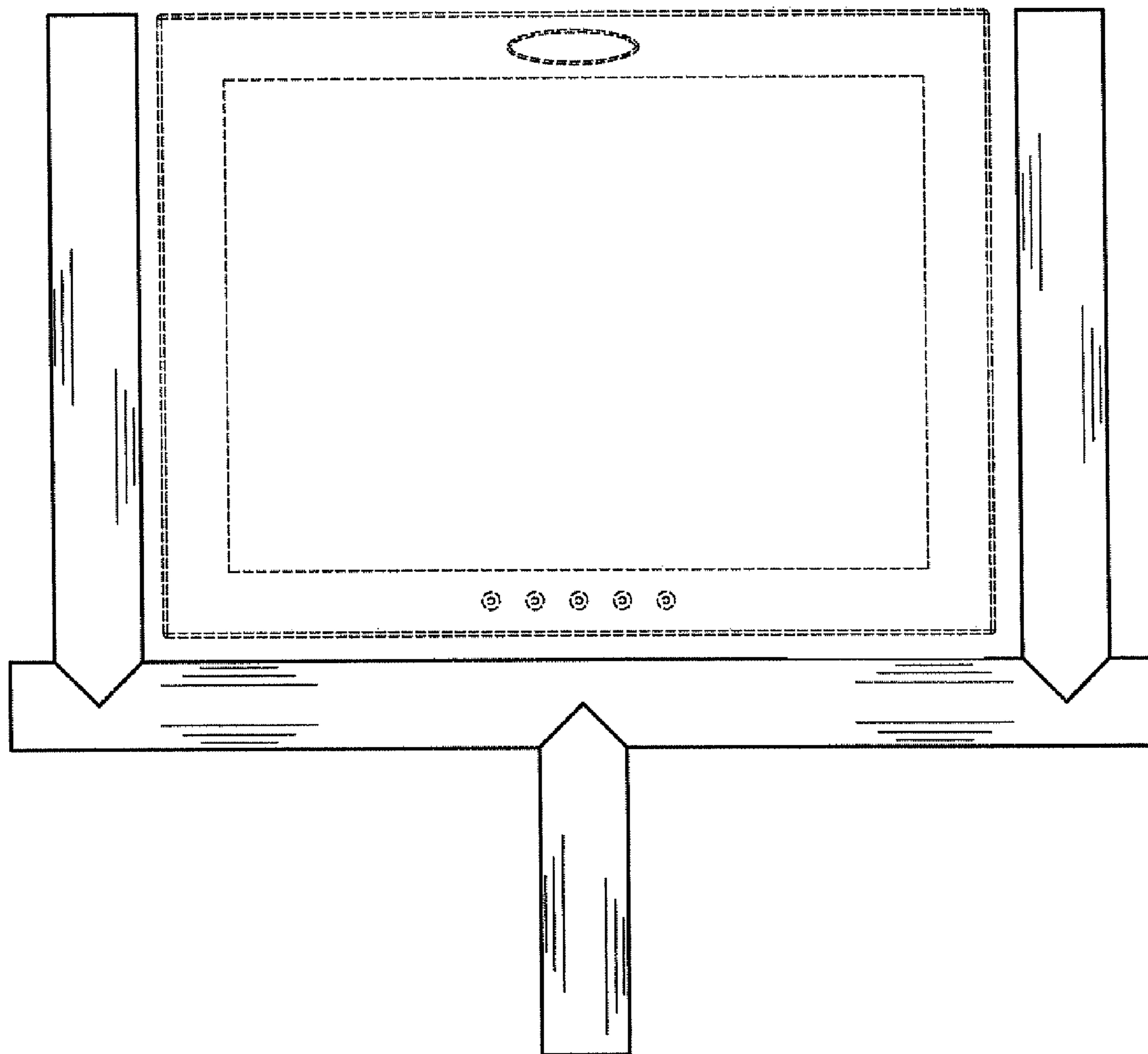


Fig. 3

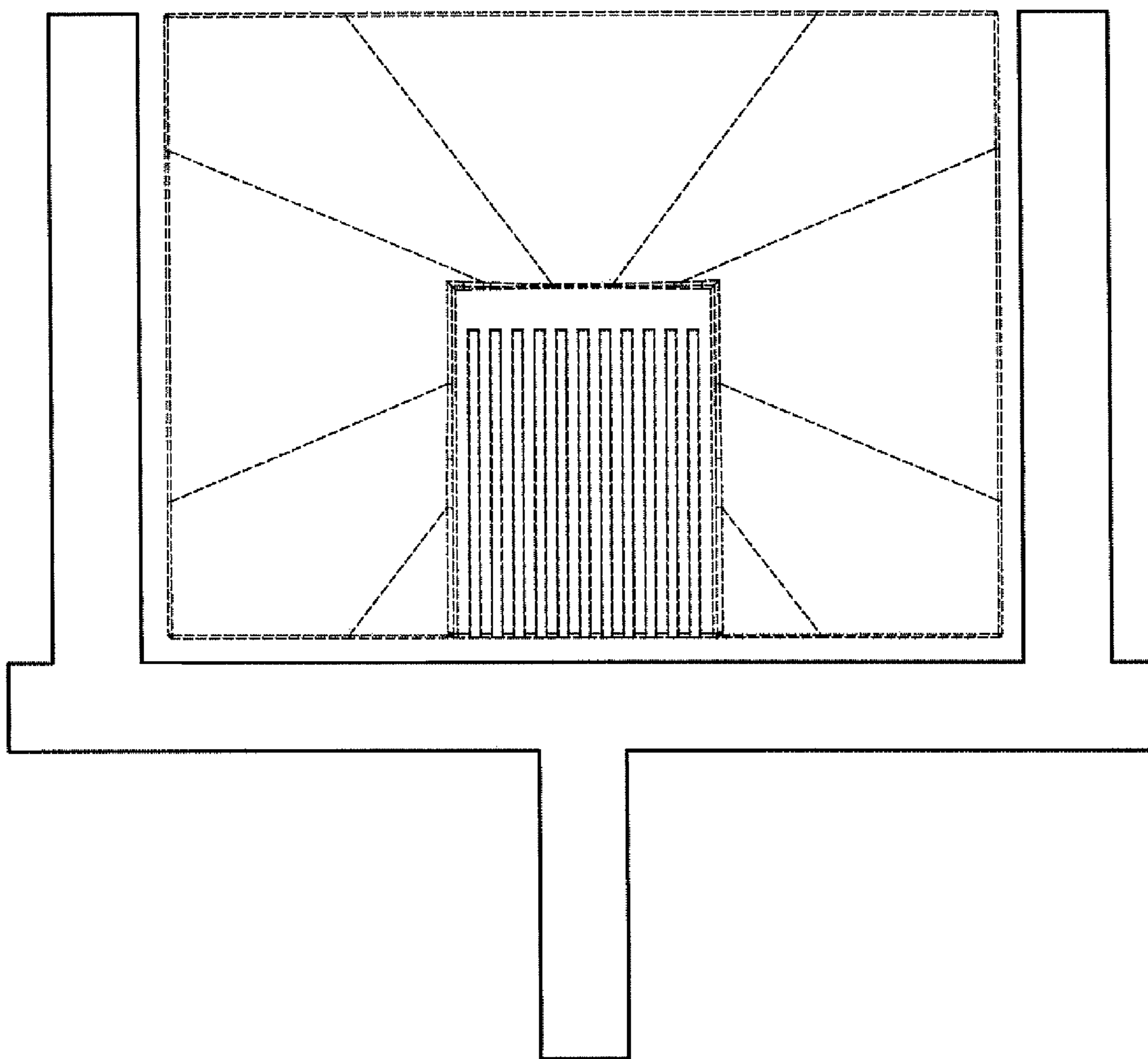


Fig. 4

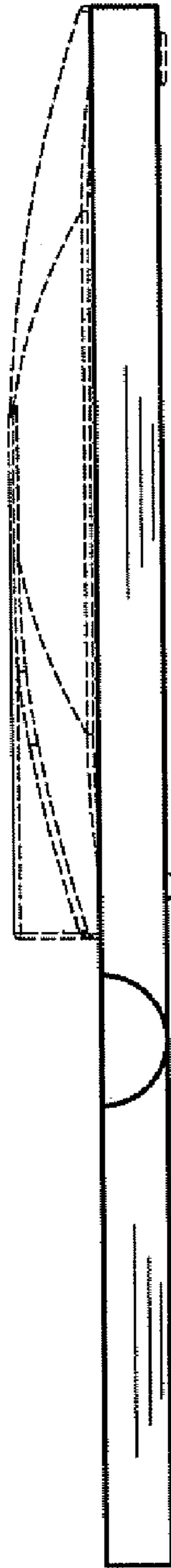


Fig. 5



Fig. 6

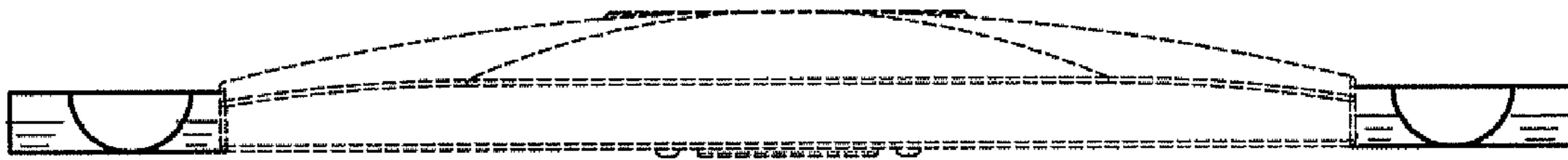


Fig. 7

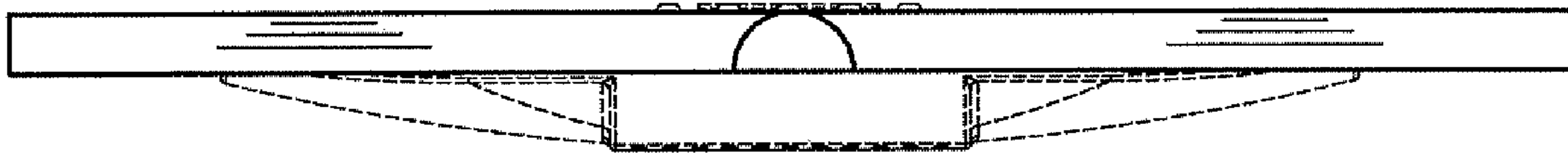


Fig. 8