



US00D582172S

(12) **United States Design Patent**
Vallet et al.

(10) **Patent No.:** **US D582,172 S**
(45) **Date of Patent:** **** Dec. 9, 2008**

(54) **ARMCHAIR**

(75) Inventors: **Serge Vallet**, Martignat (FR); **Norbert Kleinklaus**, Viry (FR)

(73) Assignee: **Grosfillex SAS**, Oyonnax (FR)

(**) Term: **14 Years**

(21) Appl. No.: **29/287,826**

(22) Filed: **Sep. 24, 2007**

(30) **Foreign Application Priority Data**

Mar. 26, 2007 (EM) 0006969497-0007

(51) **LOC (8) Cl.** **06-01**

(52) **U.S. Cl.** **D6/369**

(58) **Field of Classification Search** D6/334-336,
D6/369, 370, 374, 375, 376, 379, 380, 500-502;
297/411.2, 411.27, 411.28, 445.1, 446.1,
297/451.9, 452.63, 452.64

See application file for complete search history.

(56) **References Cited**

U.S. PATENT DOCUMENTS

D325,677 S * 4/1992 Fong D6/369
D363,825 S * 11/1995 Hess D6/369
D372,366 S * 8/1996 Frinier D6/369
D393,954 S * 5/1998 Ferguson D6/369

D446,956 S * 8/2001 Black D6/369
D450,944 S * 11/2001 Shepard et al. D6/369
D465,668 S * 11/2002 Gaylord et al. D6/369
D478,429 S * 8/2003 Caldwell D6/369
D513,669 S * 1/2006 Franks D6/369
D514,837 S * 2/2006 Muller D6/374
D515,832 S * 2/2006 White et al. D6/369
D547,560 S * 7/2007 Wang D6/369
D561,484 S * 2/2008 Andreucci et al. D6/379

* cited by examiner

Primary Examiner—Mimosa De

(74) *Attorney, Agent, or Firm*—Dowell & Dowell, PC

(57) **CLAIM**

The ornamental design for an armchair, as shown and described.

DESCRIPTION

FIG. 1 is a front perspective view of an armchair showing our new design;

FIG. 2 is a front elevational view thereof;

FIG. 3 is a rear elevational view thereof;

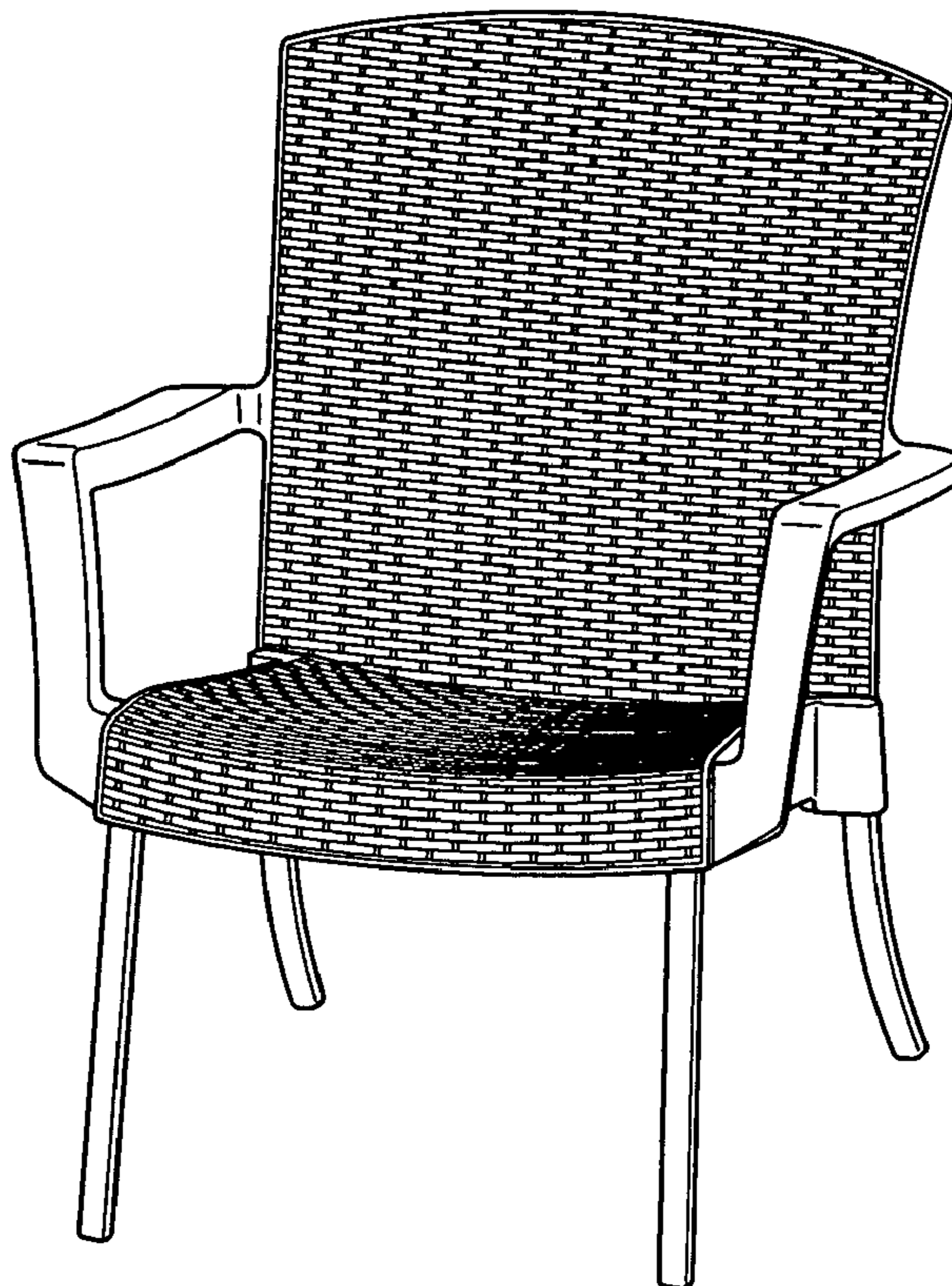
FIG. 4 is a right side view thereof;

FIG. 5 is a left side view thereof;

FIG. 6 is top plan view thereof; and,

FIG. 7 is a bottom plan view thereof.

1 Claim, 2 Drawing Sheets



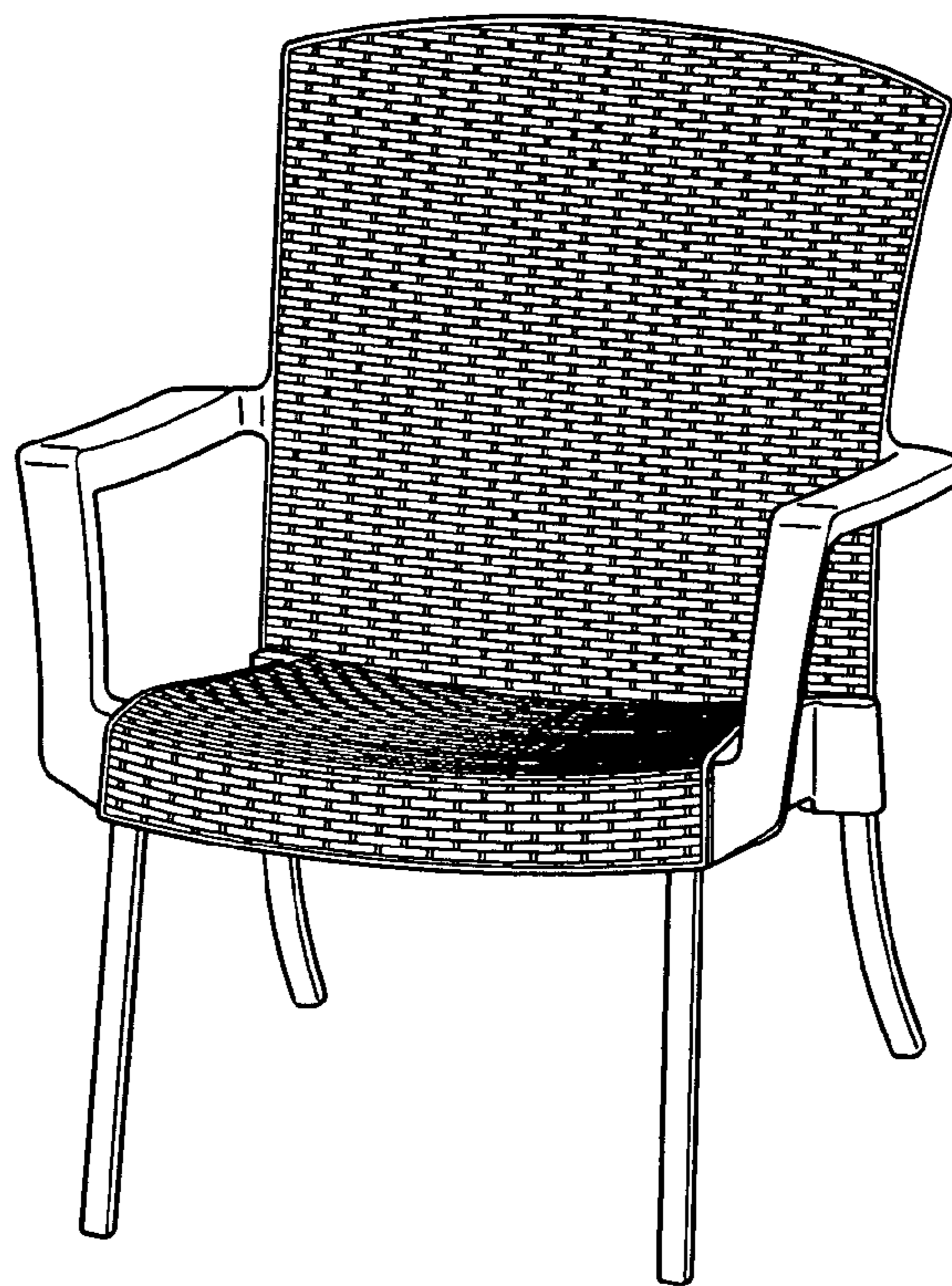


FIG. 1

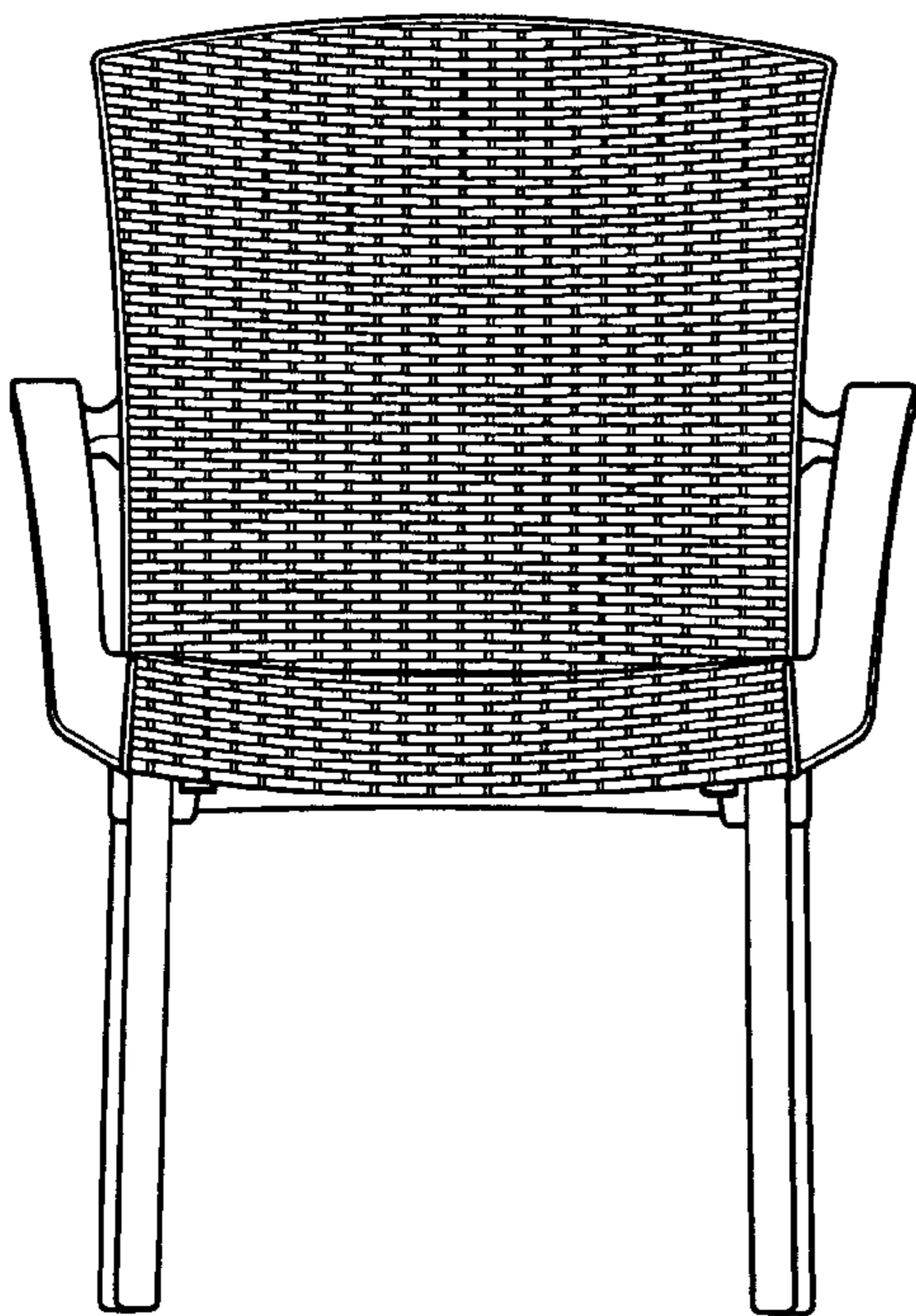


FIG. 2

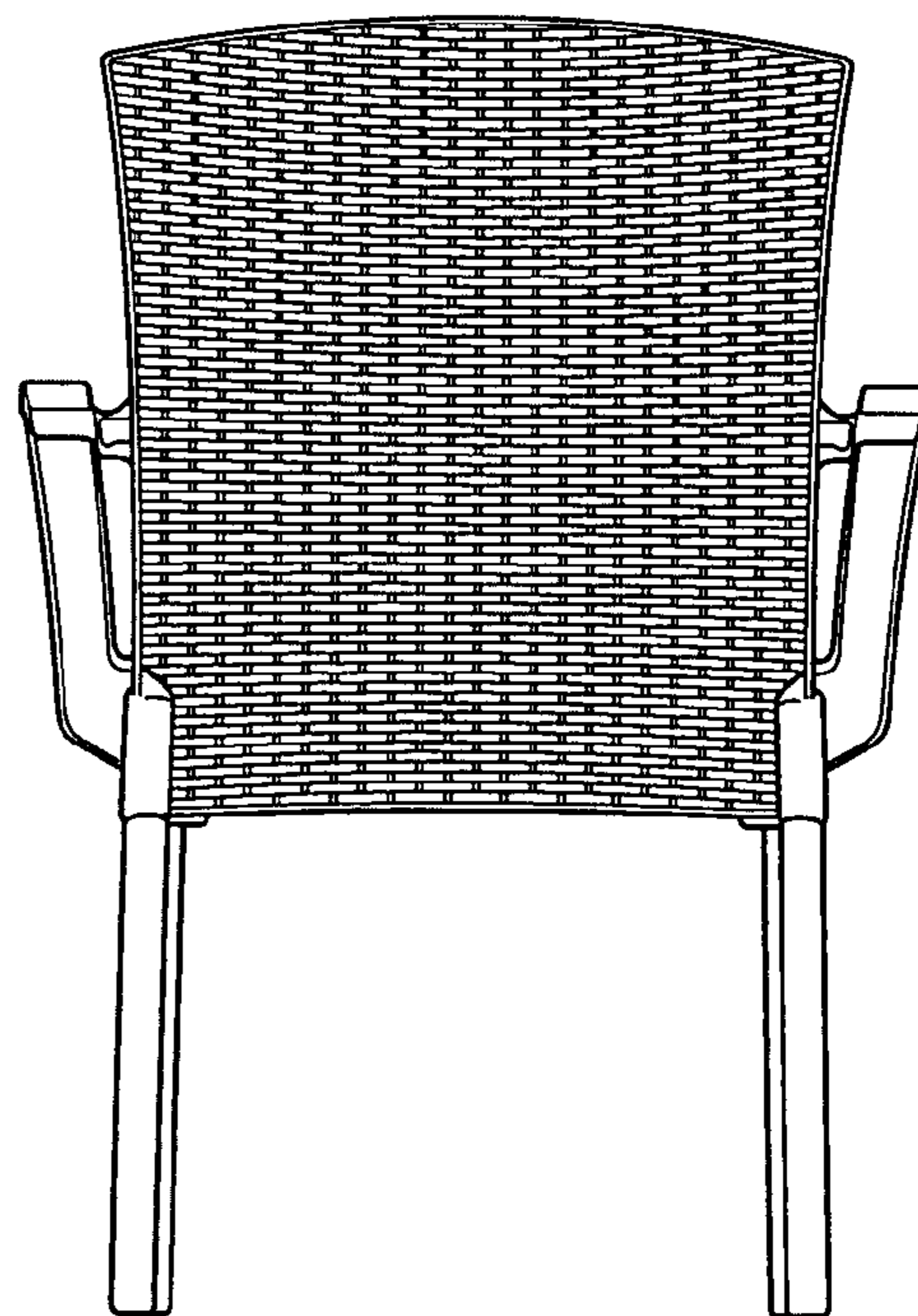


FIG. 3

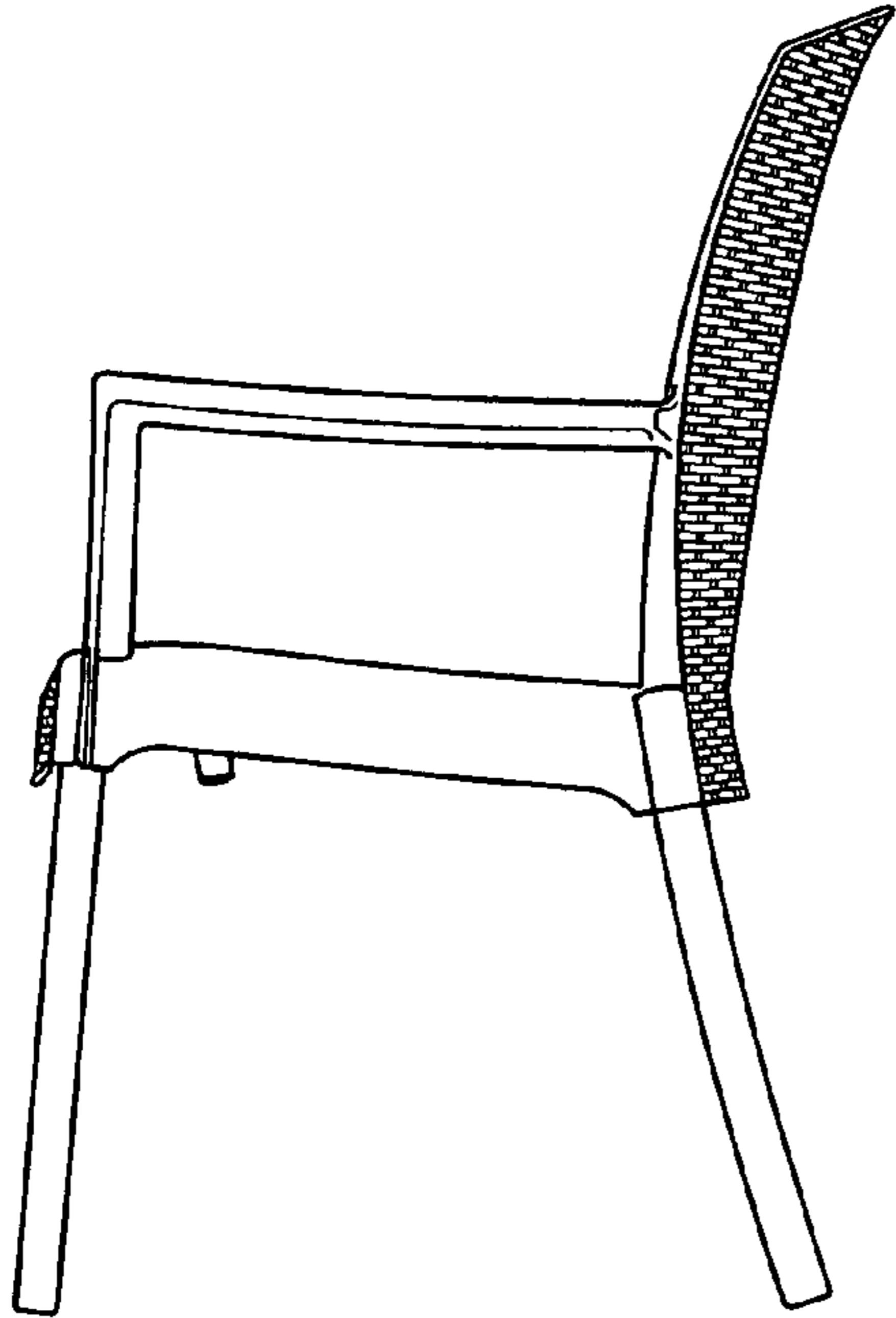


FIG. 4

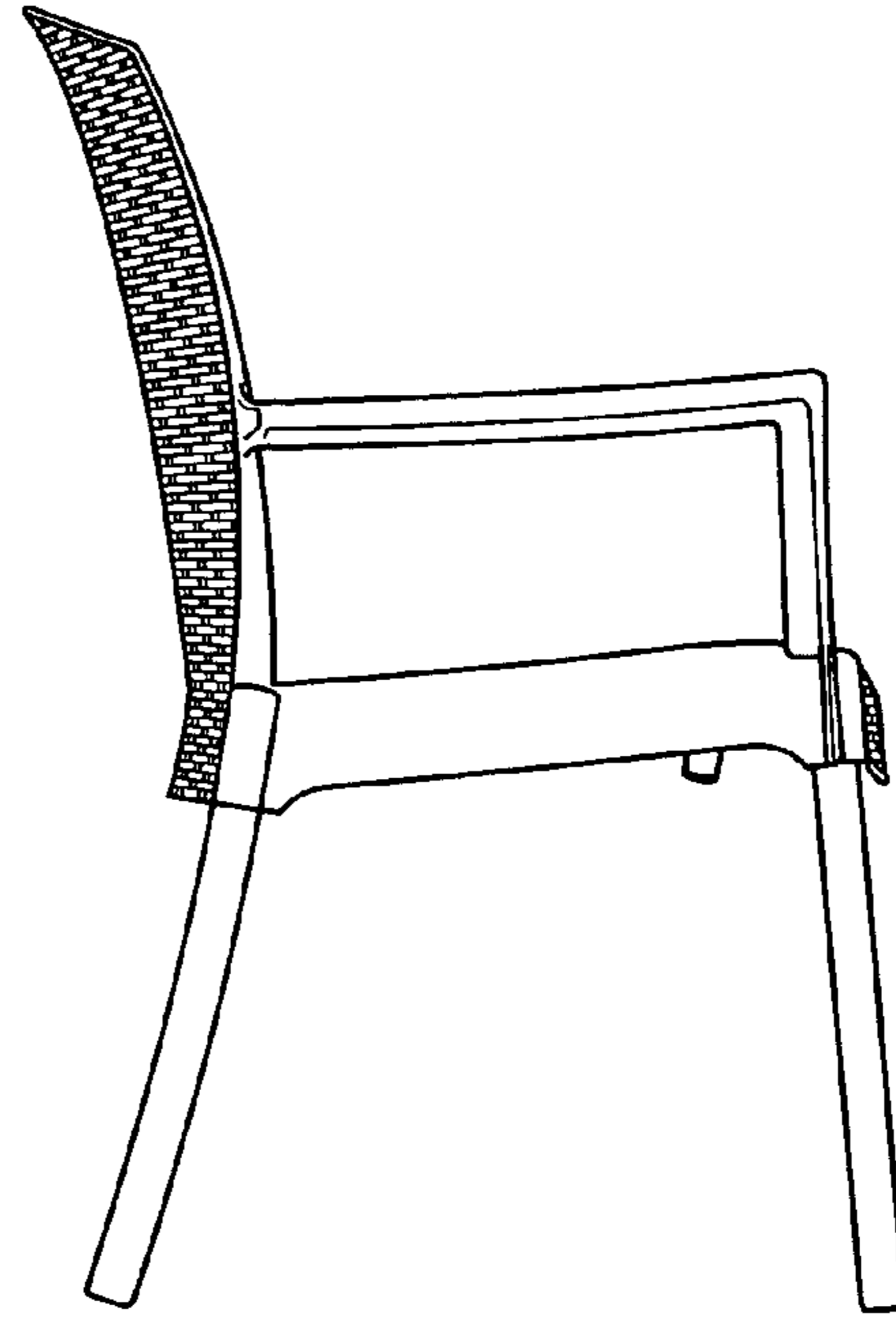


FIG. 5

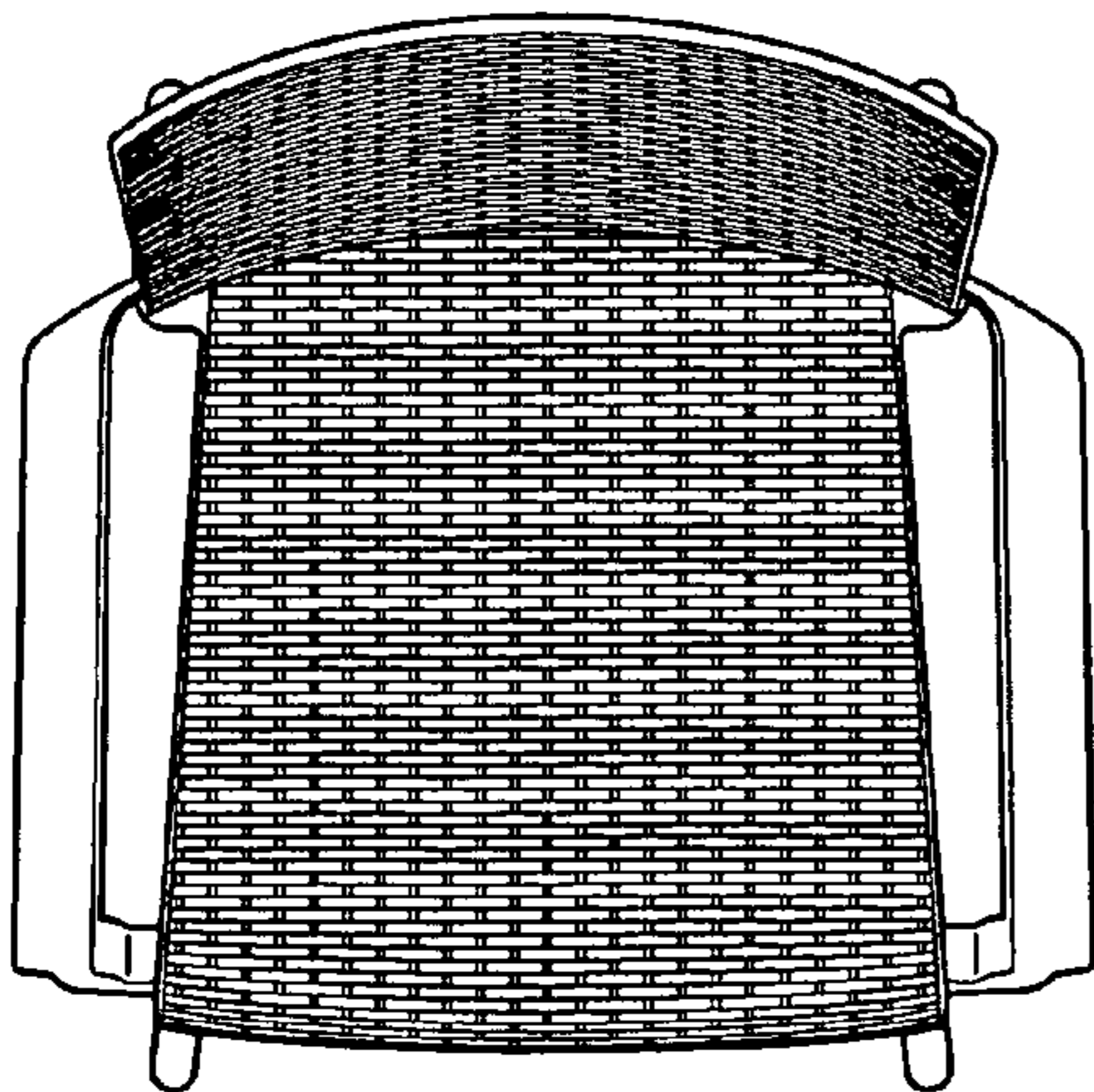


FIG. 6

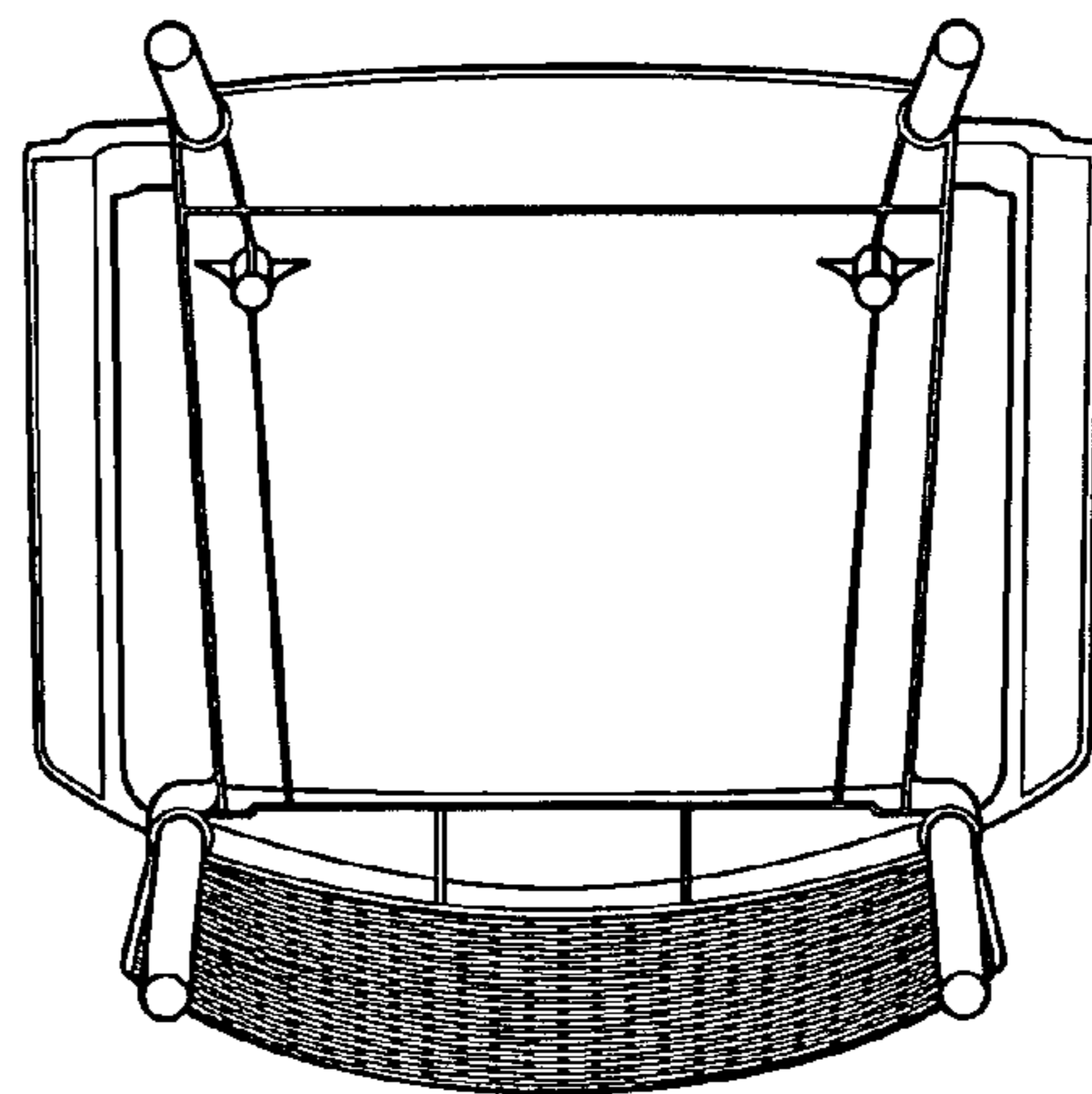


FIG. 7