

US00D582171S

(12) **United States Design Patent**
Cramer et al.

(10) **Patent No.:** **US D582,171 S**
(45) **Date of Patent:** **** Dec. 9, 2008**

(54) **SEATING FURNITURE**

(75) Inventors: **E. Daniel Cramer**, Golden Valley, MN
(US); **Paul A. James**, St. Louis, MN
(US)

(73) Assignee: **Krueger International, Inc.**, Green Bay,
WI (US)

(**) Term: **14 Years**

(21) Appl. No.: **29/305,961**

(22) Filed: **Mar. 31, 2008**

Related U.S. Application Data

(62) Division of application No. 29/231,851, filed on Jun.
10, 2005, now Pat. No. Des. 565,309.

(51) **LOC (8) Cl.** **06-01**

(52) **U.S. Cl.** **D6/368**

(58) **Field of Classification Search** D6/334,
D6/349, 355, 357, 367, 368, 370, 374-381,
D6/500-502; 297/175, 232, 233, 283.2,
297/283.3, 445.1, 448.1, 452.12, 452.38,
297/452.48, 461, 462; 5/12.1, 12.2
See application file for complete search history.

(56) **References Cited**

U.S. PATENT DOCUMENTS

- 2,666,478 A * 1/1954 Shwayder 297/58
- D174,472 S * 4/1955 Roth D6/374
- D175,131 S 7/1955 Rutter
- 3,021,175 A * 2/1962 Norquist 297/58
- 3,094,357 A * 6/1963 Shwayder 297/452.42
- D213,190 S 1/1969 Wafati
- D214,267 S * 5/1969 Moore et al. D6/368
- D234,935 S * 4/1975 Dransart D6/368
- D236,305 S 8/1975 Fisher

- D238,021 S * 12/1975 Minsker D6/368
- 4,252,367 A * 2/1981 Vanderminden 297/23
- D292,050 S * 9/1987 Giordano D6/380
- D329,543 S 9/1992 Shields
- D337,444 S 7/1993 Lamalle

(Continued)

Primary Examiner—Sandra Snapp

(74) *Attorney, Agent, or Firm*—Boyle Fredrickson, S.C.

(57) **CLAIM**

The ornamental design for seating furniture, as shown and described.

DESCRIPTION

FIG. 1 is a side, partially isometric view of seating furniture in the form of a folding chair incorporating our new design;

FIG. 2 is a rear isometric view thereof;

FIG. 3 is a front isometric view thereof;

FIG. 4 is a side elevation view thereof;

FIG. 5 is a front elevation view thereof;

FIG. 6 is a top plan view thereof;

FIG. 7 is a rear elevation view thereof;

FIG. 8 is a front isometric view of a folding chair similar to that illustrated in FIGS. 1-7, and incorporating a cushion on the seat;

FIG. 9 is a front isometric view thereof;

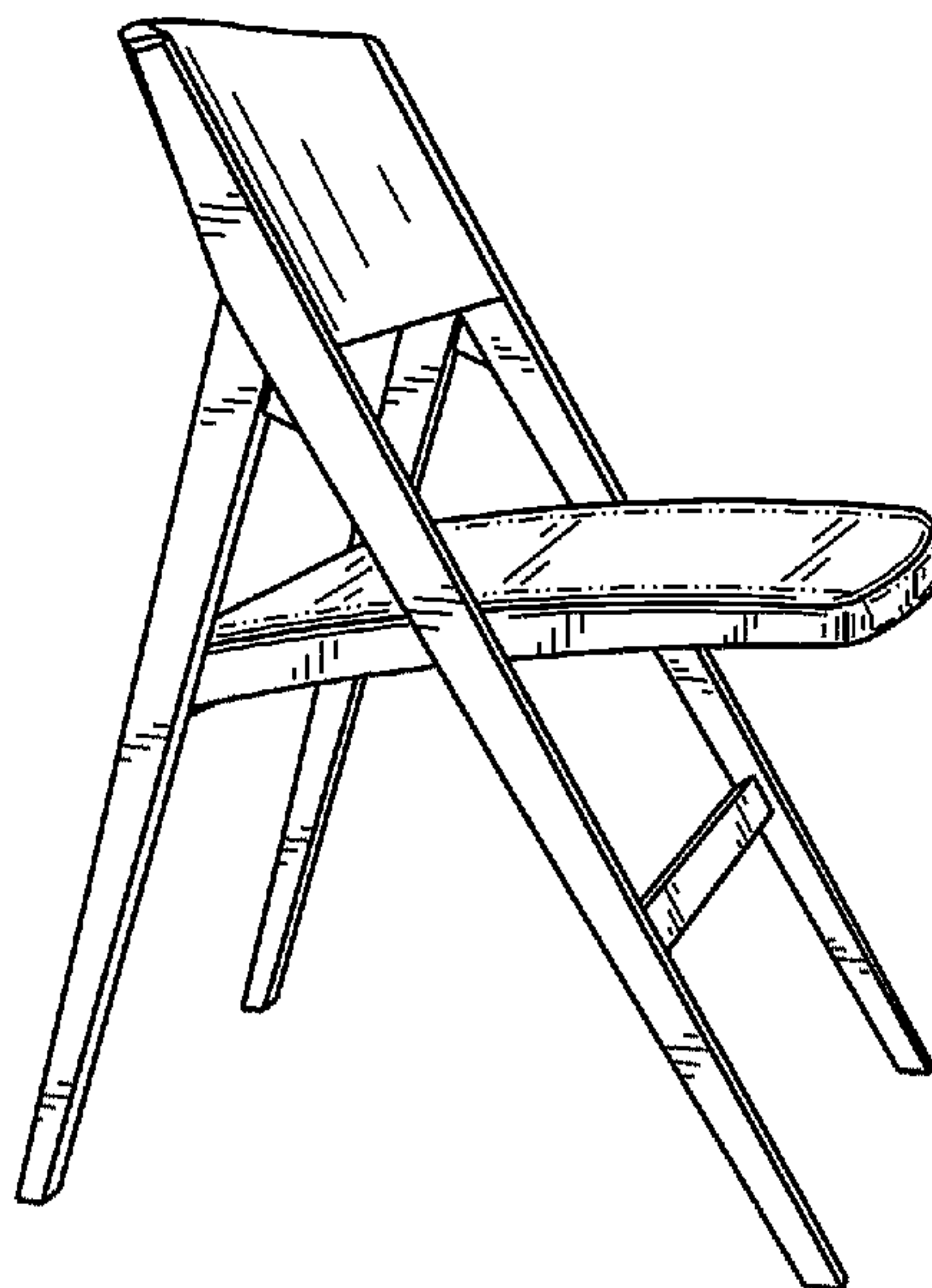
FIG. 10 is a side, partially isometric view thereof;

FIG. 11 is a rear isometric view thereof; and,

FIG. 12 is a side, partially isometric view thereof.

The broken lines shown in the drawings are for illustrative purposes only and form no part of the claimed design.

1 Claim, 6 Drawing Sheets



US D582,171 S

Page 2

U.S. PATENT DOCUMENTS					
D340,362 S	10/1993	Kiel	D465,671 S	11/2002	Sheil et al.
D359,176 S	6/1995	Tihany	D465,940 S *	11/2002	Nien D6/368
D360,997 S	8/1995	Hutton	D466,313 S	12/2002	Hutton
D368,377 S	4/1996	Laslo	D468,920 S	1/2003	Striebel
D373,257 S	9/1996	Hutton	D473,060 S	4/2003	Hutton
D378,788 S	4/1997	Tihany	D473,723 S	4/2003	Pesso
D379,269 S	5/1997	Hutton	D476,822 S	7/2003	Schweikarth
D392,469 S	3/1998	DeBlaay	D477,470 S *	7/2003	Haney et al. D6/368
D405,286 S	2/1999	James et al.	D477,720 S	7/2003	Diaz-Azcuy
D409,408 S	5/1999	James et al.	D480,567 S	10/2003	Ricci
D420,823 S	2/2000	Tyler	D481,549 S	11/2003	Turner et al.
D421,853 S	3/2000	Black	D486,652 S	2/2004	Nemeth
D422,422 S	4/2000	Black	D489,908 S	5/2004	Ricci
D423,807 S *	5/2000	Bartlmae D6/380	D491,382 S	6/2004	Caldwell
D431,117 S	9/2000	Hutton	D491,756 S	6/2004	Nemeth
D431,118 S	9/2000	Hutton	D498,598 S	11/2004	Schweikarth et al.
D432,806 S	10/2000	Gomez	D501,613 S *	2/2005	Kaltenmark et al. D6/368
D443,429 S *	6/2001	Mower et al. D6/368	D502,818 S	3/2005	Thompson
D446,959 S	8/2001	Cramer	D504,254 S	4/2005	Yang et al.
D447,353 S	9/2001	Peloquin	D504,781 S	5/2005	Suzuki et al.
D451,688 S	12/2001	Cramer	D504,787 S	5/2005	Shin
D454,715 S	3/2002	Olson	D505,276 S	5/2005	Cronk et al.
D463,146 S	9/2002	Striebel	D507,425 S *	7/2005	Ashby et al. D6/368
D465,341 S	11/2002	Hutton	D523,254 S *	6/2006	Nye et al. D6/368
D465,662 S	11/2002	Hutton	D535,483 S	1/2007	Hutton
D465,665 S *	11/2002	Ritchie et al. D6/368	2001/0033100 A1 *	10/2001	Haney 297/55

* cited by examiner

FIG. 1

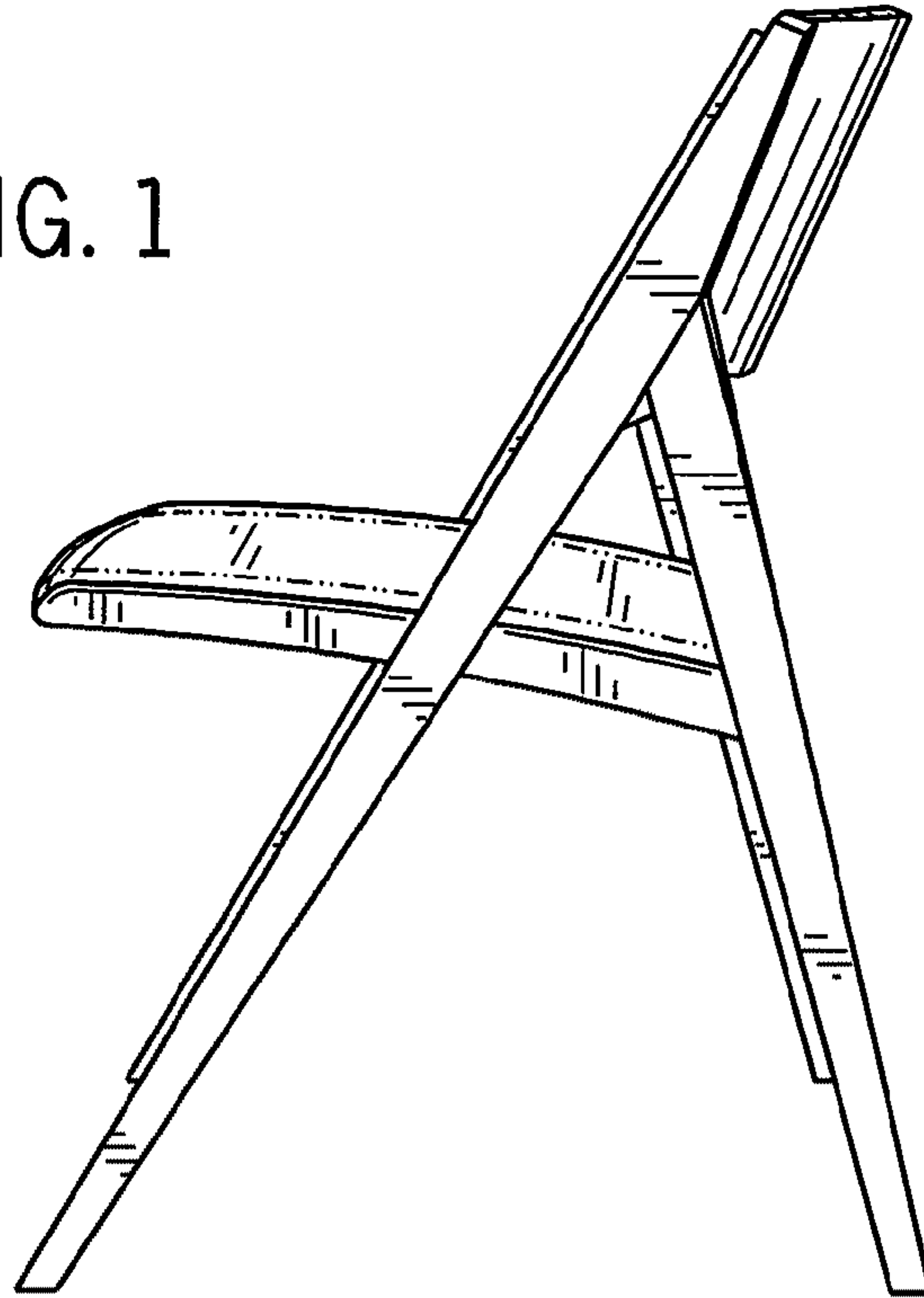


FIG. 2

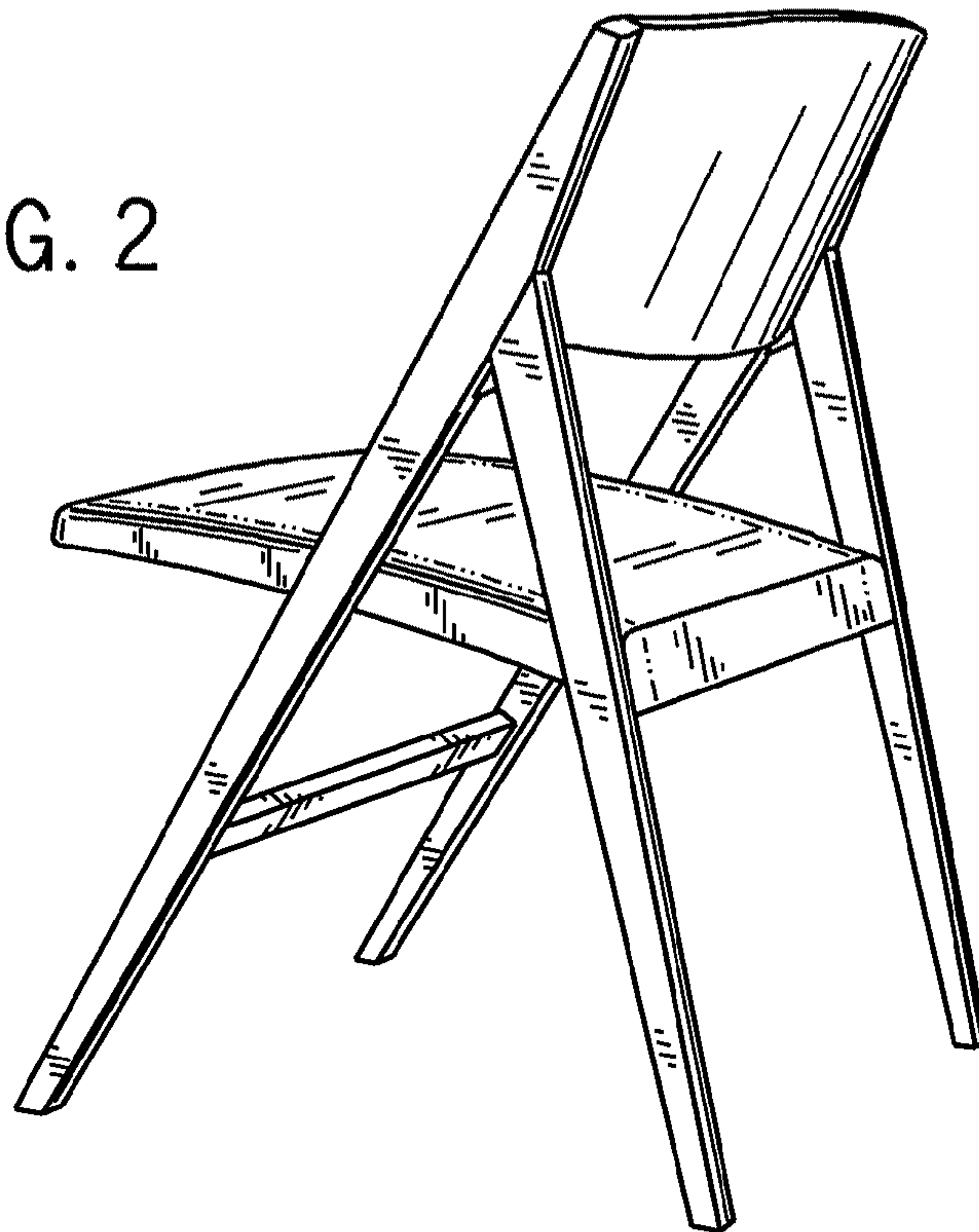


FIG. 3



FIG. 4

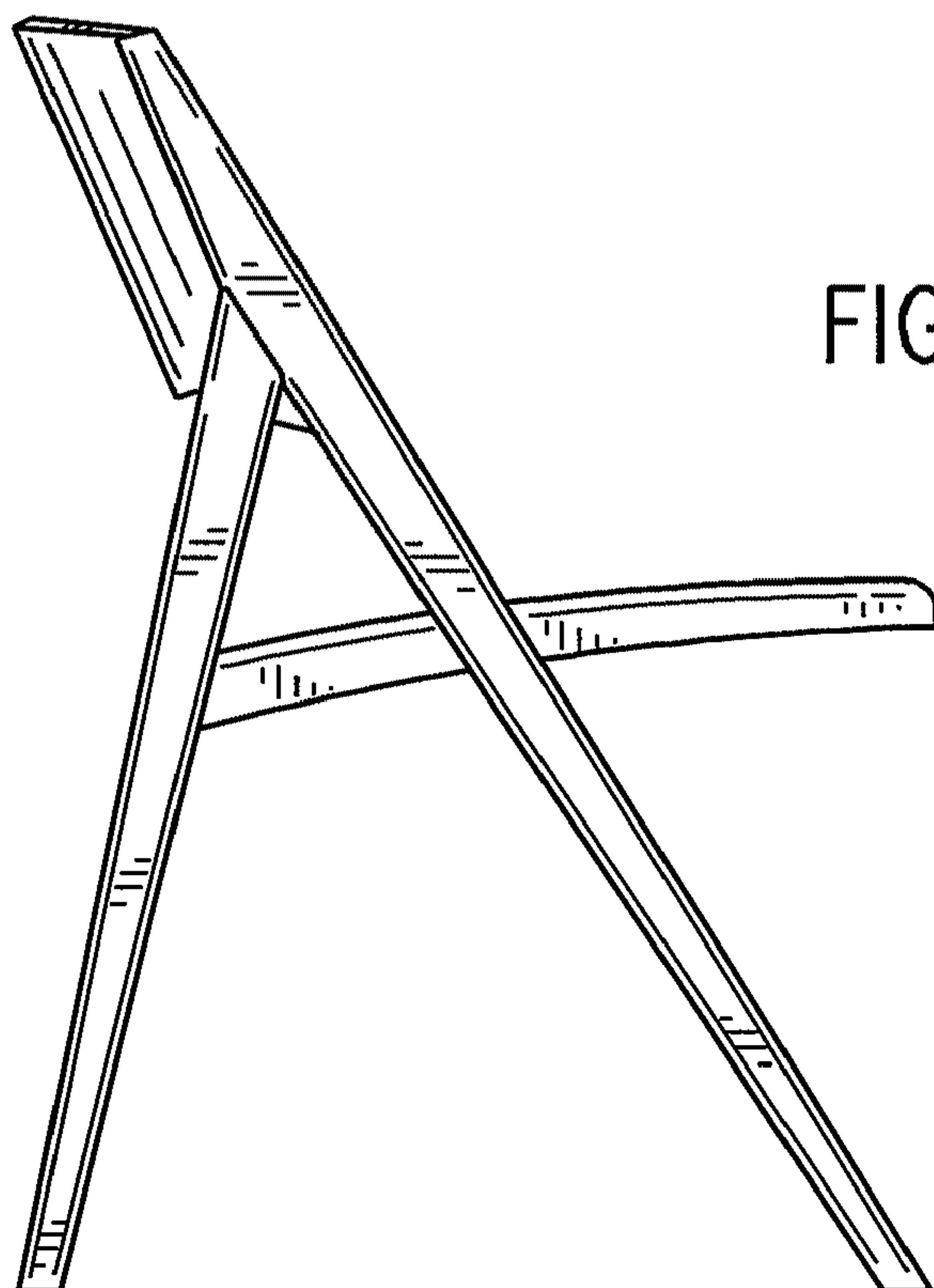


FIG. 5

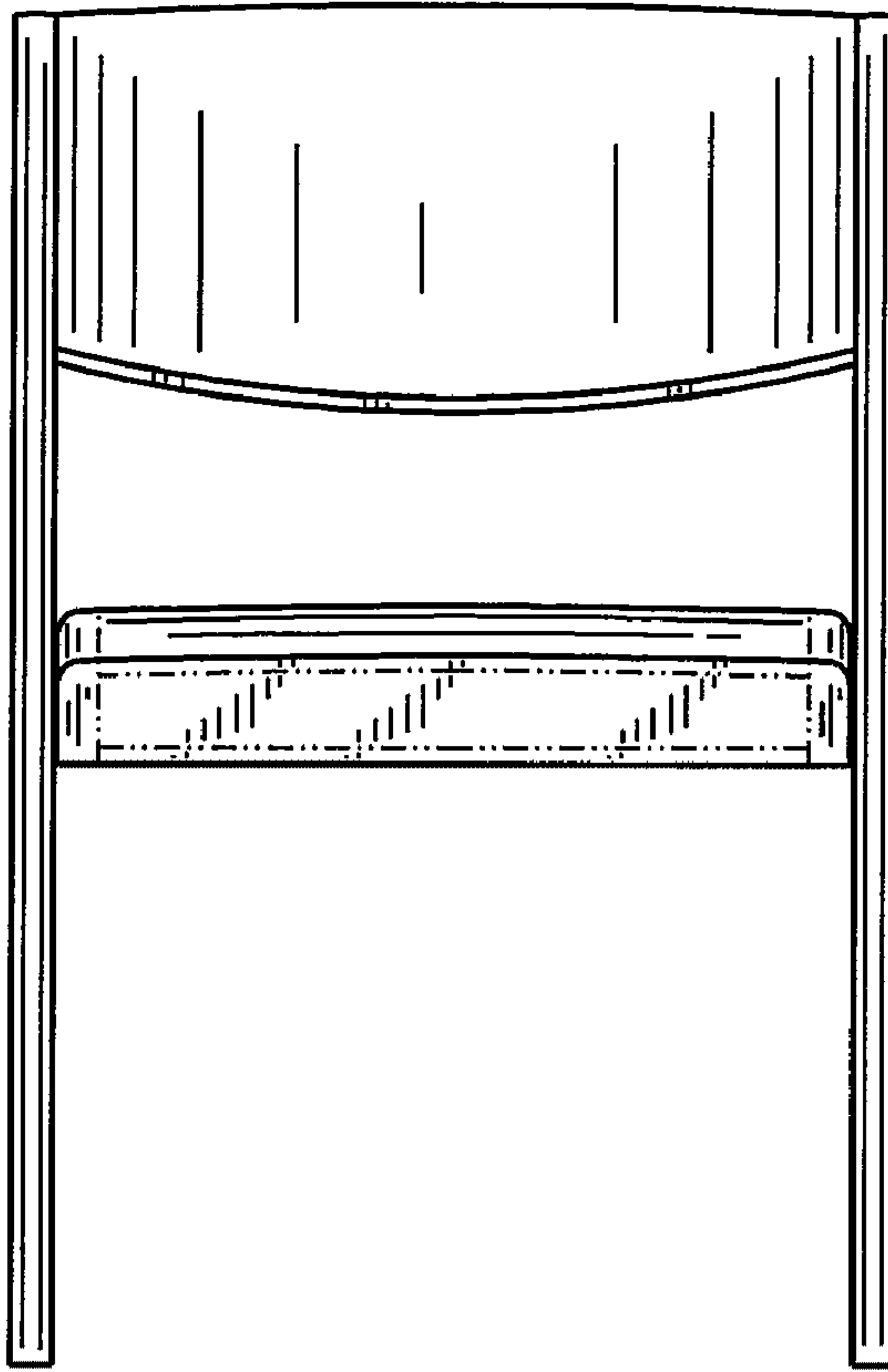


FIG. 6

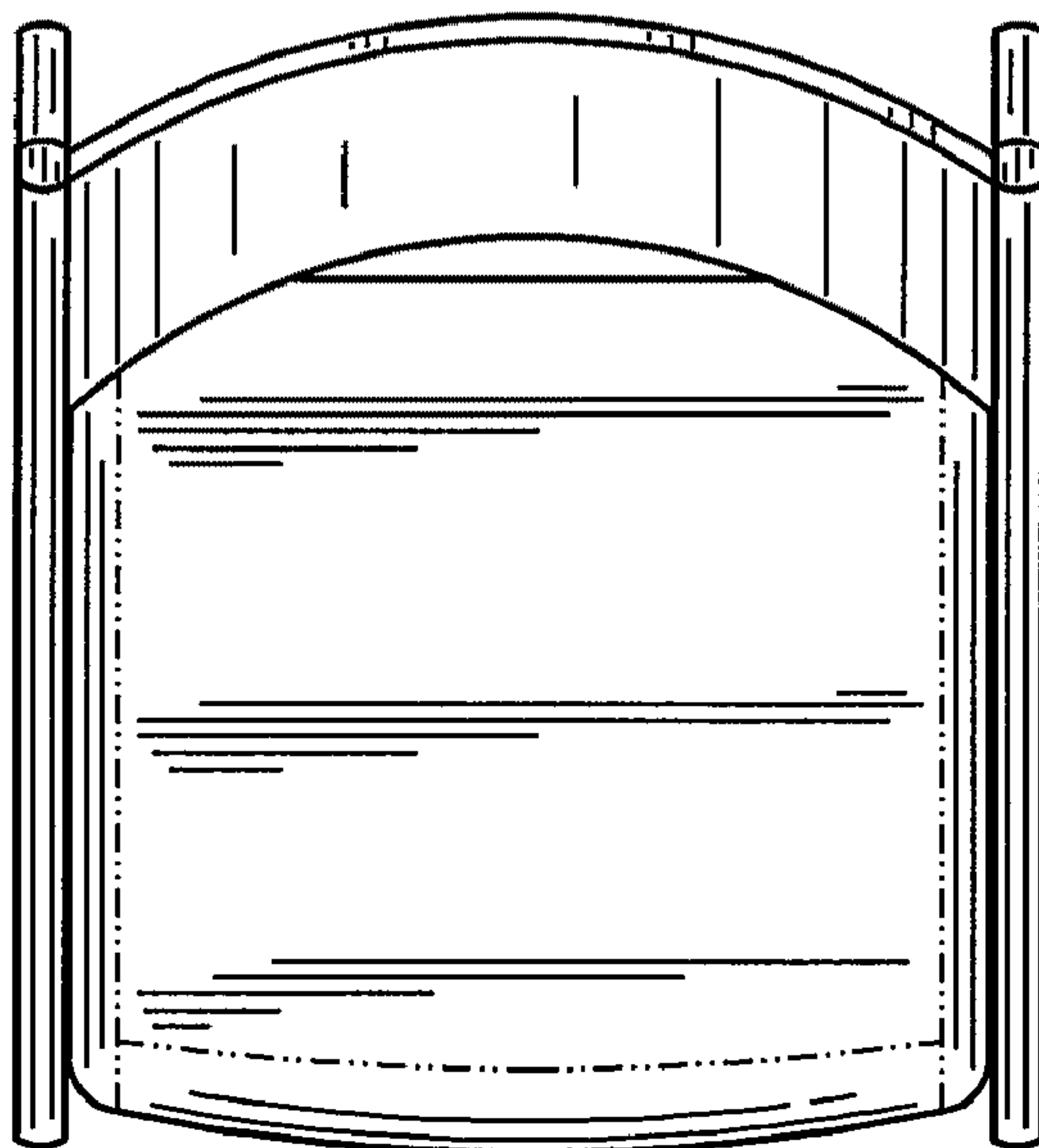


FIG. 7

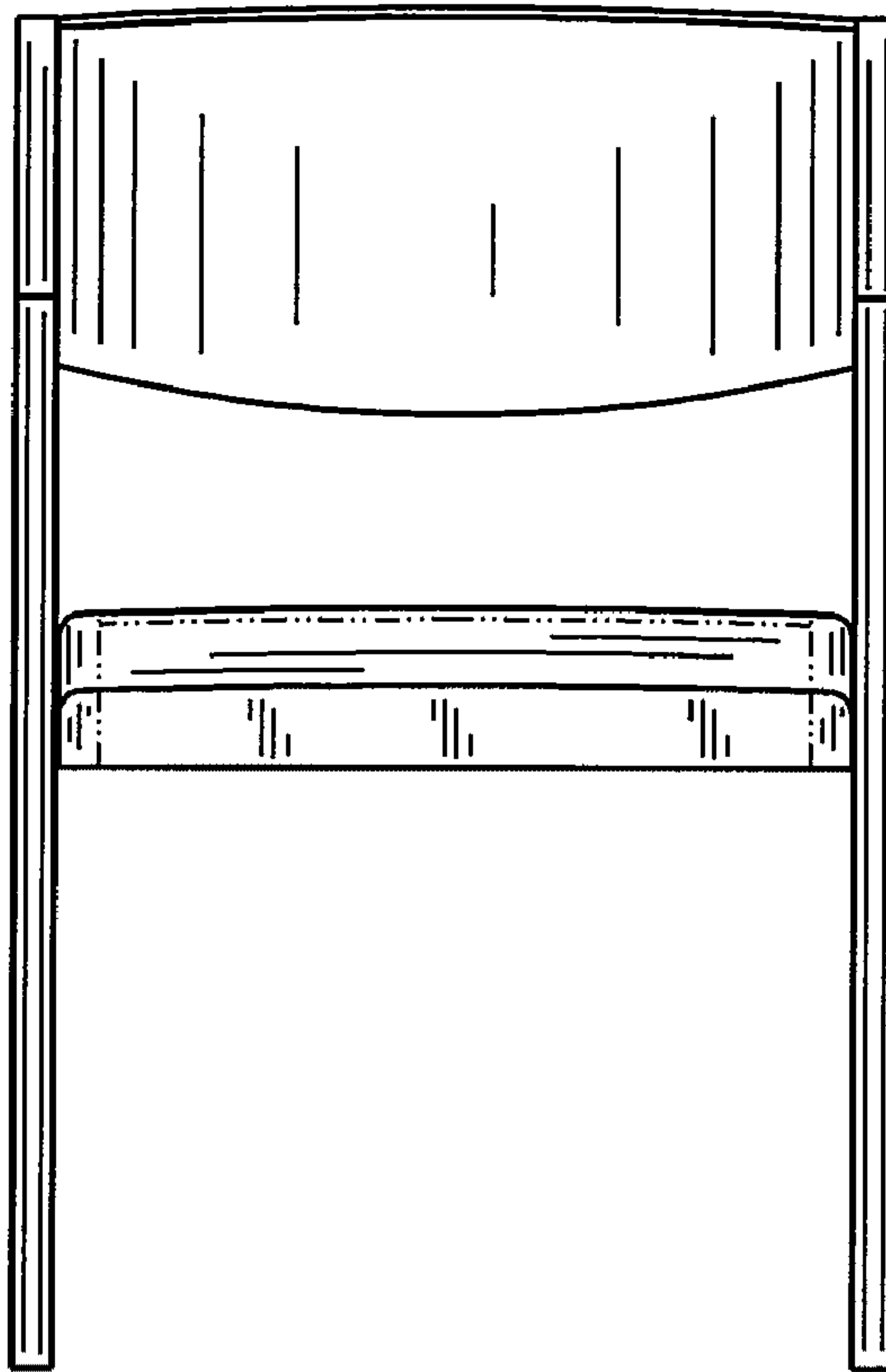


FIG. 8

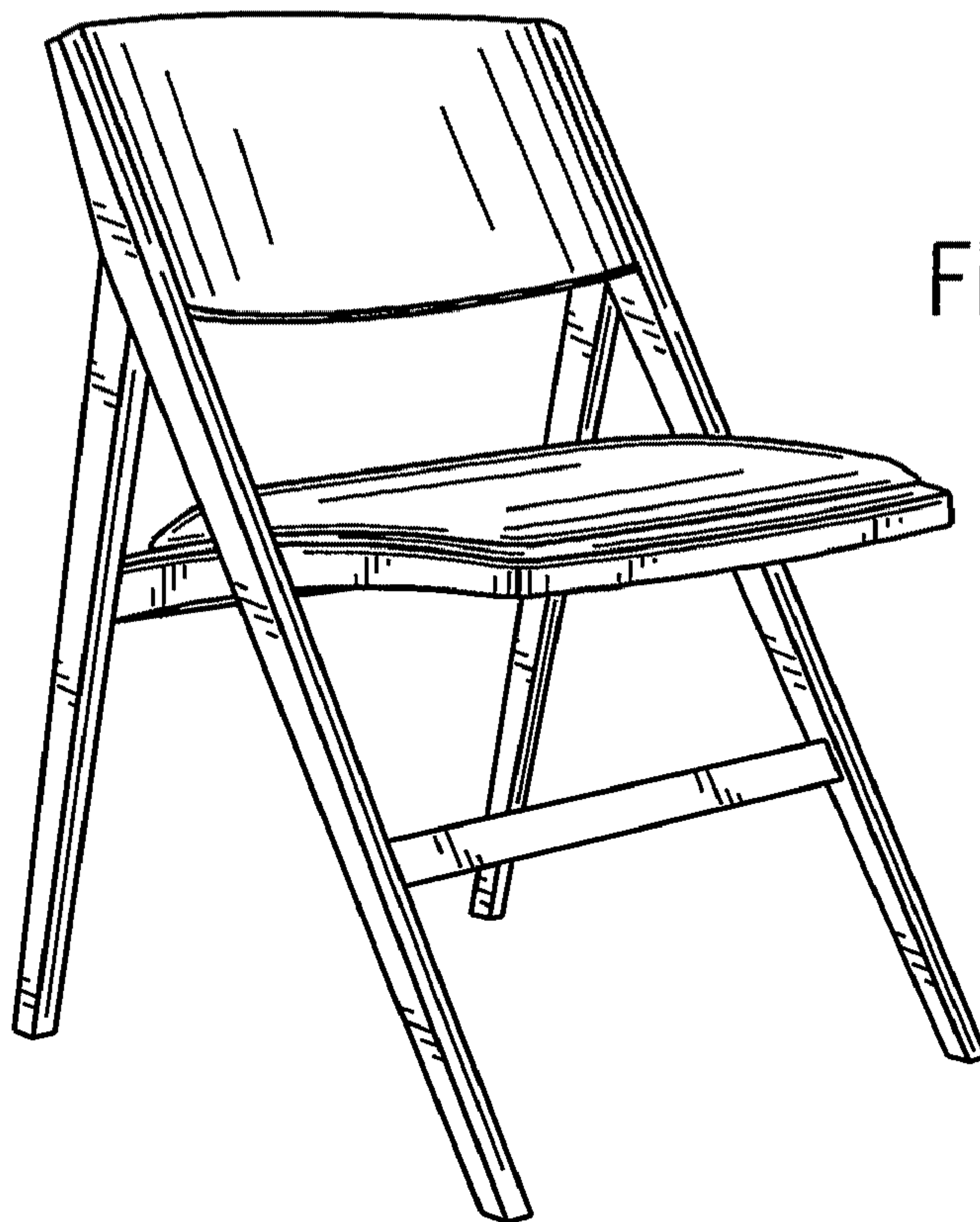


FIG. 9



FIG. 10

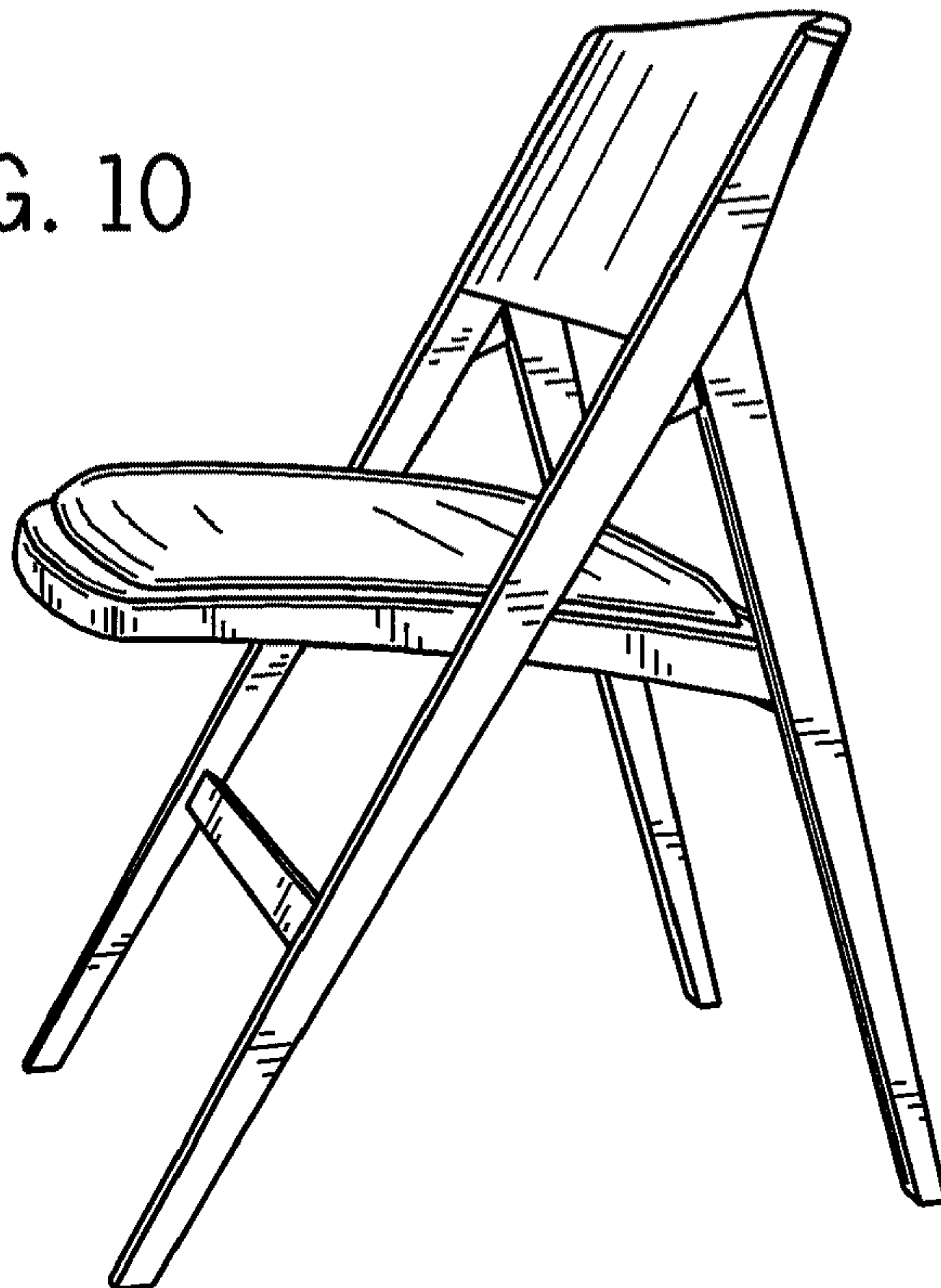


FIG. 11

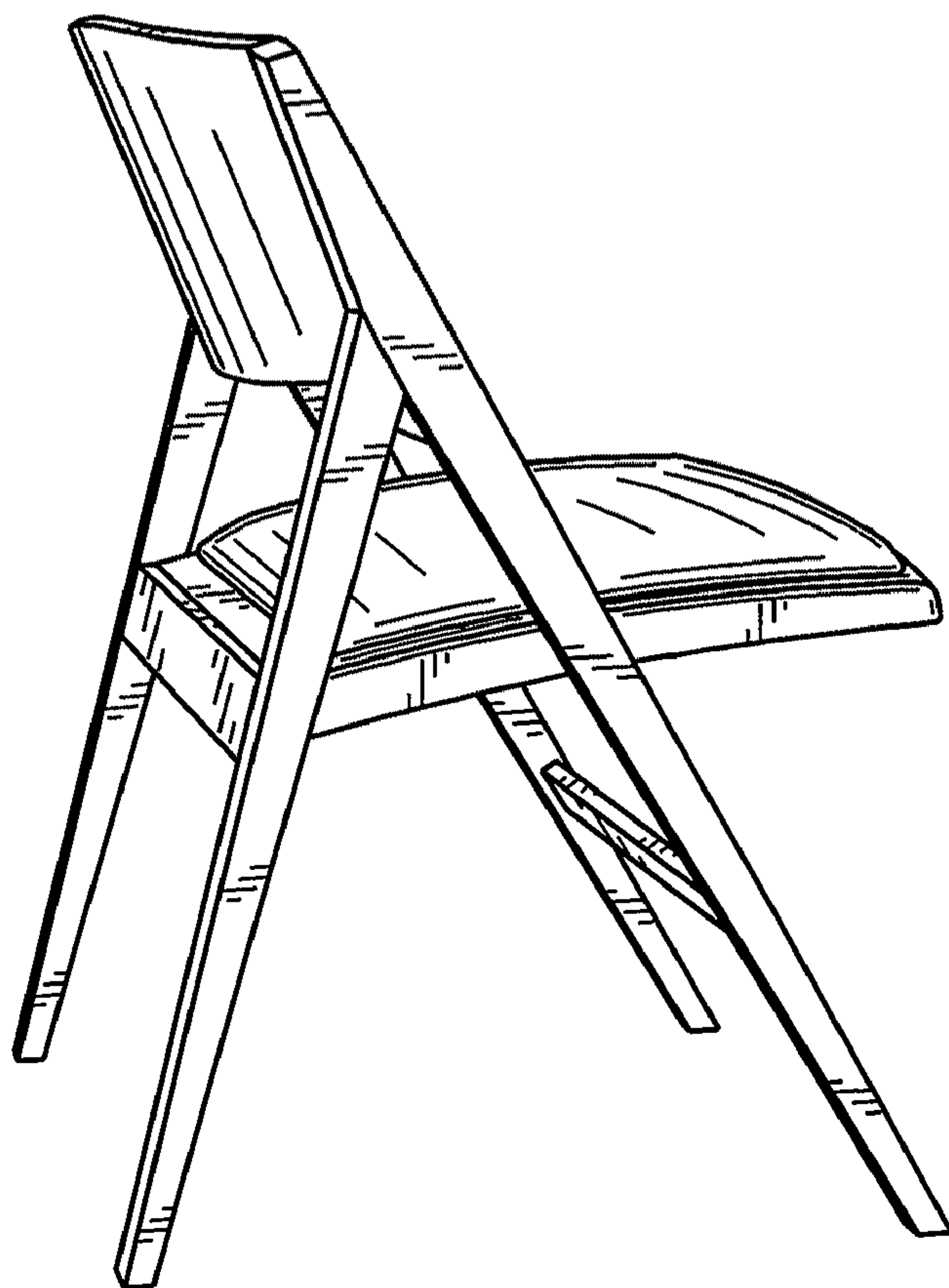
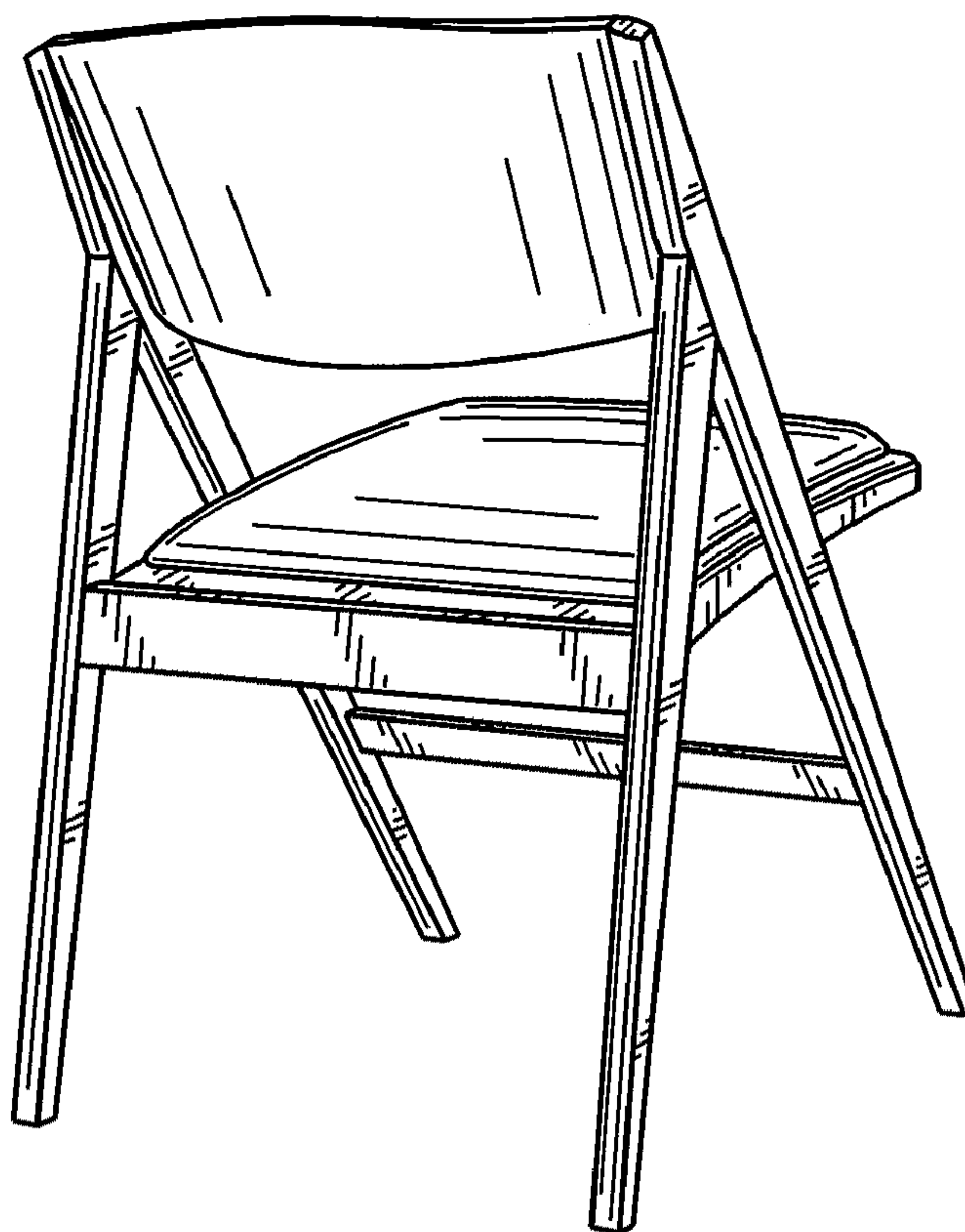


FIG. 12