



US00D582170S

(12) **United States Design Patent**  
**Chi**

(10) **Patent No.:** **US D582,170 S**

(45) **Date of Patent:** **\*\* Dec. 9, 2008**

(54) **CHAIR**

(76) **Inventor:** **Ching-Hui Chi**, No. 157, Fuhsing Rd.,  
Lin 15, Wen Hua Li, Taoyuan City (TW)

(\*\*) **Term:** **14 Years**

(21) **Appl. No.:** **29/318,266**

(22) **Filed:** **May 16, 2008**

(51) **LOC (8) Cl.** ..... **06-01**

(52) **U.S. Cl.** ..... **D6/366**

(58) **Field of Classification Search** ..... D6/334-336,  
D6/360, 364, 365, 366, 367, 369, 374, 379,  
D6/380, 498, 500-502; 297/284.4, 411.27,  
297/452.13, 452.29, 452.3, 452.56, 452.64  
See application file for complete search history.

(56) **References Cited**

**U.S. PATENT DOCUMENTS**

D327,781 S *	7/1992	Citterio	.....	D6/366
D445,580 S *	7/2001	Pennington et al.	.....	D6/366
D446,397 S *	8/2001	Pennington et al.	.....	D6/366

D487,641 S *	3/2004	James	.....	D6/366
D489,191 S *	5/2004	Ma	.....	D6/366
D493,626 S *	8/2004	James	.....	D6/366
D528,811 S *	9/2006	Giugiaro	.....	D6/366

\* cited by examiner

*Primary Examiner*—Mimosa De

(74) *Attorney, Agent, or Firm*—Leong C. Lei

(57) **CLAIM**

The ornamental design for a chair, as shown and described.

**DESCRIPTION**

FIG. 1 is a front perspective view of a chair showing my new design;

FIG. 2 is a front elevational view thereof;

FIG. 3 is a rear elevational view thereof;

FIG. 4 is a left side elevational view thereof;

FIG. 5 is a right side elevational view thereof; and,

FIG. 6 is a top plan view thereof.

**1 Claim, 6 Drawing Sheets**

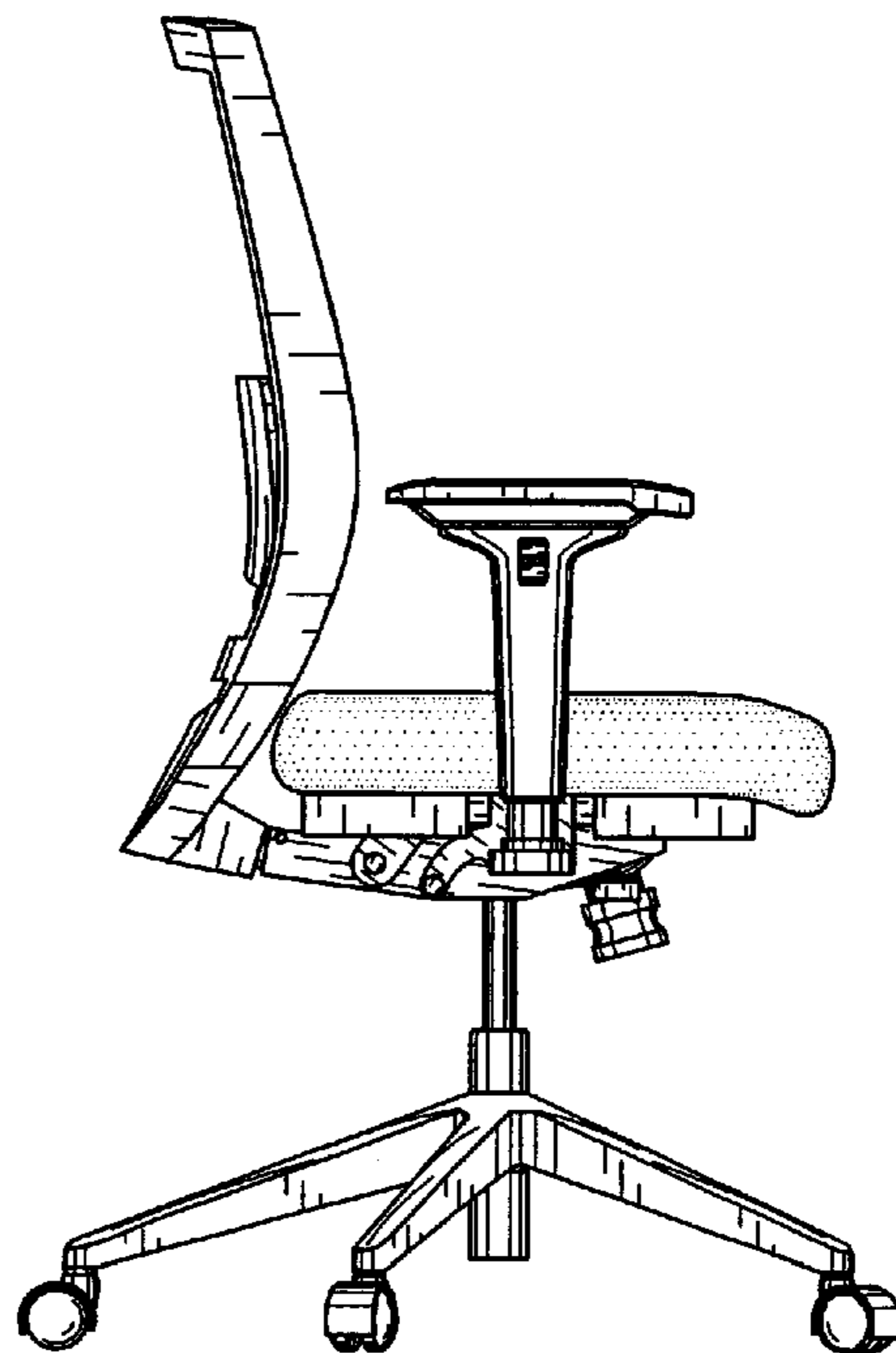




FIG. 1



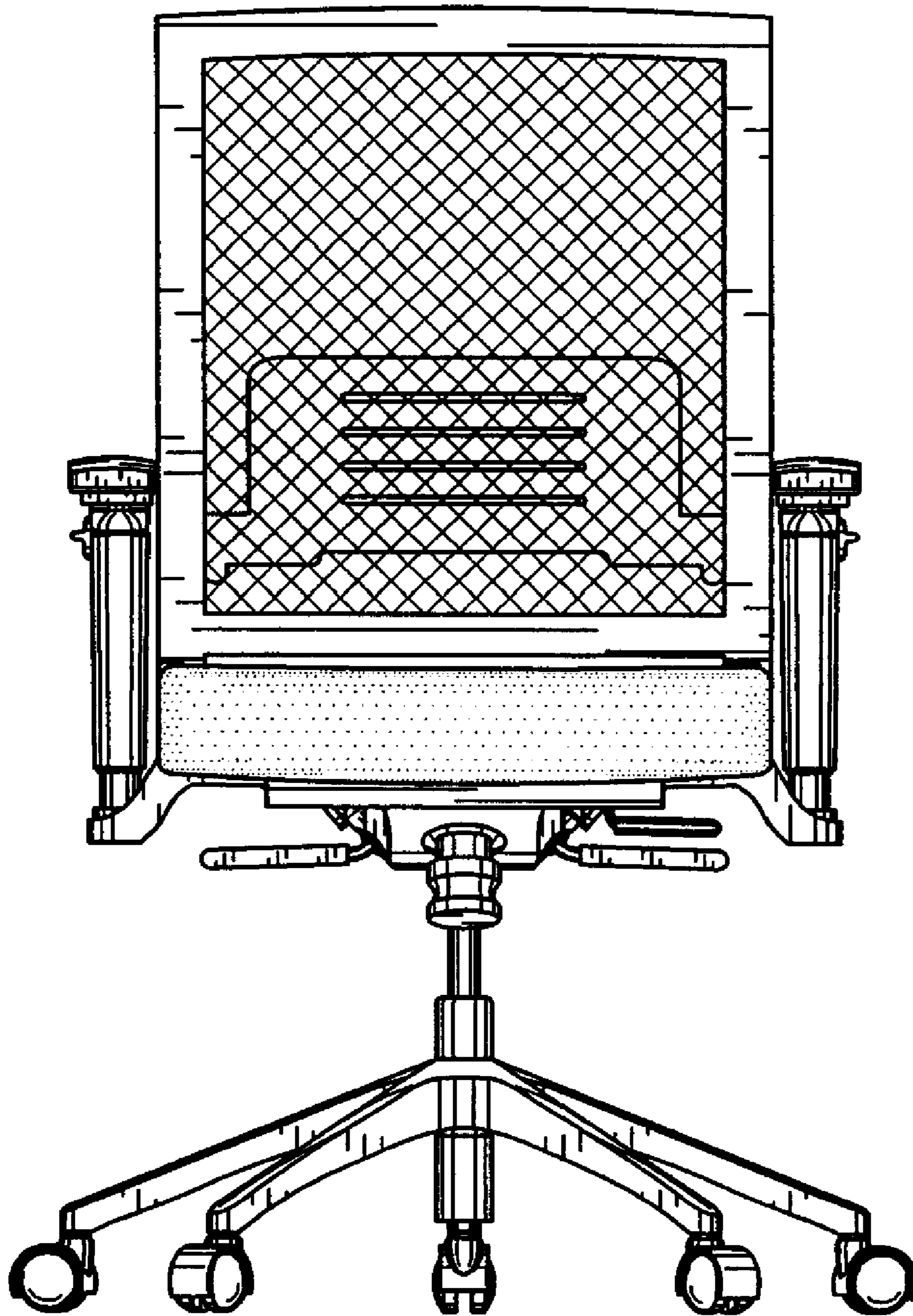


FIG. 2

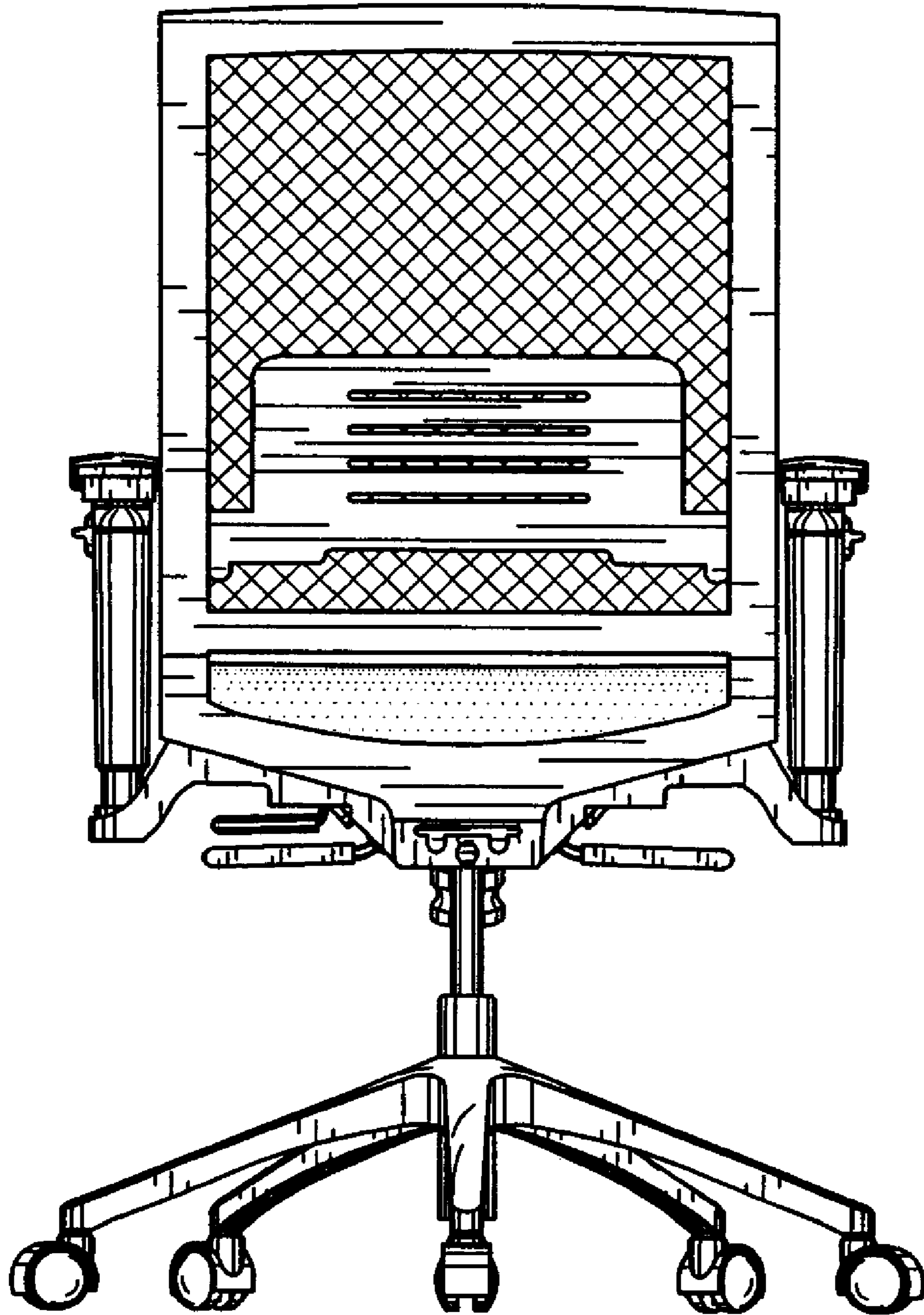


FIG. 3

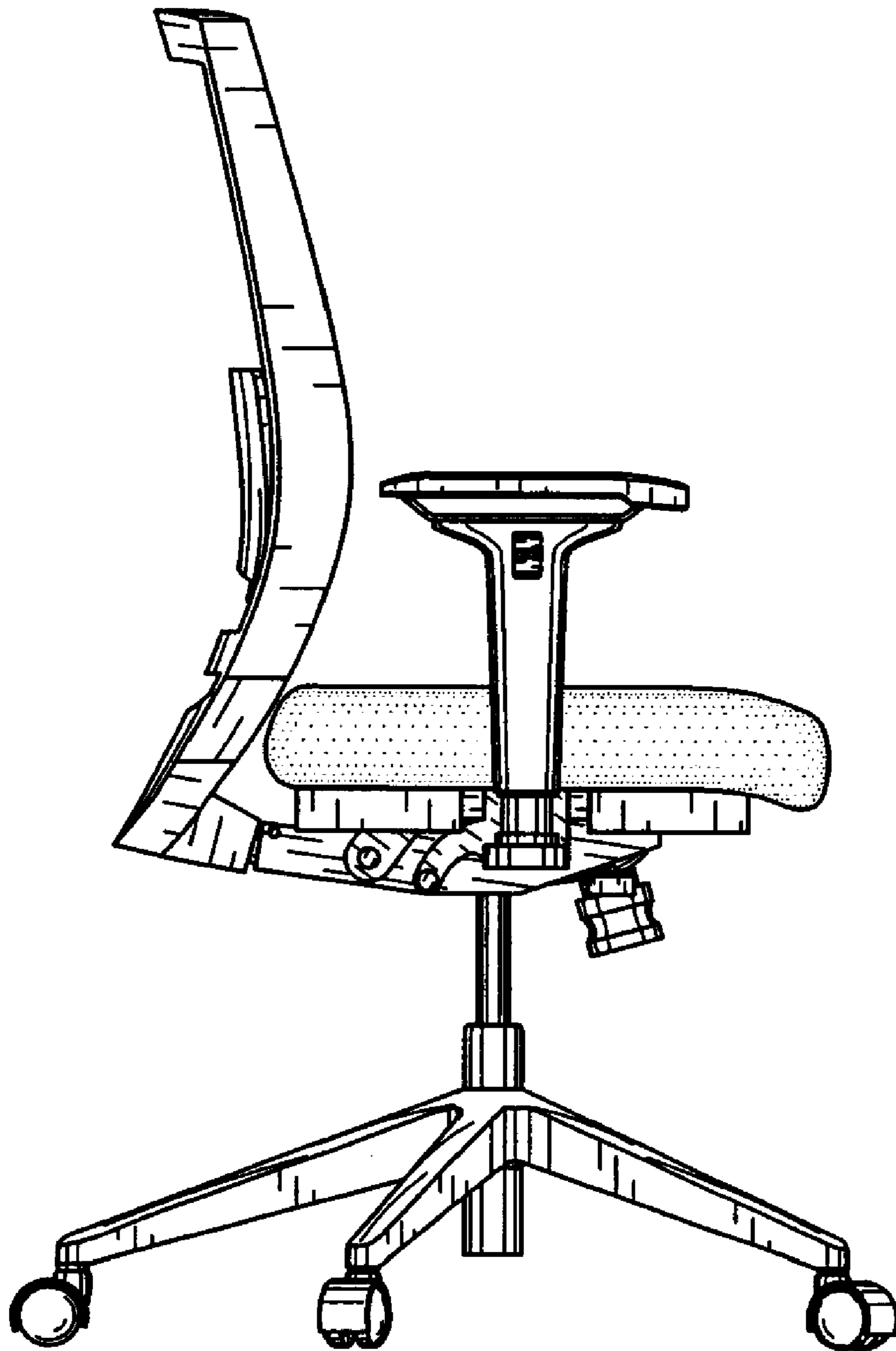


FIG. 4

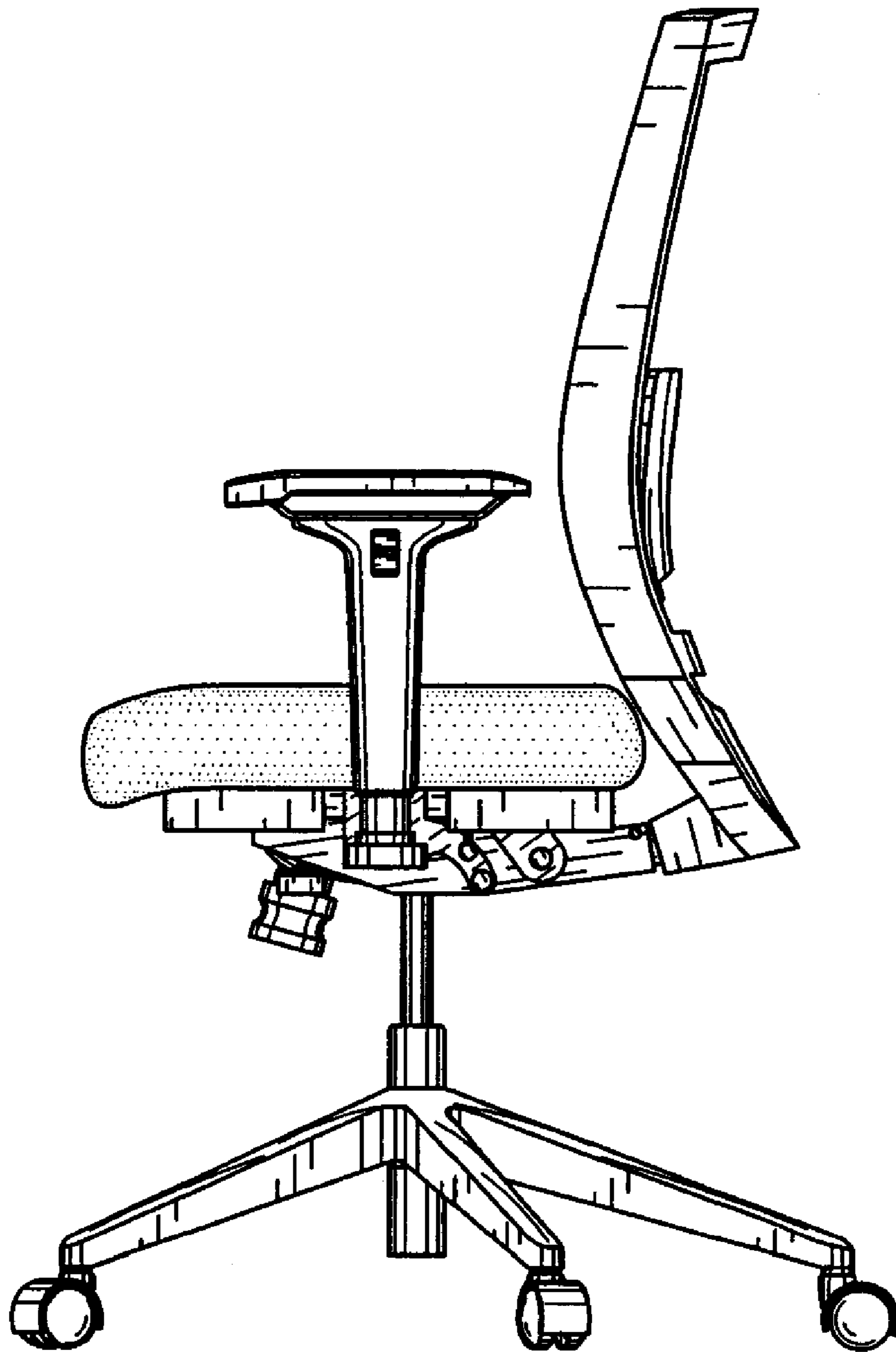


FIG. 5

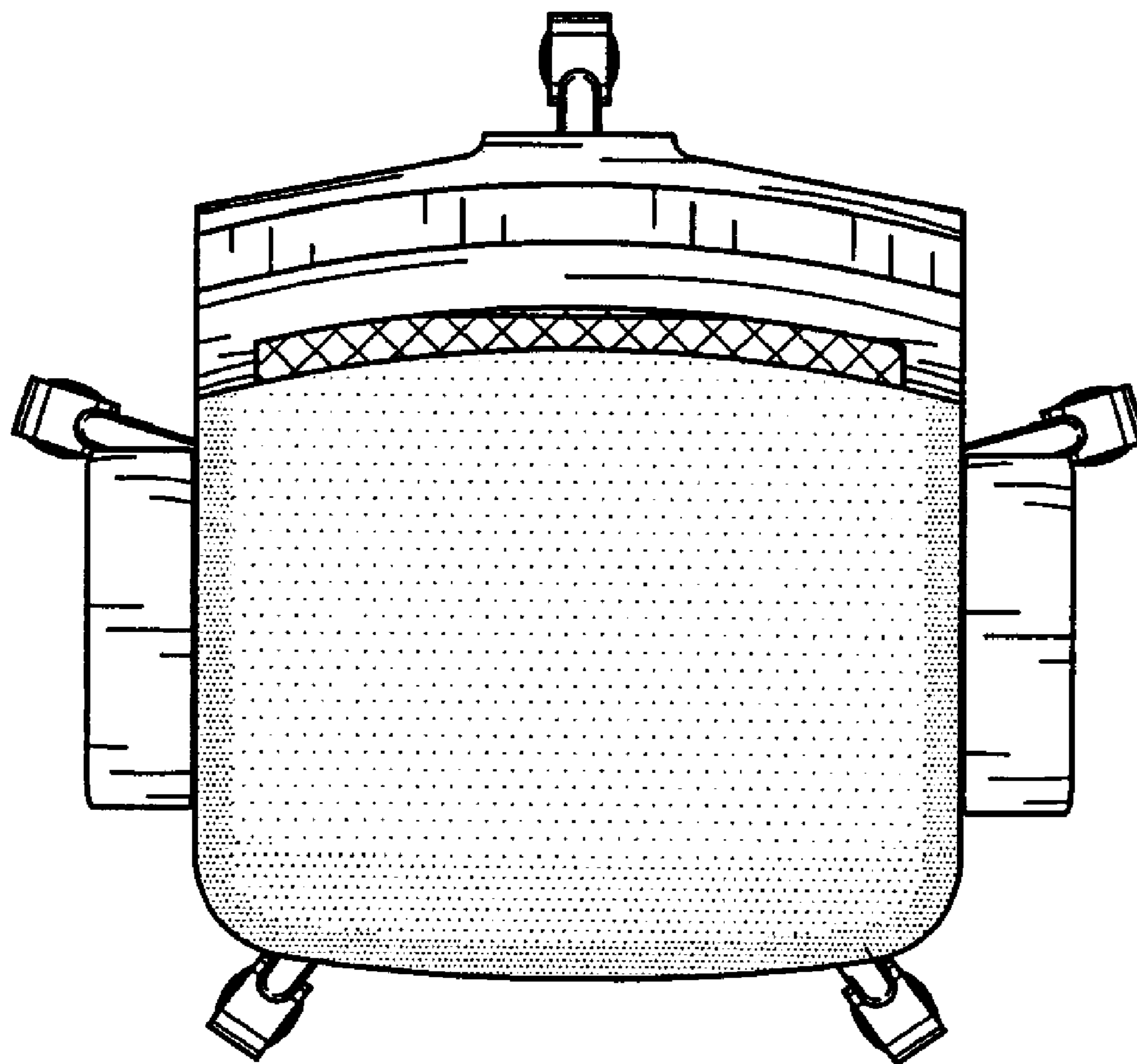


FIG. 6