



US00D582168S

(12) **United States Design Patent**
Sandel

(10) **Patent No.:** **US D582,168 S**

(45) **Date of Patent:** **** Dec. 9, 2008**

(54) **STEP STOOL WITH HANDLES**

(75) Inventor: **Dan Sandel**, Chatsworth, CA (US)

(73) Assignee: **Sandel Medical Industries, LLC**,
Chatsworth, CA (US)

(**) Term: **14 Years**

(21) Appl. No.: **29/299,844**

(22) Filed: **Jan. 4, 2008**

(51) **LOC (8) Cl.** **06-01**

(52) **U.S. Cl.** **D6/349**

(58) **Field of Classification Search** D6/349-353,
D6/355, 363, 364, 500-502, 511; 297/16.1,
297/118, 175, 195.1, 423.1, 423.14, 423.39,
297/423.41, 440.1, 440.12, 461, 462; 108/150
See application file for complete search history.

(56) **References Cited**

U.S. PATENT DOCUMENTS

D54,117 S *	11/1919	Palmquist	D6/349
D157,319 S *	2/1950	Bair	D6/349
3,592,143 A *	7/1971	Krone	108/115
D268,796 S *	5/1983	Kola	D6/349
D337,211 S *	7/1993	Bergkvist	D6/349
D342,298 S *	12/1993	Schnabel et al.	D21/671
D346,704 S *	5/1994	Grosfillex	D6/349
5,310,146 A *	5/1994	Maguire	248/188.2
D353,636 S *	12/1994	Le Roux	D21/671
5,449,170 A *	9/1995	Clements	273/108.1
5,749,555 A *	5/1998	Albrecht	248/346.01
D396,566 S *	8/1998	Albrecht	D6/349
D408,555 S *	4/1999	Albrecht	D25/65
D540,950 S *	4/2007	Johnson	D24/183
D553,370 S *	10/2007	Meyers et al.	D6/350
D567,395 S *	4/2008	Bishop et al.	D25/65

* cited by examiner

Primary Examiner—Sandra Snapp

(74) *Attorney, Agent, or Firm*—Kenneth H. Ohriner; Perkins Coie LLP

(57) **CLAIM**

The ornamental design for a step stool with handles, as shown and described.

DESCRIPTION

FIGS. 1-7 show a first embodiment of my new design.

FIG. 1 is a top, front, and left side perspective view of the first embodiment of my new design.

FIG. 2 is a left side view.

FIG. 3 is a right side view.

FIG. 4 is a rear view, the front view is a mirror image of the rear view.

FIG. 5 is a top plan view.

FIG. 6 is a bottom plan view.

FIG. 7 is an enlarged perspective view of the corner shown in FIG. 1.

FIGS. 8-13 show a second embodiment of my new design.

FIG. 8 is a top, front, and left side perspective view of the second embodiment.

FIG. 9 is a left side view.

FIG. 10 is a right side view.

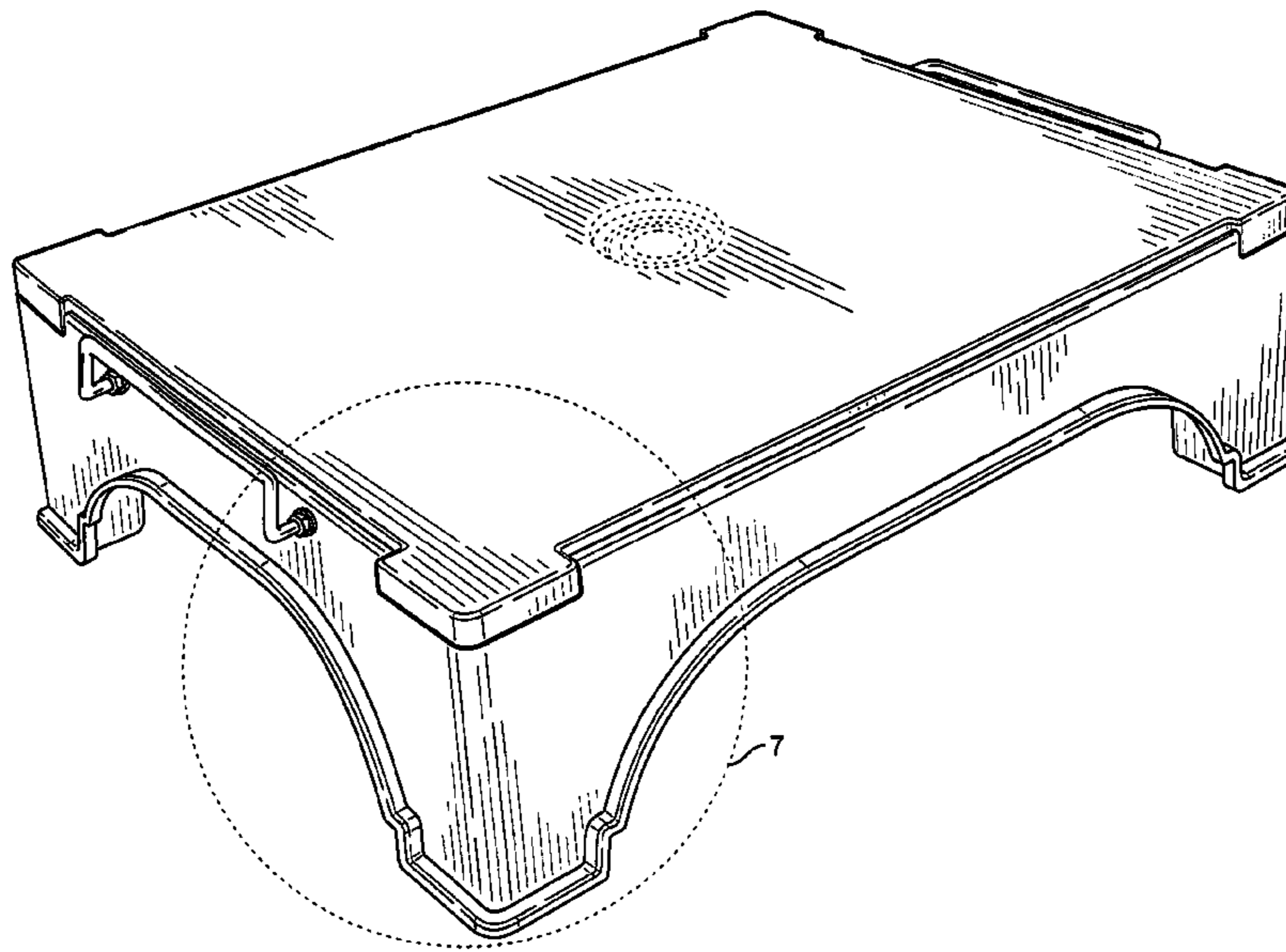
FIG. 11 is a rear view, the front view is a mirror image of the rear view.

FIG. 12 is a top plan view; and,

FIG. 13 is an enlarged perspective view of the corner shown in FIG. 8.

Dotted lines indicate unclaimed subject matter.

1 Claim, 7 Drawing Sheets



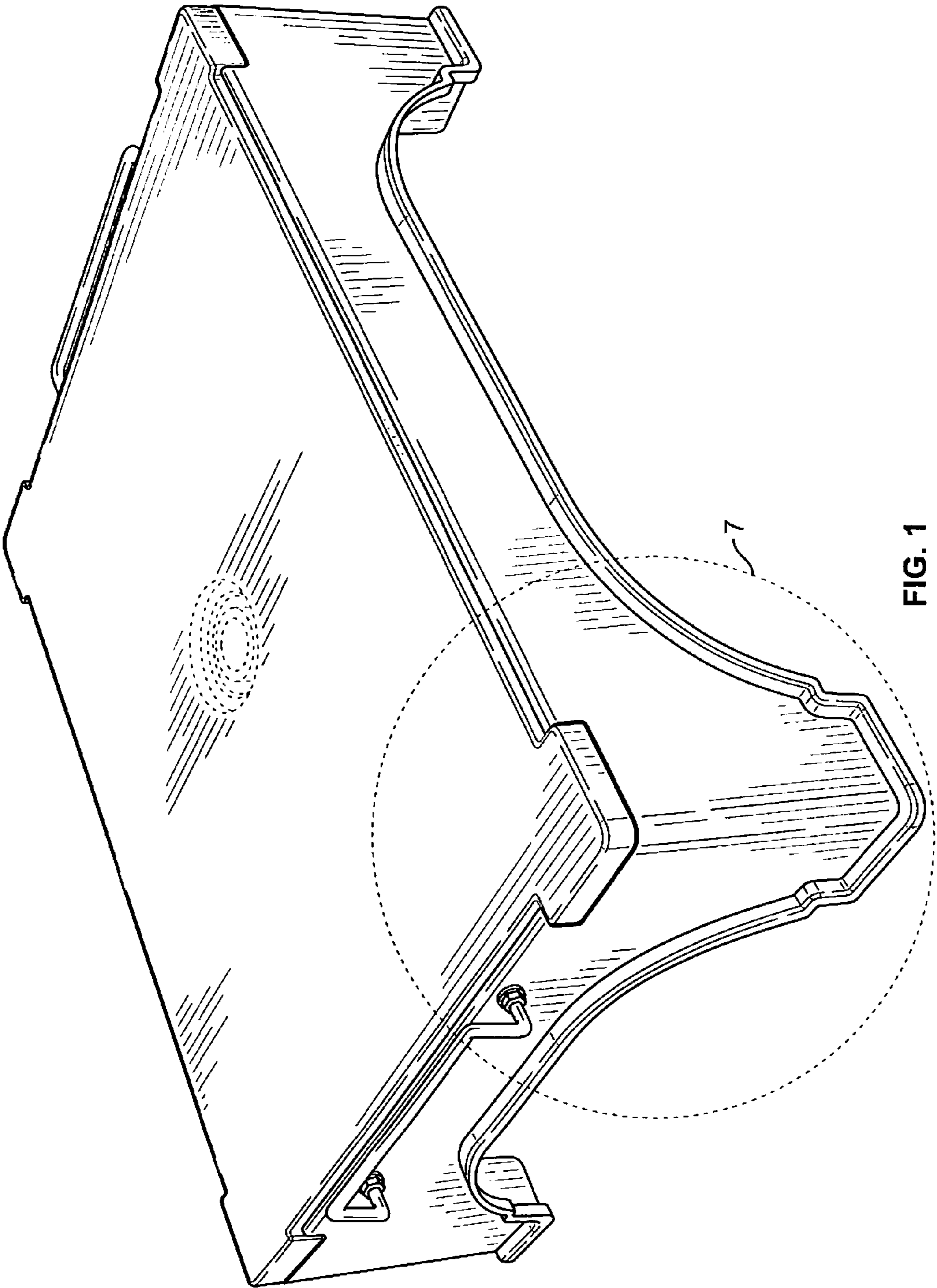


FIG. 1

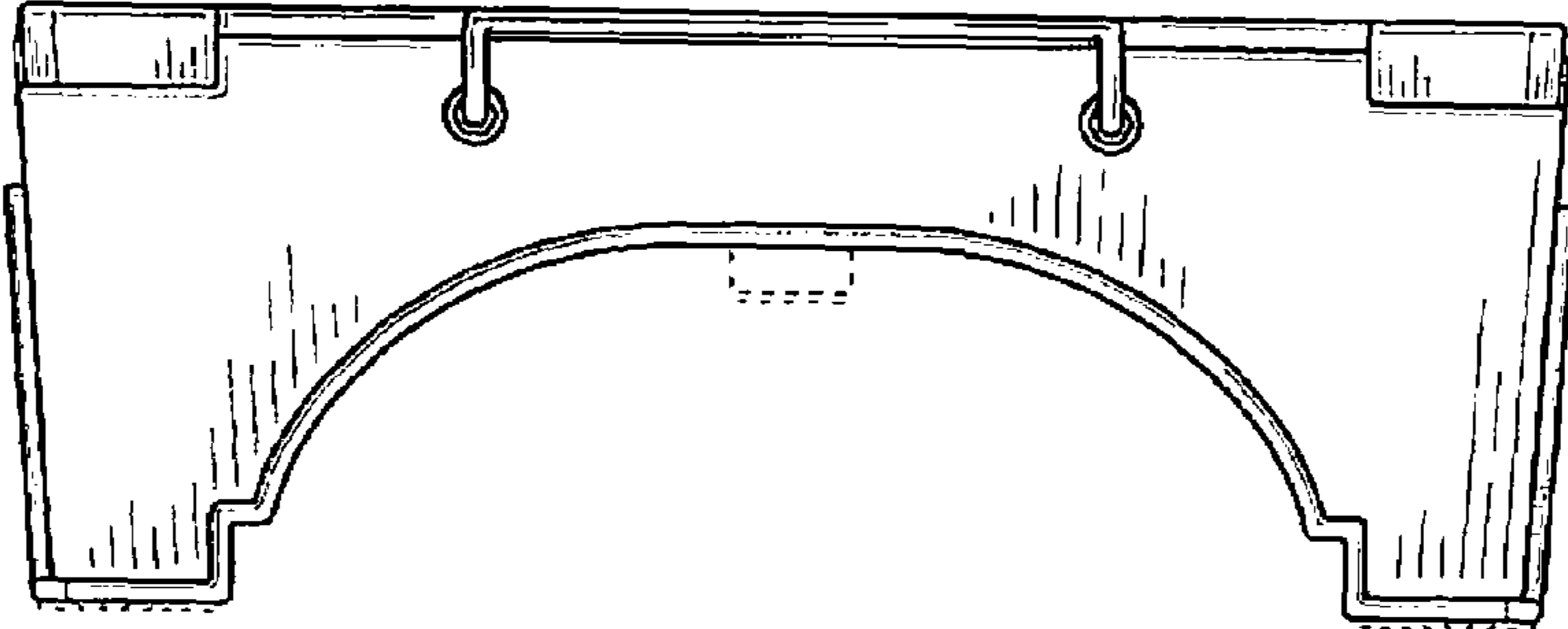


FIG. 2

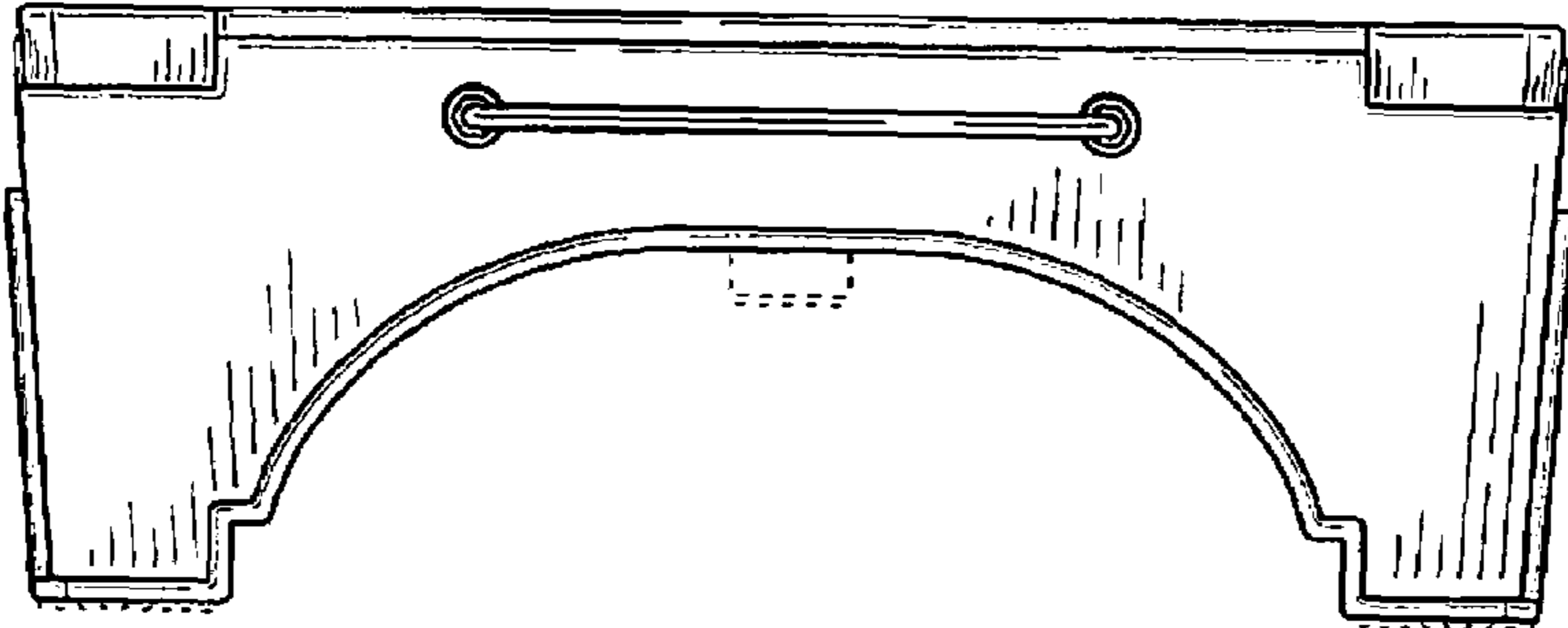


FIG. 3

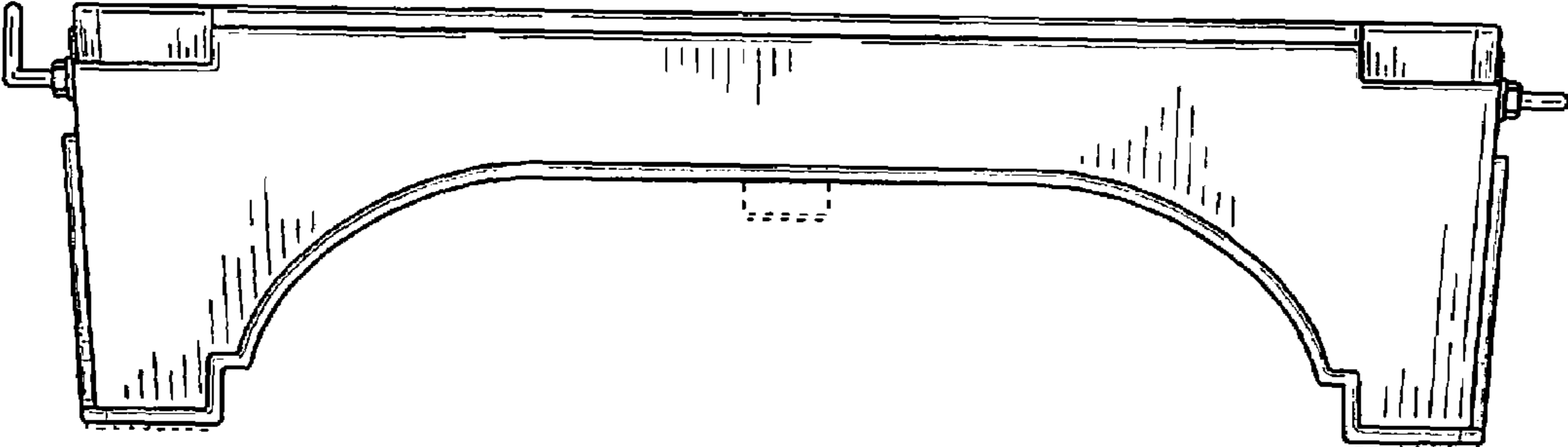


FIG. 4

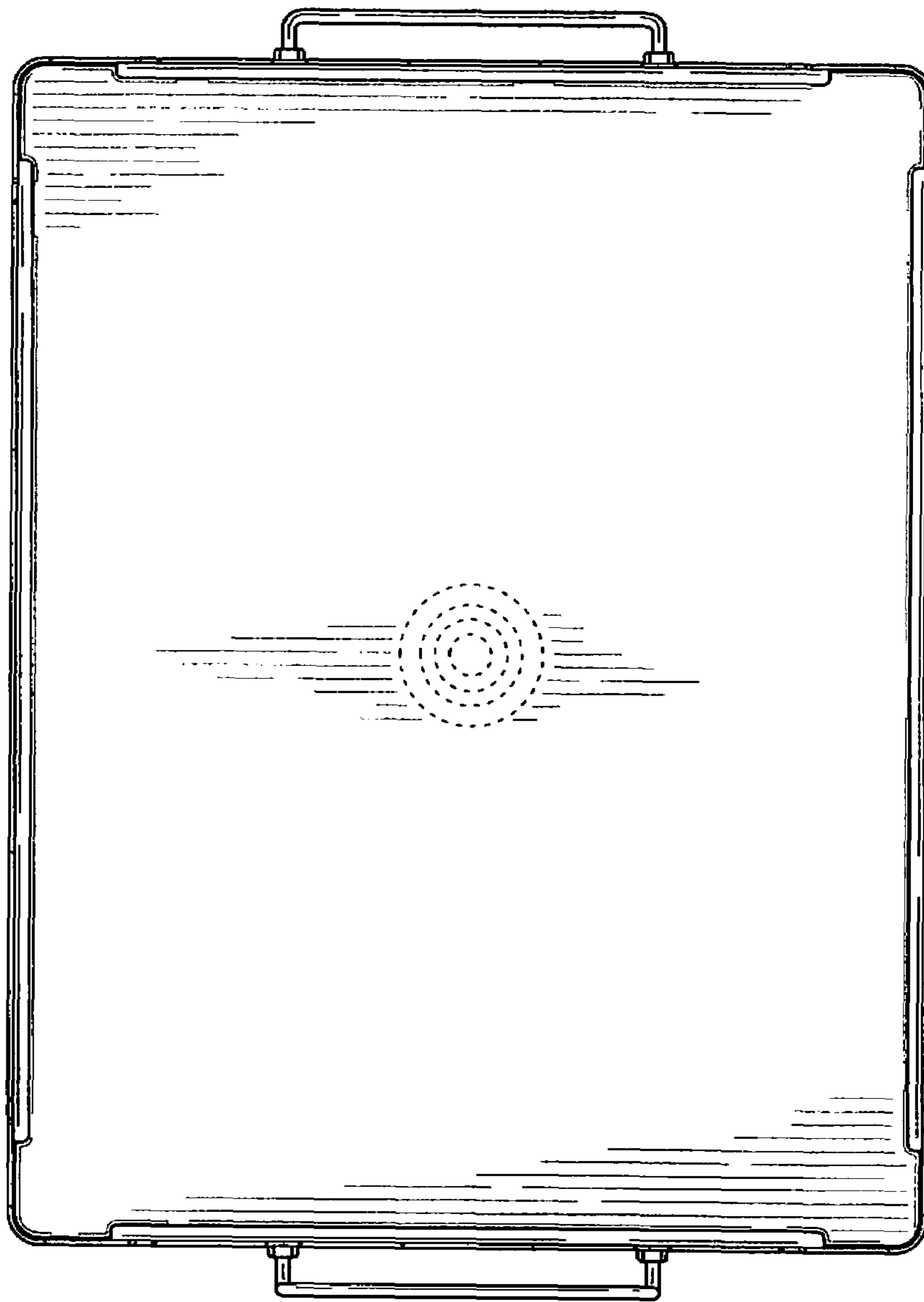


FIG. 5

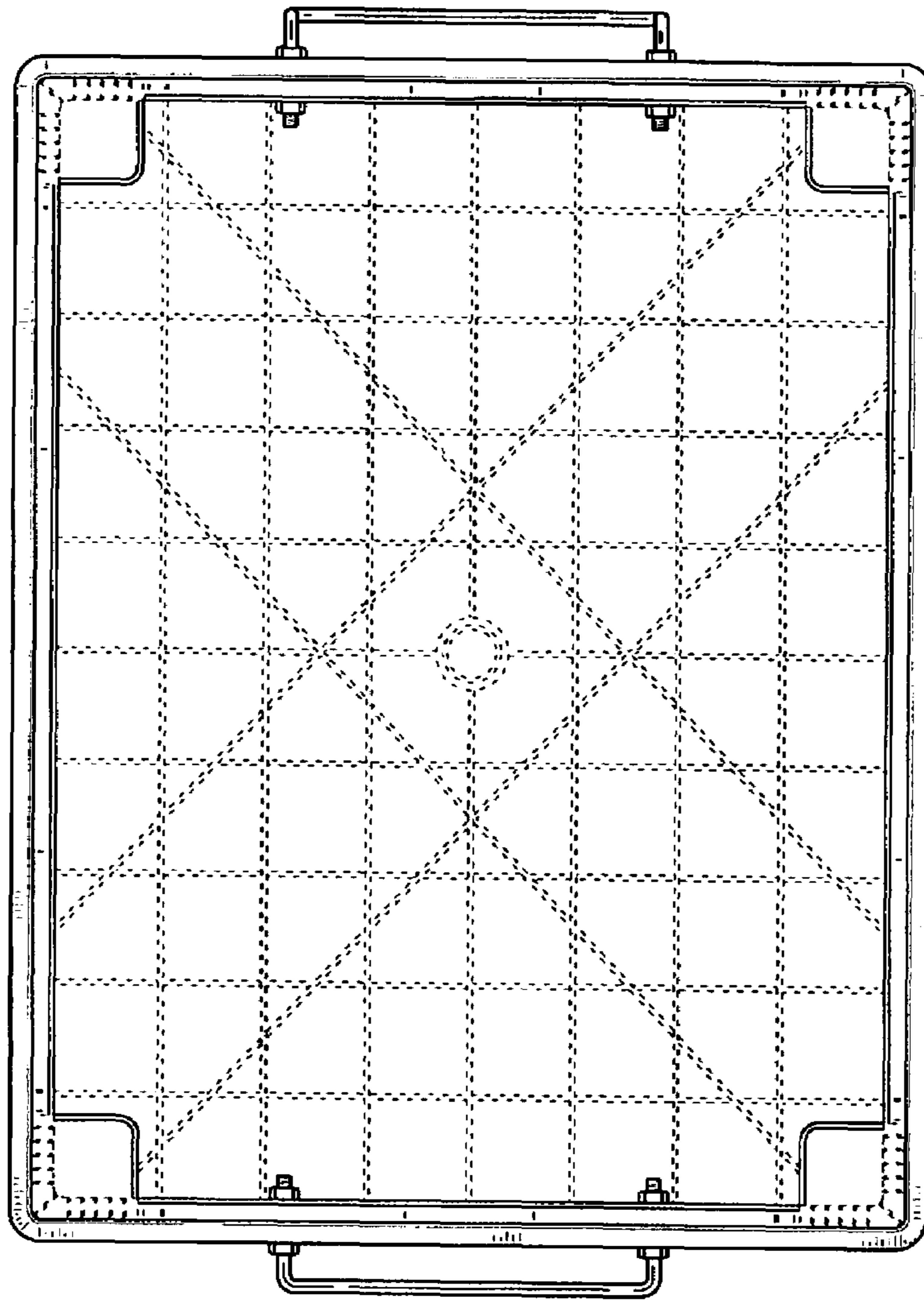


FIG. 6

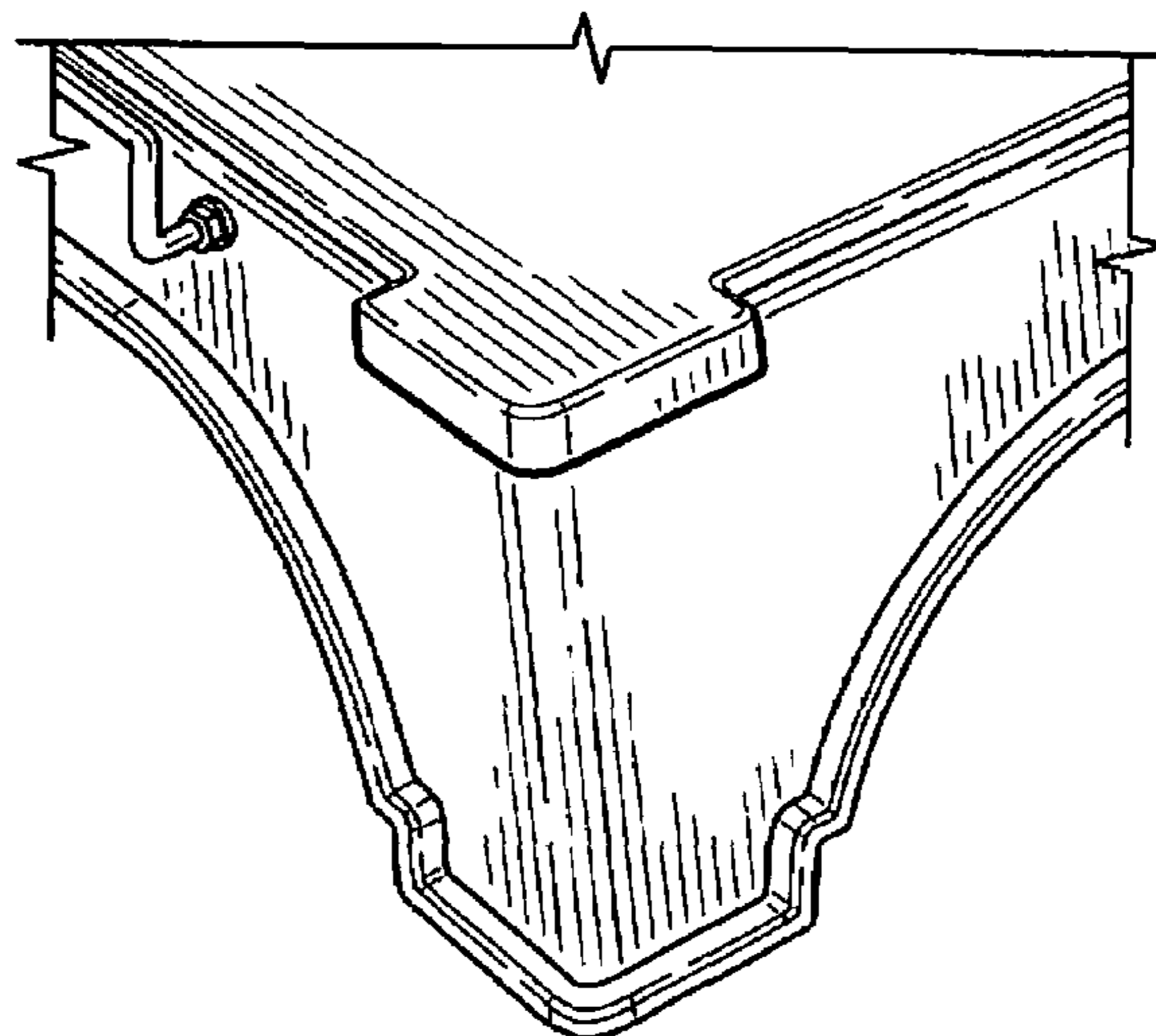


FIG. 7

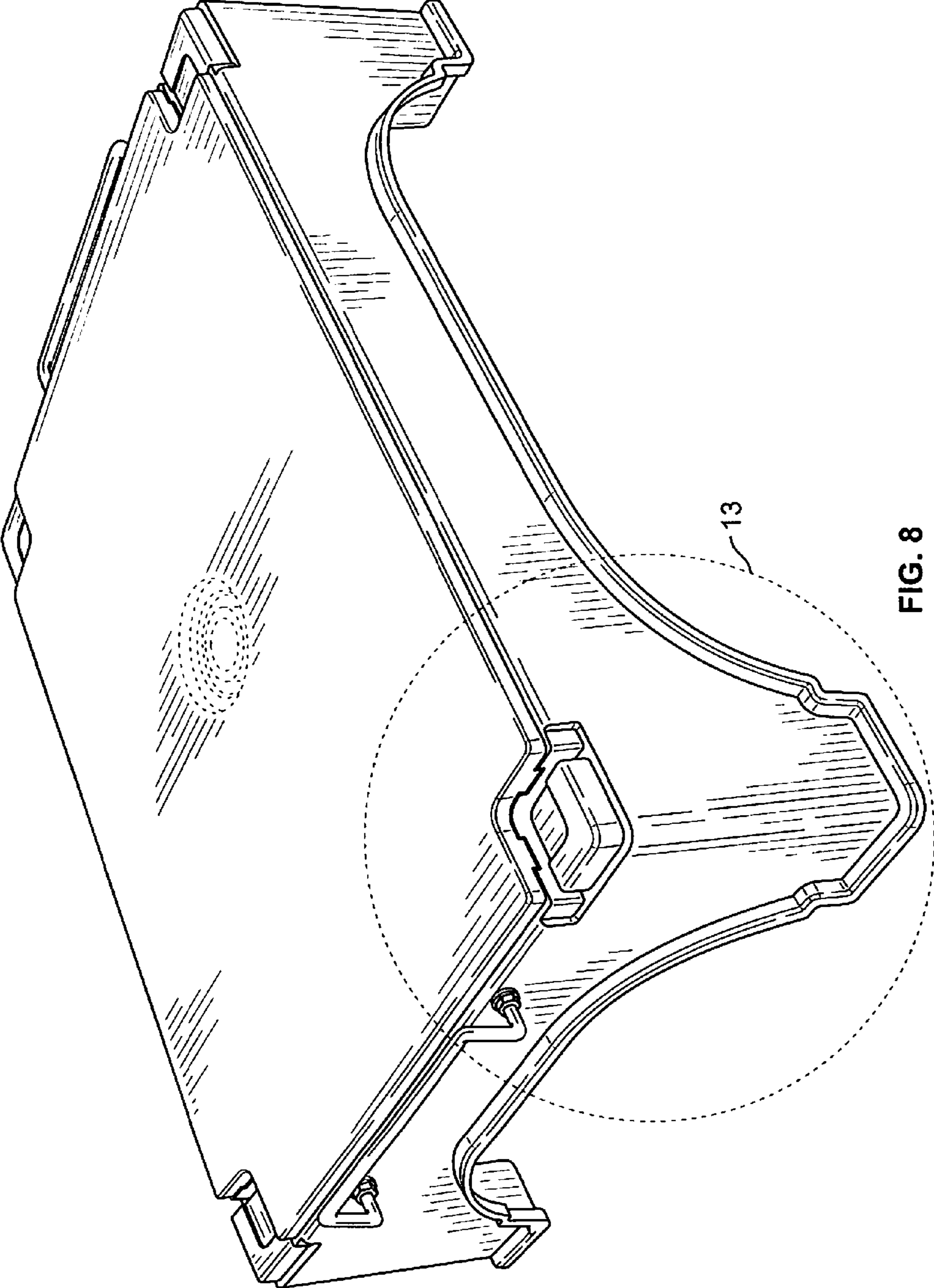


FIG. 8

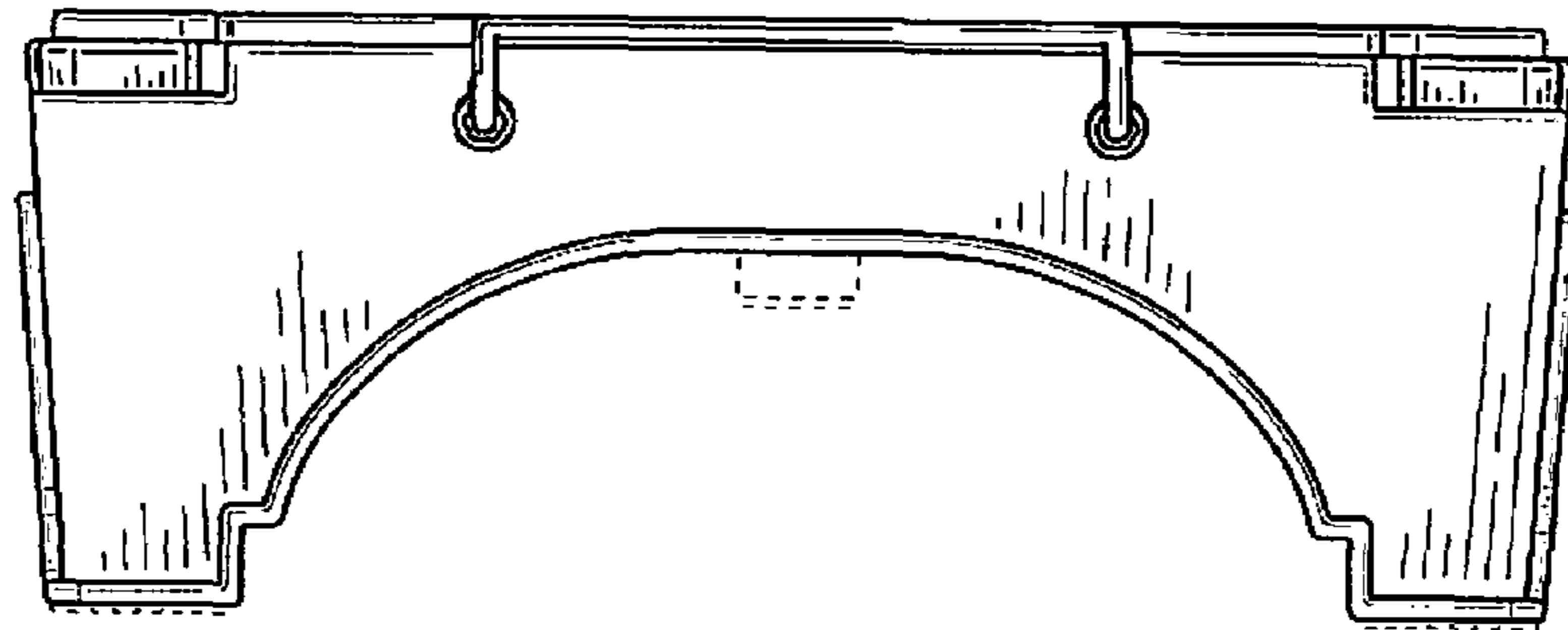


FIG. 9

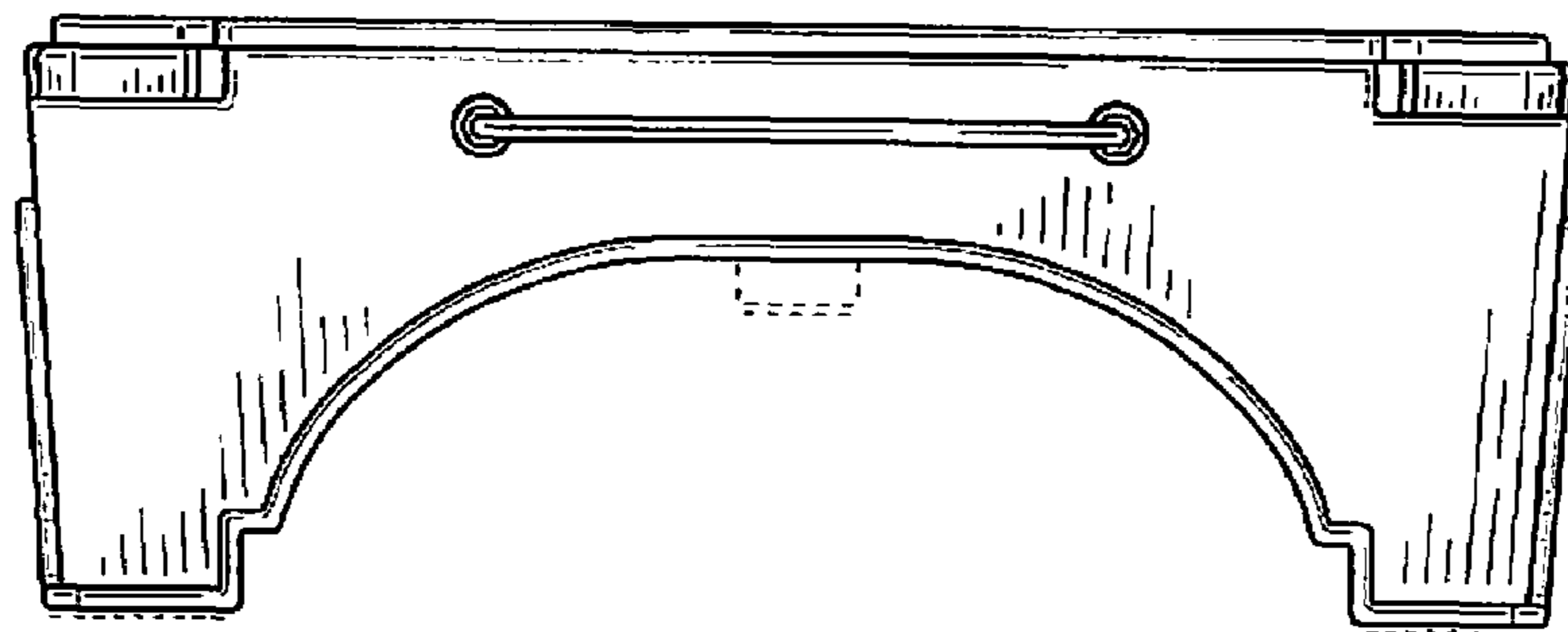


FIG. 10

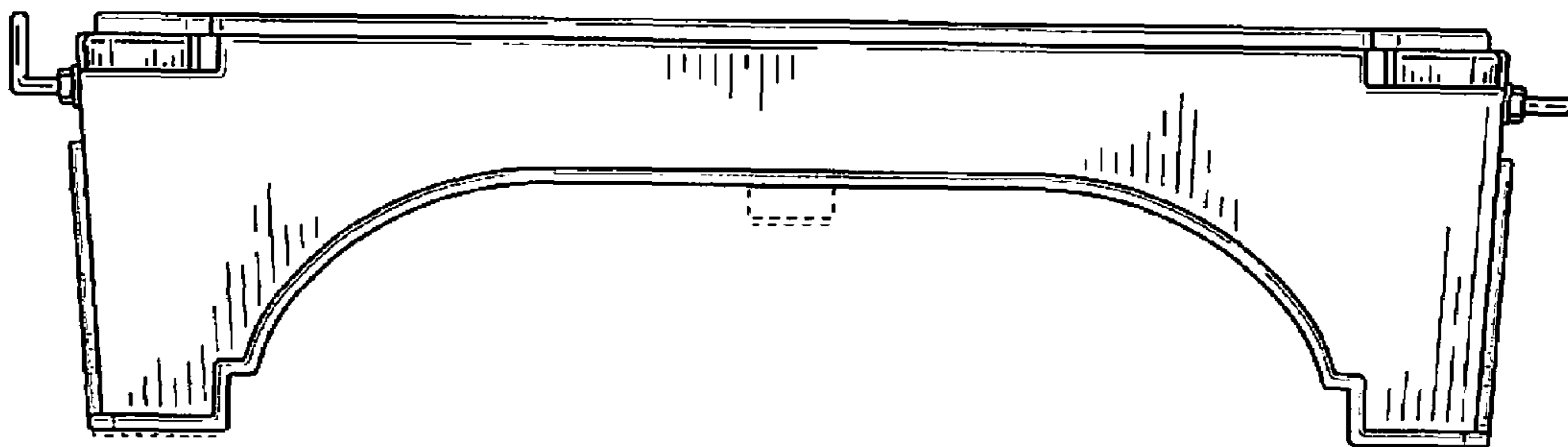


FIG. 11

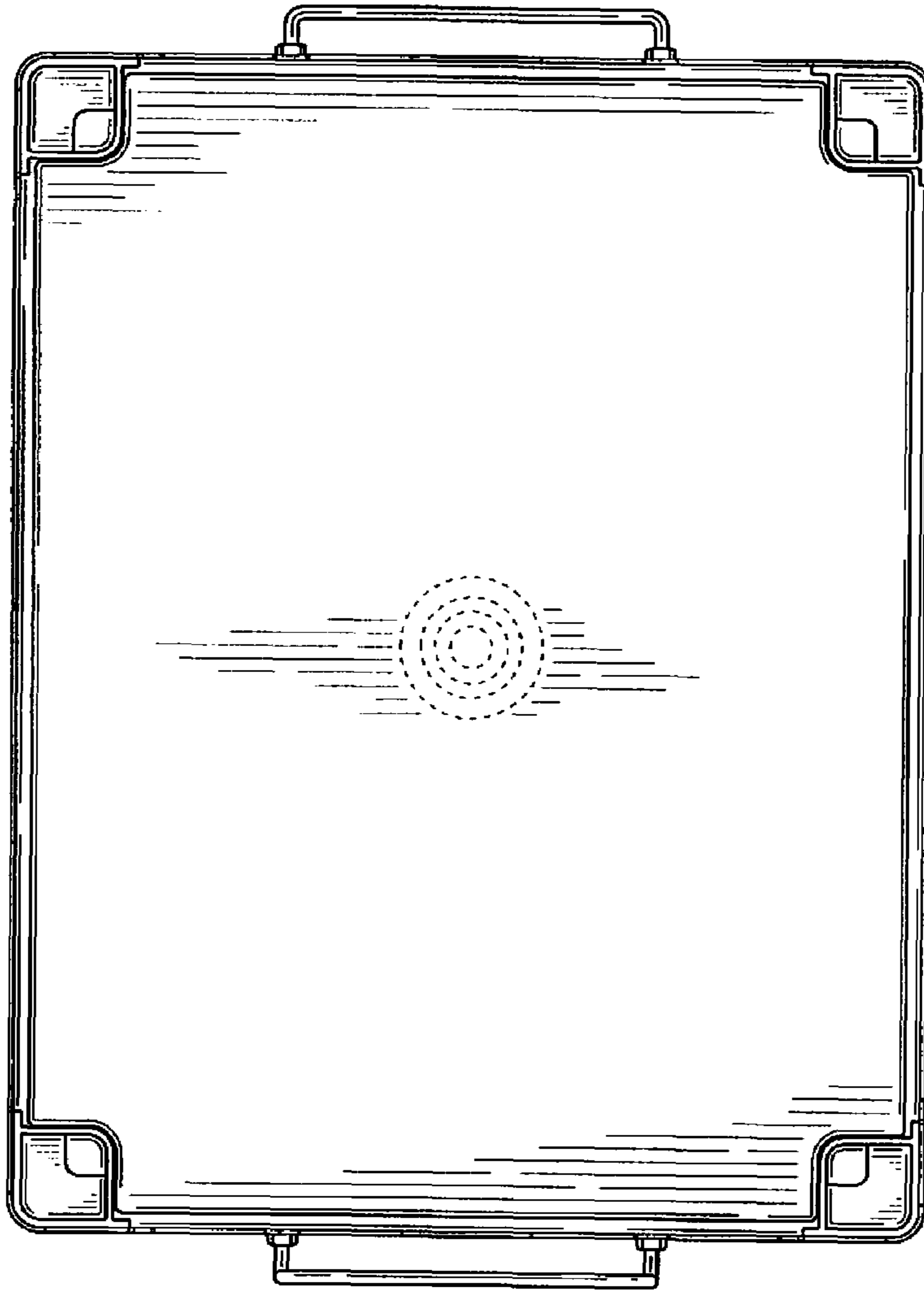


FIG. 12

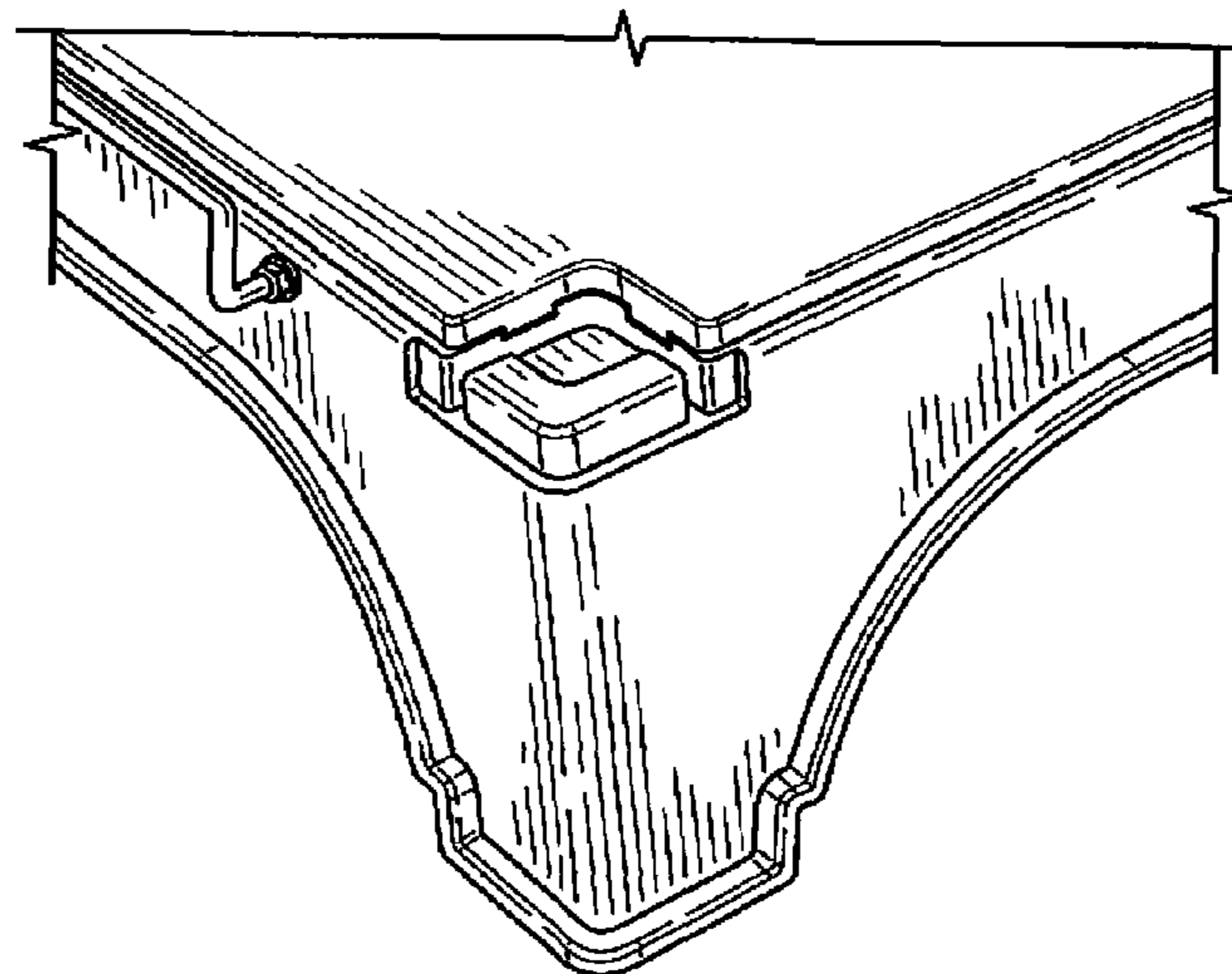


FIG. 13