



US00D582159S

(12) **United States Design Patent**  
**Gilbert**

(10) **Patent No.:** **US D582,159 S**  
(45) **Date of Patent:** **\*\* Dec. 9, 2008**

(54) **EATING UTENSIL CASE**

(75) Inventor: **Tyler Sean Gilbert**, Bellevue, WA (US)

(73) Assignee: **Pacific Market International, LLC**,  
Seattle, WA (US)

(\*\*) Term: **14 Years**

(21) Appl. No.: **29/318,952**

(22) Filed: **May 30, 2008**

(51) **LOC (8) Cl.** ..... **03-01**

(52) **U.S. Cl.** ..... **D3/274; D7/391**

(58) **Field of Classification Search** ..... D3/201,  
D3/254, 274, 294, 315; D7/368, 391-392,  
D7/392.1, 401.2, 637, 642-646, 649-653,  
D7/660-664, 669, 675-676, 683, 688-692,  
D7/695-696; D9/415, 428, 432, 435, 449;  
D19/36; 30/1, 137, 141-143, 147-150, 322-327,  
30/329, 340; 222/556

See application file for complete search history.

(56) **References Cited**

**U.S. PATENT DOCUMENTS**

D277,724 S *	2/1985	Daenen et al.	.....	D7/392
D278,115 S *	3/1985	Leininger	.....	D7/392
D278,312 S *	4/1985	Cleevely et al.	.....	D9/449
4,759,478 A *	7/1988	Richardson et al.	.....	222/556
D314,708 S *	2/1991	DeCoster	.....	D9/449
D331,877 S *	12/1992	Robichaud et al.	.....	D9/449
D360,894 S *	8/1995	Volk et al.	.....	D19/36
D401,854 S *	12/1998	DeCoster et al.	.....	D9/435
D428,763 S *	8/2000	Hashimoto	.....	D7/392.1
D462,613 S *	9/2002	Bried et al.	.....	D9/428
D467,801 S *	12/2002	Baerenwald et al.	.....	D9/432

\* cited by examiner

*Primary Examiner*—Caron Veynar

*Assistant Examiner*—Ricky Pham

(74) *Attorney, Agent, or Firm*—Davis Wright Tremaine LLP;  
George C. Rondeau, Jr.

(57) **CLAIM**

The ornamental design for an eating utensil case, as shown and described.

**DESCRIPTION**

FIG. 1 is a top right perspective view of an eating utensil case showing my new design;

FIG. 2 is a front elevational view thereof;

FIG. 3 is a rear elevational view thereof;

FIG. 4 is a left side elevational view thereof; the right side elevational view being a mirror image thereof;

FIG. 5 is a top plan view thereof;

FIG. 6 is a bottom plan view thereof;

FIG. 7 is a top right perspective view of a second embodiment thereof;

FIG. 8 is a front elevational view thereof;

FIG. 9 is a rear elevational view thereof;

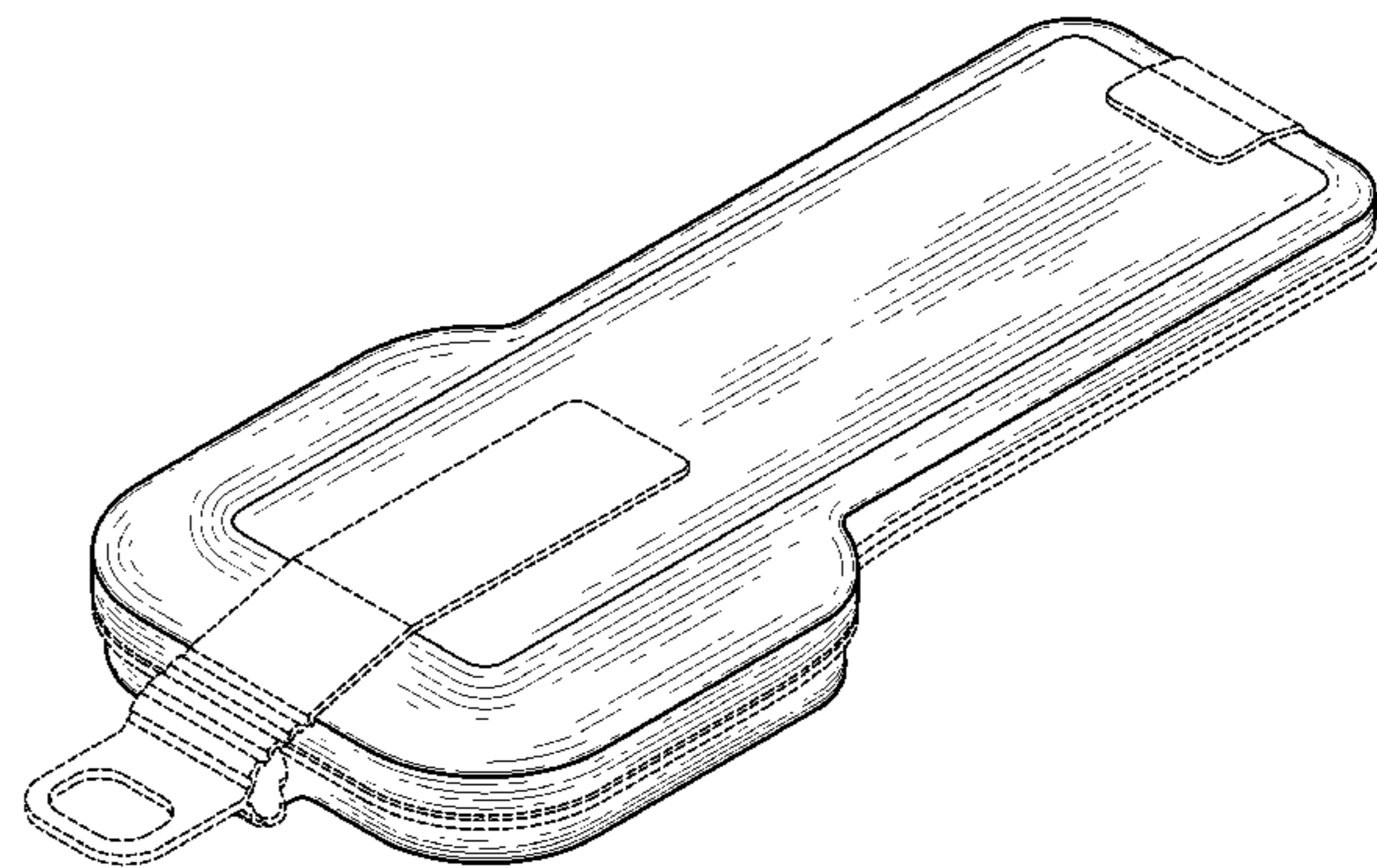
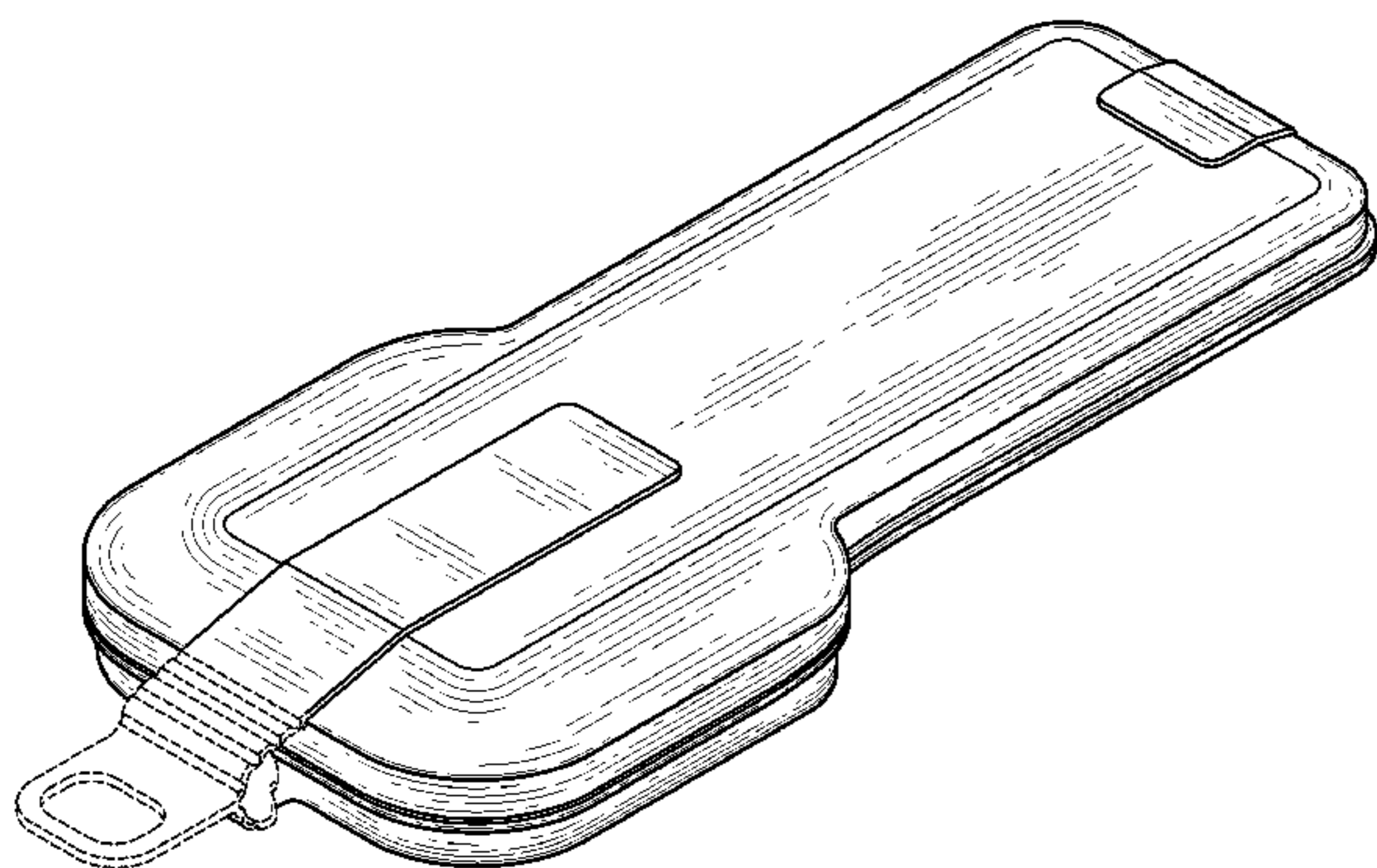
FIG. 10 is a left side elevational view thereof; the right side elevational view being a mirror image thereof;

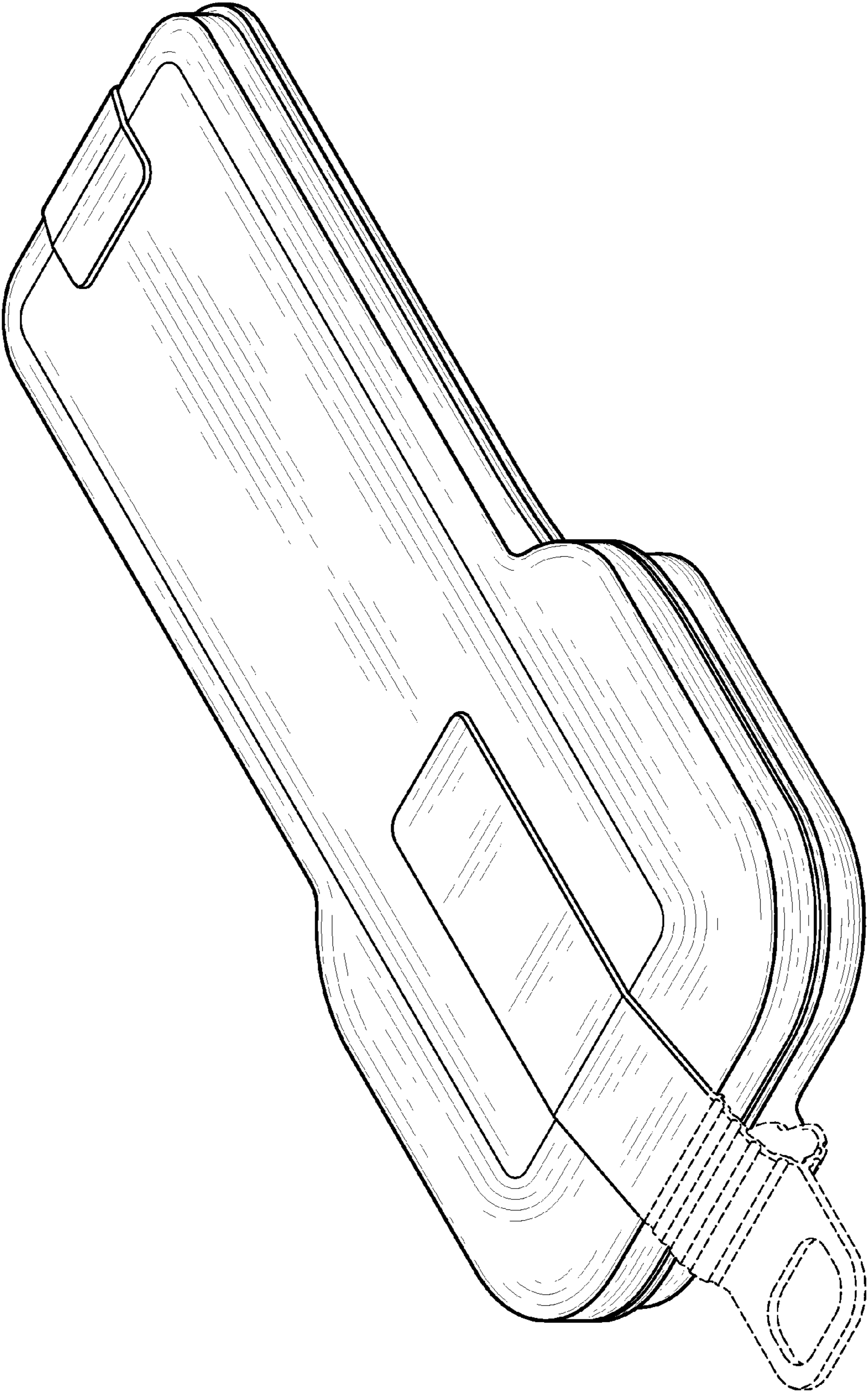
FIG. 11 is a top plan view thereof; and,

FIG. 12 is a bottom plan view thereof.

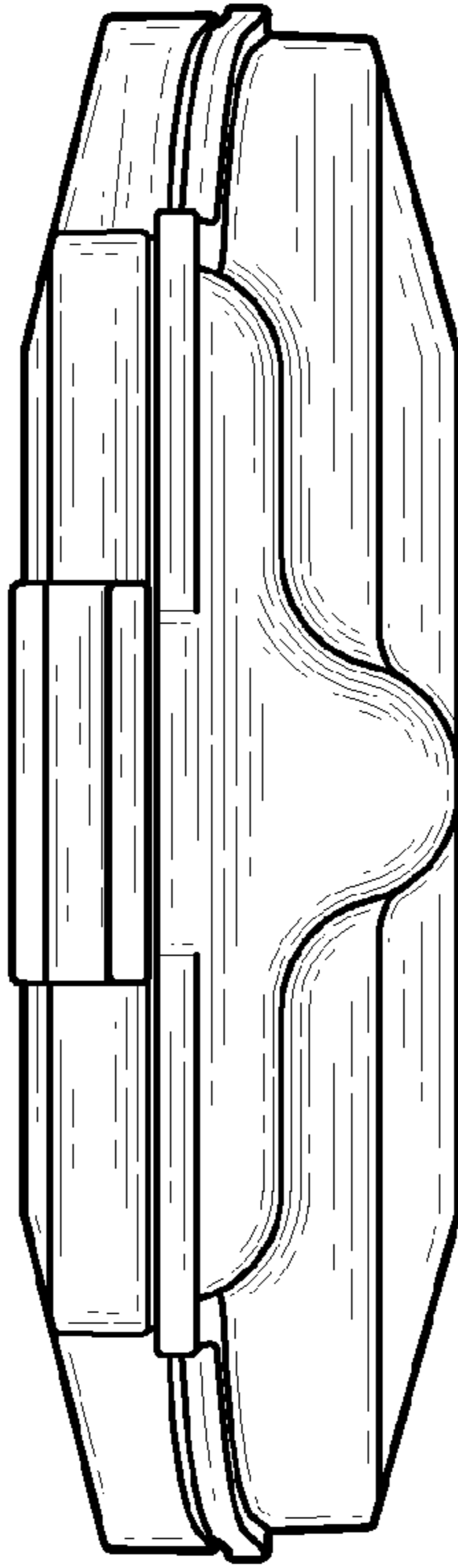
The broken lines are for illustrative purposes only and form no part of the claimed design.

**1 Claim, 10 Drawing Sheets**

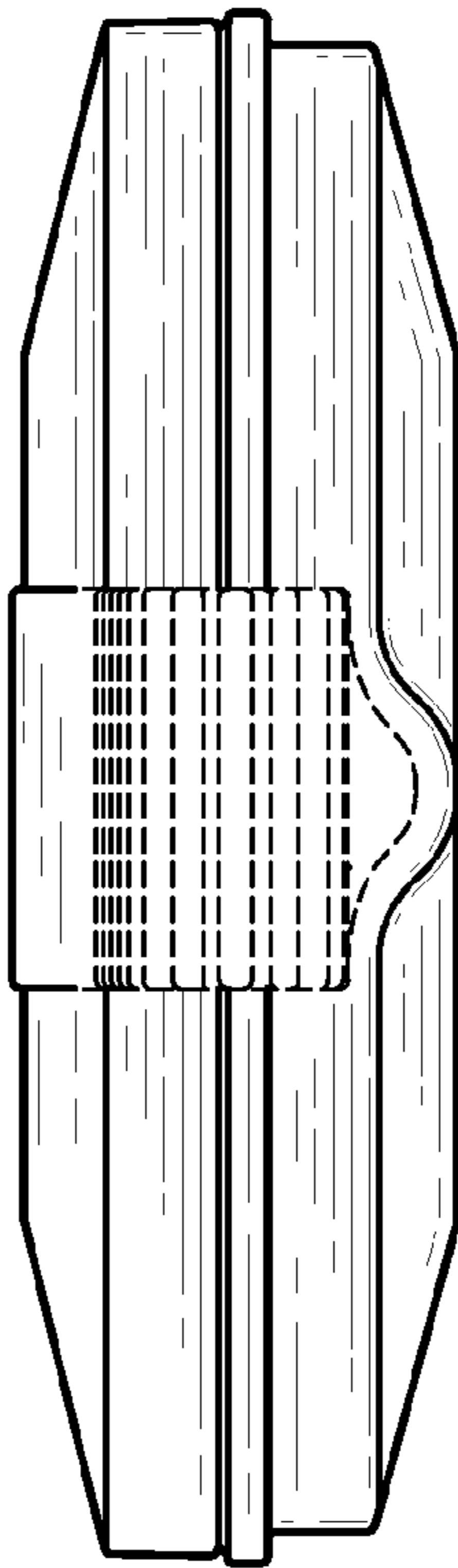




*Fig. 1*



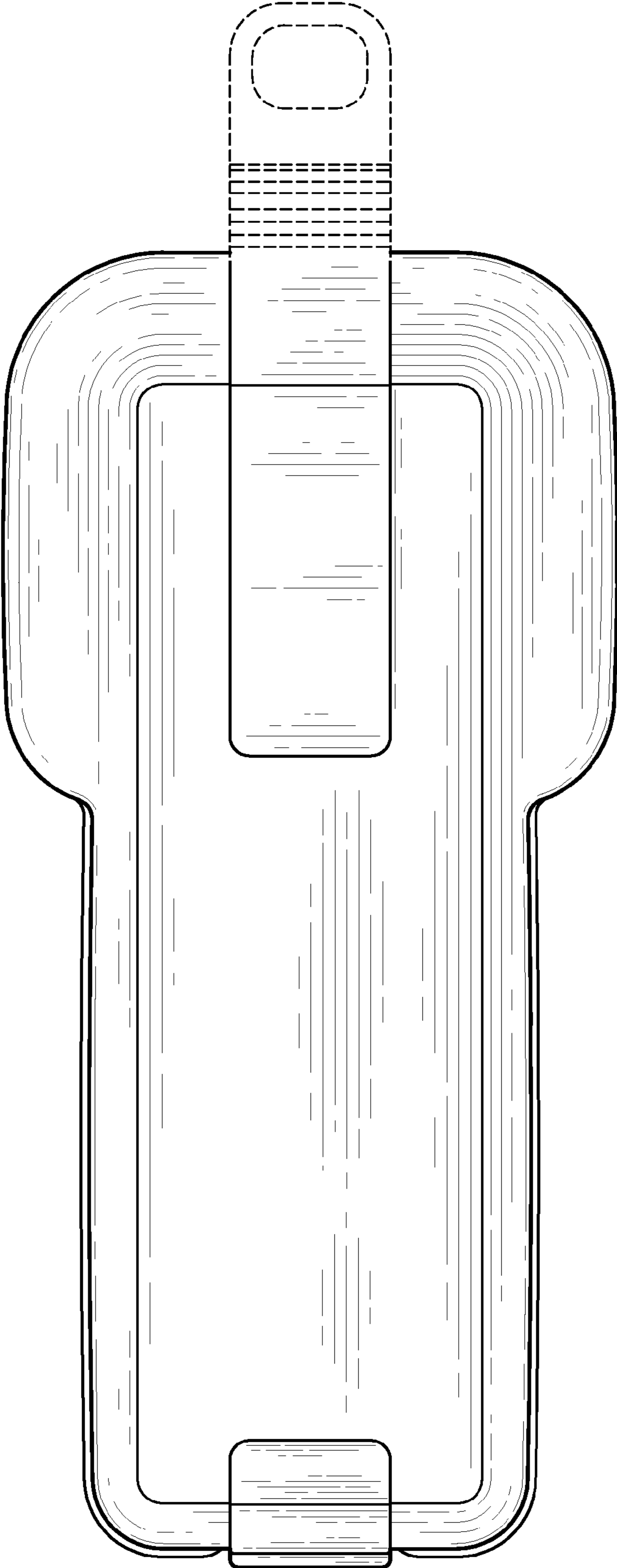
*Fig. 3*



*Fig. 2*

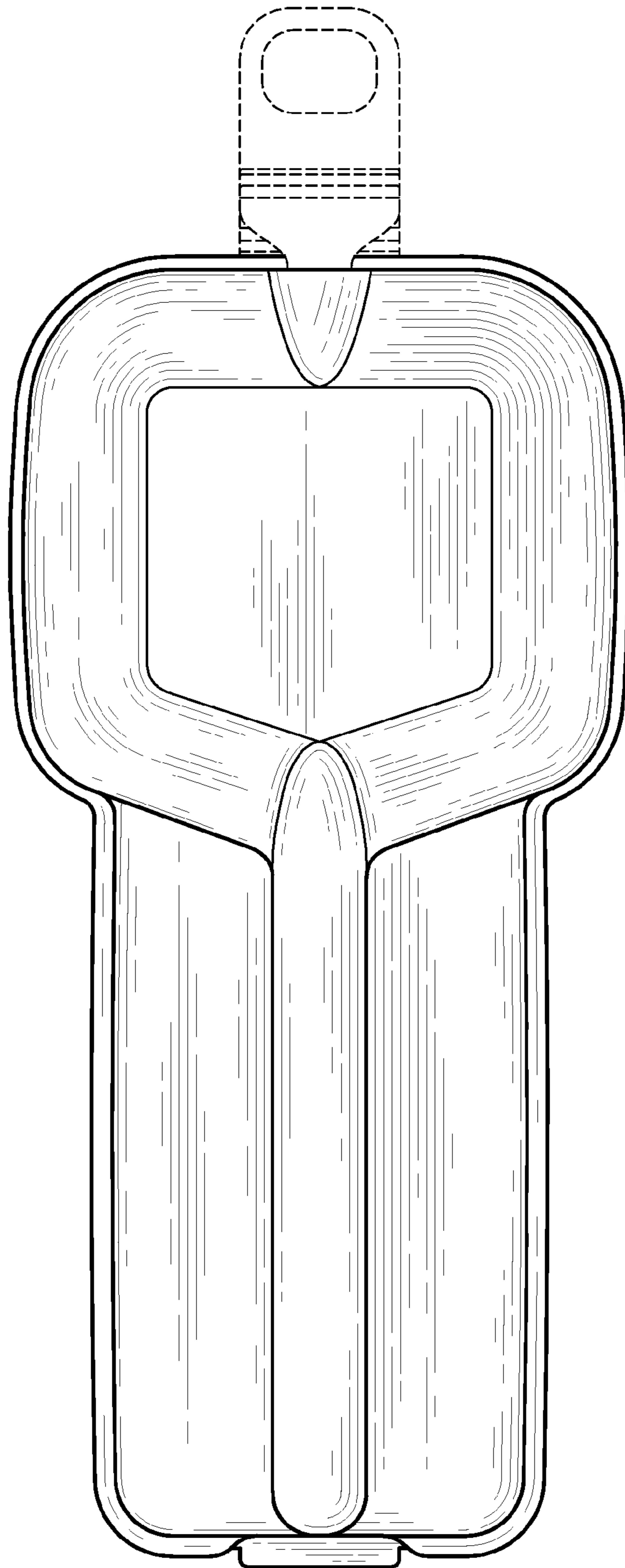


*Fig. 4*

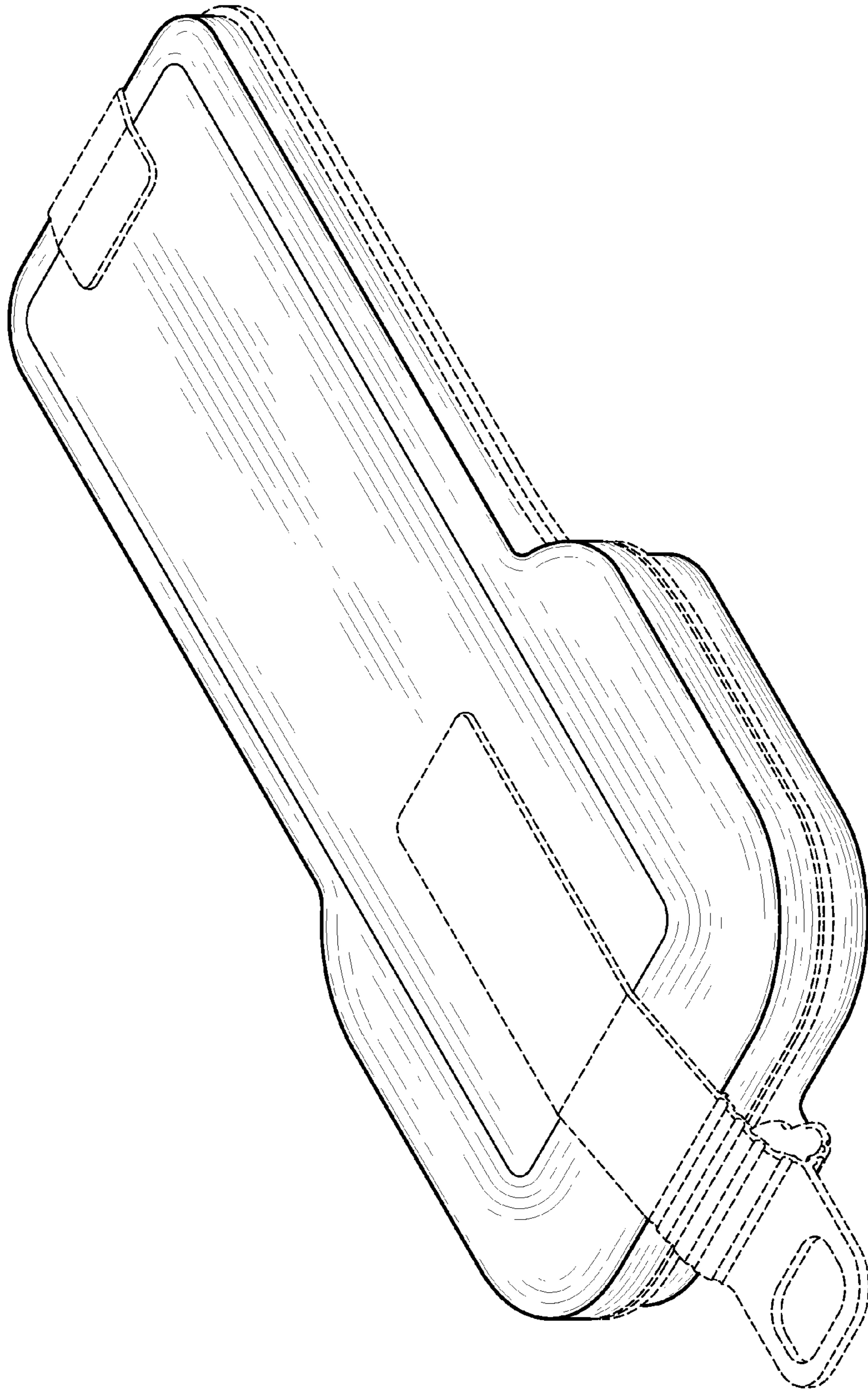


*Fig. 5*

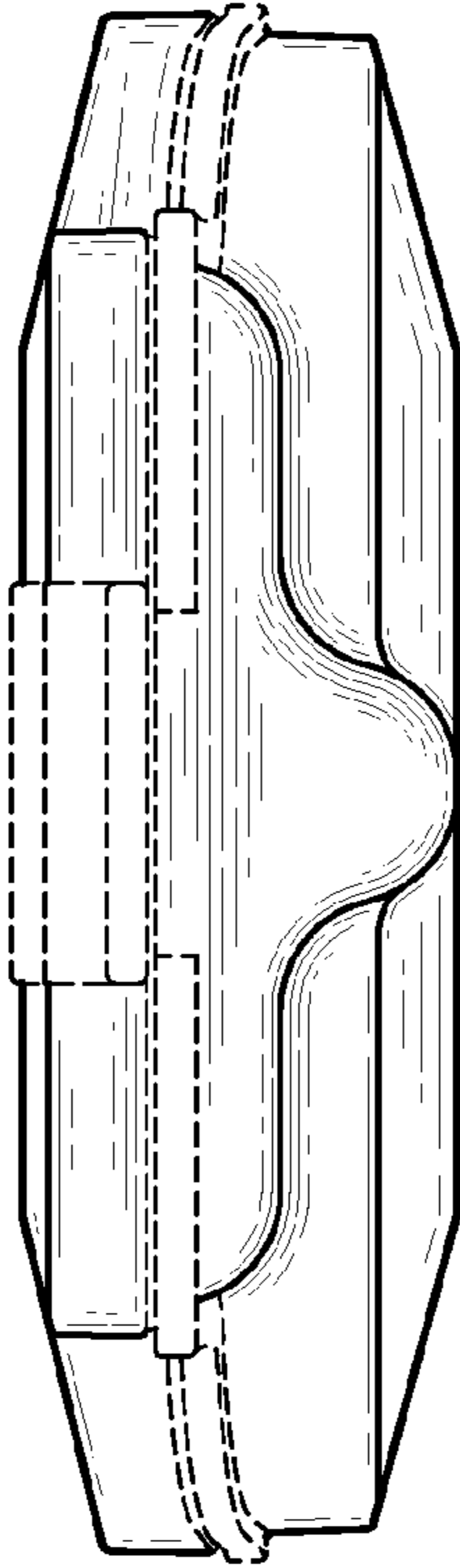




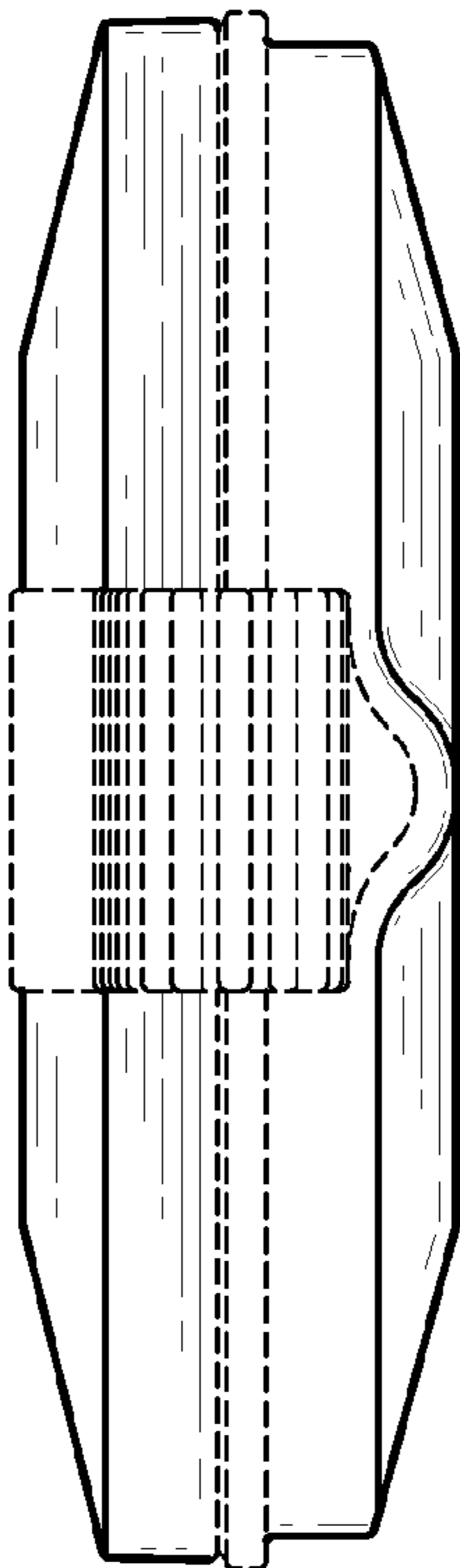
*Fig. 6*



*Fig. 7*



*Fig. 9*

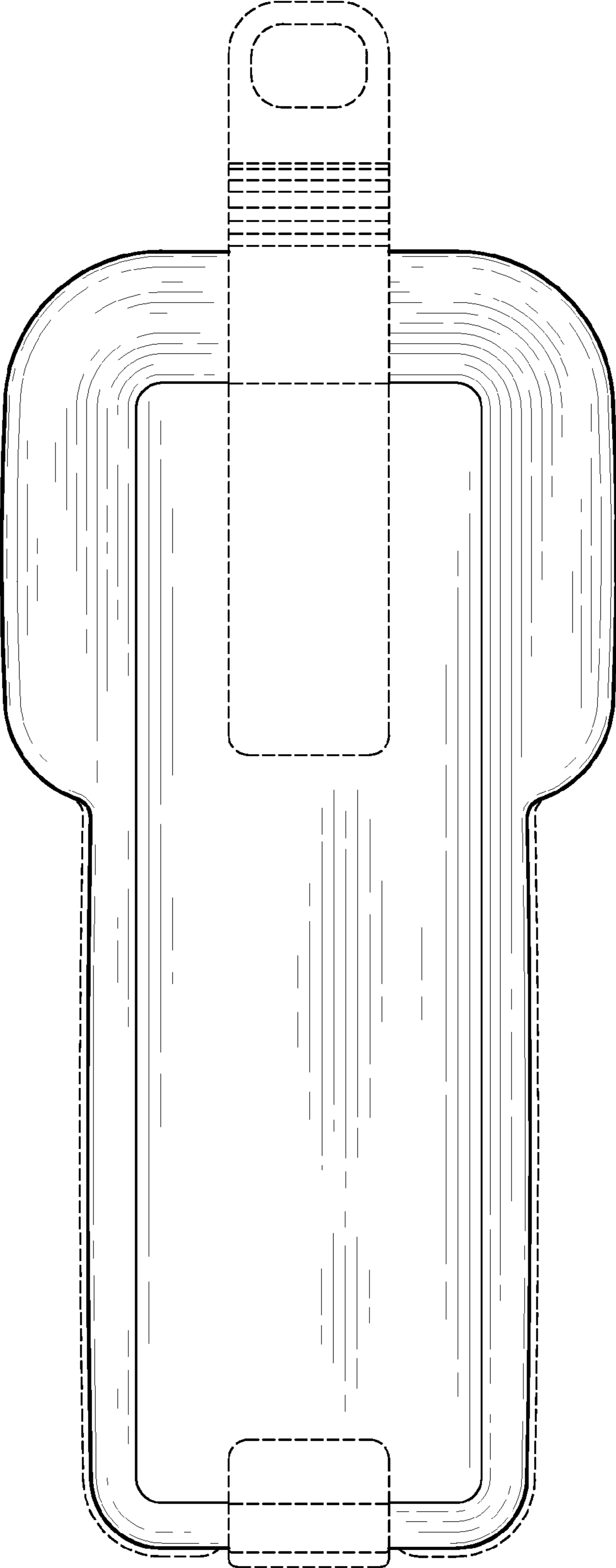


*Fig. 8*

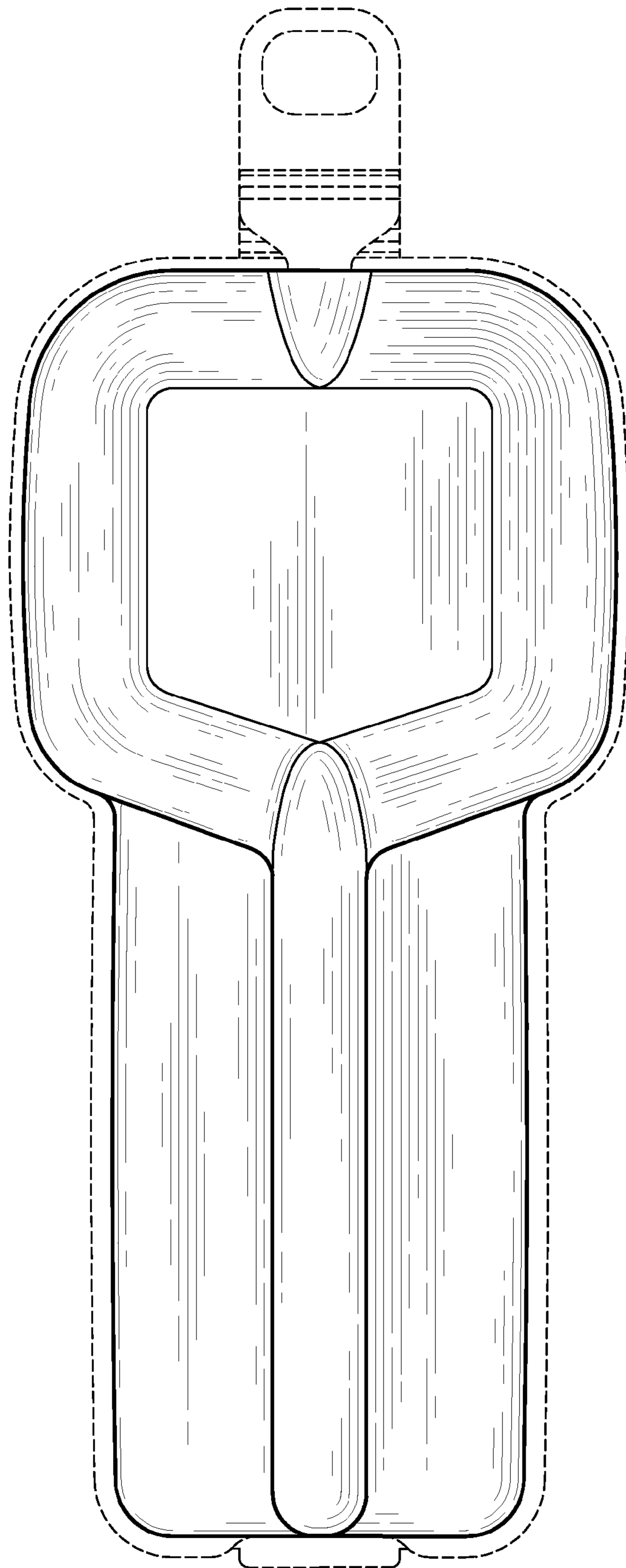




*Fig. 10*



*Fig. 11*



*Fig. 12*