



US00D582153S

(12) **United States Design Patent**
Gonzalez

(10) **Patent No.:** **US D582,153 S**
(45) **Date of Patent:** **** Dec. 9, 2008**

(54) **HANDBAG**

(75) Inventor: **Alvaro Gonzalez**, Florence (IT)

(73) Assignee: **J. Choo Limited**, London (GB)

(**) Term: **14 Years**

(21) Appl. No.: **29/294,714**

(22) Filed: **Jan. 23, 2008**

(51) **LOC (8) Cl.** **03-01**

(52) **U.S. Cl.** **D3/242**

(58) **Field of Classification Search** D3/232-234,
D3/240-246; 150/100, 103-104, 107-110,
150/114, 118-119

See application file for complete search history.

(56) **References Cited**

U.S. PATENT DOCUMENTS

D97,238 S *	10/1935	Lobel	D2/612
D97,354 S *	10/1935	Lobel	D2/612
D134,737 S *	1/1943	Woolums	D3/245
D135,605 S *	5/1943	Kalisher	D3/245
D135,606 S *	5/1943	Kalisher	D3/245
D137,864 S	5/1944	Jolles		
D139,915 S *	1/1945	Rotkel	D3/245
D142,482 S *	10/1945	Kaphan	D3/245

OTHER PUBLICATIONS

Cecile Mop, J. Choo Limited, undated photograph, first disclosed Jul. 12, 2007.

Cloude, J. Choo Limited, undated photograph, first disclosed Jul. 12, 2007.

* cited by examiner

Primary Examiner—Holly H Baynham

(74) *Attorney, Agent, or Firm*—Fross Zelnick Lehrman & Zissu, P.C.; Lawrence E. Apolzon, Esq.

(57) **CLAIM**

The ornamental design for handbag, as shown and described.

DESCRIPTION

FIG. 1 is a front perspective view of a handbag showing my new design;

FIG. 2 is a front view of the handbag shown in FIG. 1;

FIG. 3 is a rear view of the handbag shown in FIG. 1;

FIG. 4 is a right side of the handbag shown in FIG. 1;

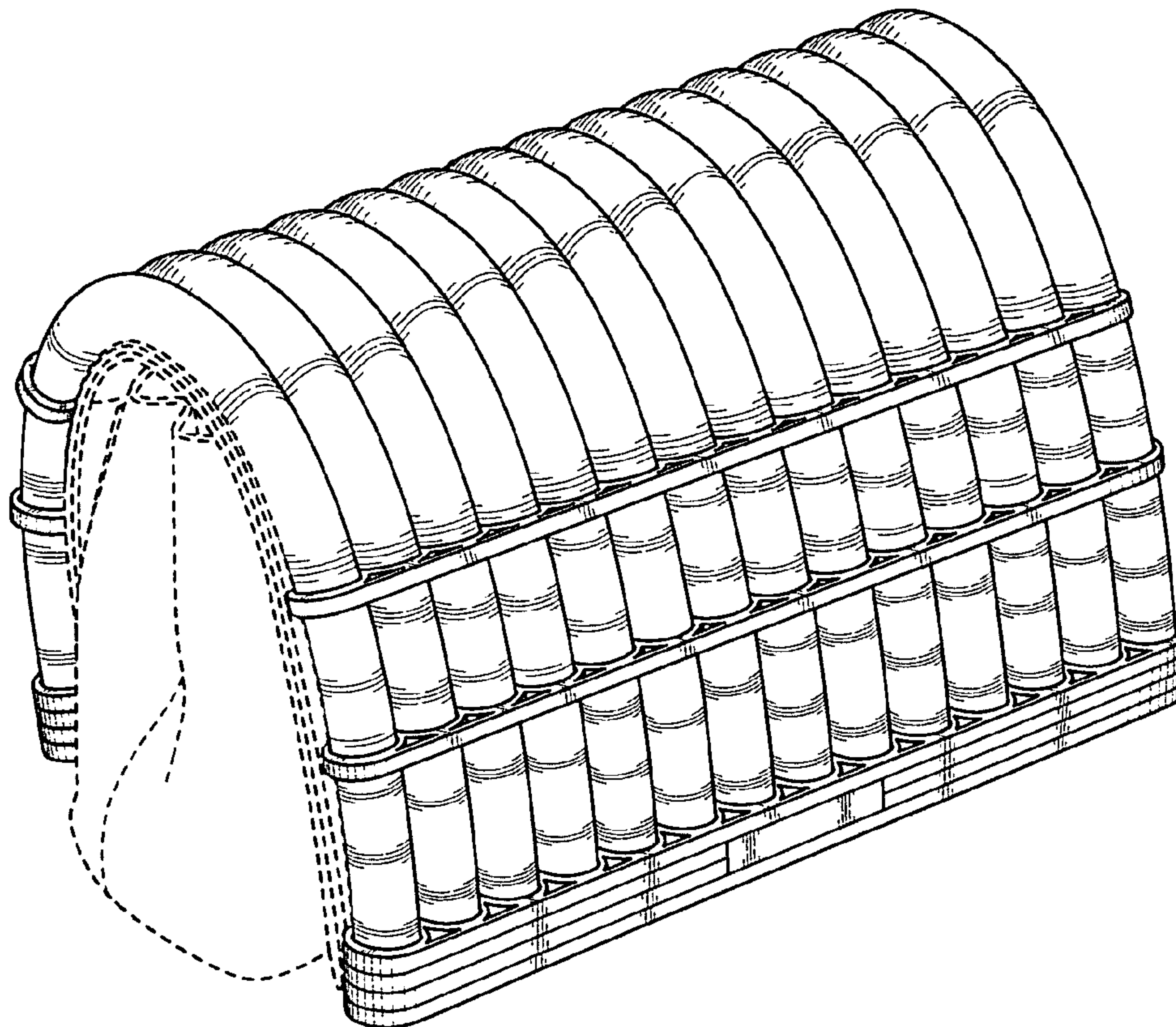
FIG. 5 is a left side view of the handbag shown in FIG. 1;

FIG. 6 is a top view of the handbag shown in FIG. 1; and,

FIG. 7 is a bottom view of the handbag shown in FIG. 1.

The broken line showing of the body of the bag is for illustrative purposes only and forms no part of the claimed design.

1 Claim, 6 Drawing Sheets



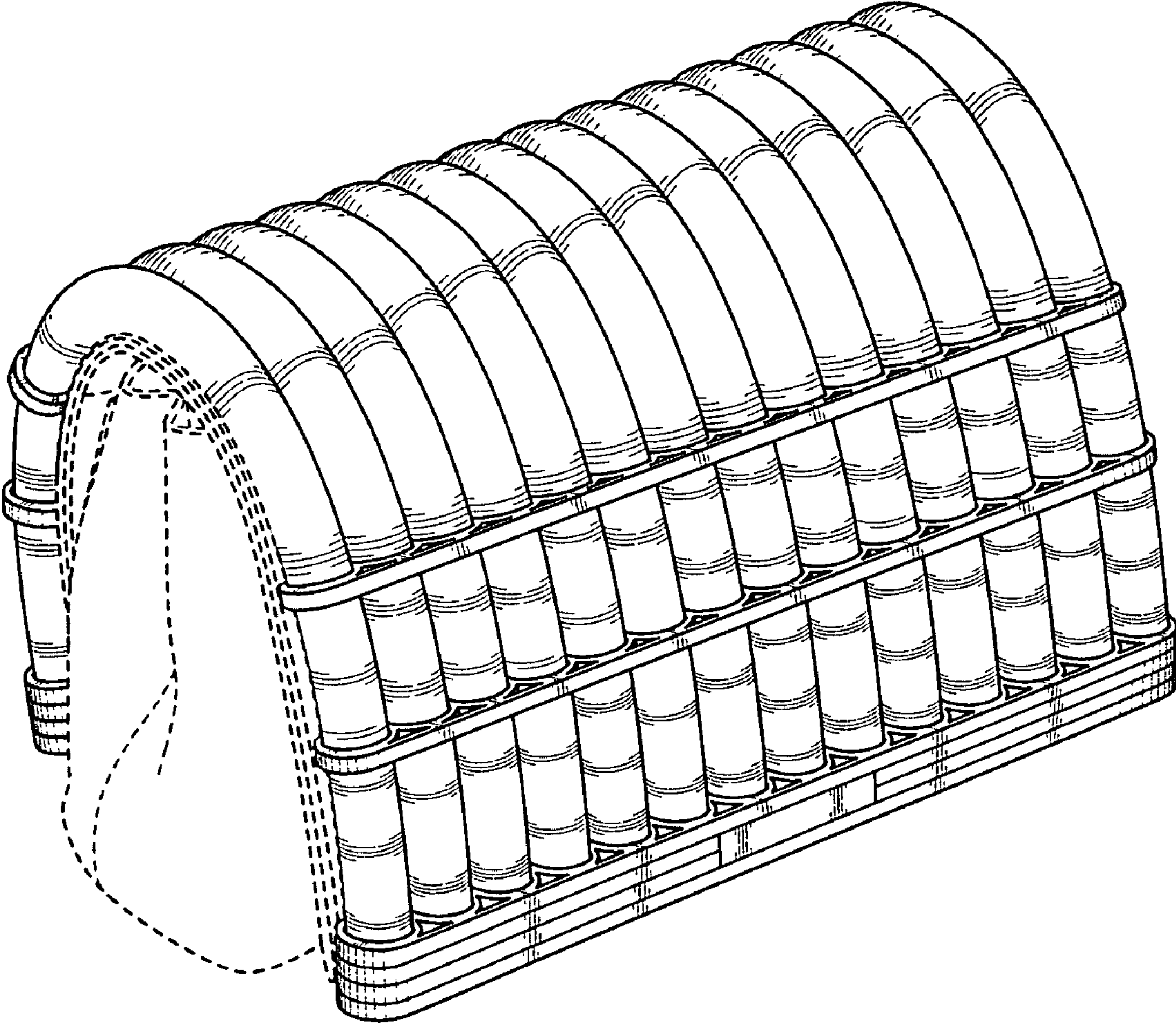


FIG. 1

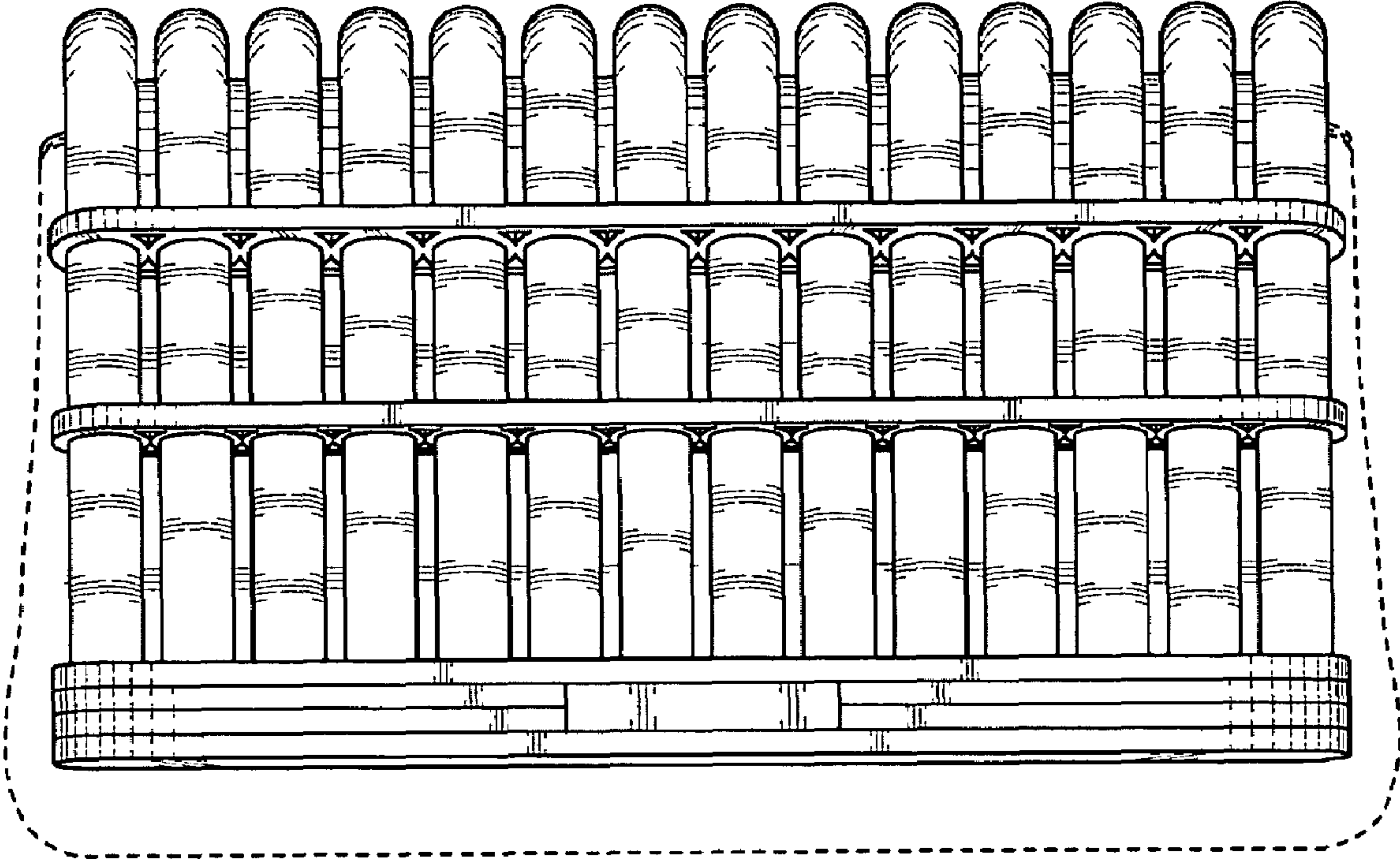


FIG. 2

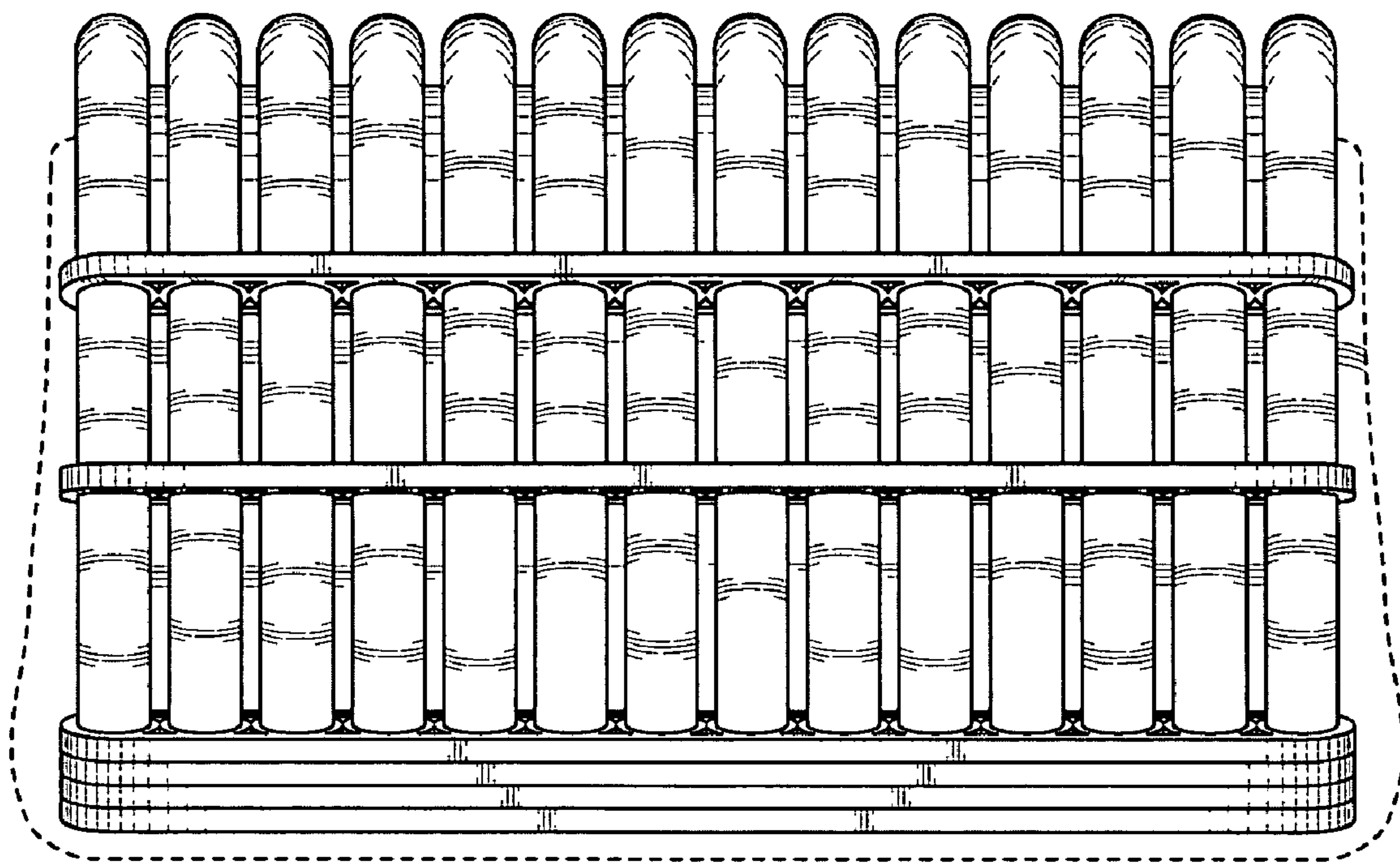


FIG. 3

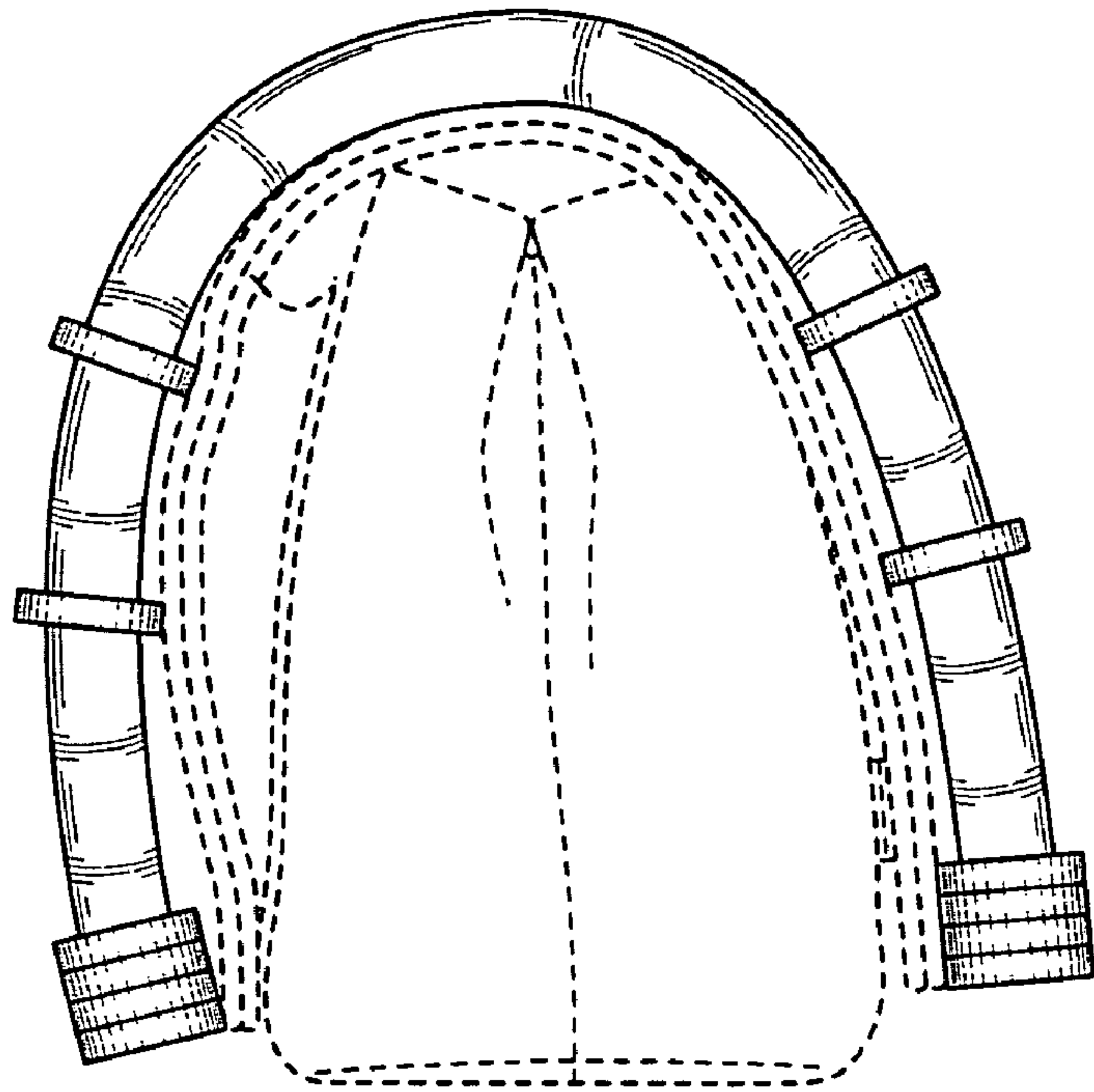


FIG. 4

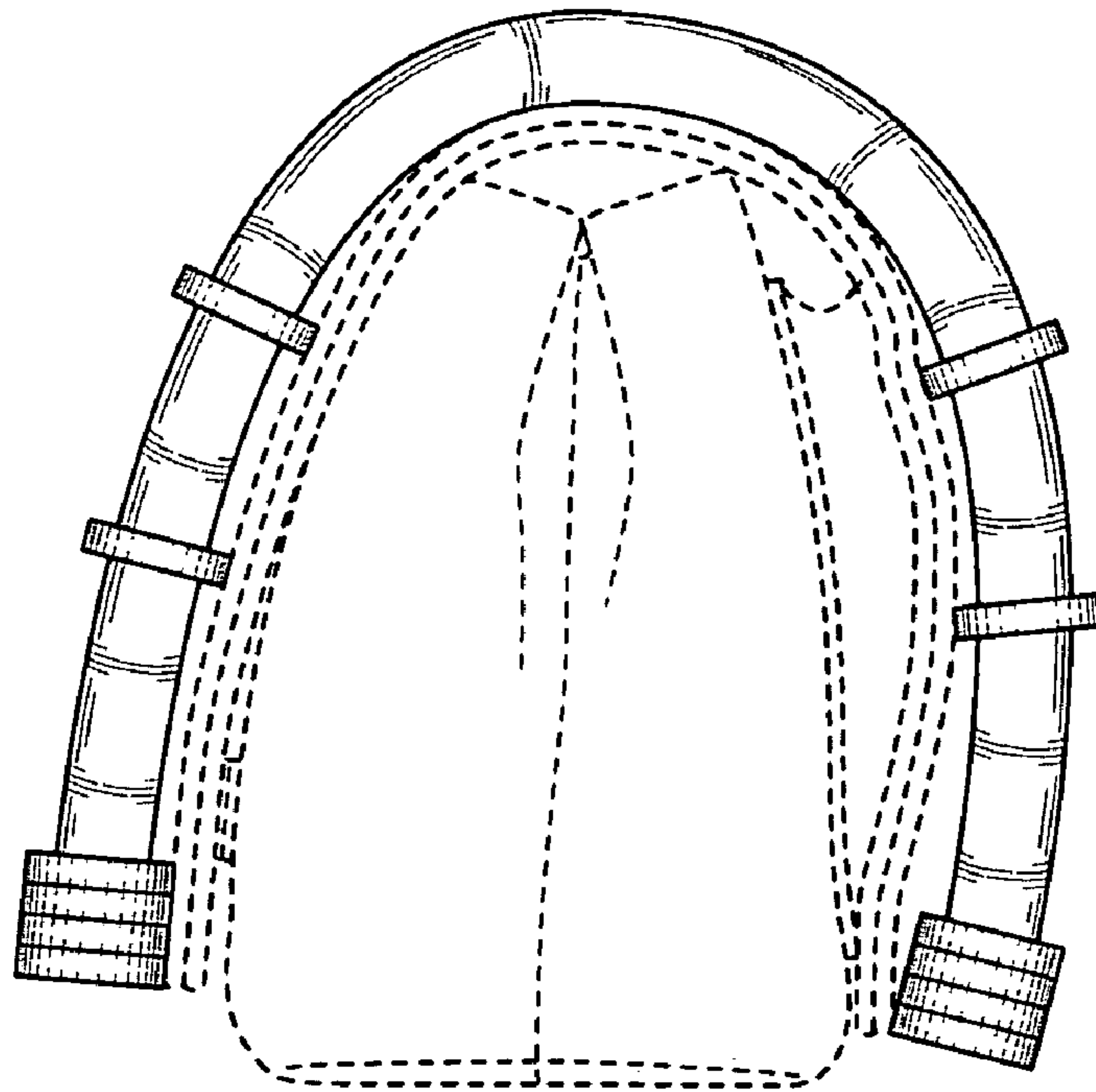


FIG. 5

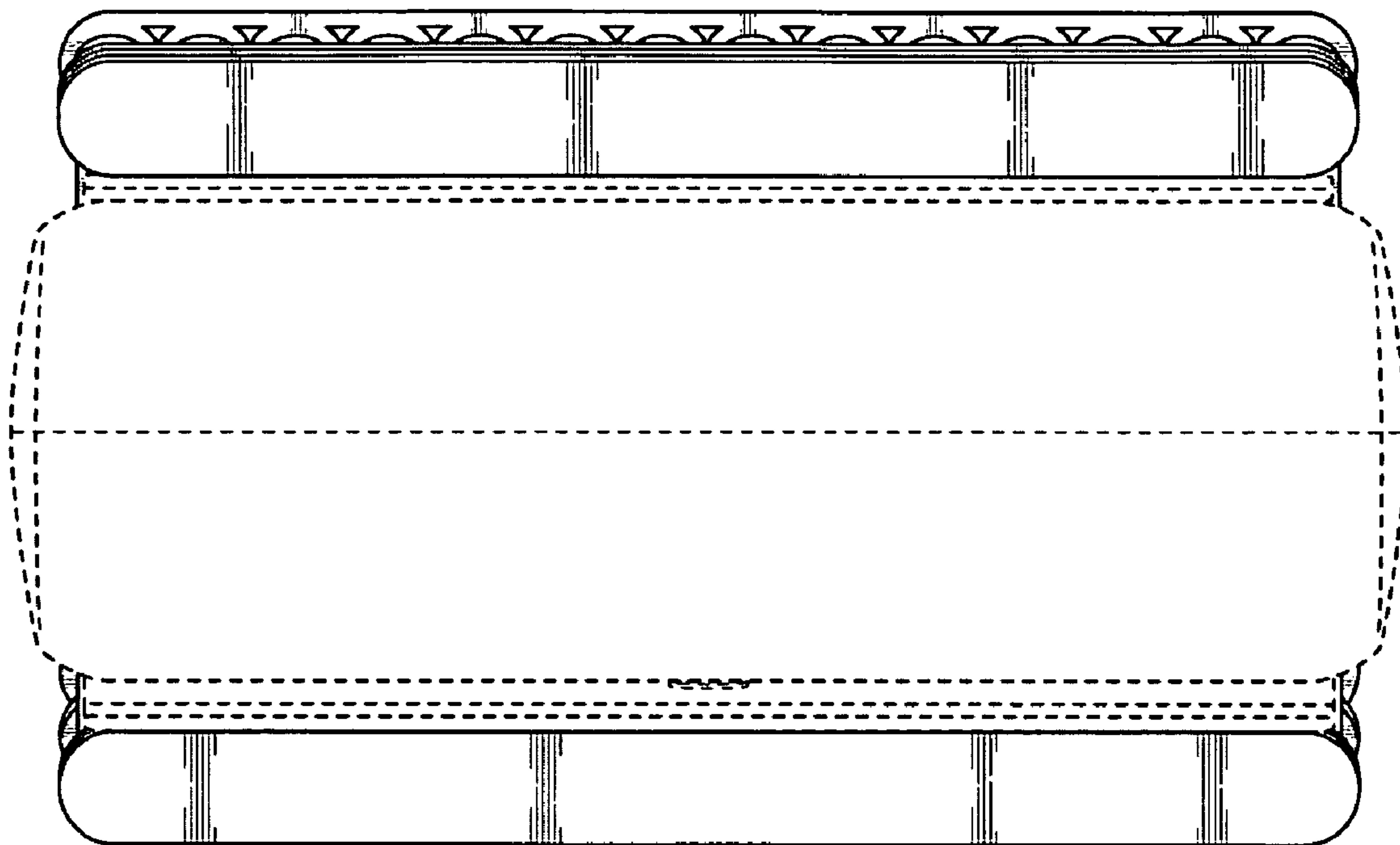


FIG. 6

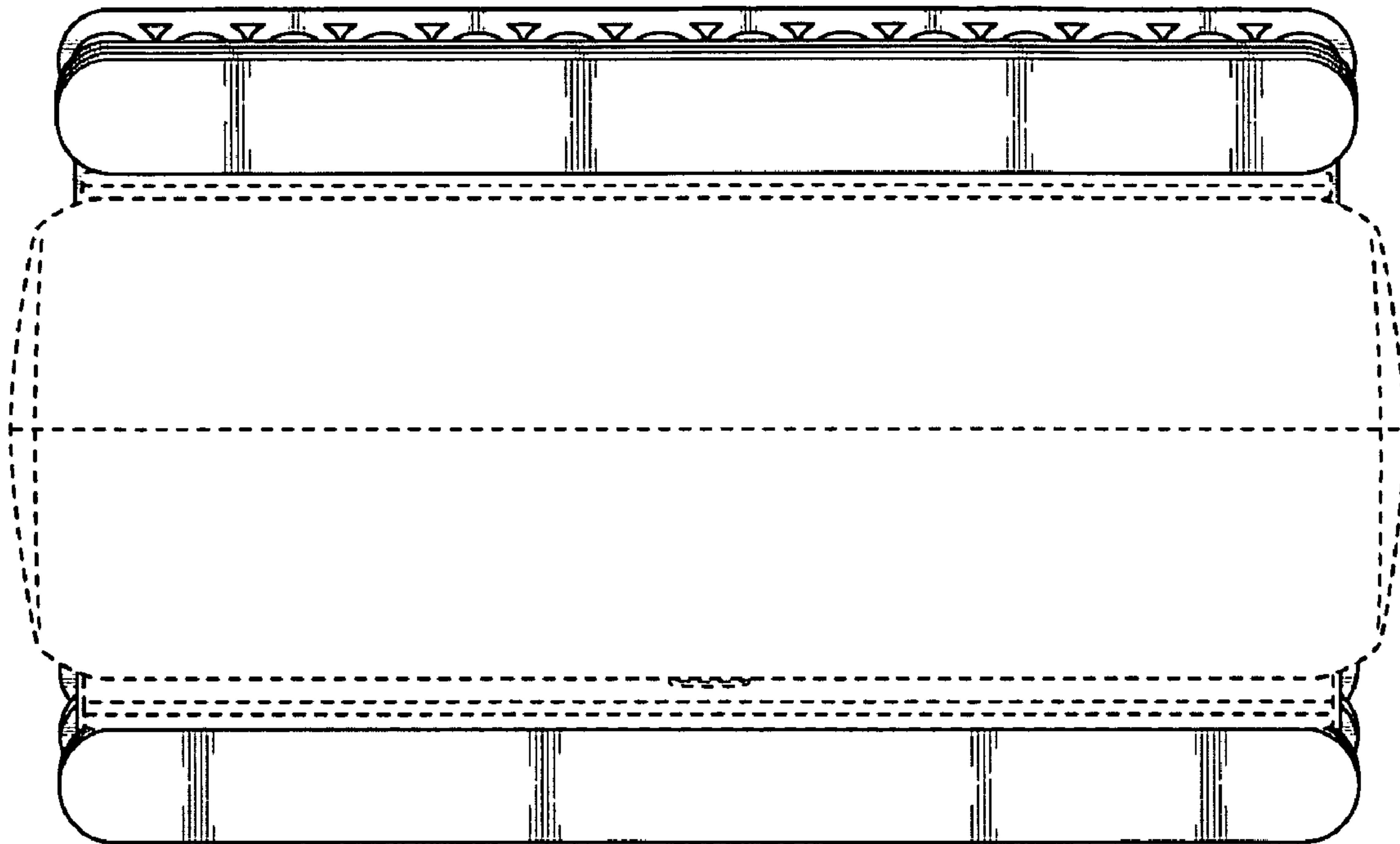


FIG. 7

UNITED STATES PATENT AND TRADEMARK OFFICE
CERTIFICATE OF CORRECTION

PATENT NO. : Des. 582,153 S
APPLICATION NO. : 29/294714
DATED : December 9, 2008
INVENTOR(S) : Alvaro Gonzalez

Page 1 of 1

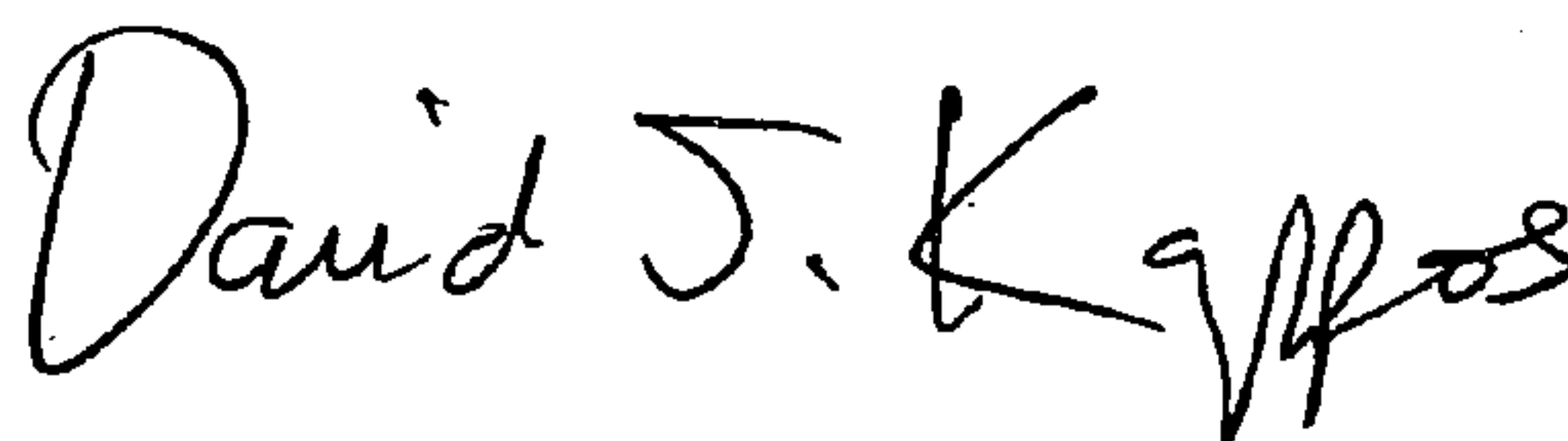
It is certified that error appears in the above-identified patent and that said Letters Patent is hereby corrected as shown below:

Title page, item (30) should read as follows: Foreign Application Priority Data

August 23, 2007 (EM)000779640-0003

Signed and Sealed this

First Day of December, 2009



David J. Kappos
Director of the United States Patent and Trademark Office