



US00D582145S

(12) **United States Design Patent**
Belley et al.

(10) **Patent No.:** **US D582,145 S**
(45) **Date of Patent:** **** Dec. 9, 2008**

(54) **FOOTWEAR UPPER**

(75) Inventors: **Manon Belley**, Laval (CA); **Annamaria Furlanetto**, Montebelluna (IT); **Cristian Ardissono**, Venegazzu del Montello (IT)

(73) Assignee: **Wolverine World Wide, Inc.**, Rockford, MI (US)

(**) Term: **14 Years**

(21) Appl. No.: **29/293,020**

(22) Filed: **Nov. 7, 2007**

(51) **LOC (8) Cl.** **02-99**

(52) **U.S. Cl.** **D2/971**

(58) **Field of Classification Search** D2/896,
D2/900, 919, 922, 923, 925-932, 943, 971;
36/1, 83, 45-49

See application file for complete search history.

(56) **References Cited**

U.S. PATENT DOCUMENTS

D100,273 S *	7/1936	Kozak	D2/929
D100,277 S *	7/1936	McGee	D2/929
D100,673 S *	8/1936	Samuels	D2/929
D527,513 S *	9/2006	Della Valle	D2/919
D566,958 S *	4/2008	Andersen et al.	D2/971

OTHER PUBLICATIONS

Merrell Spring 2008 Catalog, pp. 97 and 94.
Hush Puppies Women's Spring 2008 Catalog, pp. 6 and 11.

* cited by examiner

Primary Examiner—Dominic Simone

(74) *Attorney, Agent, or Firm*—Warner Norcross & Judd LLP

(57) **CLAIM**

The ornamental design for footwear upper, as shown and described.

DESCRIPTION

FIG. 1 is a perspective view of the footwear upper embodying the new design;

FIG. 2 is a top view thereof;

FIG. 3 is a right side view thereof;

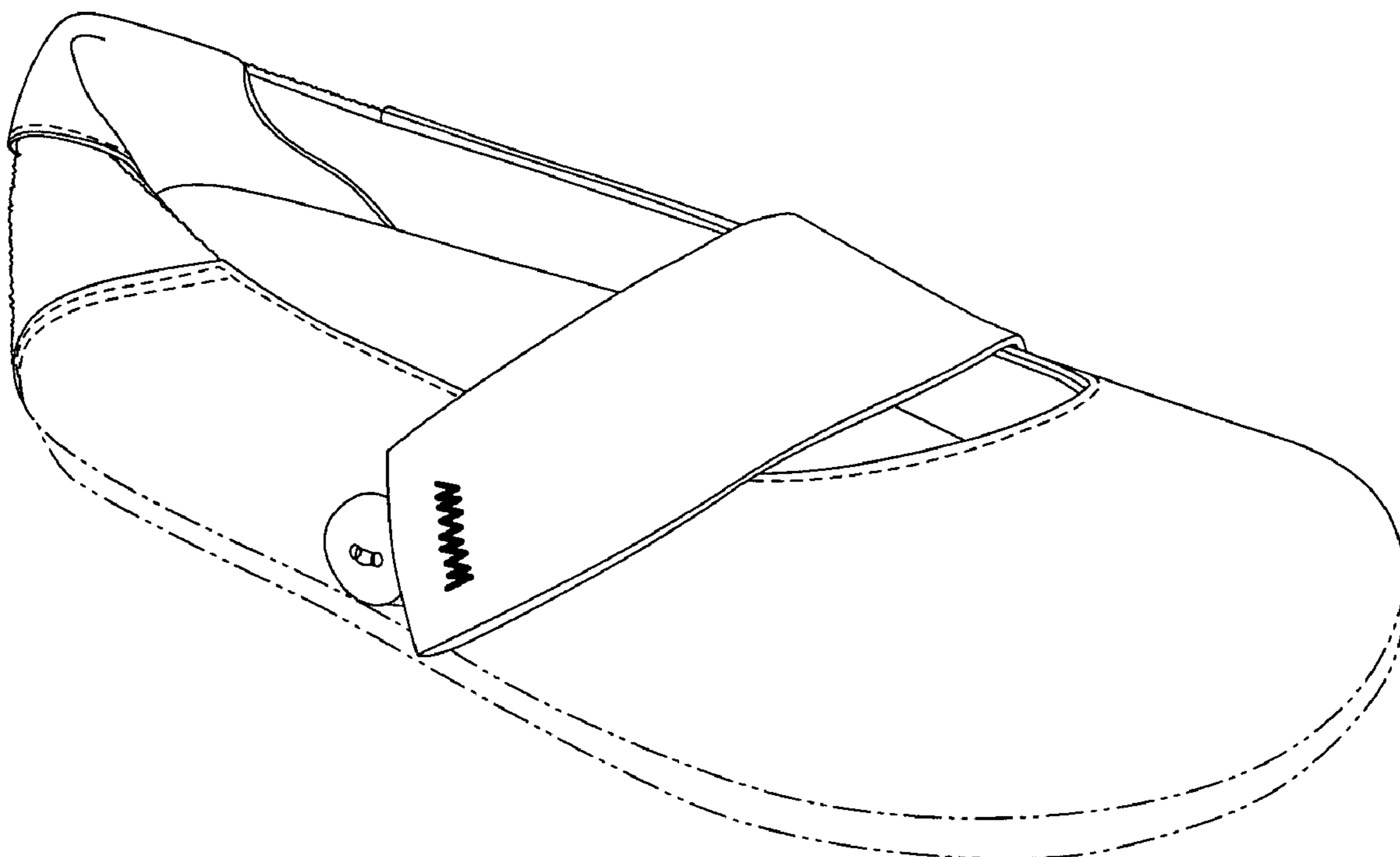
FIG. 4 is a left side view thereof;

FIG. 5 is a front view thereof; and,

FIG. 6 is a rear view thereof.

FIGS. 1-6 show features of an article of footwear in phantom lines. These features are shown for environmental purposes and do not form any part of the claimed design. Further, the phantom lines immediately adjacent the solid-line portions of the design form the boundary of the design, with the phantom lines forming no part of the claimed design.

1 Claim, 4 Drawing Sheets



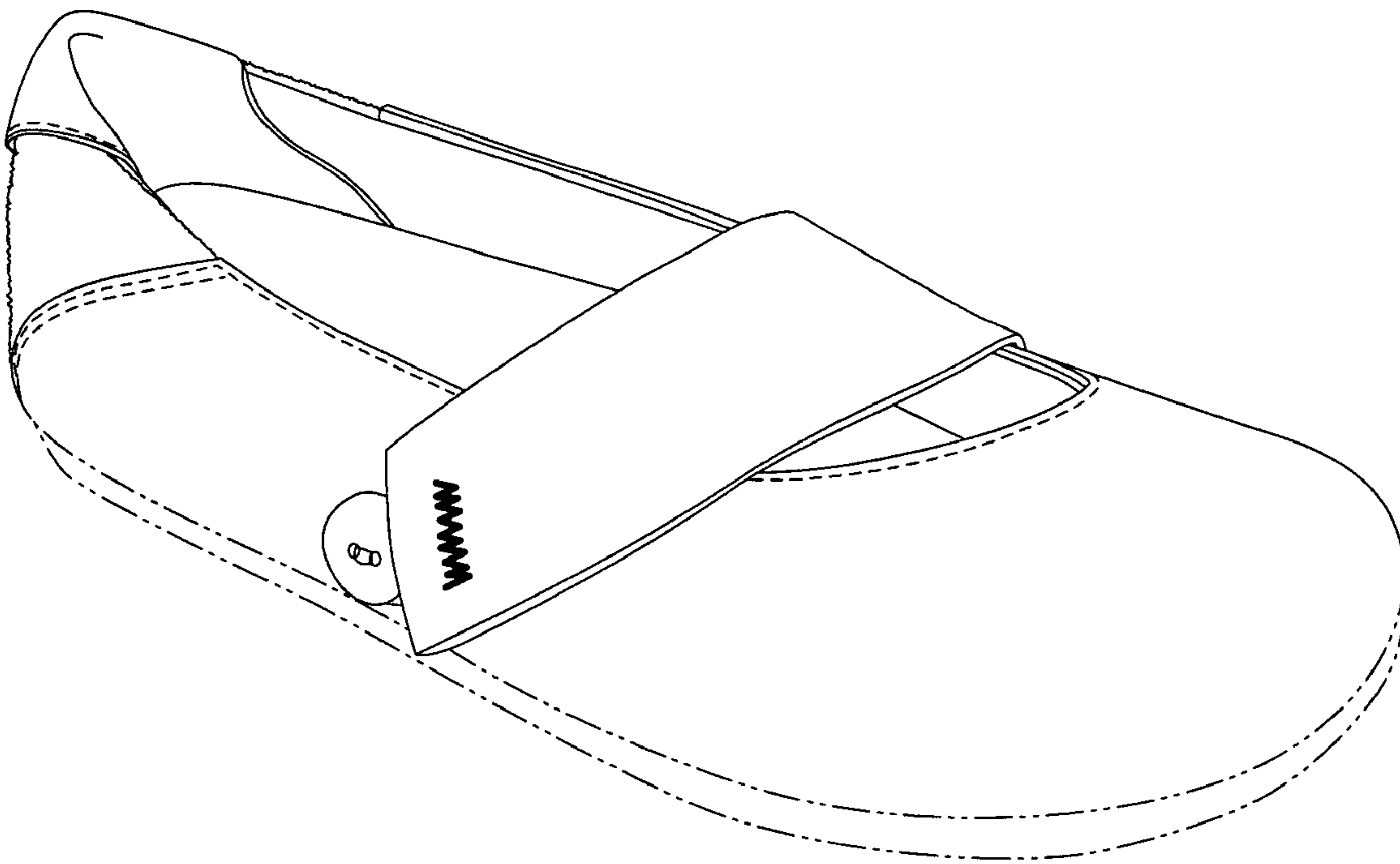


Fig. 1

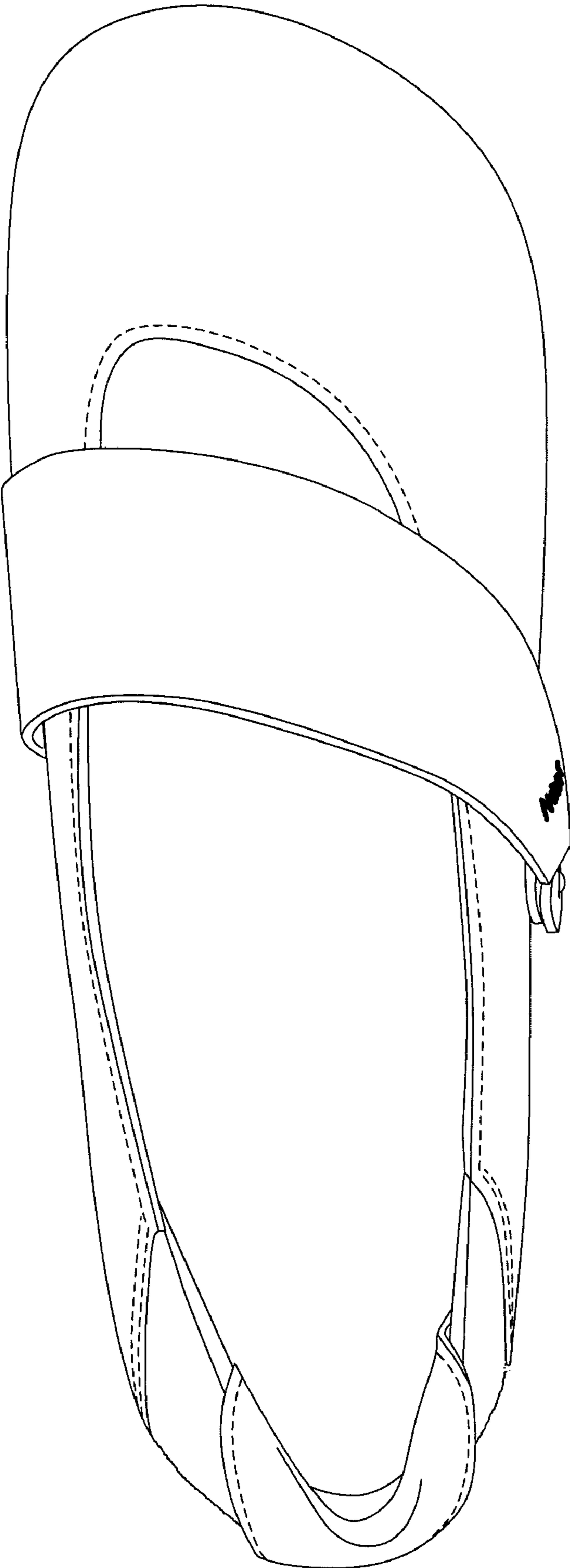


Fig. 2

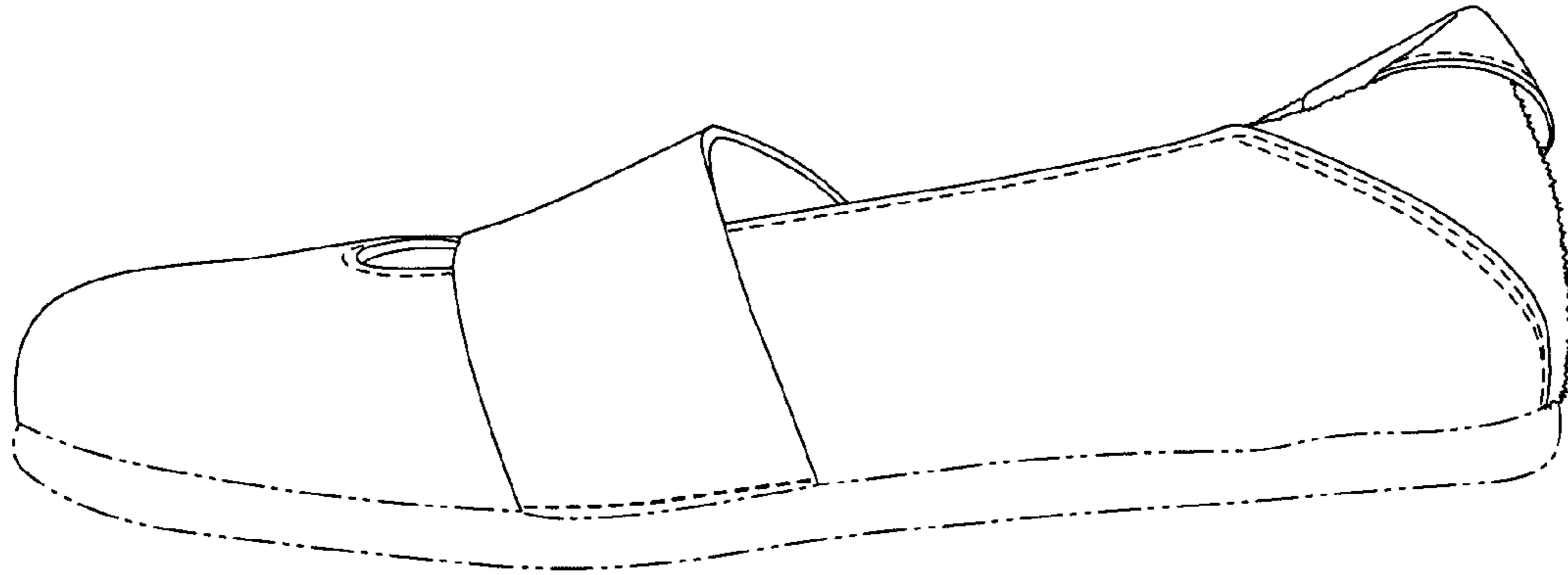


Fig. 3

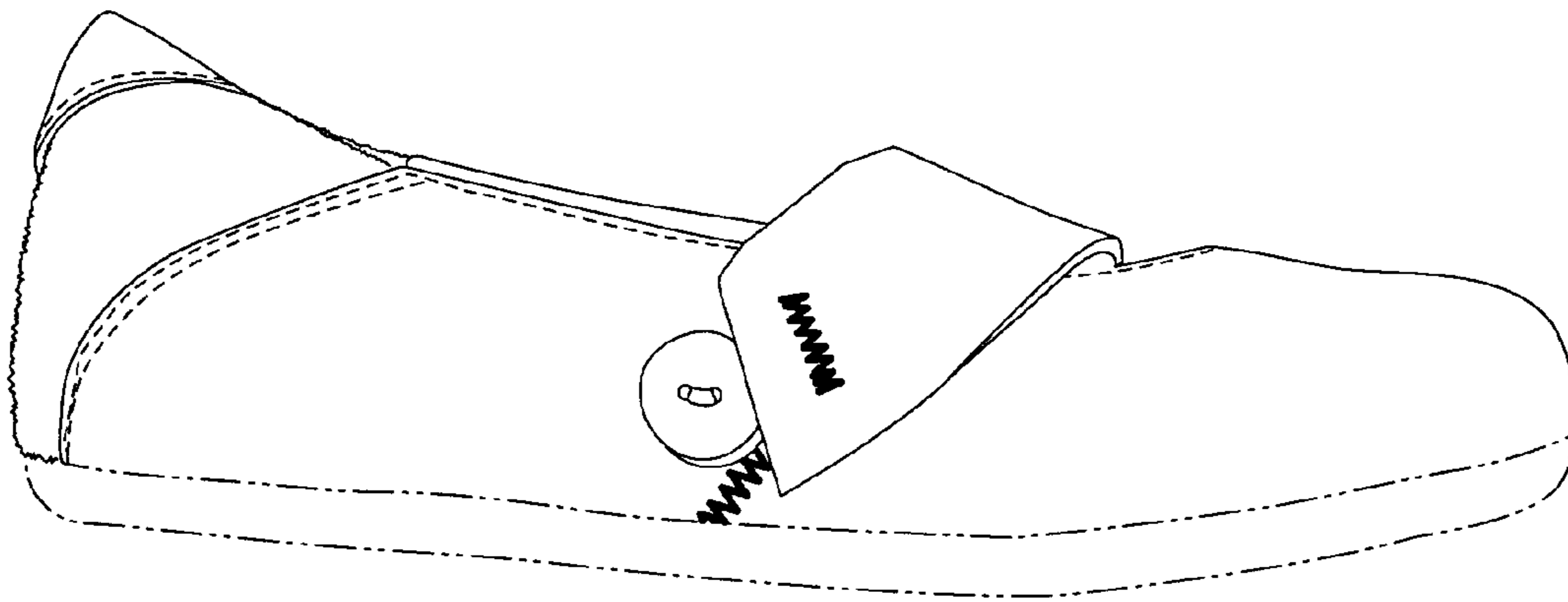


Fig. 4

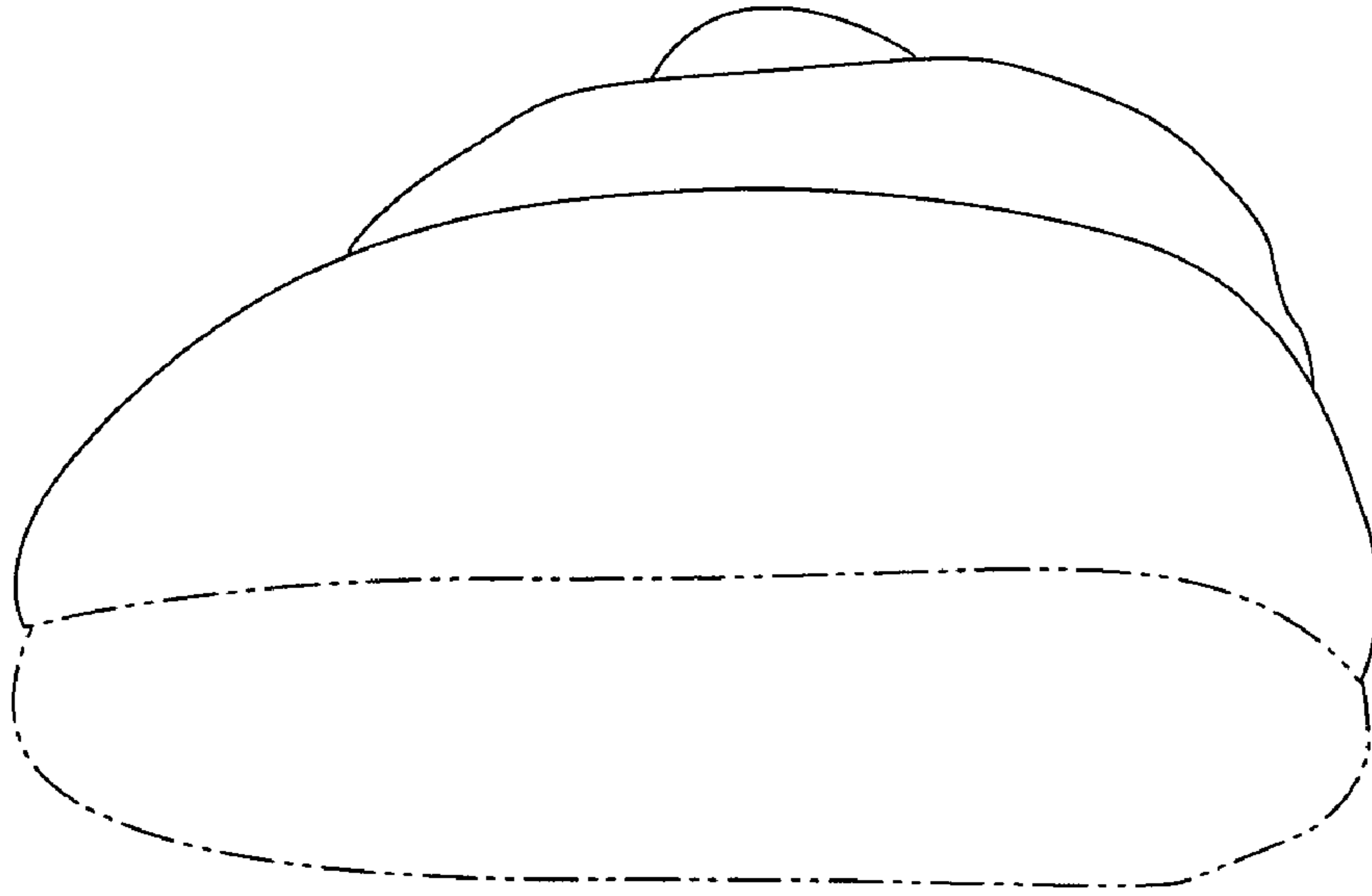


Fig. 5

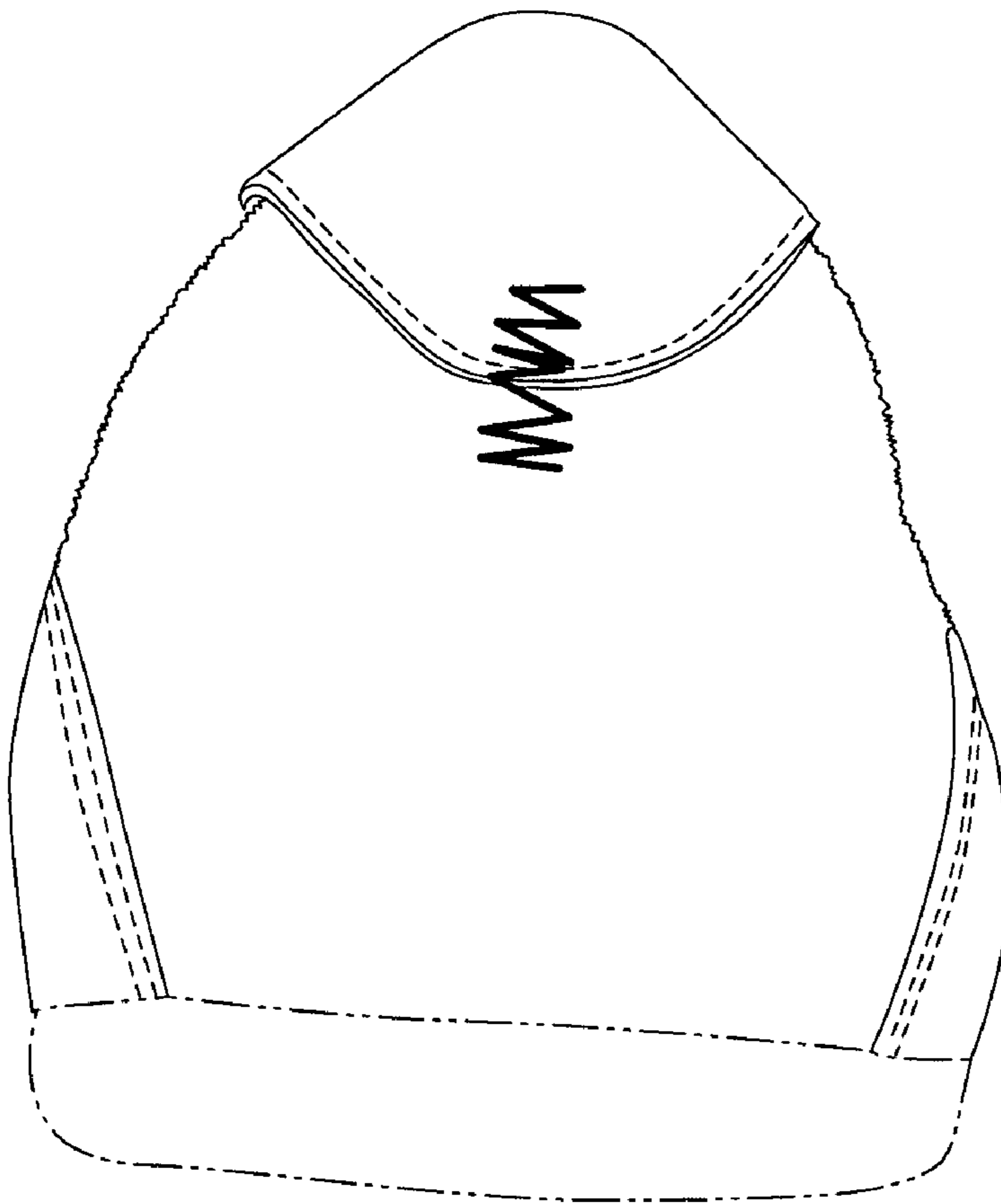


Fig. 6