



US00D582138S

(12) **United States Design Patent**
Claveria

(10) **Patent No.:** **US D582,138 S**

(45) **Date of Patent:** **** Dec. 9, 2008**

(54) **SANDAL**

(75) Inventor: **Ric Y. Claveria**, Loma Linda, CA (US)

(73) Assignee: **Kany Footwear Corp.**, City of Industry, CA (US)

(**) Term: **14 Years**

(21) Appl. No.: **29/303,319**

(22) Filed: **Feb. 6, 2008**

(51) **LOC (8) Cl.** **02-04**

(52) **U.S. Cl.** **D2/927; D2/918; D2/968**

(58) **Field of Classification Search** D2/896,
D2/916-918, 925, 926, 929-931, 939, 946,
D2/947, 950, 951, 961, 964, 965, 968; 36/83,
36/84, 106, 3 A, 7.5, 11.5, 25 R
See application file for complete search history.

(56) **References Cited**

U.S. PATENT DOCUMENTS

D112,601 S *	12/1938	Delman	D2/928
D114,511 S *	4/1939	Renaldo	D2/950
2,343,701 A *	3/1944	Pickens	36/11.5
D216,662 S *	3/1970	Barbaresi	D2/965
D262,750 S *	1/1982	Melzi et al.	D2/918
D265,690 S *	8/1982	Famolare, Jr.	D2/950
D459,066 S *	6/2002	Merceron	D2/960
D469,948 S *	2/2003	Lin	D2/954

D485,050 S *	1/2004	Lin	D2/947
D539,015 S *	3/2007	McClaskie	D2/960
D542,514 S *	5/2007	Amado et al.	D2/946
D568,592 S *	5/2008	Choi	D2/927

* cited by examiner

Primary Examiner—Stella M. Reid

Assistant Examiner—Keli L Acker

(74) *Attorney, Agent, or Firm*—Patent Law Group LLP;
David C. Hsia

(57) **CLAIM**

The ornamental design for a sandal, substantially as shown and described.

DESCRIPTION

FIG. 1 is a left front perspective view of the sandal in accordance with the design.

FIG. 2 is a top plan view thereof.

FIG. 3 is a right side elevation view thereof, the left side elevation view being a mirror image thereto;

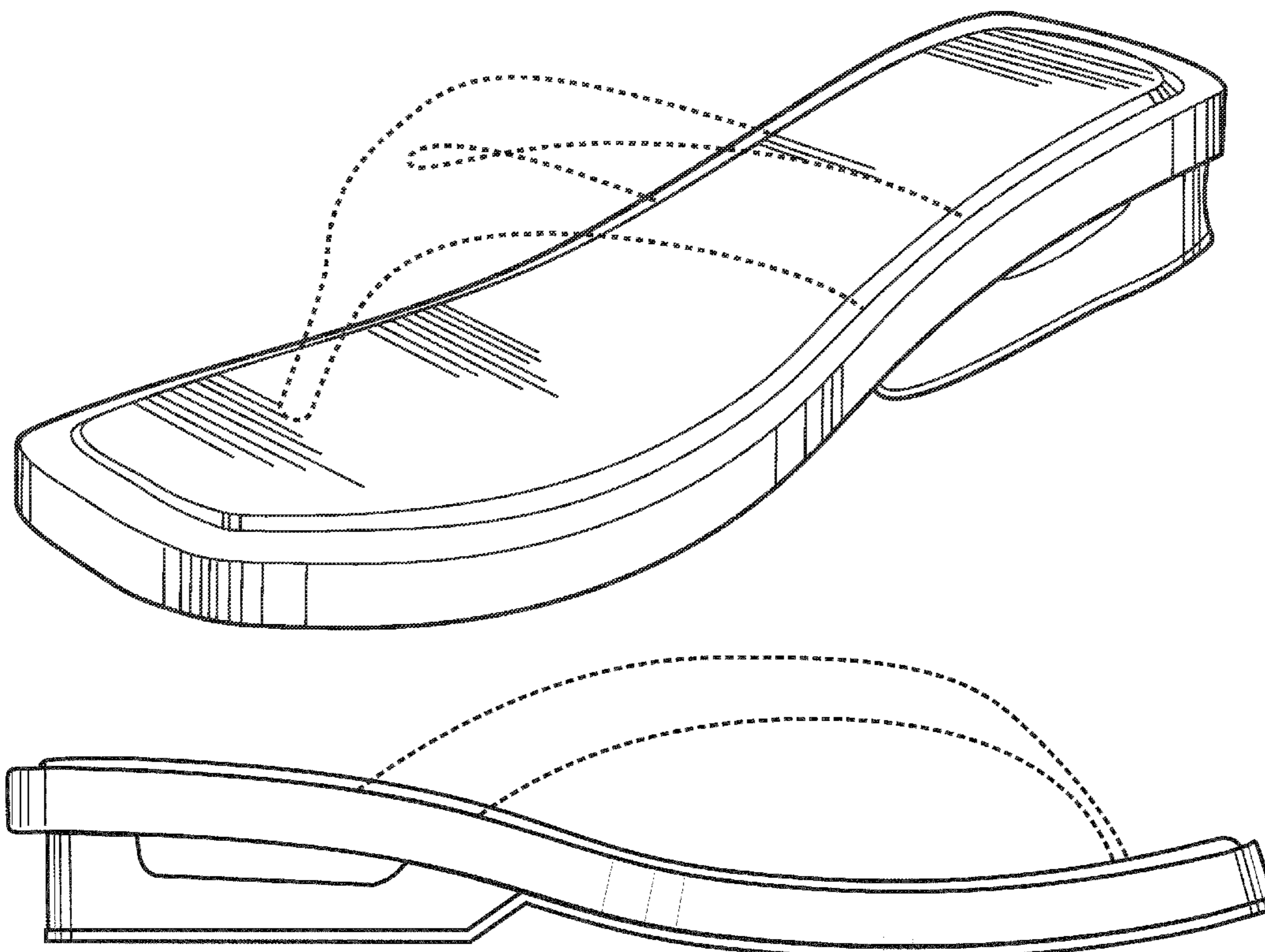
FIG. 4 is a front elevation view thereof.

FIG. 5 is a rear elevation view thereof; and,

FIG. 6 is a left bottom perspective view thereof.

The broken lines showing environment structure are for illustrative purposes and form no part of the claimed design.

1 Claim, 5 Drawing Sheets



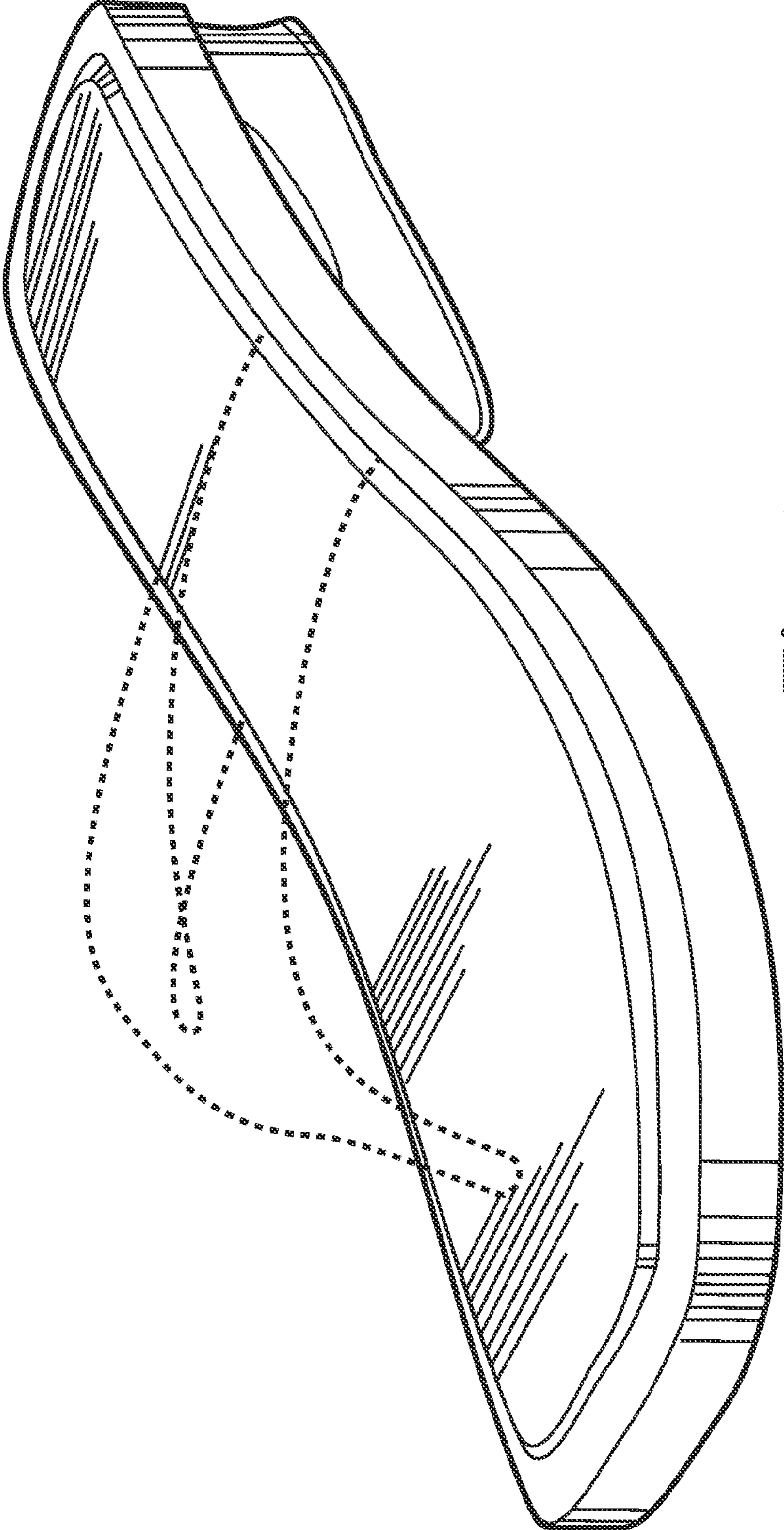


Fig. 1

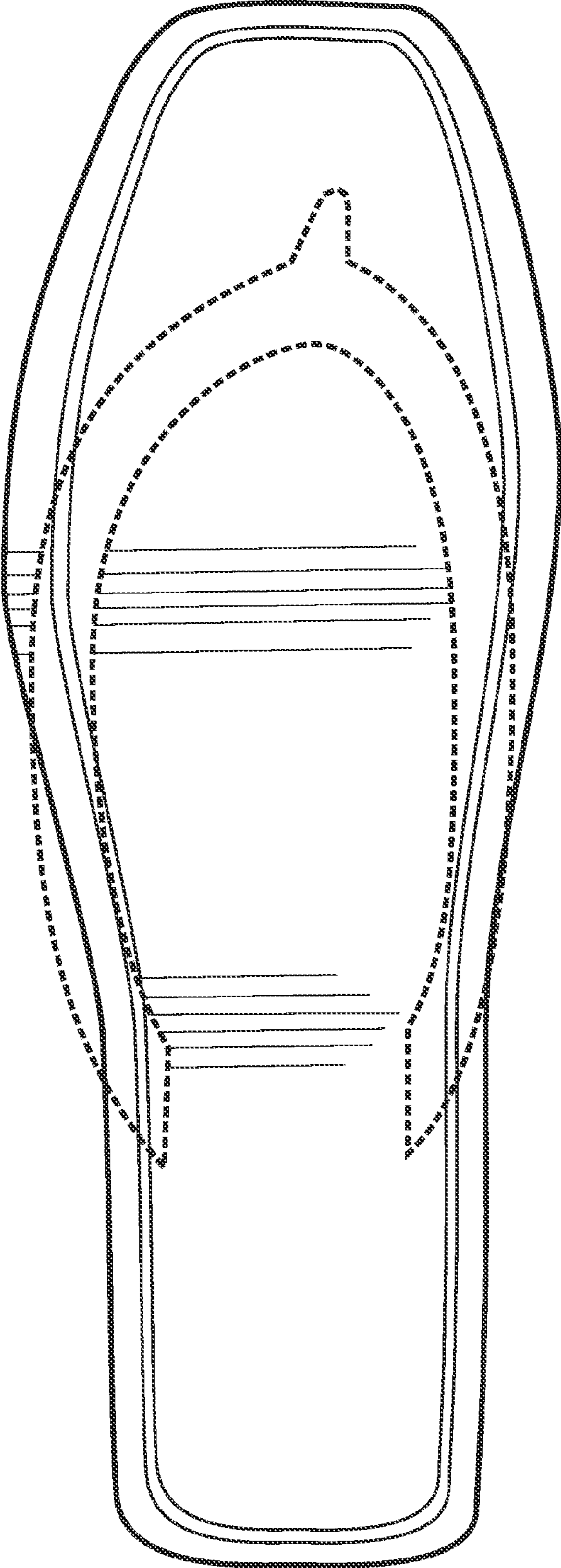


Fig. 2

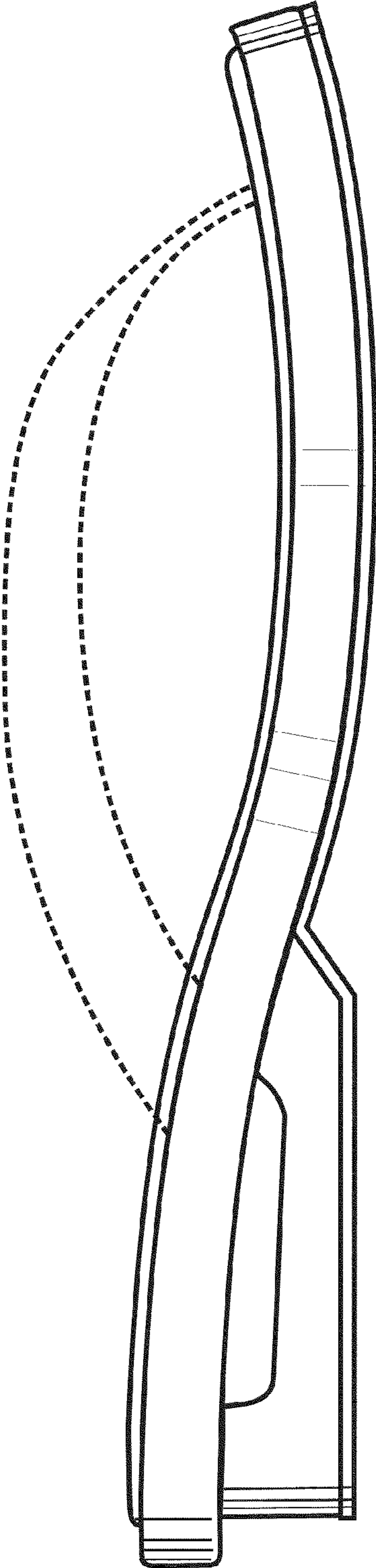


Fig. 3

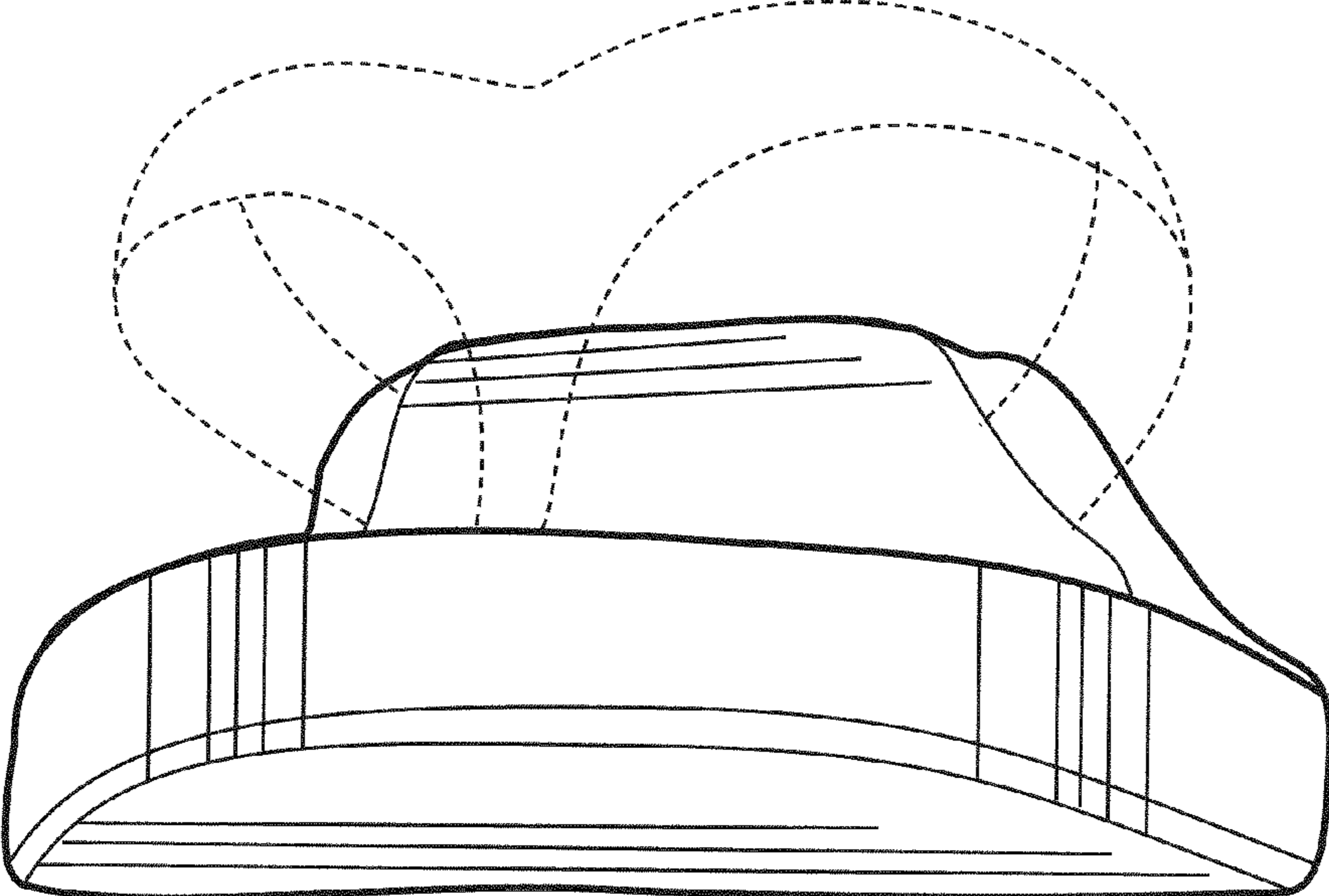


Fig. 4

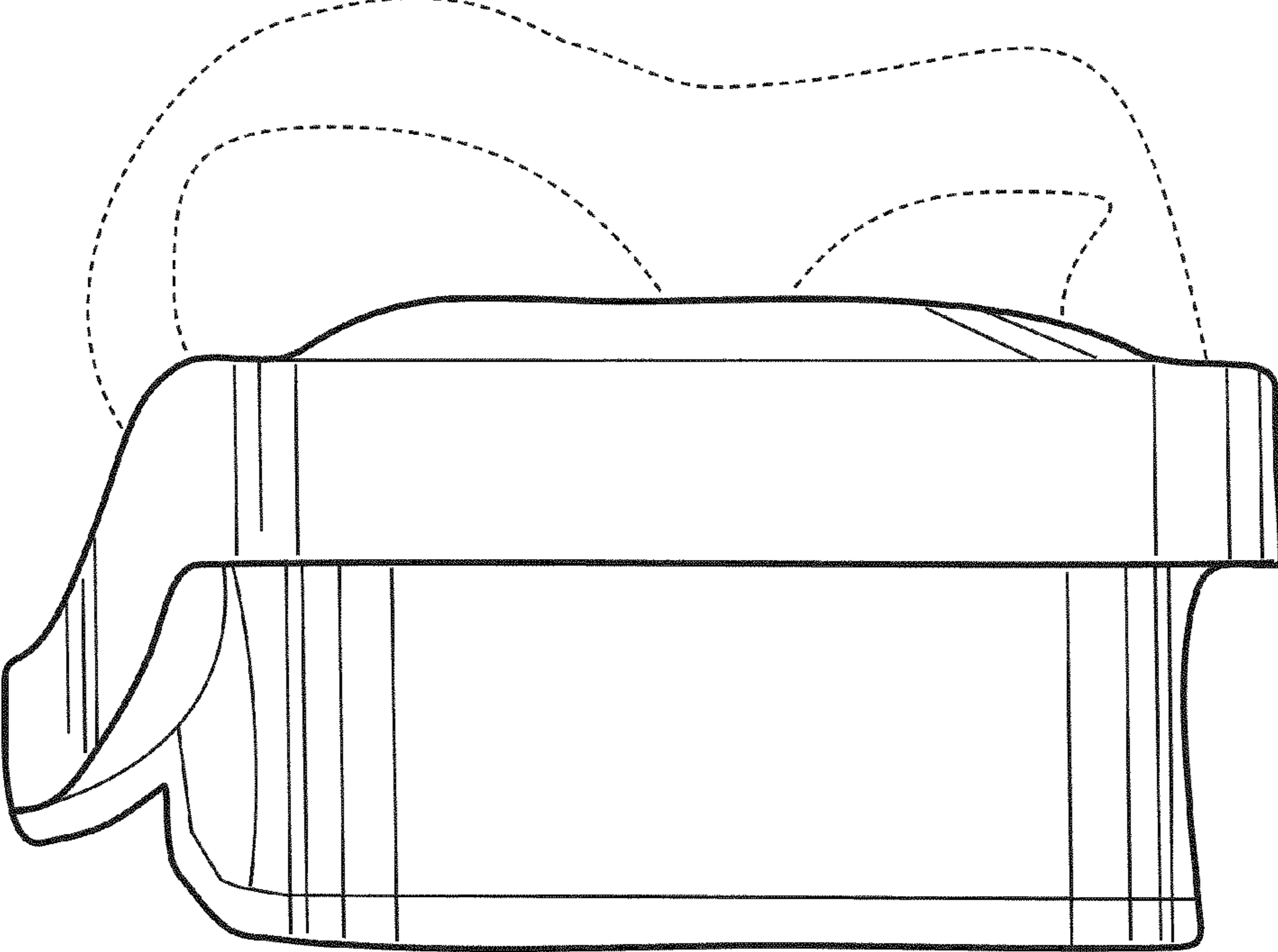


Fig. 5

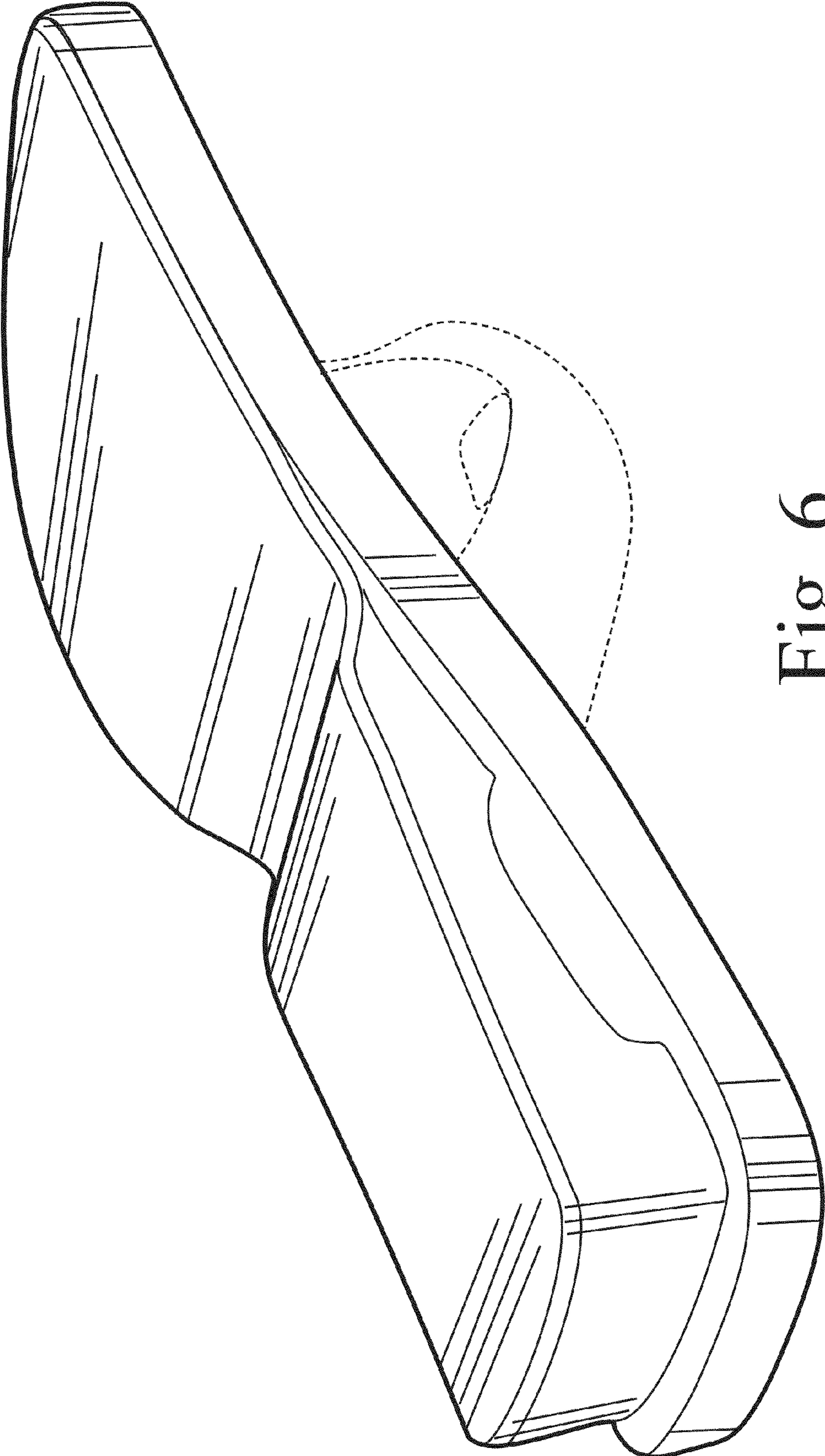


Fig. 6