



US00D582124S

(12) **United States Design Patent**
Wurdack

(10) **Patent No.:** **US D582,124 S**
(45) **Date of Patent:** **** Dec. 2, 2008**

(54) **JACK ATTACHMENT FACE**

(76) Inventor: **Roy A. Wurdack**, 8506 Snow Hill Rd.,
Ooltewah, TN (US) 37363

(**) Term: **14 Years**

(21) Appl. No.: **29/282,886**

(22) Filed: **Jul. 31, 2007**

(51) **LOC (8) Cl.** **12-05**

(52) **U.S. Cl.** **D34/35; D34/31**

(58) **Field of Classification Search** D34/28,
D34/31, 35; 254/133 R, 134, 106, 100; D8/363,
D8/367, 349, 354, 373; D6/580; 248/220.43,
248/220.21, 262, 263, 309.1

See application file for complete search history.

(56) **References Cited**

U.S. PATENT DOCUMENTS

2,662,988	A *	12/1953	McKim	310/91
3,580,543	A *	5/1971	Hafeli	254/100
5,261,643	A	11/1993	Wurdack		
5,385,335	A *	1/1995	Wurdack	254/1
5,855,360	A	1/1999	Wurdack		
D416,471	S	11/1999	Wurdack		
6,155,536	A *	12/2000	Digman	254/93 R
6,471,187	B1 *	10/2002	Dube et al.	254/134
6,581,913	B1 *	6/2003	Conomos et al.	254/133 R
6,581,920	B1 *	6/2003	Smith et al.	269/17
D495,588	S	9/2004	Wurdack		
D532,679	S *	11/2006	Ignagni	D8/354

* cited by examiner

Primary Examiner—Cynthia E Ramirez

(74) *Attorney, Agent, or Firm*—Grace J. Fishel

(57) **CLAIM**

The ornamental design for a jack attachment face, as shown and described.

DESCRIPTION

FIG. 1 is a perspective view of a jack attachment face showing my new design;

FIG. 2 is a front view thereof;

FIG. 3 is a top view thereof;

FIG. 4 is a left side view thereof, the right side being a mirror image;

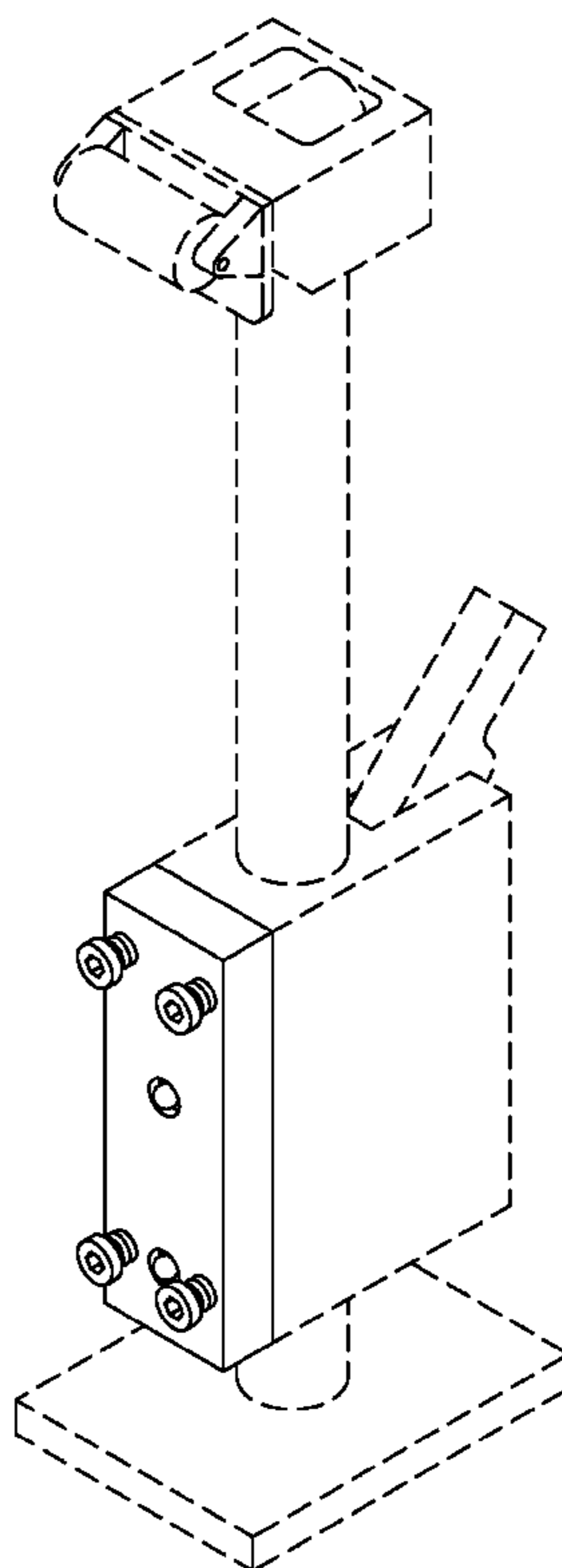
FIG. 5 is perspective view thereof illustrated with a shoe fitting attached; and,

FIG. 6 is a perspective view thereof illustrated with a center clip attached.

The rear of the jack attachment face forms no part of the claimed design.

The jack, base, top stabilizer and handle are shown in broken lines in FIG. 1–4 for illustrative purposes only and form no part of the claimed design. The shoe fitting is shown in broken lines in FIG. 5 and the center clip is shown in broken lines in FIG. 6 for illustrative purposes only and form no part of the claimed design.

1 Claim, 3 Drawing Sheets



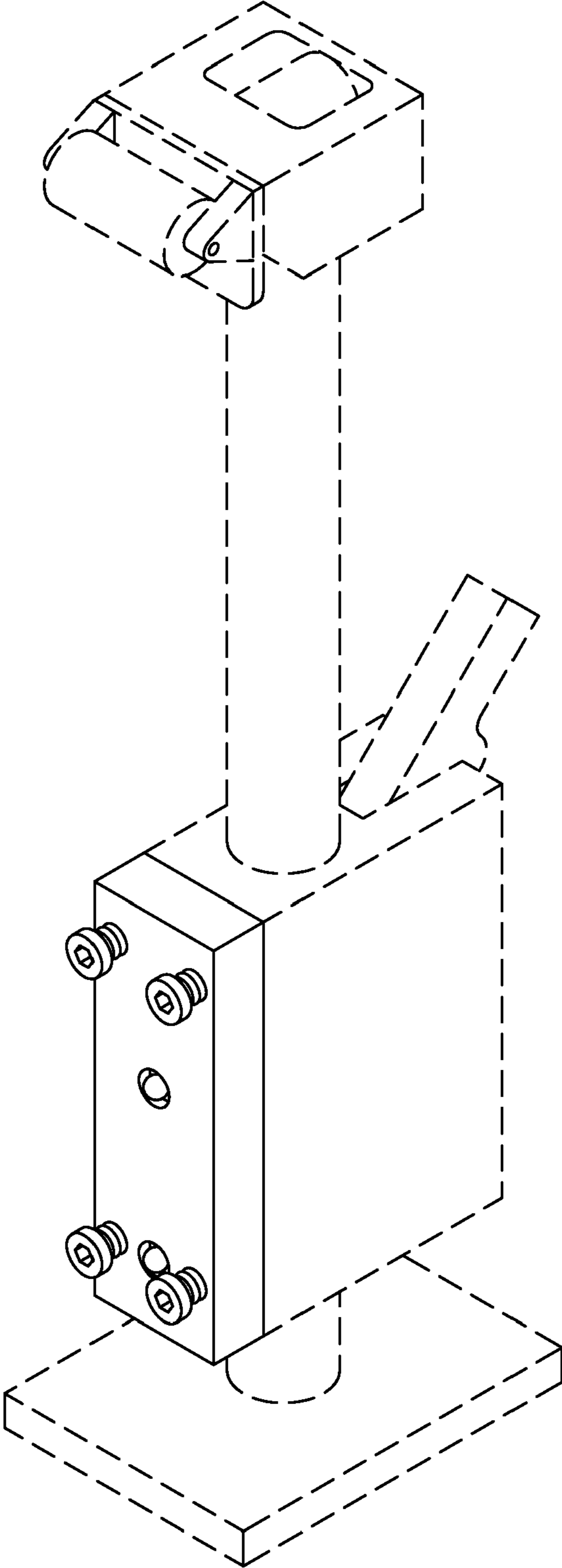


Fig. 1

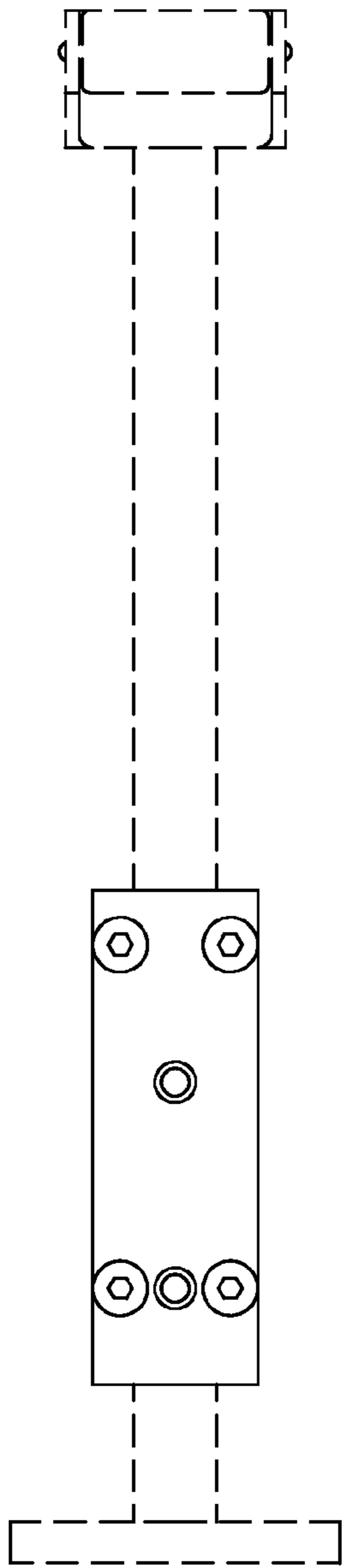


Fig. 2

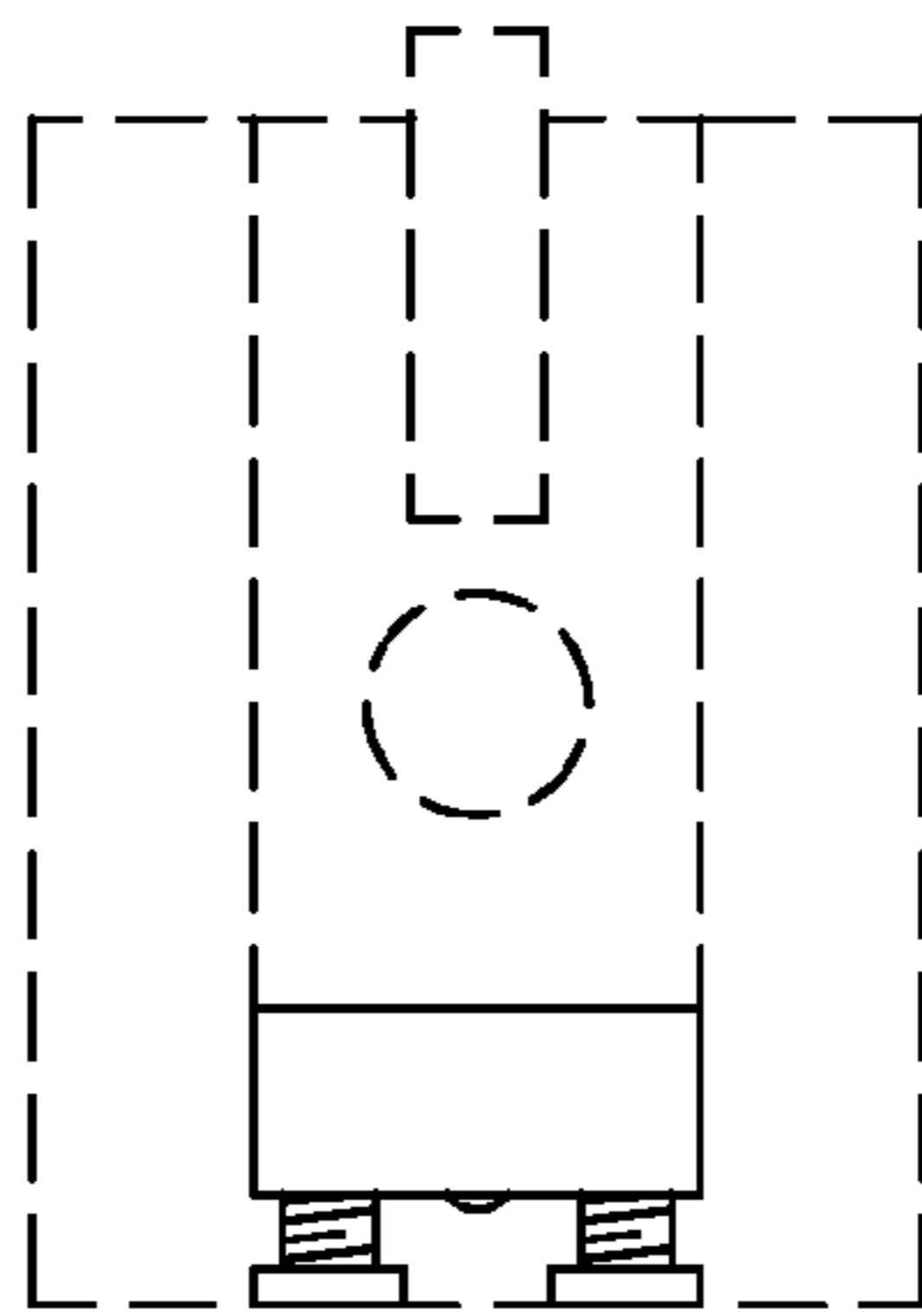


Fig. 3

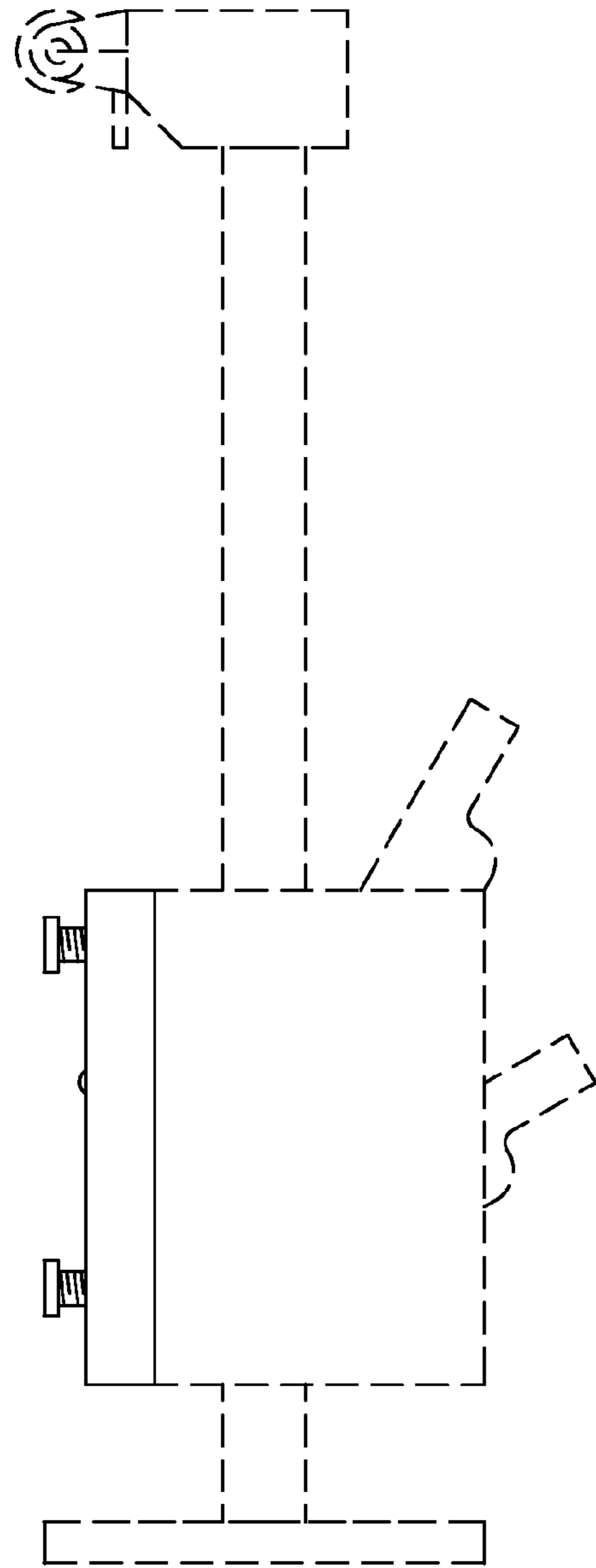


Fig. 4

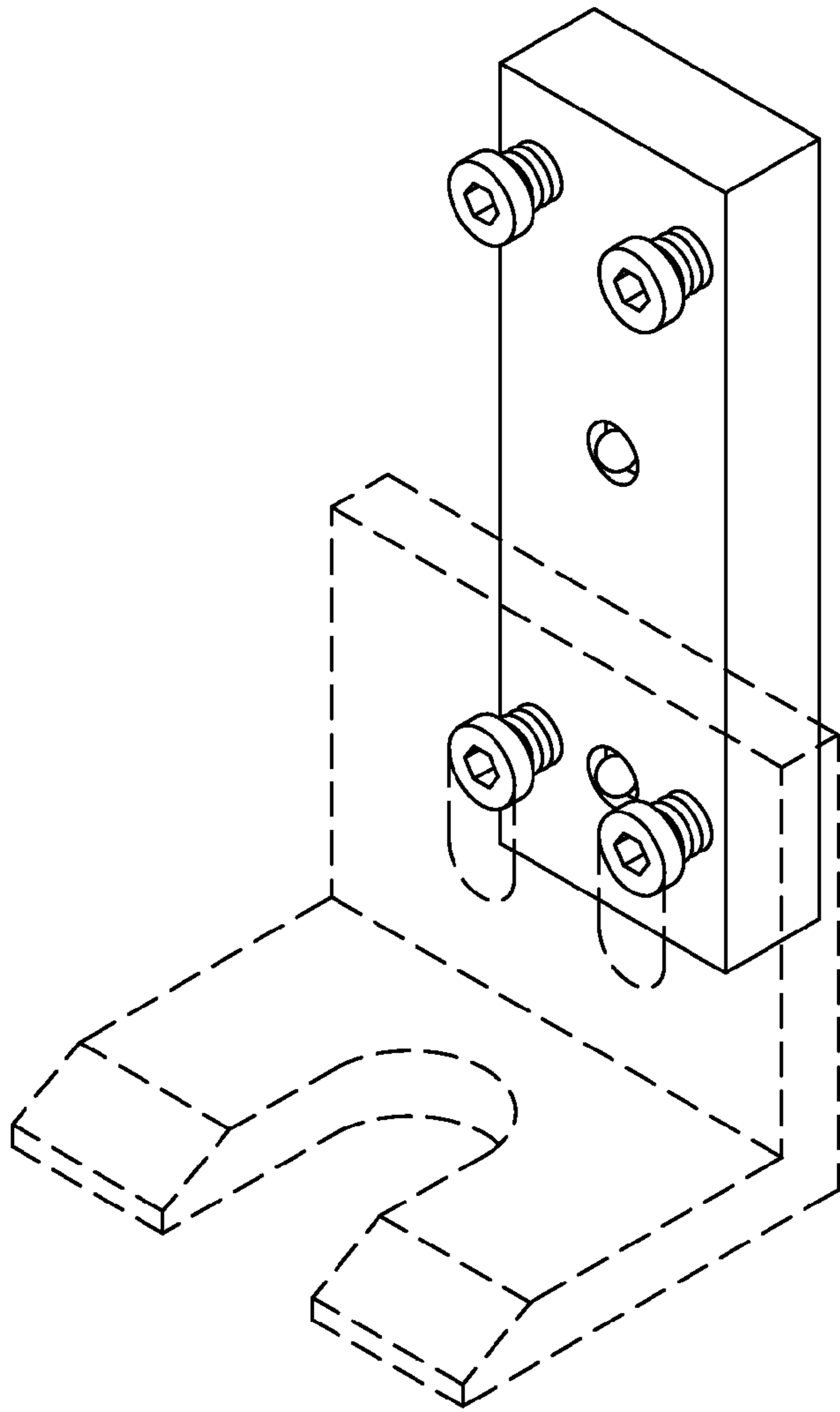


Fig. 5

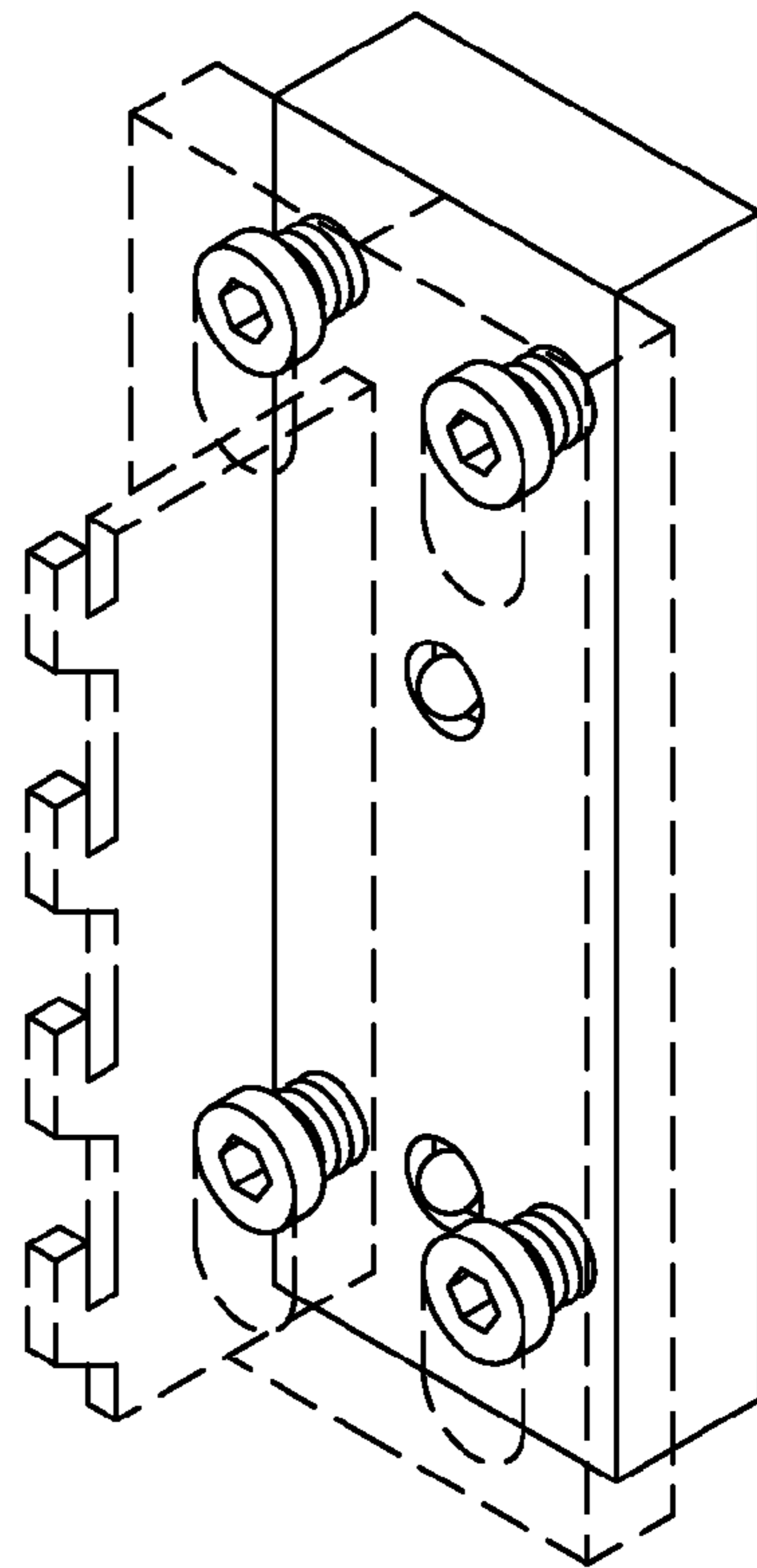


Fig. 6