



US00D582123S

(12) **United States Design Patent**
Brokaw et al.

(10) **Patent No.:** **US D582,123 S**
(45) **Date of Patent:** **** Dec. 2, 2008**

(54) **ANTI-TIP APPARATUS**

(76) Inventors: **Kim Brokaw**, 2249 Grande Ave. SE., Cedar Rapids, IA (US) 52403; **Steven R. Kunert**, 2617 Rainier Ct. NE., Cedar Rapids, IA (US) 52402; **Jack Brokaw**, 2249 Grande Ave. SE., Cedar Rapids, IA (US) 52403

(**) Term: **14 Years**

(21) Appl. No.: **29/301,115**

(22) Filed: **Feb. 11, 2008**

(51) **LOC (8) Cl.** **12-02**

(52) **U.S. Cl.** **D34/27**

(58) **Field of Classification Search** D34/12-27;
280/47.12, 47.18, 47.26, 40, 655, 767, 656,
280/47.31, 47.23; 298/3

See application file for complete search history.

(56) **References Cited**

U.S. PATENT DOCUMENTS

D205,285 S * 7/1966 Tonelli D34/27

6,311,537 B1 * 11/2001 Vigil 72/392
D487,833 S * 3/2004 Parker D34/27
2002/0130491 A1 * 9/2002 Abel 280/653
2004/0026898 A1 * 2/2004 Tomchak et al. 280/653

* cited by examiner

Primary Examiner—Cynthia E Ramirez

(74) *Attorney, Agent, or Firm*—Suiter Swantz pc llo

(57) **CLAIM**

The ornamental design for an anti-tip apparatus, as shown and described.

DESCRIPTION

FIG. 1 is a perspective view of an anti-tip apparatus showing our new design;

FIG. 2 is a top plan view thereof;

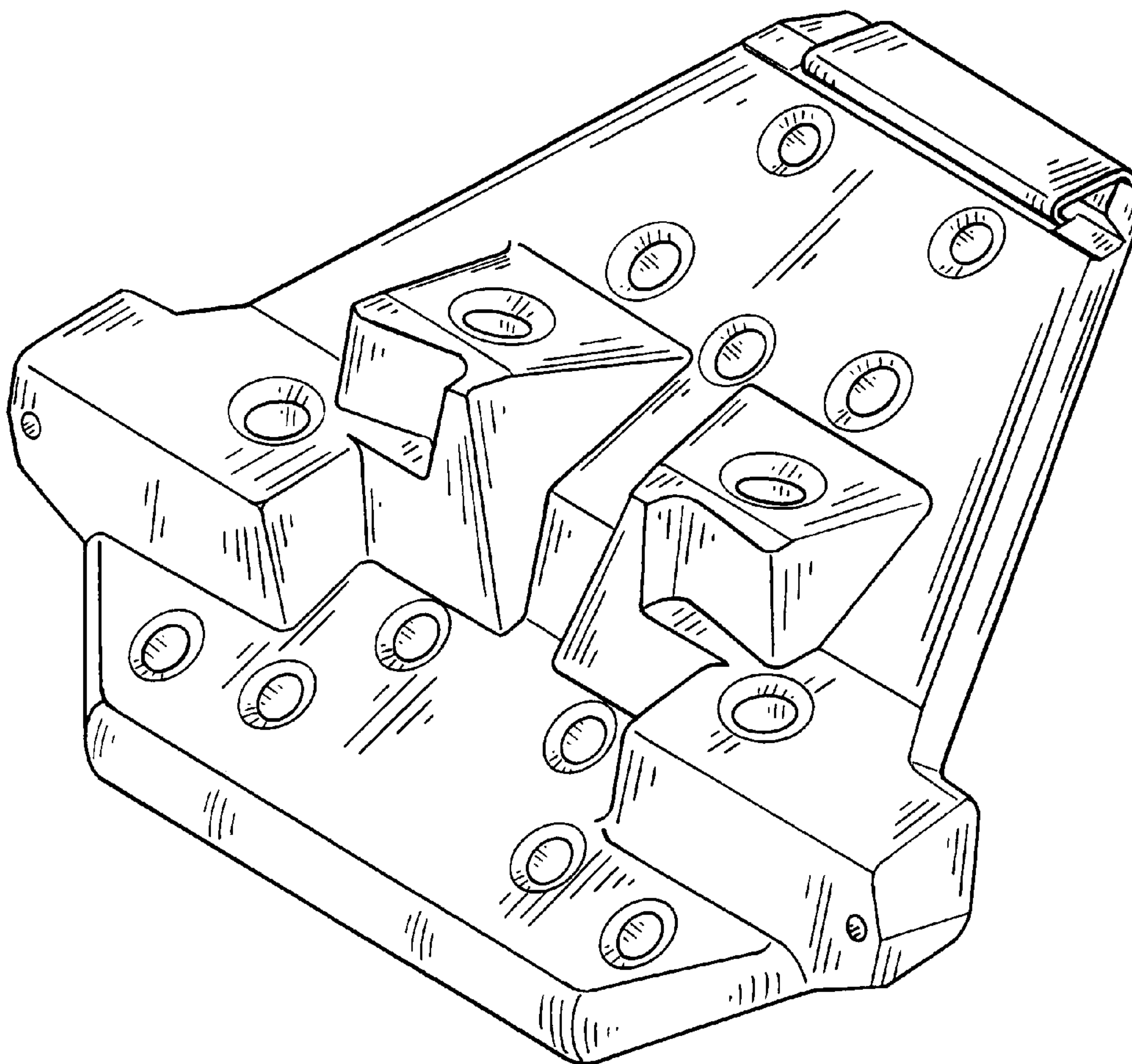
FIG. 3 is a front elevation view thereof;

FIG. 4 is a side elevation view thereof;

FIG. 5 is a bottom elevation view thereof; and,

FIG. 6 is a rear elevation view thereof.

1 Claim, 3 Drawing Sheets



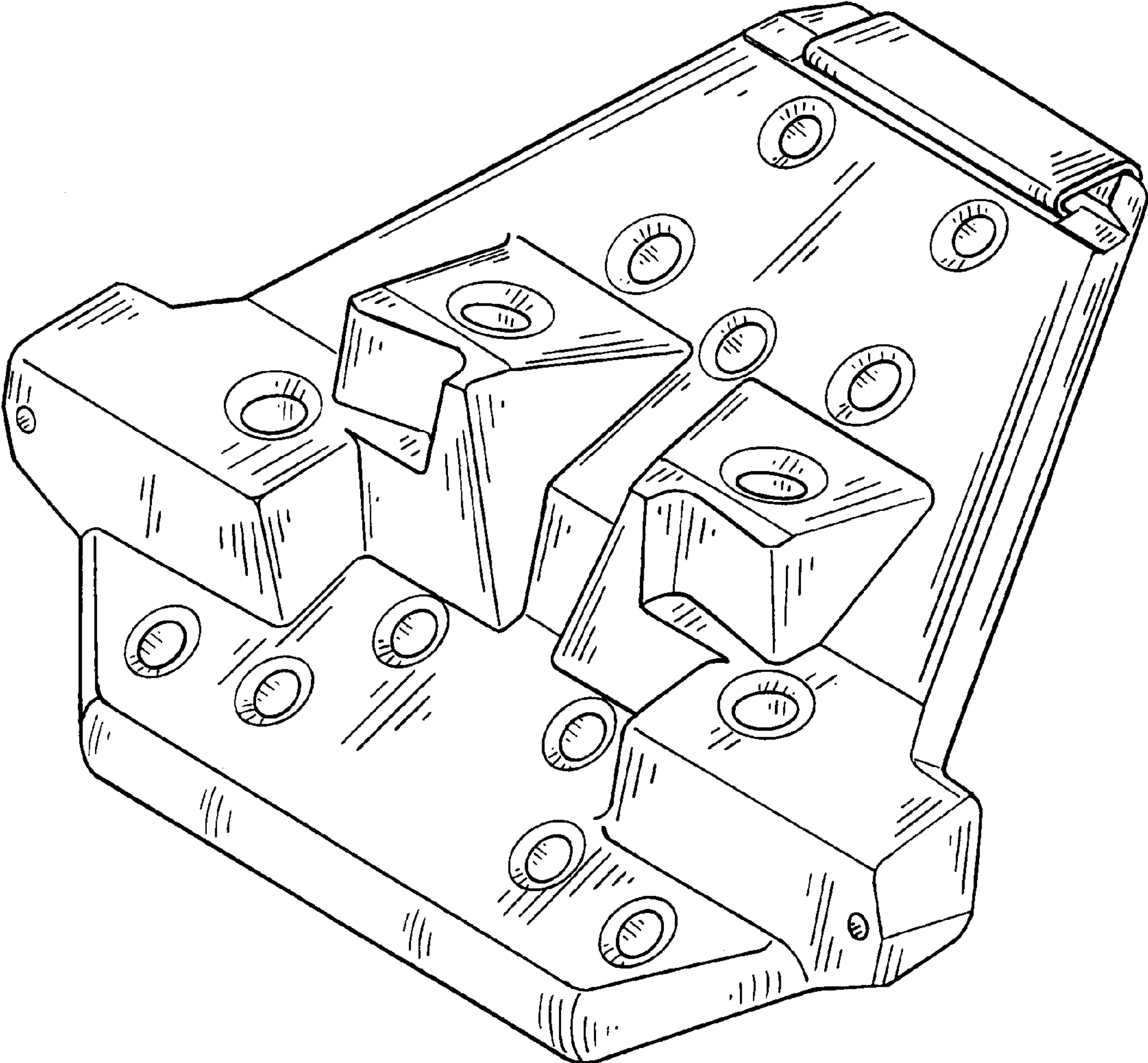


FIG. 1

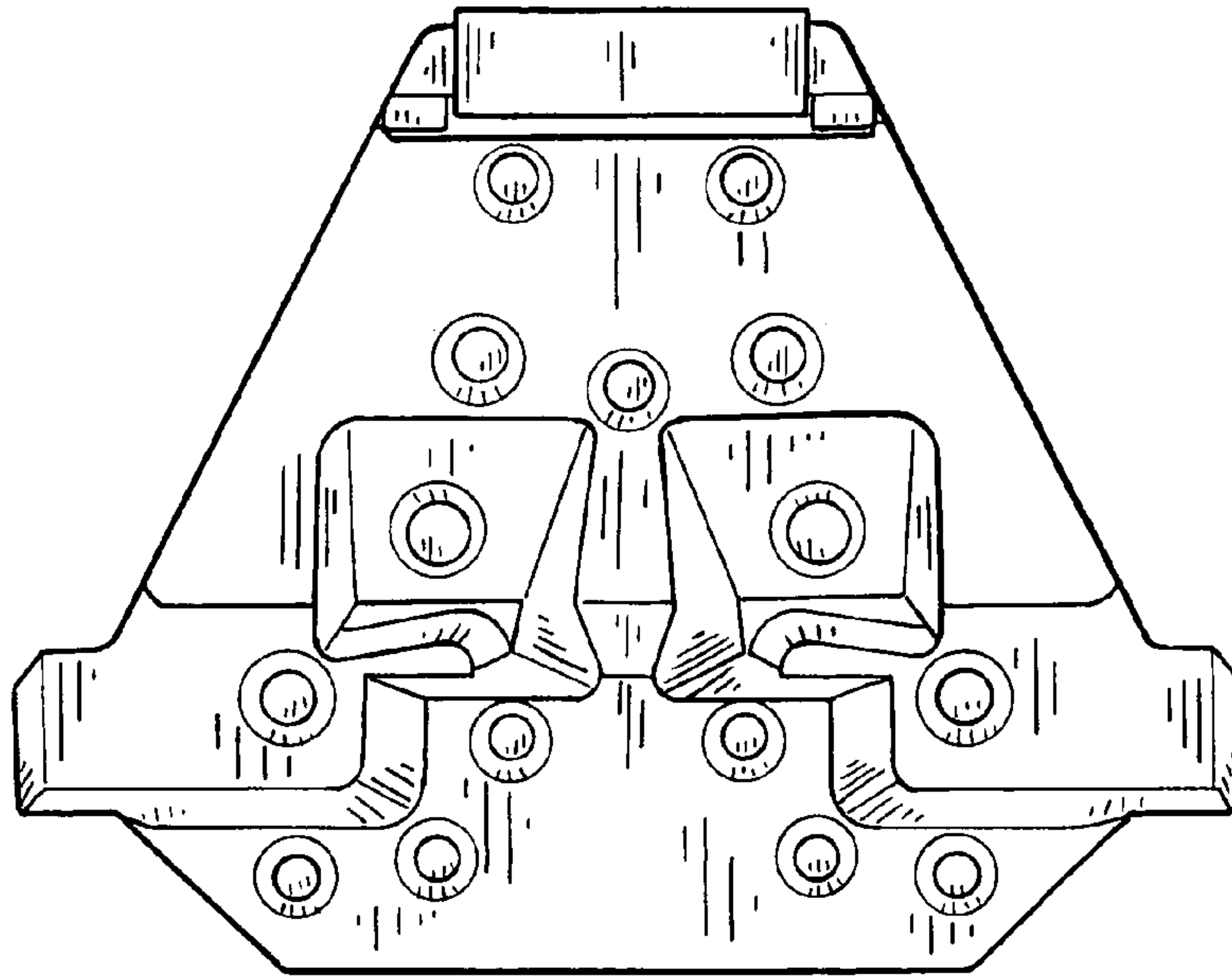


FIG. 2

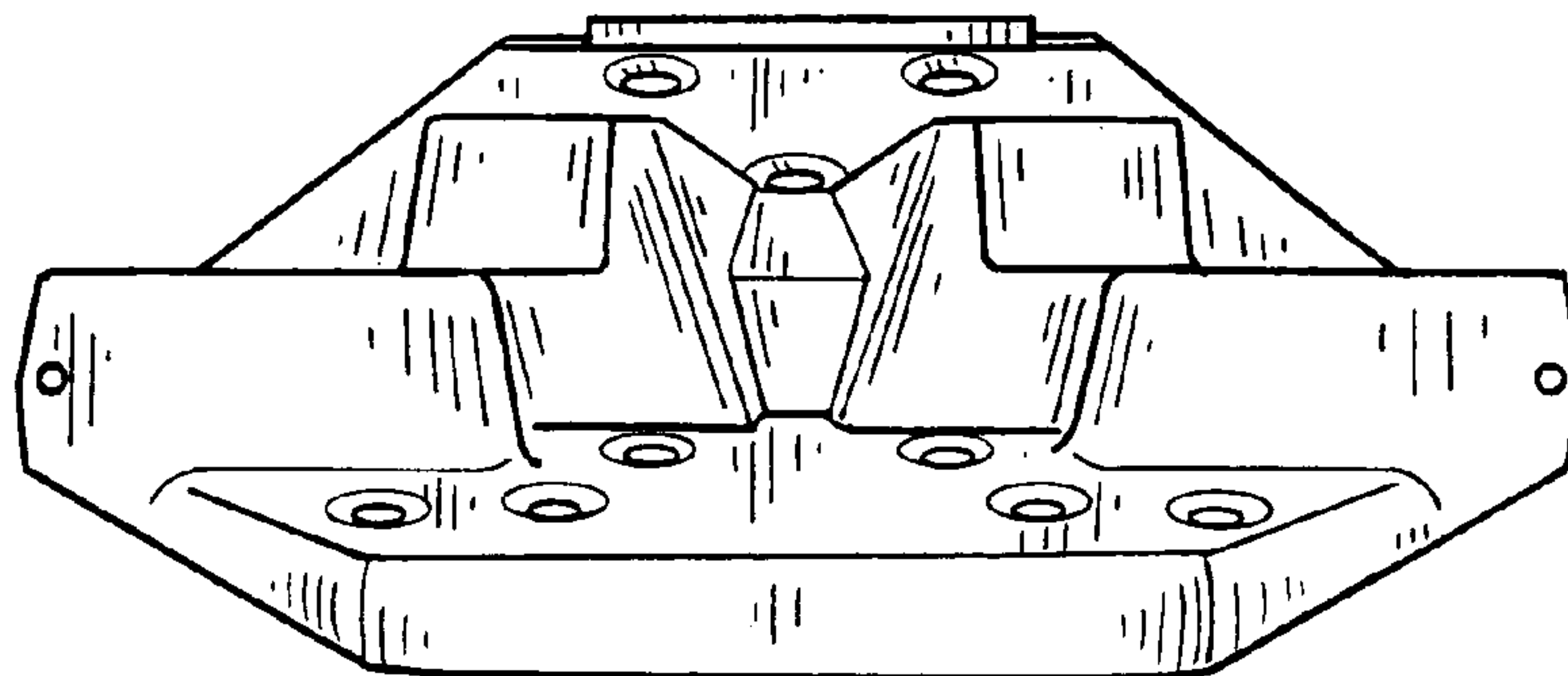


FIG. 3

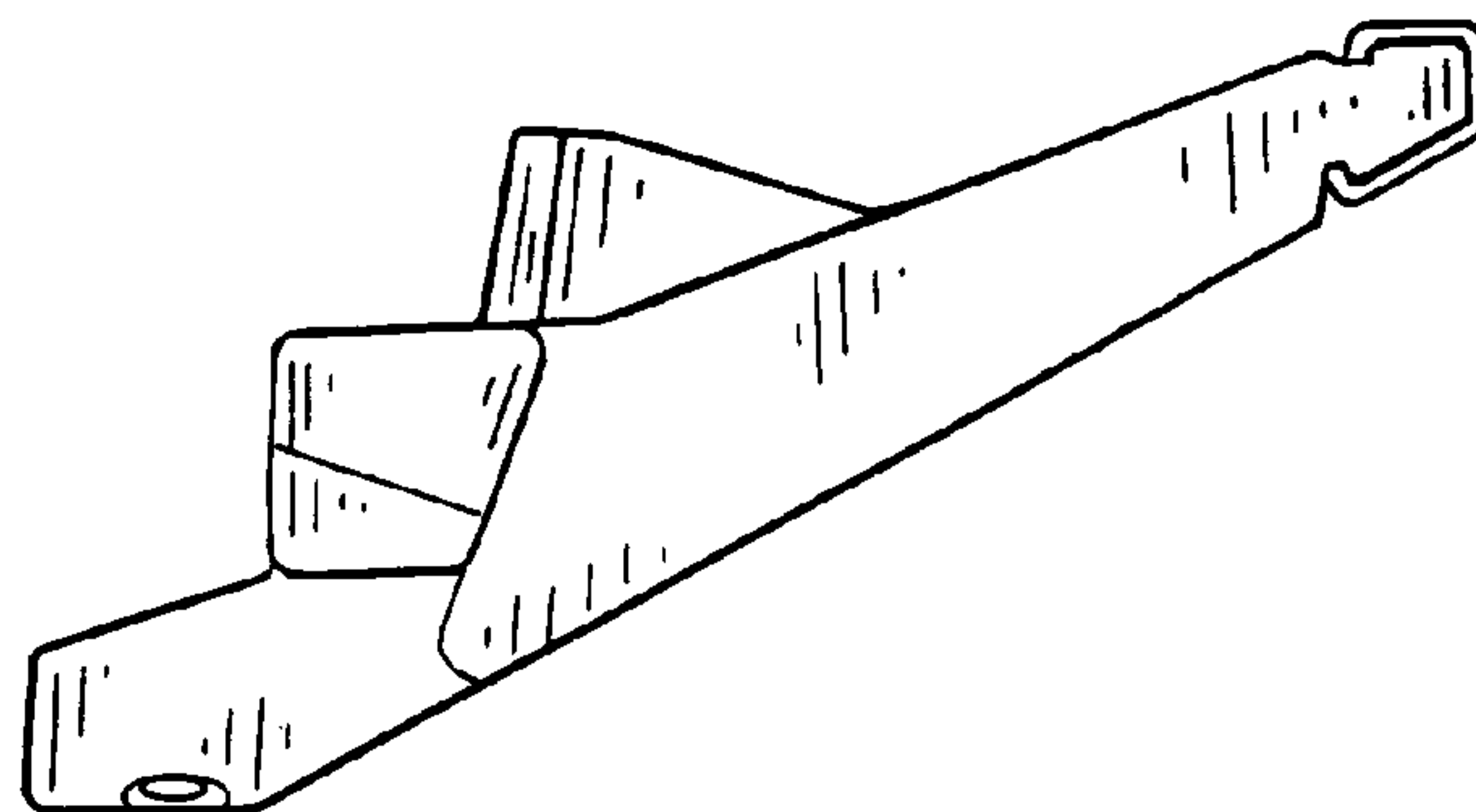


FIG. 4

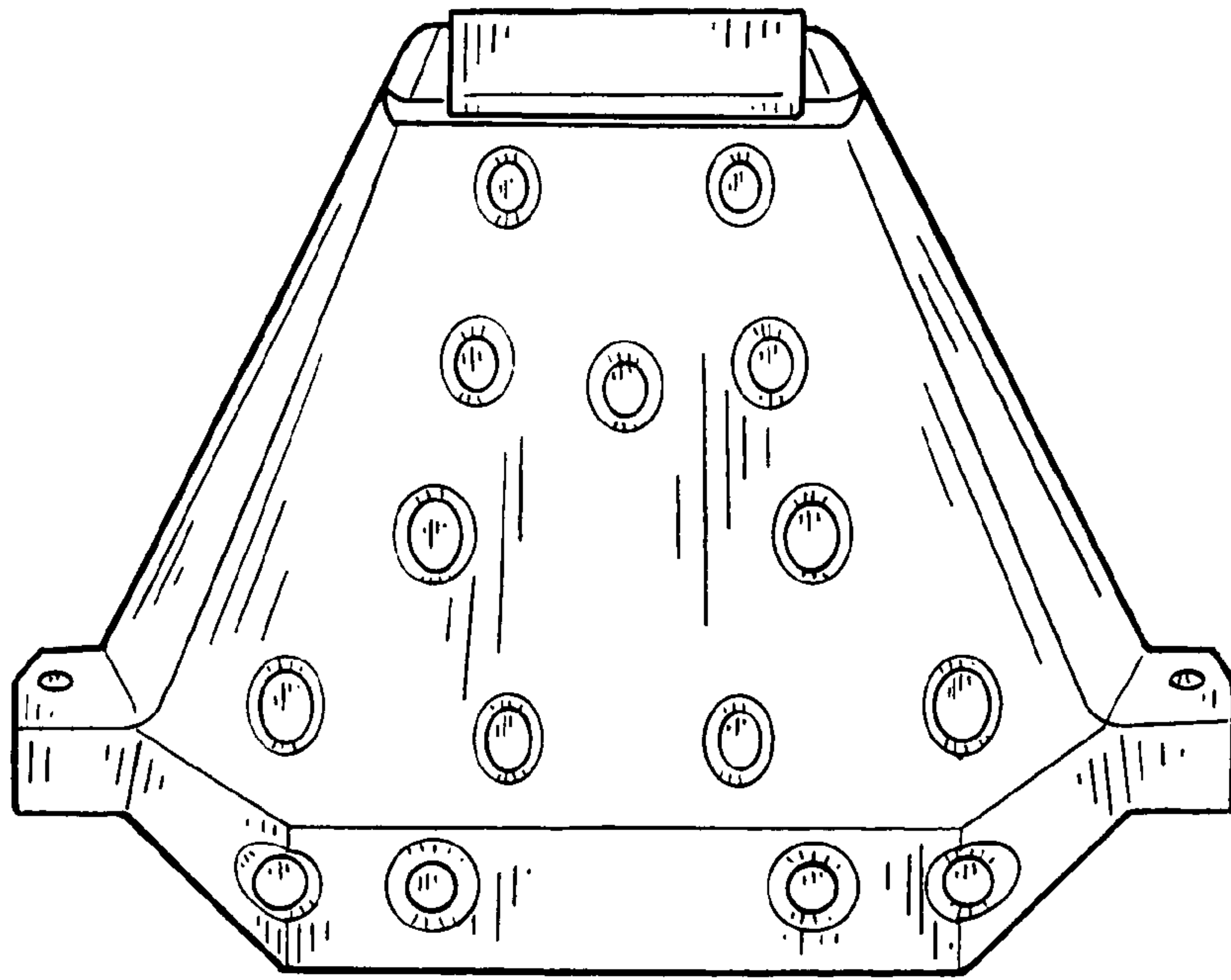


FIG. 5

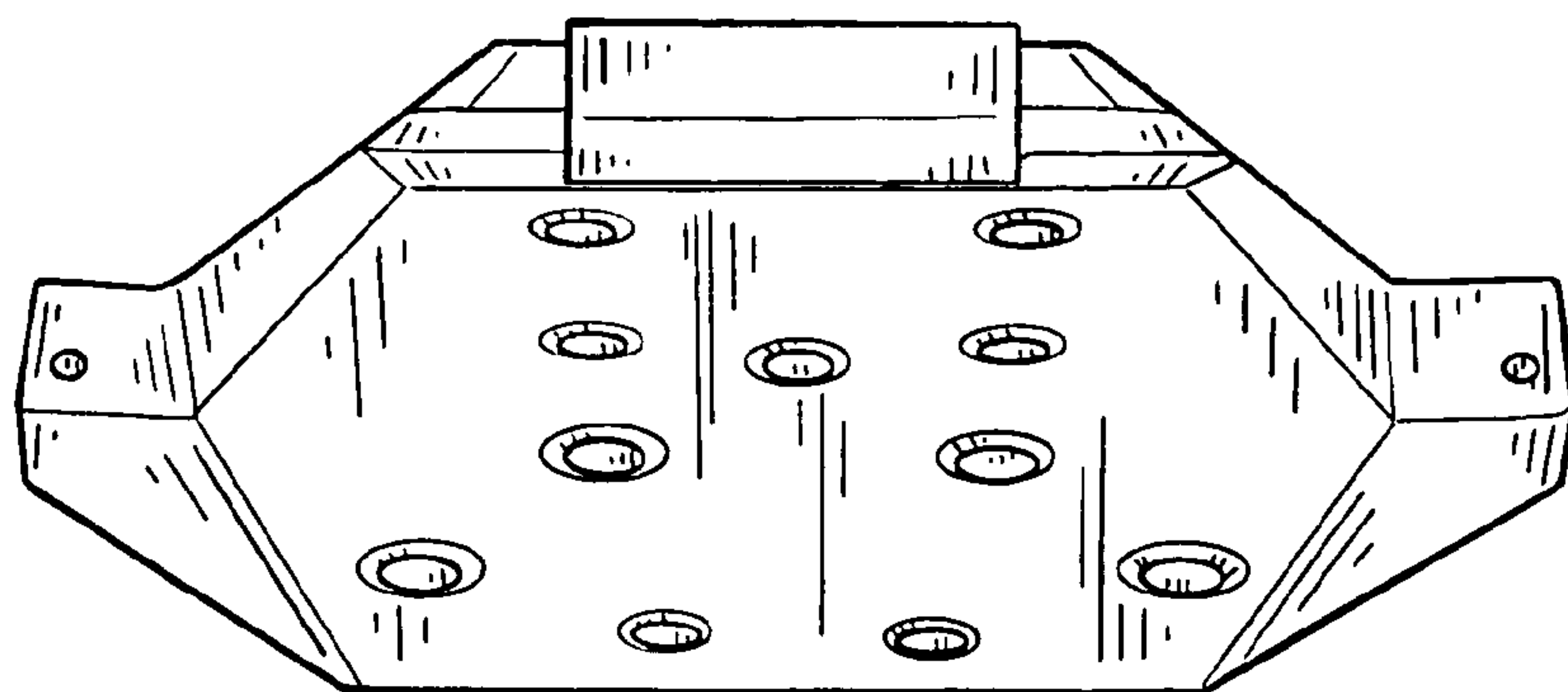


FIG. 6