



US00D582117S

(12) **United States Design Patent**  
**Chafe et al.**

(10) **Patent No.:** **US D582,117 S**  
(45) **Date of Patent:** **\*\* Dec. 2, 2008**

(54) **CONTAINER**

(75) Inventors: **Adam J. Chafe**, Hudson, OH (US);  
**Stuart F. Bedford**, Hudson, OH (US);  
**Kenneth W. Erdmann**, Chagrin Falls,  
OH (US); **James E. MacDonald**,  
Medina, OH (US); **Dilip R. Tamhane**,  
Avon Lake, OH (US); **Oliver J. Ramsey**,  
Brunswick, OH (US); **Ronald D. Hudas**,  
Massillon, OH (US); **Charlie Watling**,  
Raleigh, NC (US); **Forrest A. Burney**,  
Raleigh, NC (US); **Bob Bruno**, Avon,  
CT (US); **Scott Belliveau**, Plainfield, IL  
(US)

(73) Assignee: **The Sherwin-Williams Company**,  
Cleveland, OH (US)

(\*\*) Term: **14 Years**

(21) Appl. No.: **29/220,702**

(22) Filed: **Jan. 5, 2005**

(51) **LOC (8) Cl.** ..... **07-07**

(52) **U.S. Cl.** ..... **D32/53.1**

(58) **Field of Classification Search** ..... D32/53.1,  
D32/53, 54; 222/570; 220/570, 757, 754,  
220/697, 507, 695, 793, 571, 571.1; 15/257.05,  
15/257.06; 206/216; D3/276, 304  
See application file for complete search history.

(56) **References Cited**

U.S. PATENT DOCUMENTS

1,554,824 A	9/1925	Knoblock	
2,275,305 A	3/1942	Morgan	
2,659,096 A	11/1953	Menefeldowski, Jr.	..... 15/121.2
2,723,410 A	11/1955	Sprung et al.	..... 15/121.2
2,827,648 A	3/1958	Geisz	
2,893,030 A	7/1959	Avema	
2,911,663 A	11/1959	Geary	..... 15/121.2

3,091,793 A	6/1963	Bentley, Jr.	..... 15/257.06
3,493,983 A	2/1970	Tidwell	
3,536,187 A	10/1970	Stafford	..... 206/15.1
3,553,762 A	1/1971	Padgett, Jr. et al.	
3,576,045 A	4/1971	Stafford	
3,756,451 A	9/1973	Popeil	
3,828,389 A	8/1974	Heisler	..... 15/257.06
3,940,824 A	3/1976	Gioia et al.	..... 15/257.06

(Continued)

FOREIGN PATENT DOCUMENTS

EP 0153059 A1 8/1985

(Continued)

OTHER PUBLICATIONS

PCT International Search Report, Int'l. App. No. PCT/US2005/  
000222, International Filing Date May 1, 2005.

*Primary Examiner*—Freda S. Nunn

*Assistant Examiner*—Kevin K Rudzinski

(74) *Attorney, Agent, or Firm*—Arthi K. Tirey; Robert E.  
McDonald; Eryn Ace Fuhrer

(57) **CLAIM**

The ornamental design for a container, as shown and  
described.

**DESCRIPTION**

FIG. 1 is a top perspective view of a container of the present  
invention.

FIG. 2 is a bottom perspective view of a container.

FIG. 3 is a top plan view of a container.

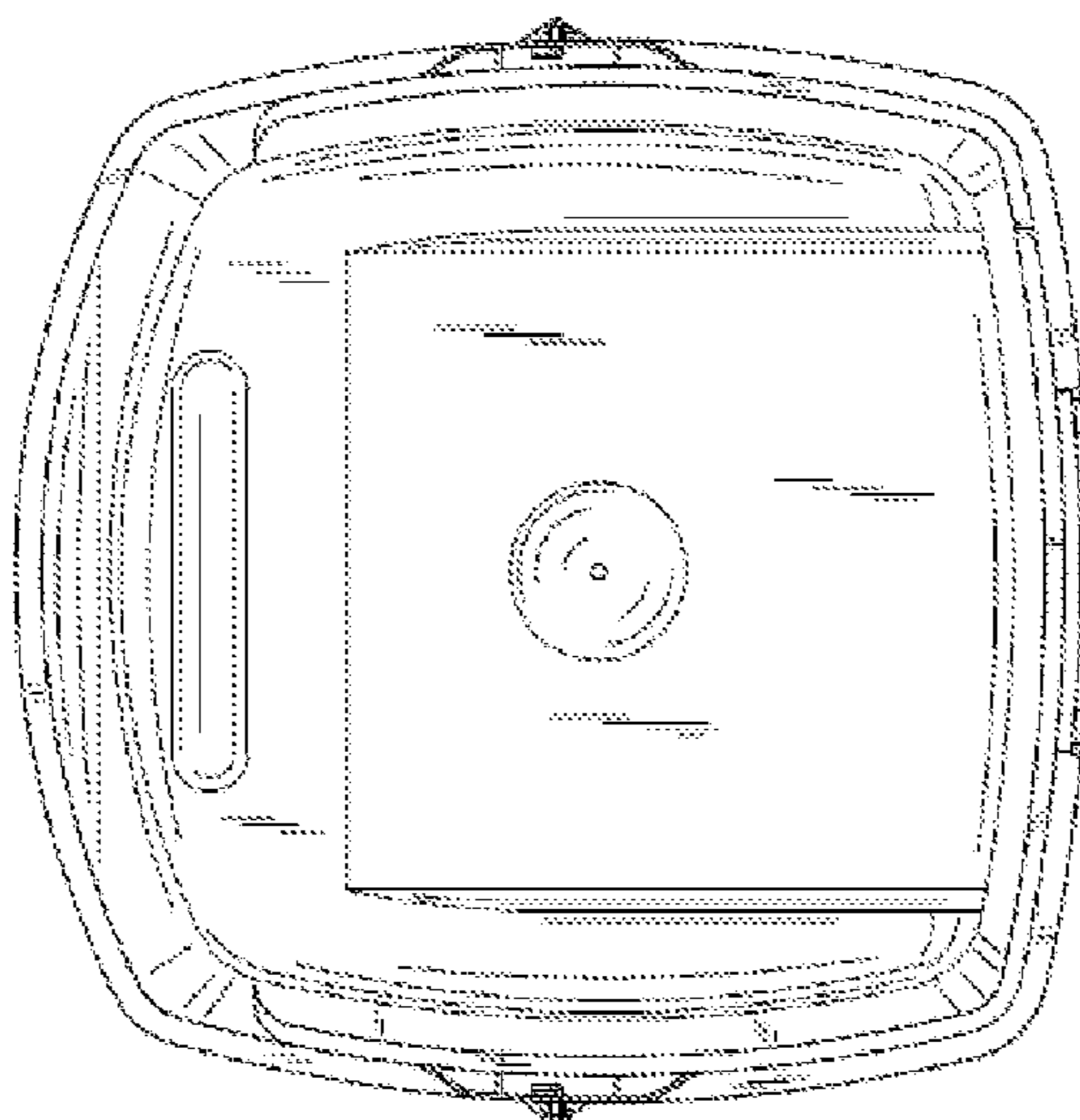
FIG. 4 is a side elevation view of a container.

FIG. 5 is a front elevation view of a container.

FIG. 6 is bottom plan view of a container; and,

FIG. 7 is a back elevation view of a container.

**1 Claim, 4 Drawing Sheets**



# US D582,117 S

Page 2

## U.S. PATENT DOCUMENTS

D264,147 S \* 5/1982 Heath ..... D32/54  
 4,445,250 A 5/1984 Seidl  
 4,491,234 A 1/1985 Wilcock  
 4,547,926 A 10/1985 Kern ..... 15/257.06  
 4,651,379 A 3/1987 Kern ..... 15/257  
 4,691,838 A 9/1987 Graham et al. .... 220/93  
 D293,144 S \* 12/1987 Papke et al. .... D32/53.1  
 4,865,282 A 9/1989 Yonkman et al.  
 4,928,843 A 5/1990 Gunderson ..... 220/90  
 5,085,317 A 2/1992 Jensen et al. .... 206/229  
 5,251,979 A 10/1993 Larsen  
 5,283,928 A 2/1994 Linn et al. .... 15/257  
 5,314,061 A 5/1994 Bedrossian ..... 206/229  
 5,316,137 A 5/1994 Kyllonen ..... 206/209  
 5,335,806 A 8/1994 Dedoes  
 5,341,969 A 8/1994 Accardo et al. .... 222/465.1  
 D355,287 S 2/1995 Camp, Jr. .... D32/53.1  
 5,400,916 A 3/1995 Weber ..... 220/404  
 5,404,611 A 4/1995 Raney ..... 15/257  
 D363,575 S \* 10/1995 Torntore ..... D32/53.1  
 5,472,111 A \* 12/1995 Renfrew ..... 220/570  
 5,533,228 A 7/1996 Jarecki et al. .... 15/257.06  
 5,546,628 A 8/1996 Silvera  
 5,553,701 A 9/1996 Jarecki et al. .... 206/15.2  
 5,566,861 A 10/1996 Serano  
 D381,229 S \* 7/1997 Yemini ..... D6/525  
 5,660,302 A 8/1997 Trout ..... 220/790  
 5,727,708 A 3/1998 Erickson  
 5,810,196 A 9/1998 Lundy ..... 220/736  
 5,855,304 A 1/1999 Dean et al. .... 222/481  
 5,941,410 A 8/1999 Mangano ..... 220/735  
 5,960,946 A 10/1999 Gramlich ..... 206/209  
 5,966,772 A 10/1999 Woodnorth et al. .... 15/230.11

6,065,633 A 5/2000 Abbey  
 6,102,235 A 8/2000 Stern et al. .... 220/212  
 6,105,813 A 8/2000 Abbey ..... 220/570  
 6,119,303 A 9/2000 Passafiume ..... 15/257.06  
 D435,728 S \* 1/2001 Miles et al. .... D3/304  
 6,199,718 B1 3/2001 Ellis ..... 220/735  
 6,237,799 B1 5/2001 Emerson ..... 220/480  
 6,305,045 B1 10/2001 Walsh et al.  
 6,419,106 B1 7/2002 Bebak  
 6,543,635 B2 4/2003 Ciccone ..... 220/276  
 6,622,884 B1 9/2003 Gartner ..... 220/570  
 6,929,225 B1 \* 8/2005 Kent ..... 248/213.2  
 2002/0056714 A1 5/2002 Schinkel  
 2002/0096527 A1 7/2002 Arenas et al.  
 2003/0012887 A1 1/2003 Orlikowski ..... 427/428  
 2003/0160051 A1 8/2003 Ciccone ..... 220/276  
 2003/0197014 A1 10/2003 Muchin et al. .... 220/318  
 2004/0195267 A1 10/2004 Dean et al.  
 2004/0222226 A1 11/2004 Gottainer et al. .... 220/284  
 2004/0226958 A1 11/2004 Robellard et al.  
 2005/0017012 A1 1/2005 Hodge ..... 220/501  
 2005/0098564 A1 5/2005 Verbrugge et al.  
 2005/0224506 A1 \* 10/2005 Withers ..... 220/793

## FOREIGN PATENT DOCUMENTS

EP 0151876 B1 4/1989  
 EP 0144135 B1 3/1992  
 EP 0402 370 B1 5/1993  
 WO WO 89/07532 8/1989  
 WO 99/22946 5/1999  
 WO WO 02/074633 A2 9/2002  
 WO WO 03/078179 A1 9/2003  
 WO WO 2004/030937 4/2004

\* cited by examiner

FIG. 1

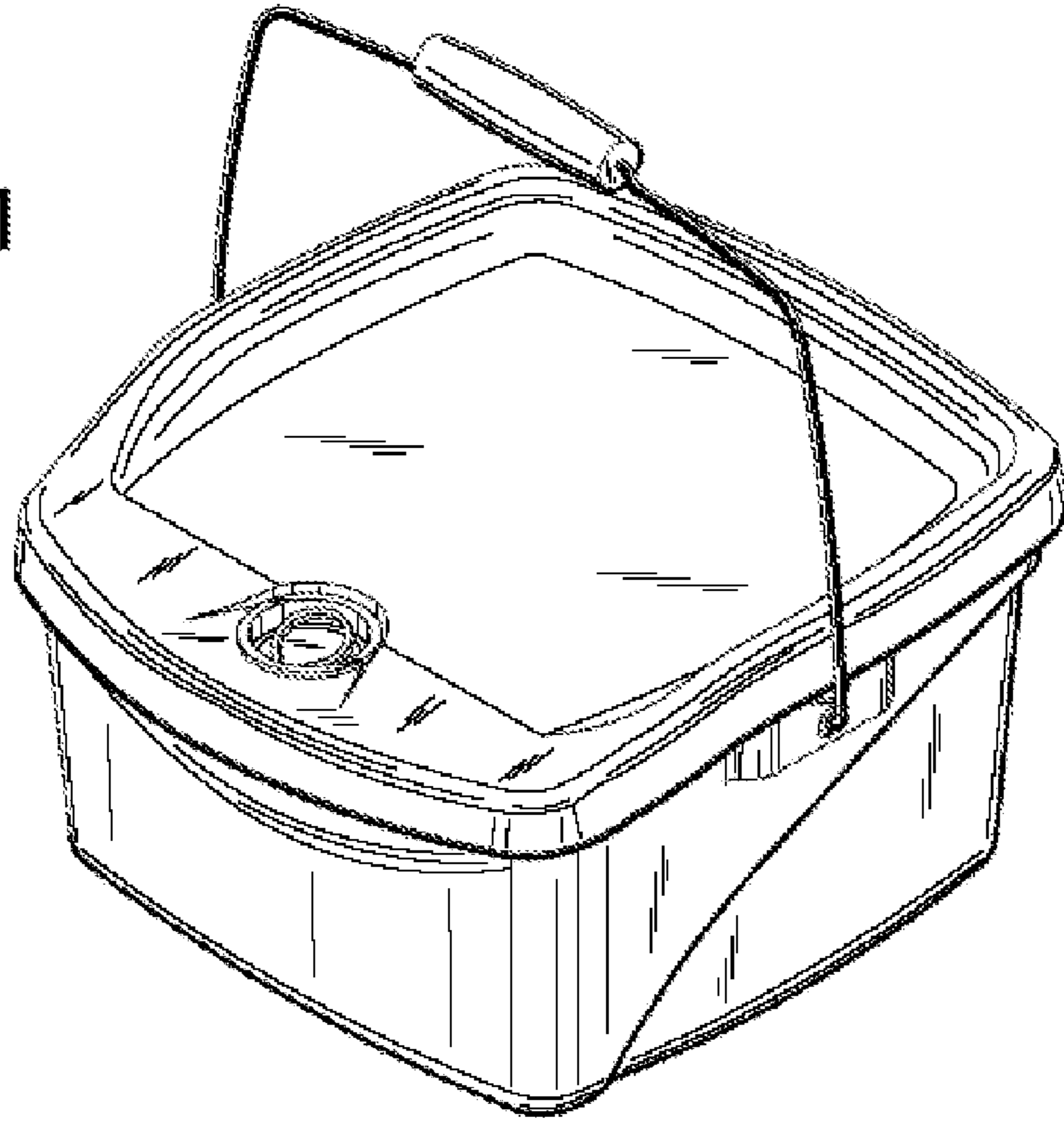
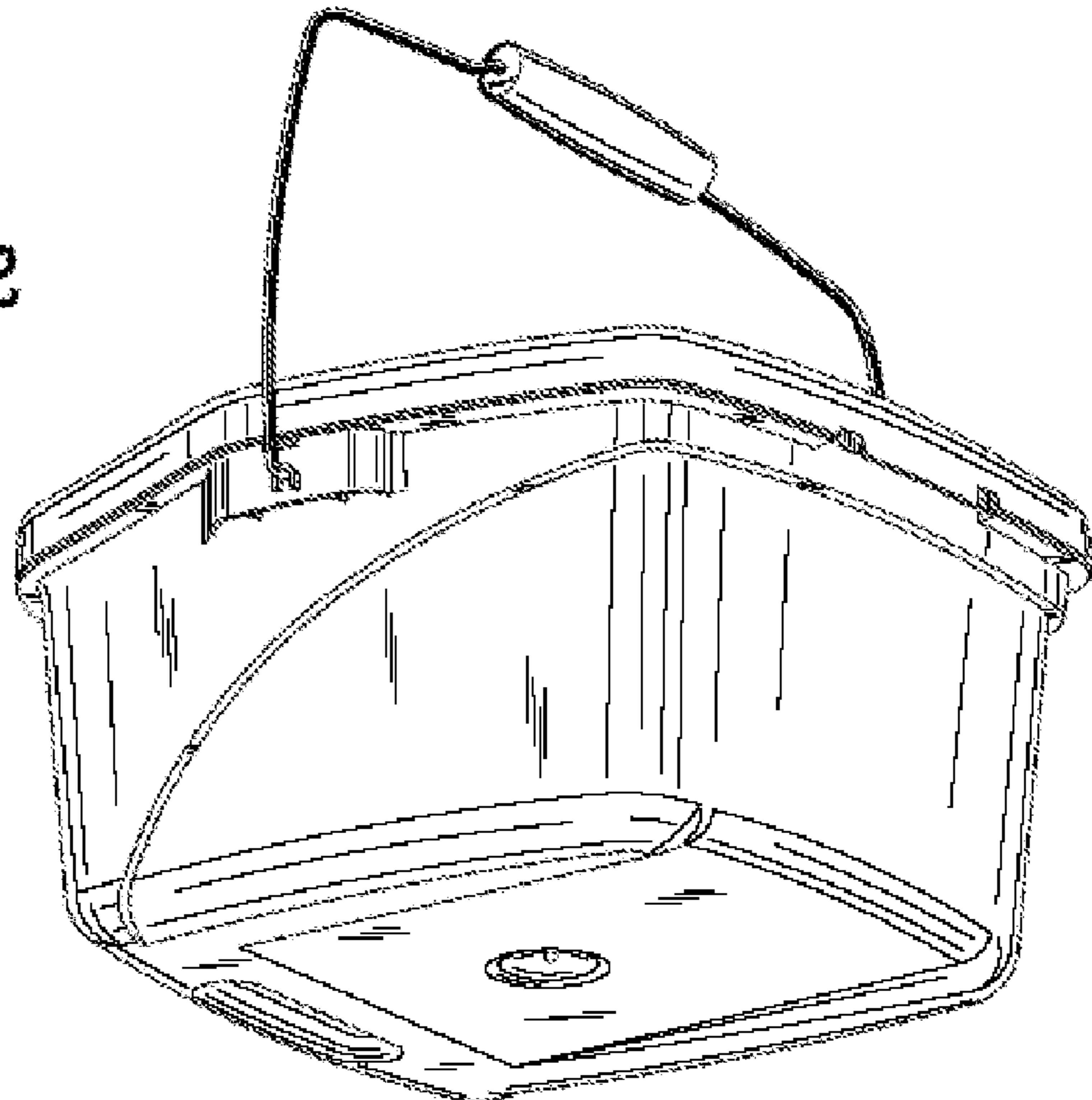


FIG. 2



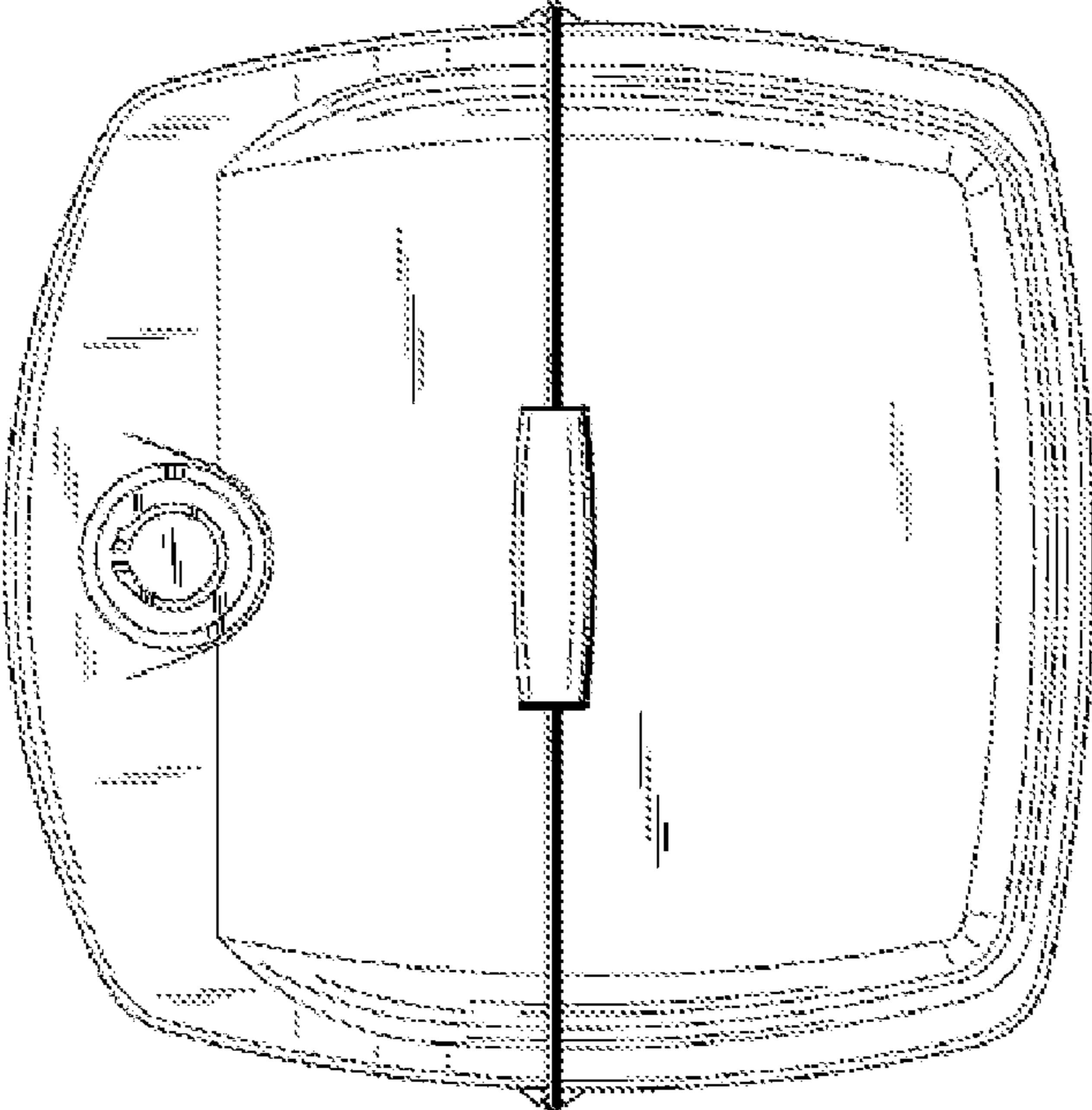


FIG. 3

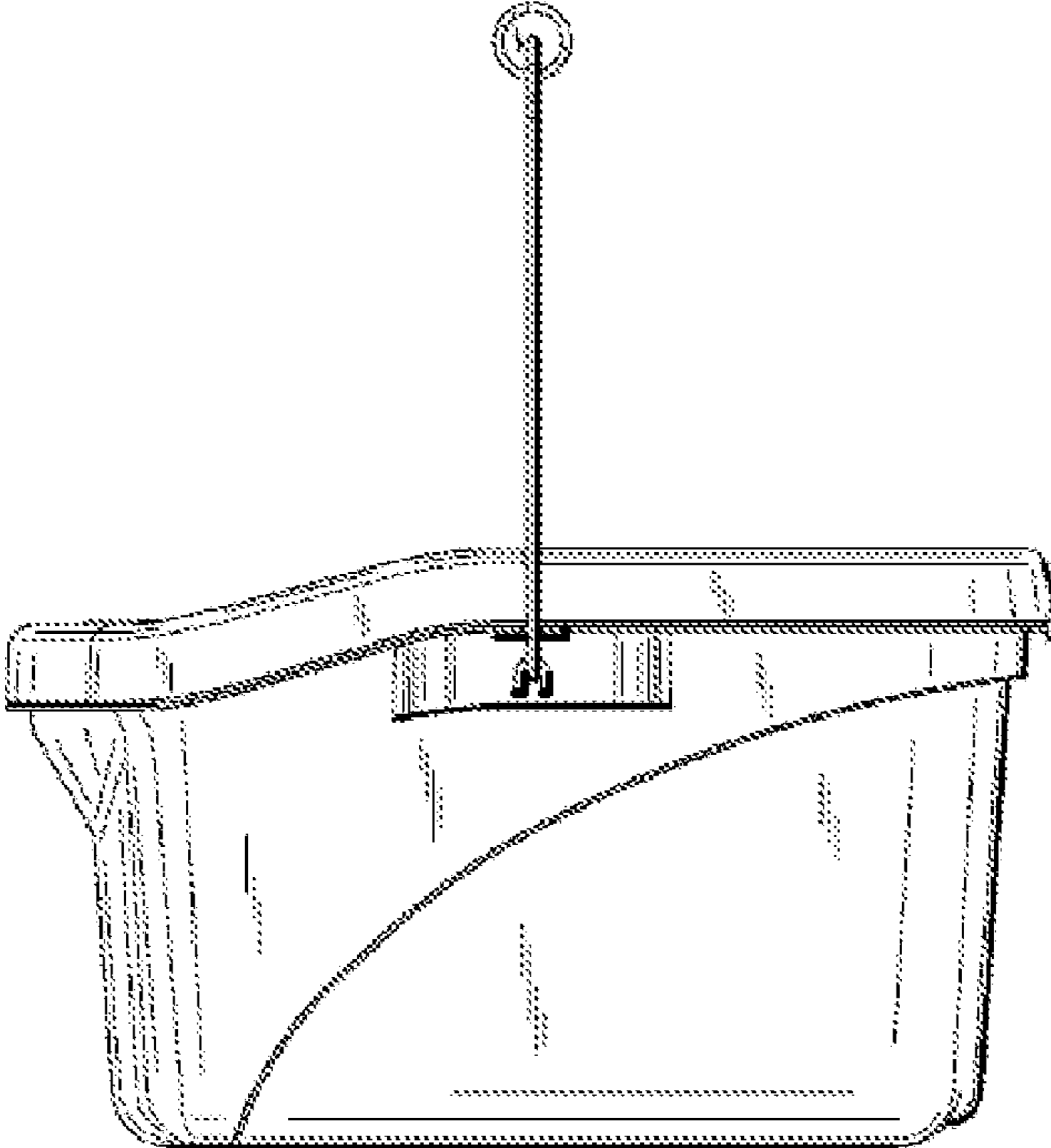


FIG. 4

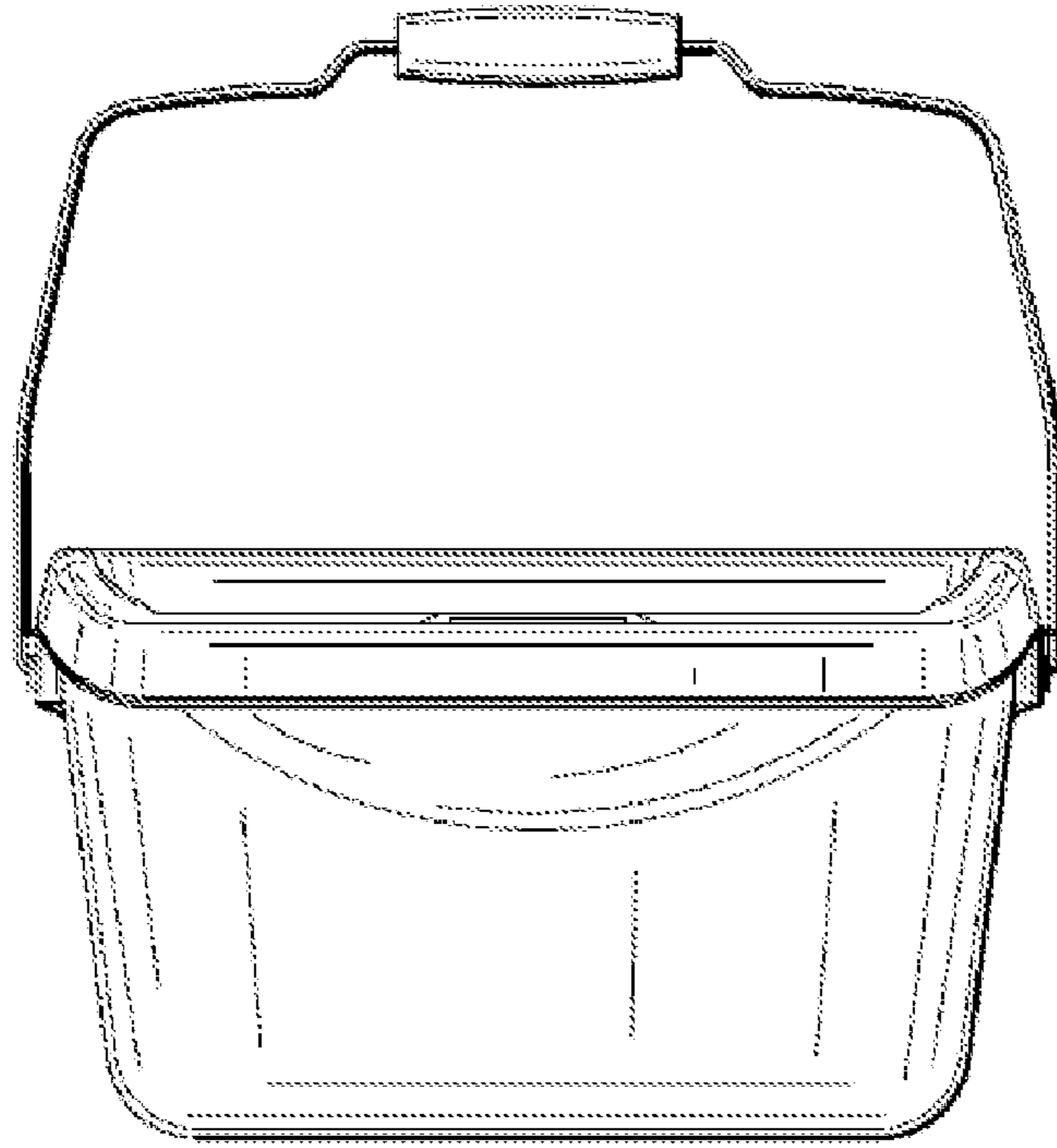


FIG. 5

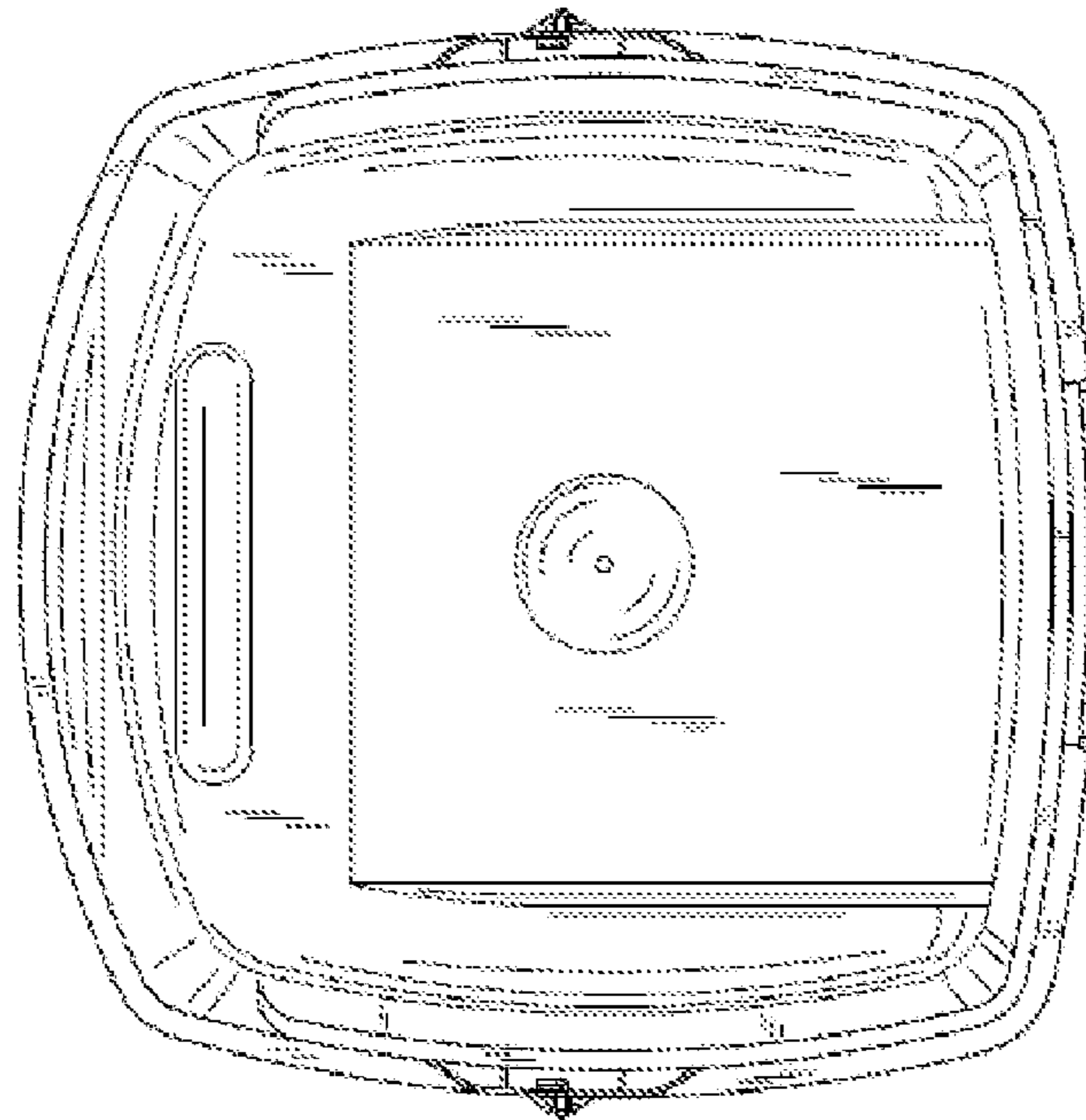


FIG. 6

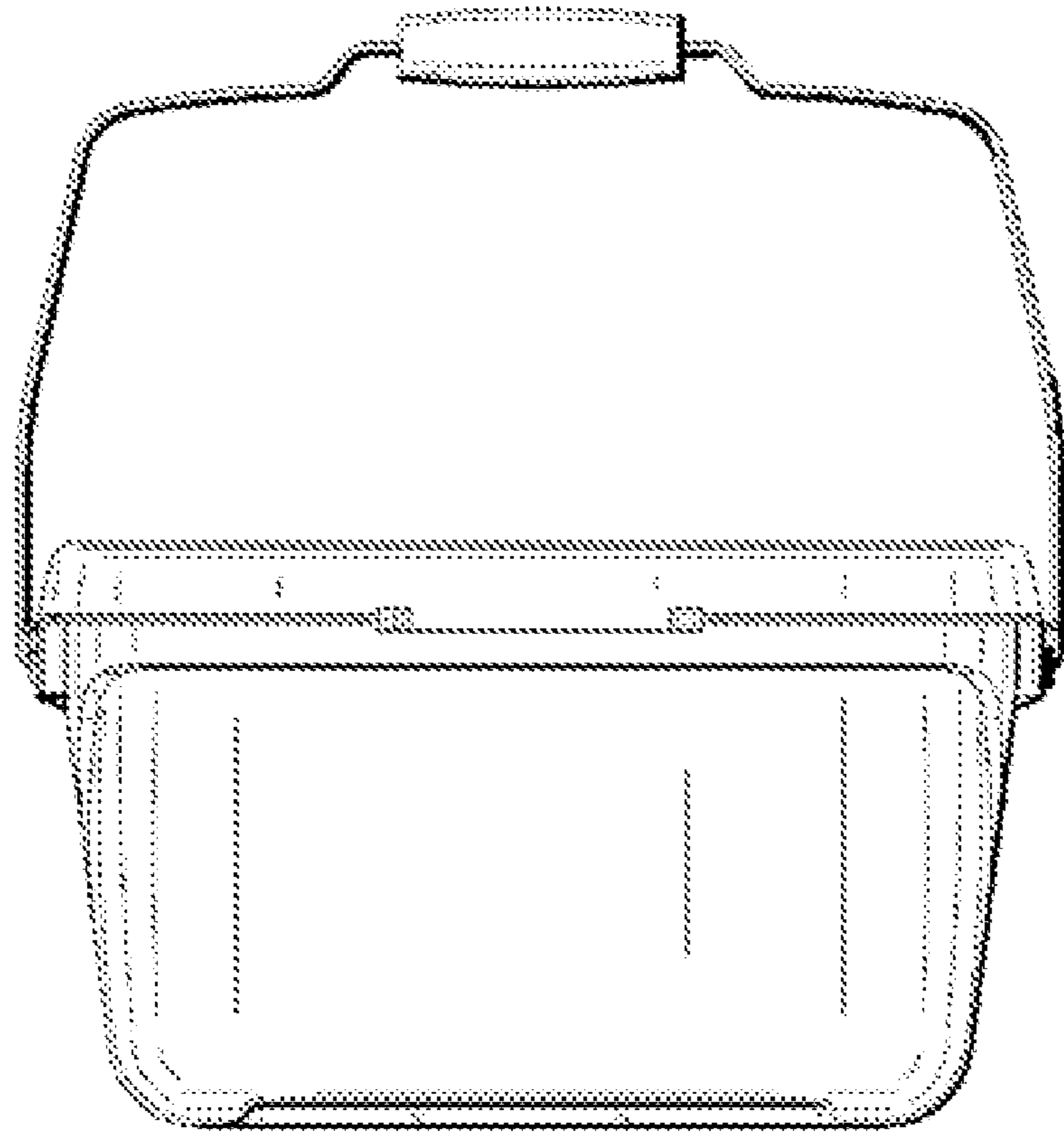


FIG. 7