



US00D582115S

(12) **United States Design Patent**  
**Peace et al.**

(10) **Patent No.:** **US D582,115 S**  
(45) **Date of Patent:** **\*\* Dec. 2, 2008**

(54) **CLEANING APPLIANCE**

(75) Inventors: **Michael James Peace**, Wiltshire (GB);  
**William Robert James White**, Wiltshire  
(GB)

(73) Assignee: **Dyson Limited**, Wiltshire (GB)

(\*\*) Term: **14 Years**

(21) Appl. No.: **29/271,390**

(22) Filed: **Jan. 18, 2007**

(30) **Foreign Application Priority Data**

Jul. 19, 2006 (GB) ..... 3025398

(51) **LOC (8) Cl.** ..... **15-05**

(52) **U.S. Cl.** ..... **D32/31**

(58) **Field of Classification Search** ..... D32/21–24,  
D32/31, 34, 16, 30; 15/320–321, 323, 327.1–327.7,  
15/329, 335, 340.2, 351, 353, 361, 410–412,  
15/246.2, 246.5, DIG. 10, 347, 350; 285/7;  
55/DIG. 3, 345, 337, 459.1, 418, 471, 318,  
55/429; 95/271

See application file for complete search history.

(56) **References Cited**

**U.S. PATENT DOCUMENTS**

D471,683 S \* 3/2003 Dyson et al. .... D32/30  
D505,761 S \* 5/2005 Gammack et al. .... D32/21

D518,611 S \* 4/2006 Hare ..... D32/21  
D555,849 S \* 11/2007 Choi et al. .... D32/21  
D556,962 S \* 12/2007 Choi et al. .... D32/21  
D557,469 S \* 12/2007 Choi et al. .... D32/21  
D557,470 S \* 12/2007 Choi et al. .... D32/21

\* cited by examiner

*Primary Examiner*—Ruth McInroy

(74) *Attorney, Agent, or Firm*—Morrison & Foerster LLP

(57) **CLAIM**

We claim the ornamental design for a cleaning appliance, as shown and described.

**DESCRIPTION**

FIG. 1 is a perspective view of a cleaning appliance showing our new design;

FIG. 2 is a top view thereof;

FIG. 3 is a bottom view thereof;

FIG. 4 is a side view thereof;

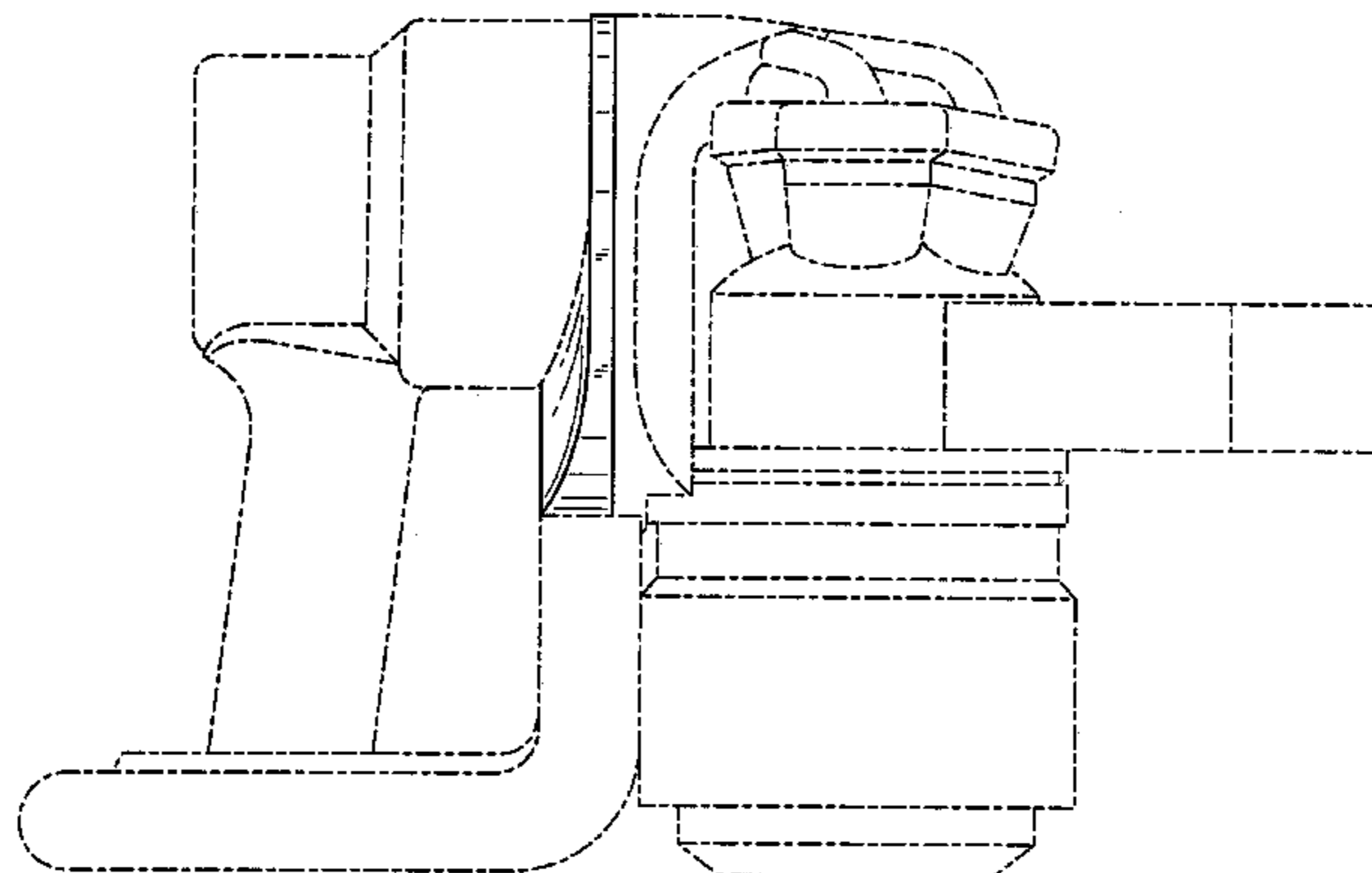
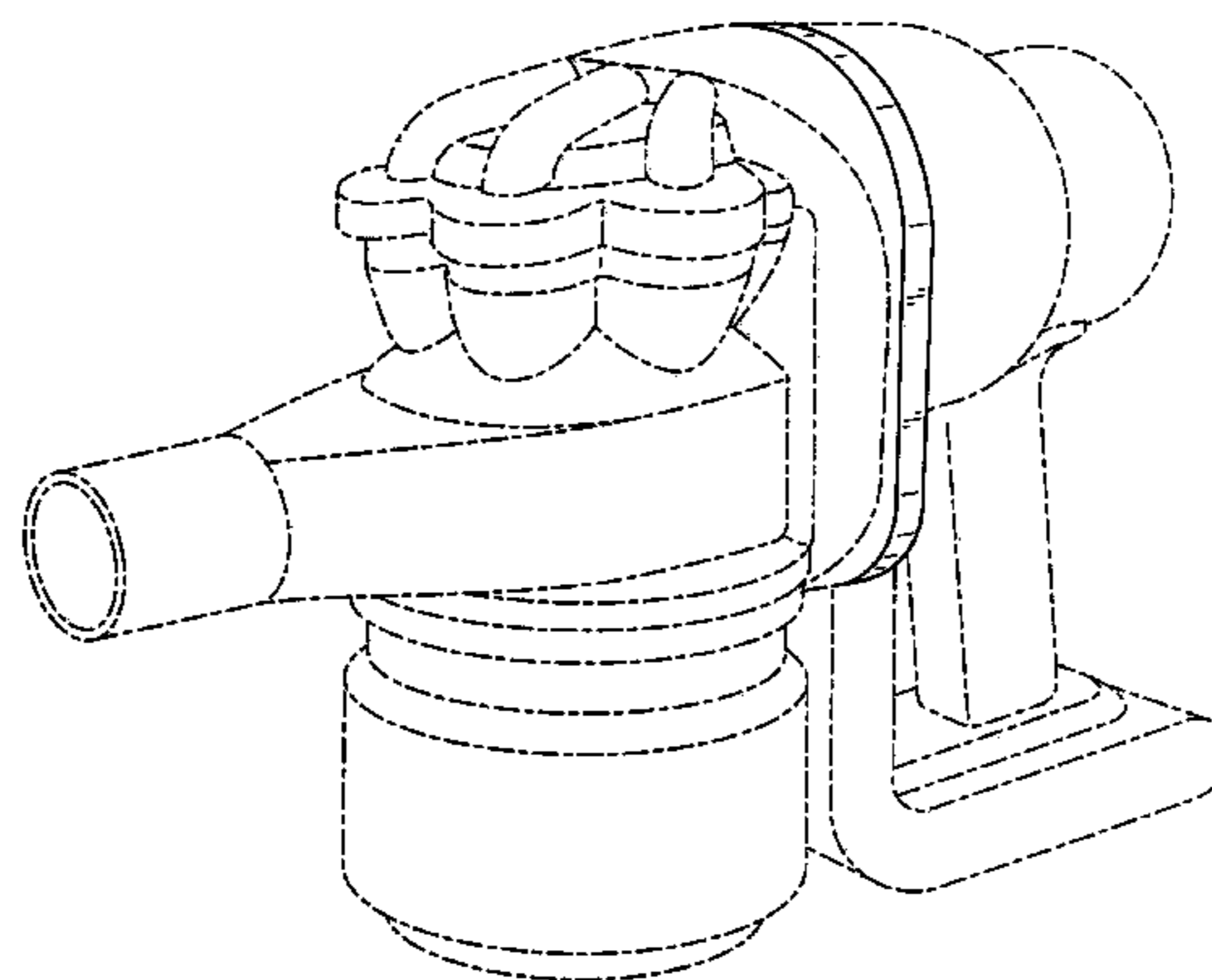
FIG. 5 is a side view of the opposite side of FIG. 4;

FIG. 6 is a front view thereof; and,

FIG. 7 is a rear view thereof.

The features of the design as claimed by applicants are shown in bold lines. The features shown in dotted lines are not claimed and are provided to indicate the context of the design.

**1 Claim, 7 Drawing Sheets**



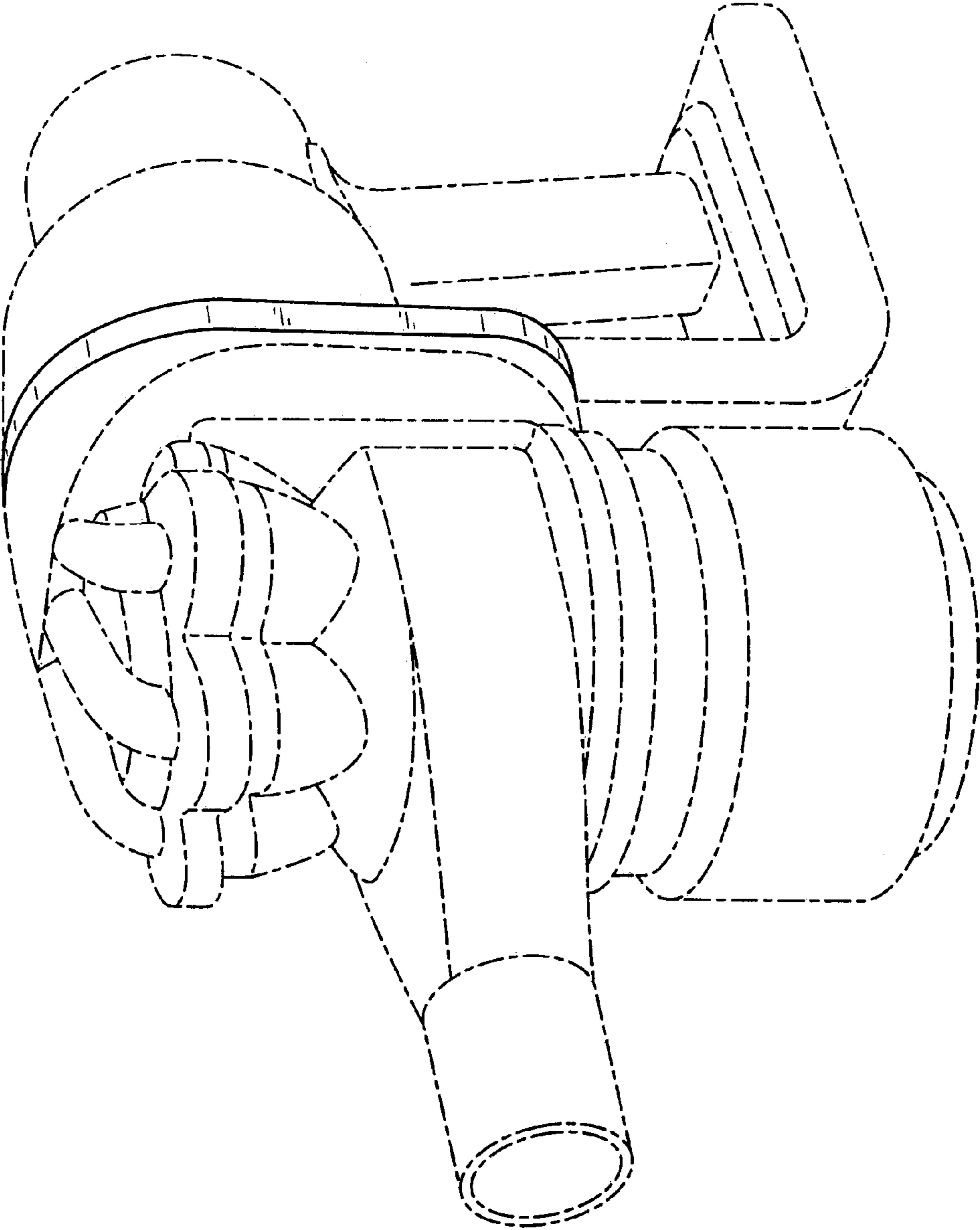


FIG. 1

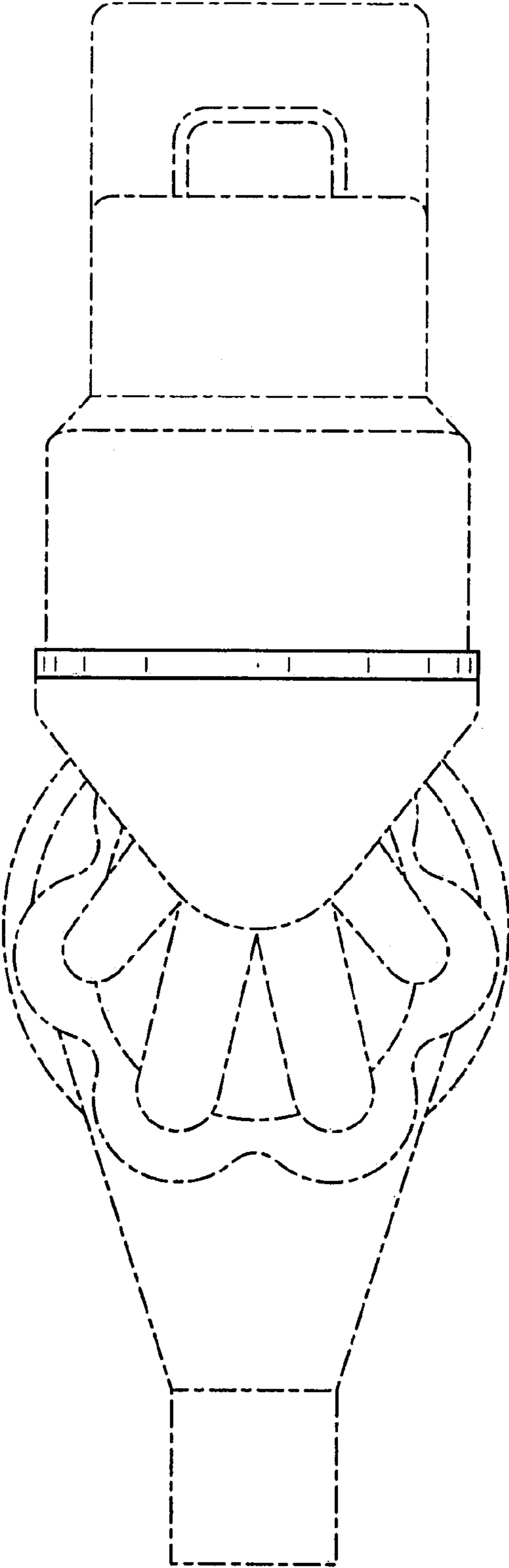


FIG. 2

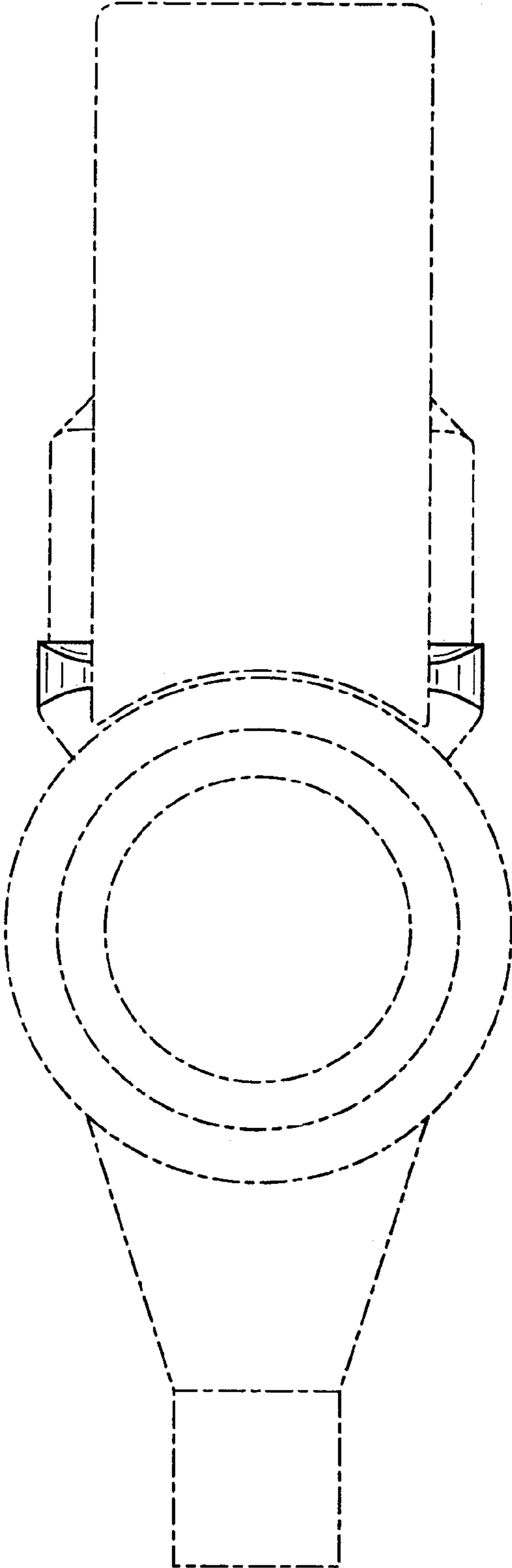


FIG. 3

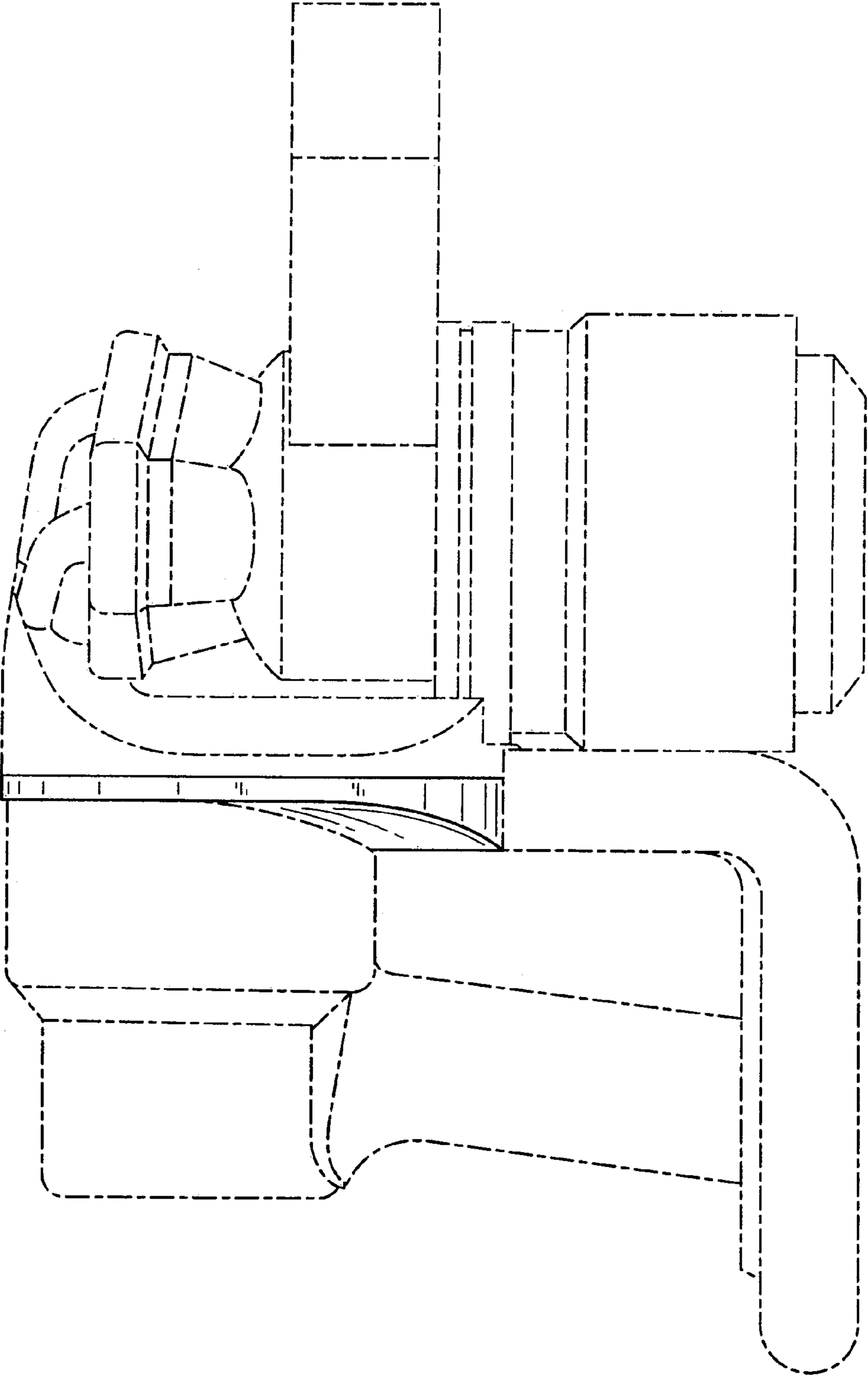


FIG. 4

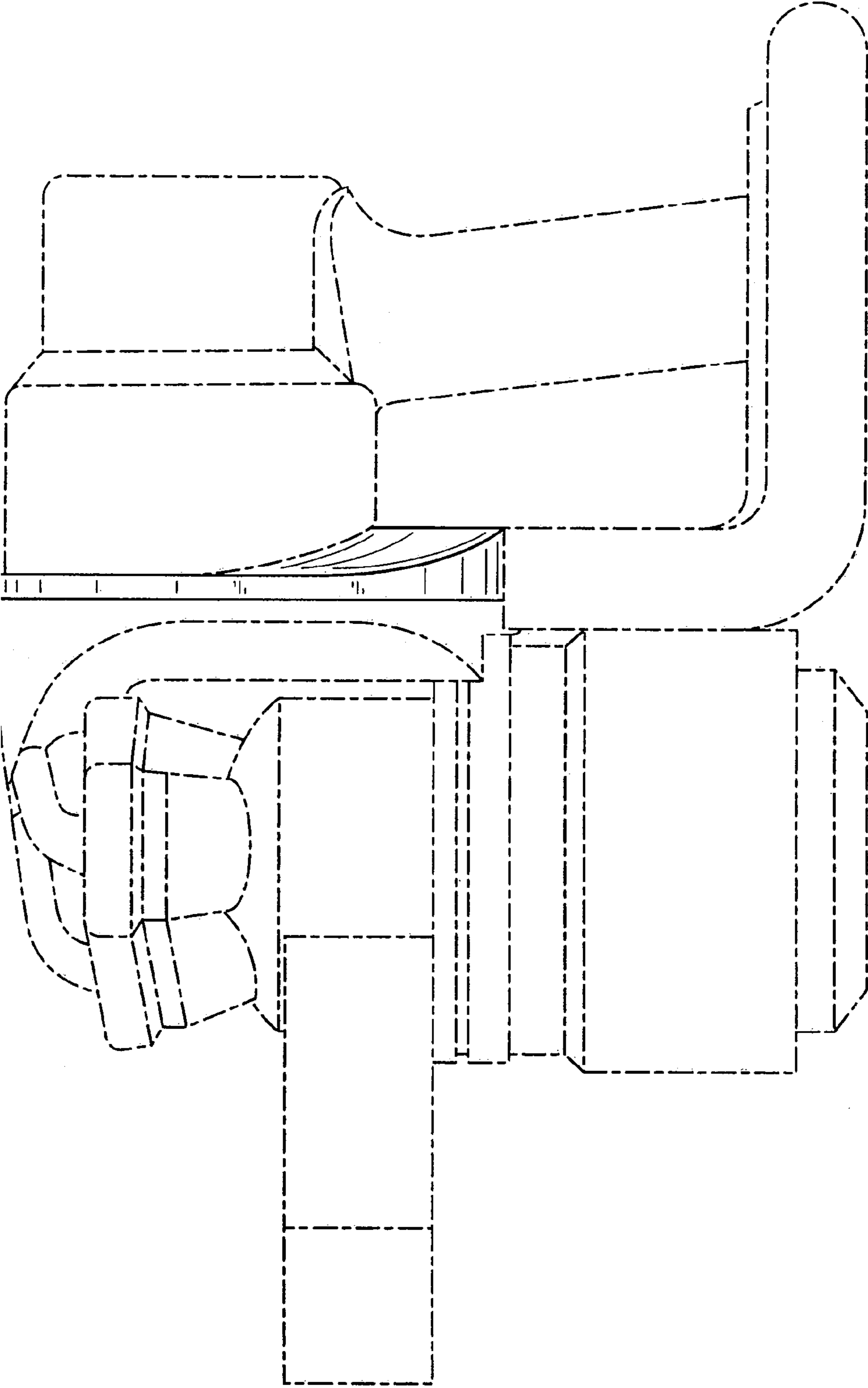


FIG. 5

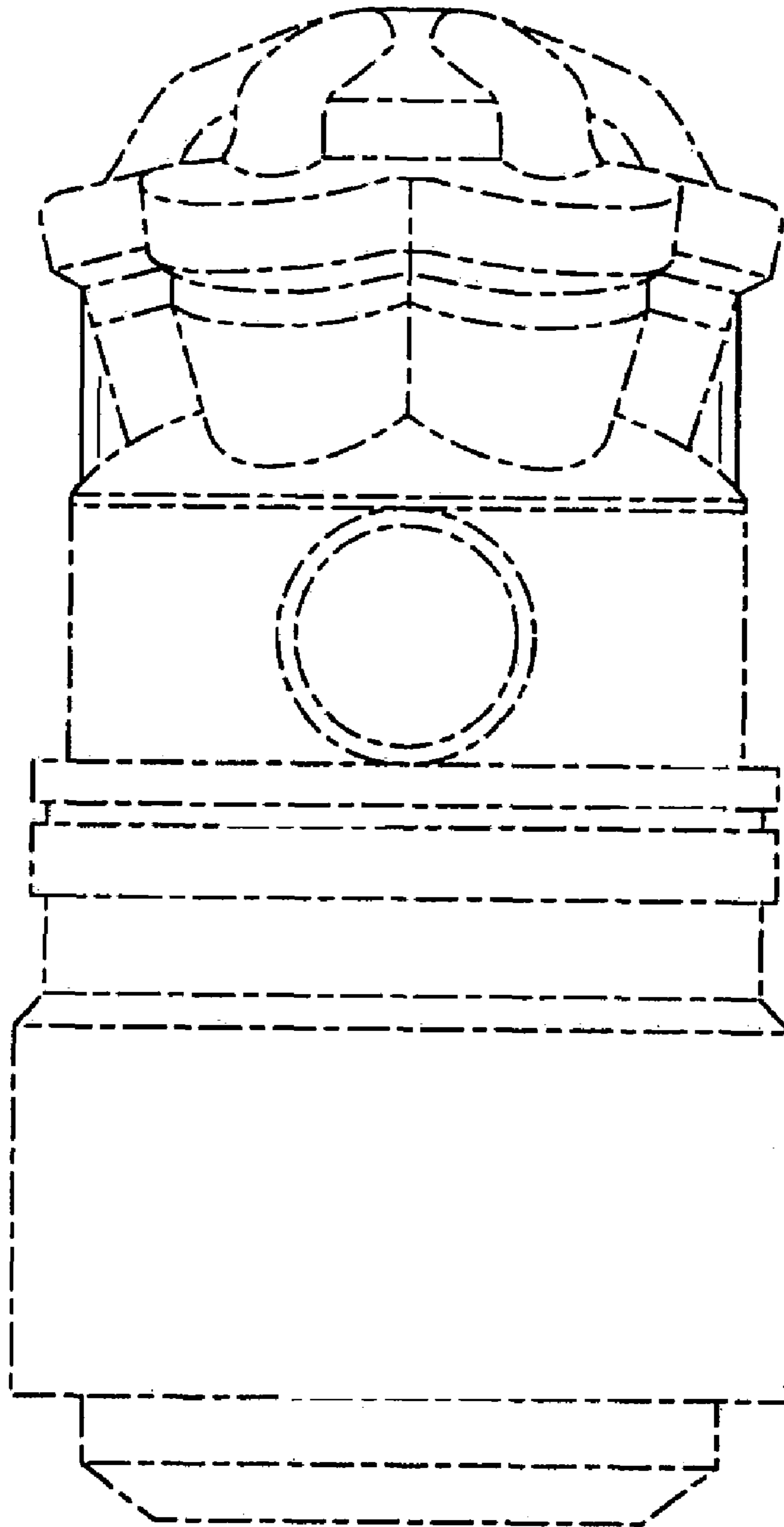


FIG. 6

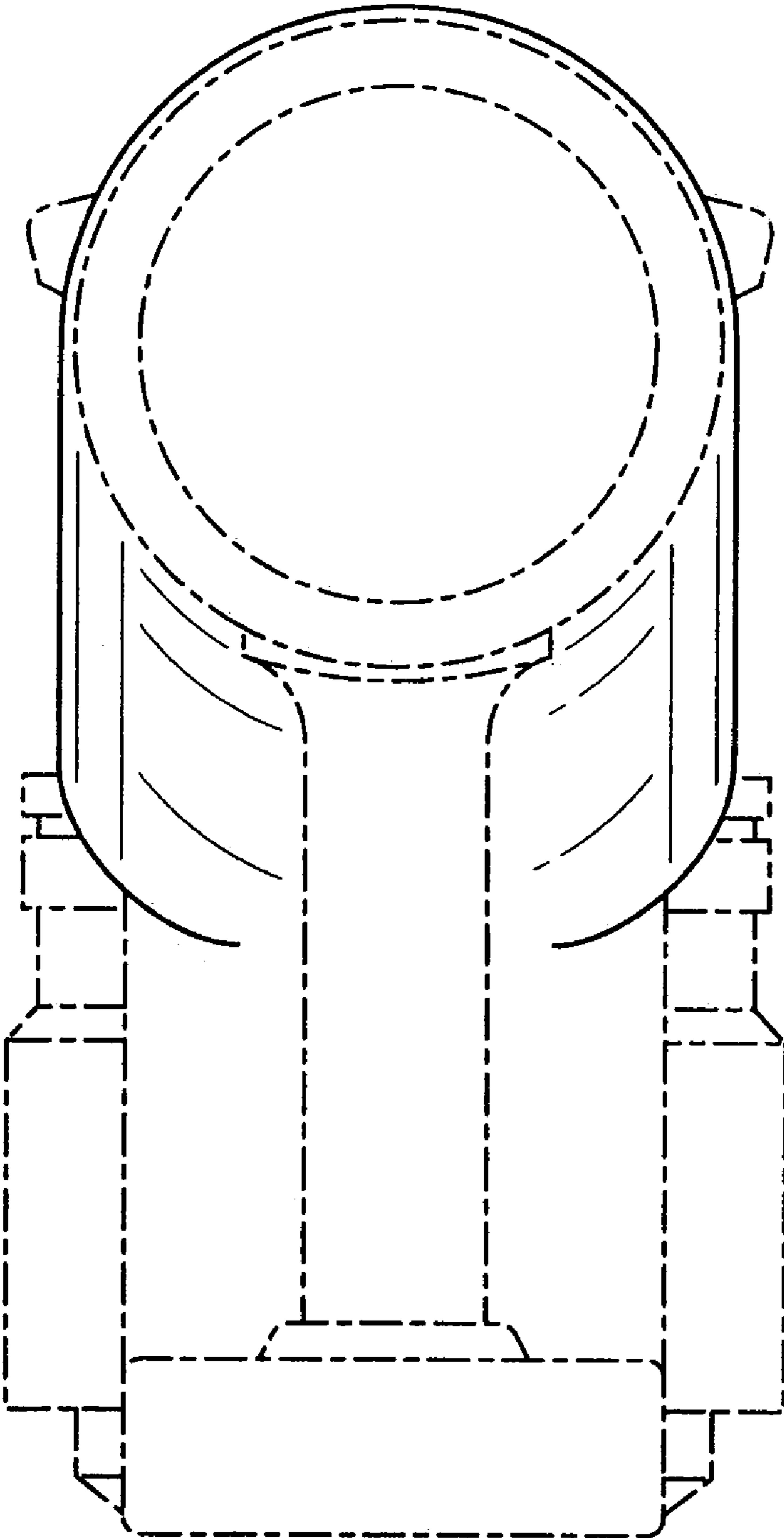


FIG. 7