



US00D582114S

(12) **United States Design Patent**
Dyson

(10) **Patent No.:** **US D582,114 S**
(45) **Date of Patent:** **** Dec. 2, 2008**

(54) **NOZZLE FOR A SURFACE-TREATING APPLIANCE**

D555,849 S * 11/2007 Choi et al. D32/21
D556,962 S * 12/2007 Choi et al. D32/21
D557,469 S * 12/2007 Choi et al. D32/21
D557,470 S * 12/2007 Choi et al. D32/21

(75) Inventor: **James Dyson**, Wiltshire (GB)

* cited by examiner

(73) Assignee: **Dyson Limited**, Wiltshire (GB)

Primary Examiner—Ruth McInroy

(**) Term: **14 Years**

(74) *Attorney, Agent, or Firm*—Morrison & Foerster LLP

(21) Appl. No.: **29/271,388**

(57) **CLAIM**

(22) Filed: **Jan. 18, 2007**

I claim the ornamental design for a nozzle for a surface-treating appliance, as shown and described.

(30) **Foreign Application Priority Data**

DESCRIPTION

Jul. 19, 2006 (GB) 3025398

(51) **LOC (8) Cl.** **15-05**

FIG. 1 is a perspective view of a nozzle for a surface-treating appliance showing my new design;

(52) **U.S. Cl.** **D32/31**

FIG. 2 is a top view thereof;

(58) **Field of Classification Search** D32/21–24,
D32/31, 34, 16, 30; 15/320–321, 323, 327.1–327.7,
15/329, 335, 340.2, 351, 353, 361, 410–412,
15/246.2, 246.5, DIG. 10, 347, 350; 285/7;
55/DIG. 3, 345, 337, 459.1, 418, 471, 318,
55/429; 95/271

FIG. 3 is a bottom view thereof;

FIG. 4 is a side view thereof;

FIG. 5 is a side view of the opposite side of FIG. 4;

See application file for complete search history.

FIG. 6 is a front view thereof; and,

FIG. 7 is a rear view of a surface-treating appliance having on its front side a nozzle of my new design.

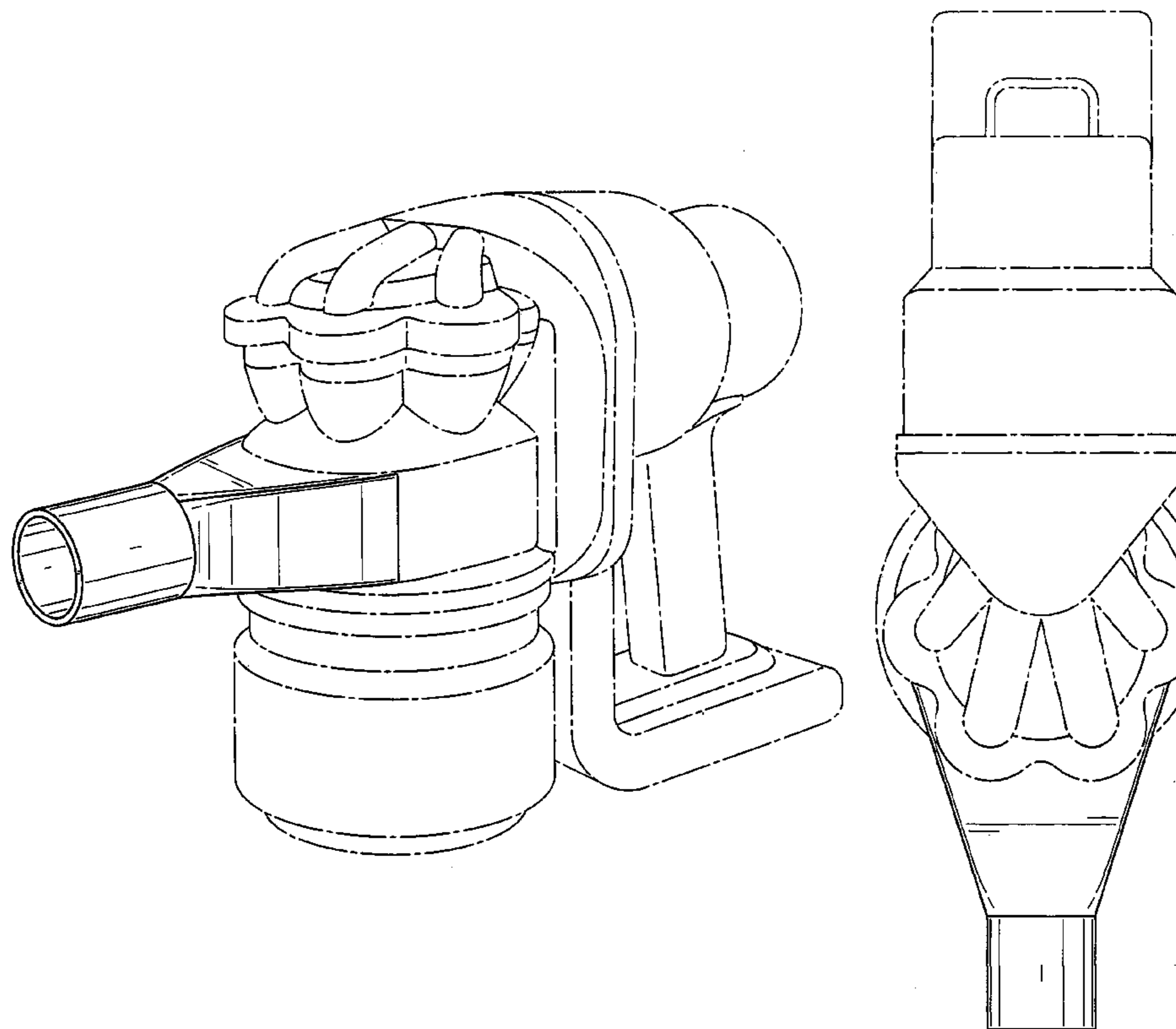
(56) **References Cited**

The features of the design as claimed by applicant are shown in bold lines. The features shown in dotted lines are not claimed and are provided to indicate the context of the design.

U.S. PATENT DOCUMENTS

D471,683 S * 3/2003 Dyson et al. D32/30
D505,761 S * 5/2005 Gammack et al. D32/21
D518,611 S * 4/2006 Hare D32/21

1 Claim, 7 Drawing Sheets



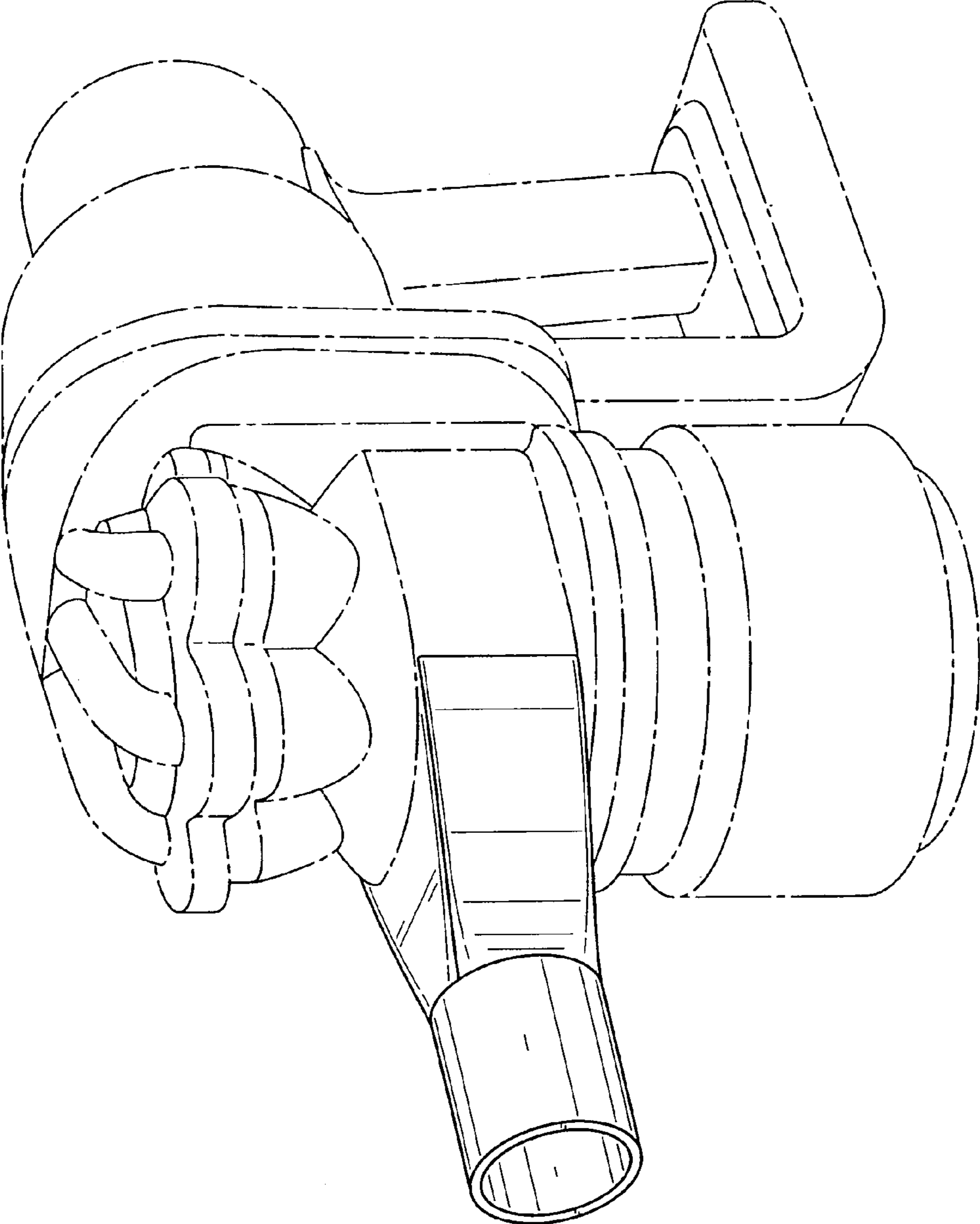


FIG. 1

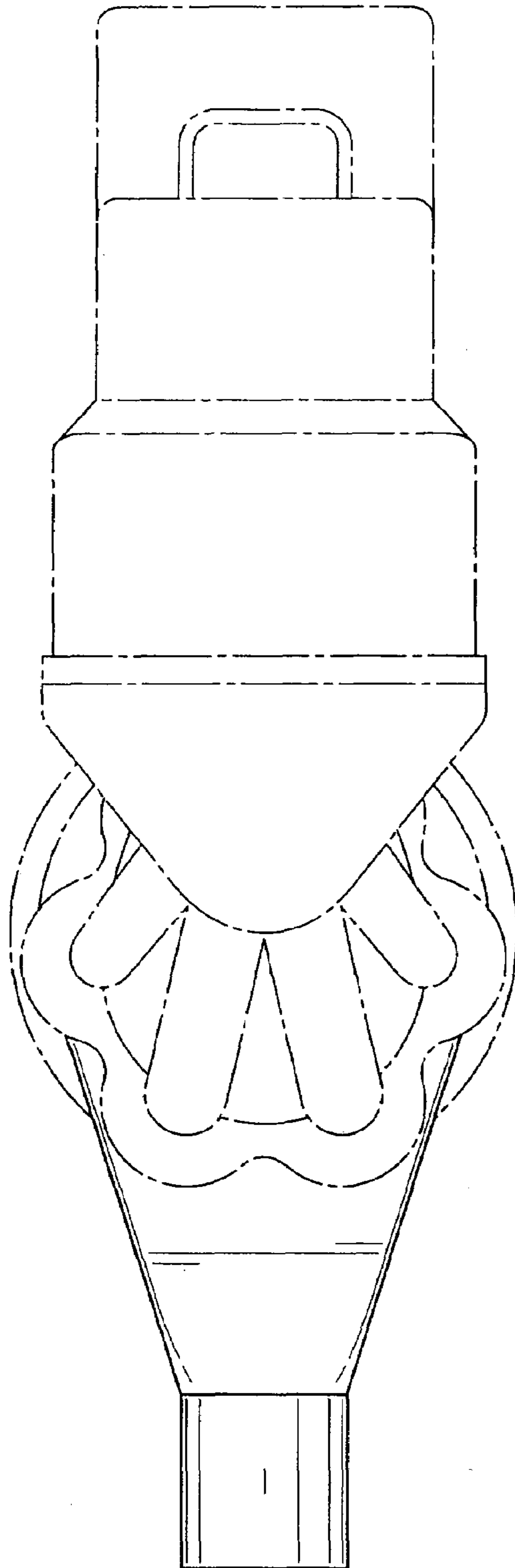


FIG. 2

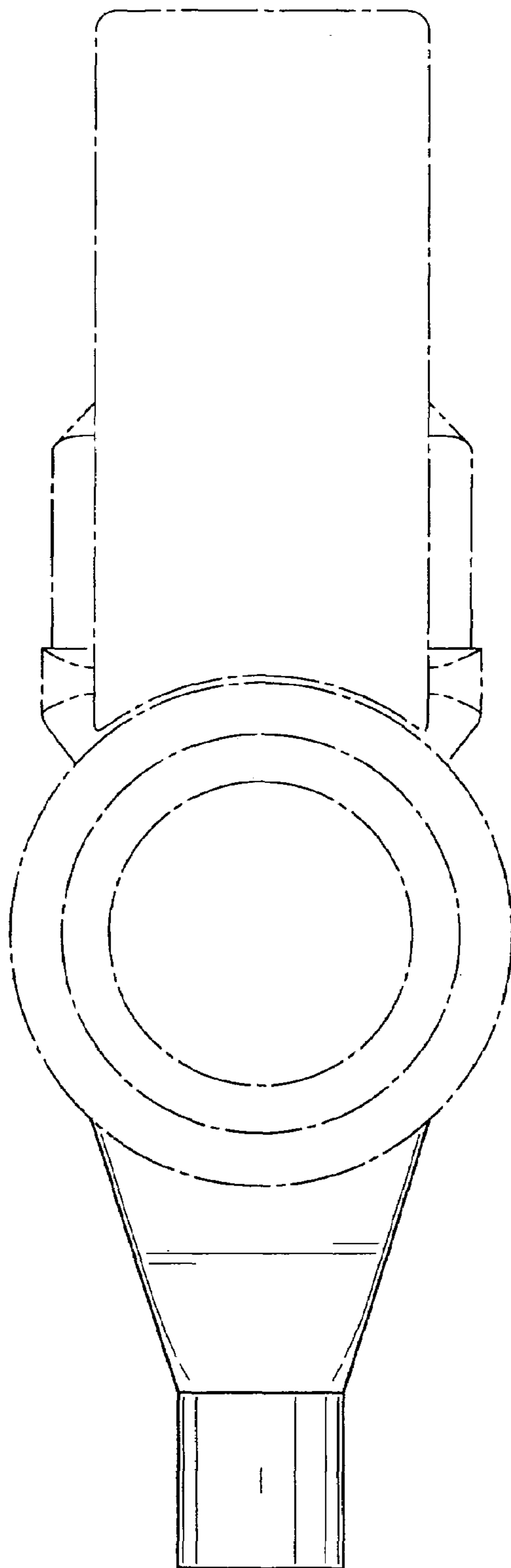


FIG. 3

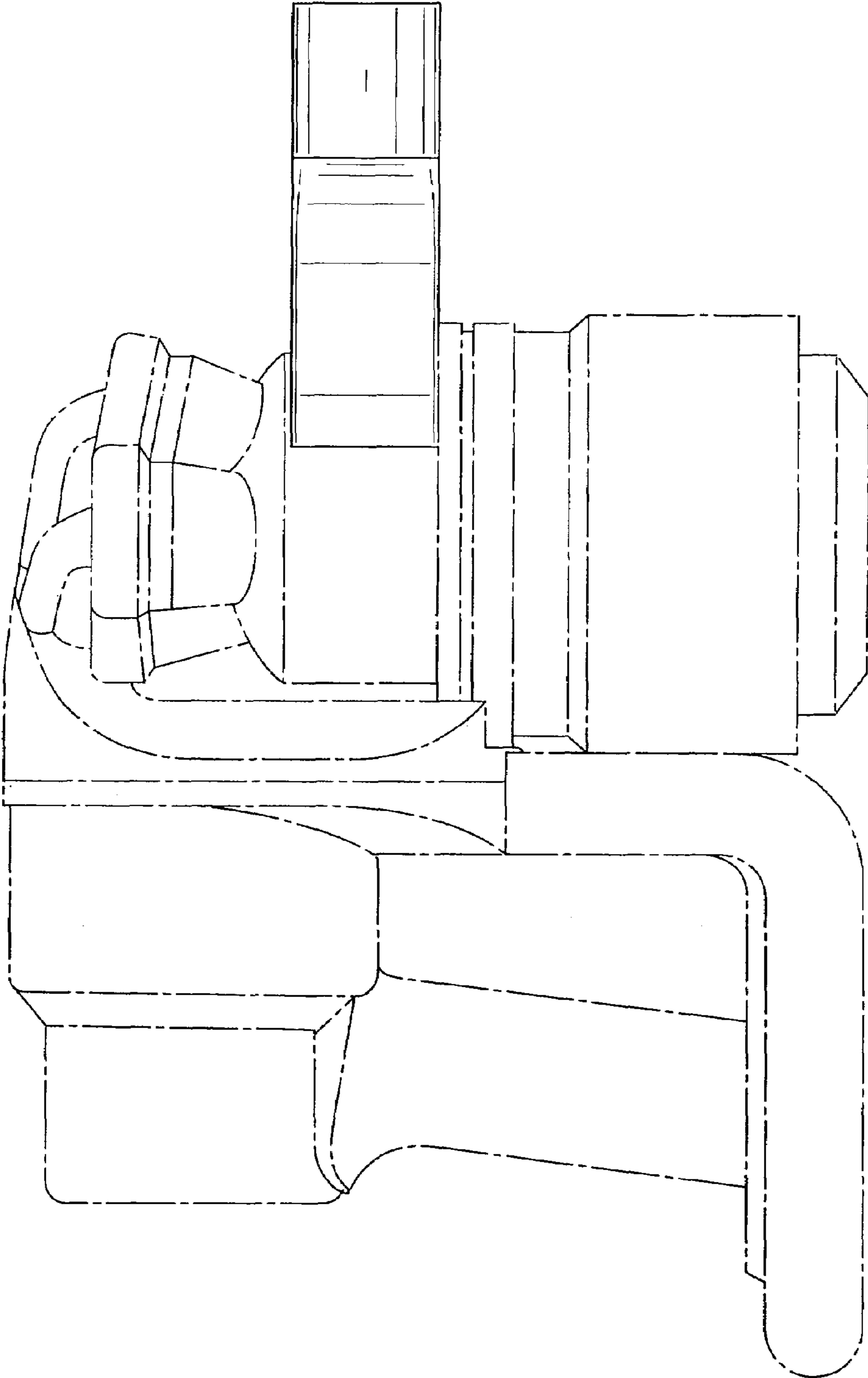


FIG. 4

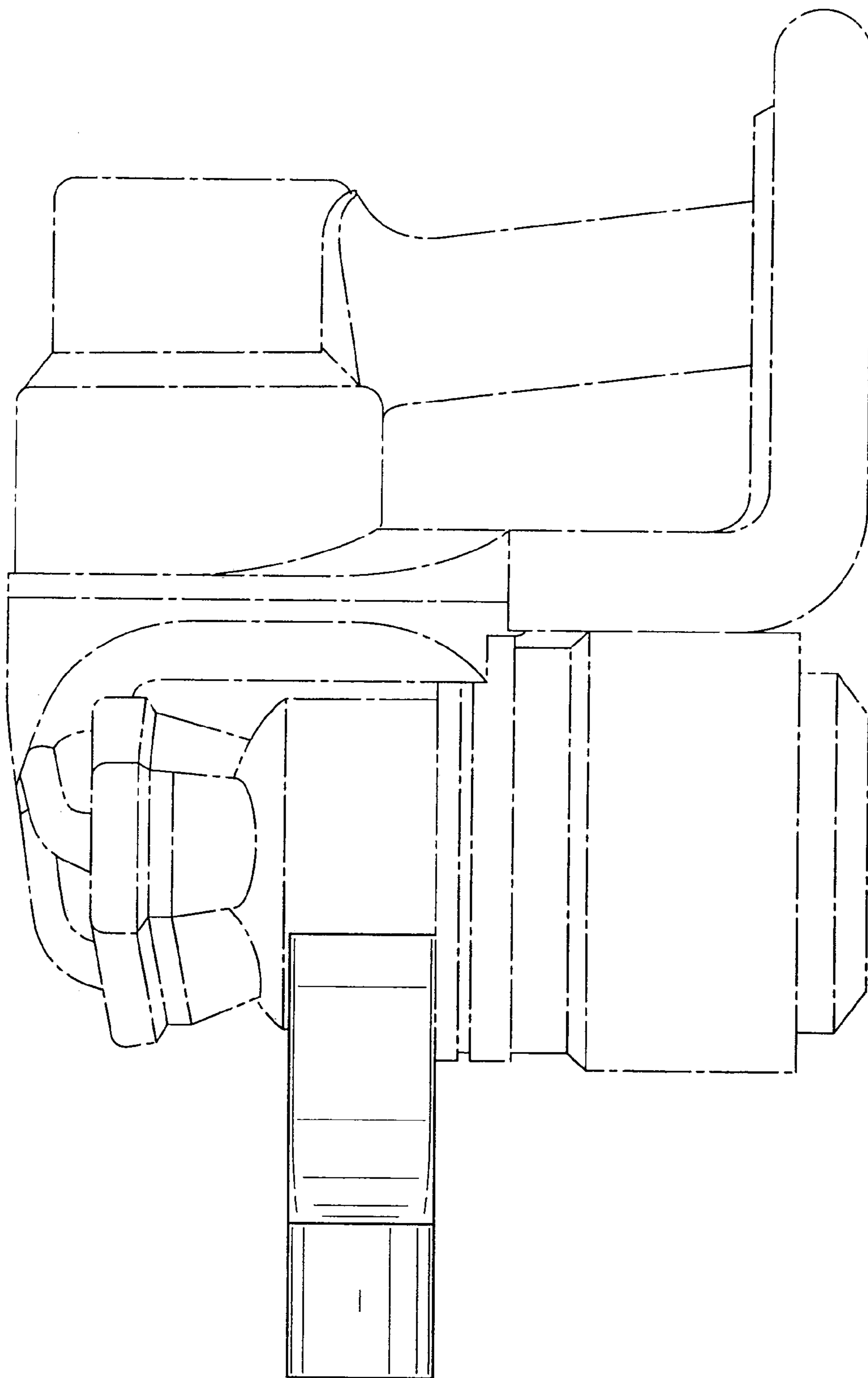


FIG. 5

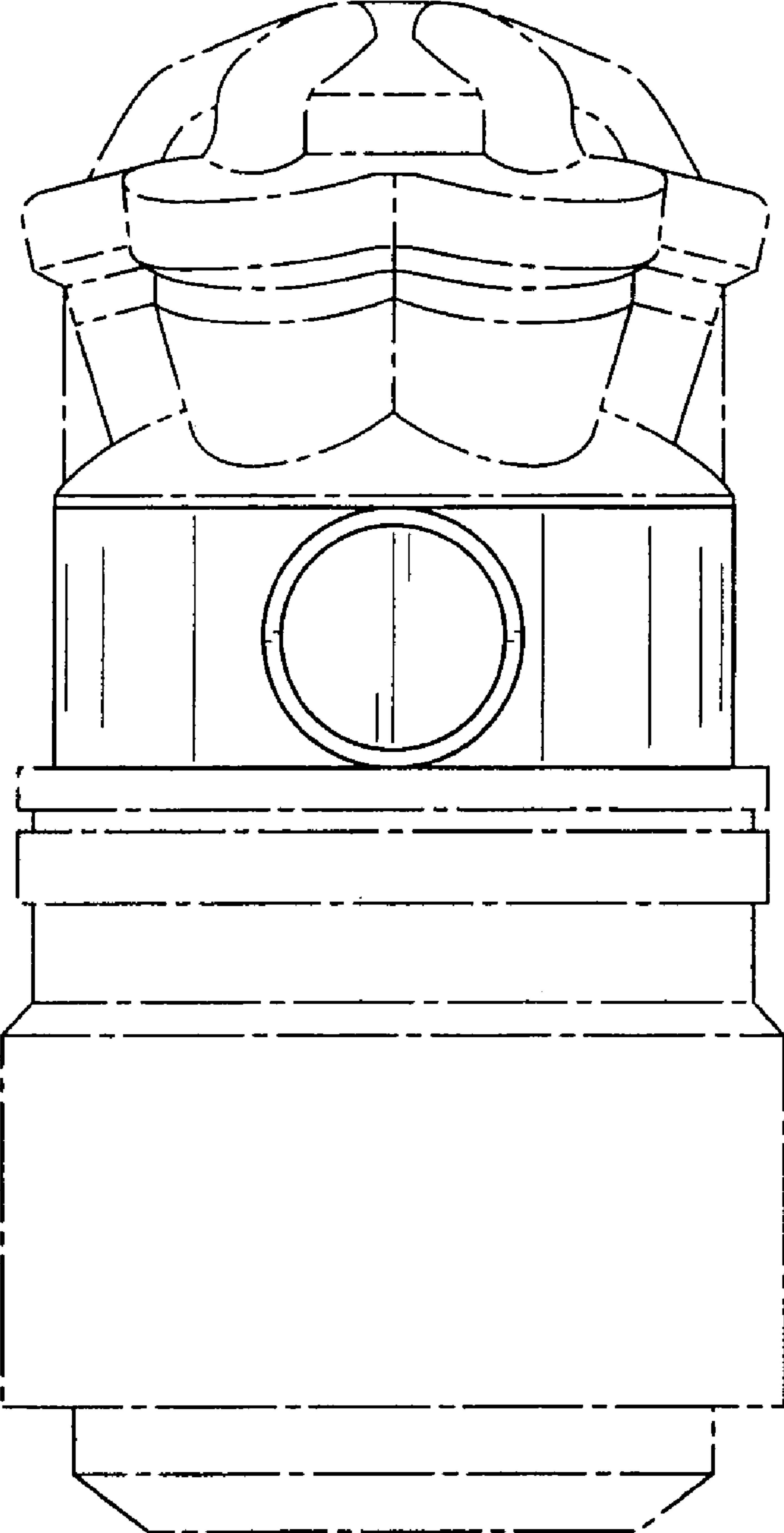


FIG. 6

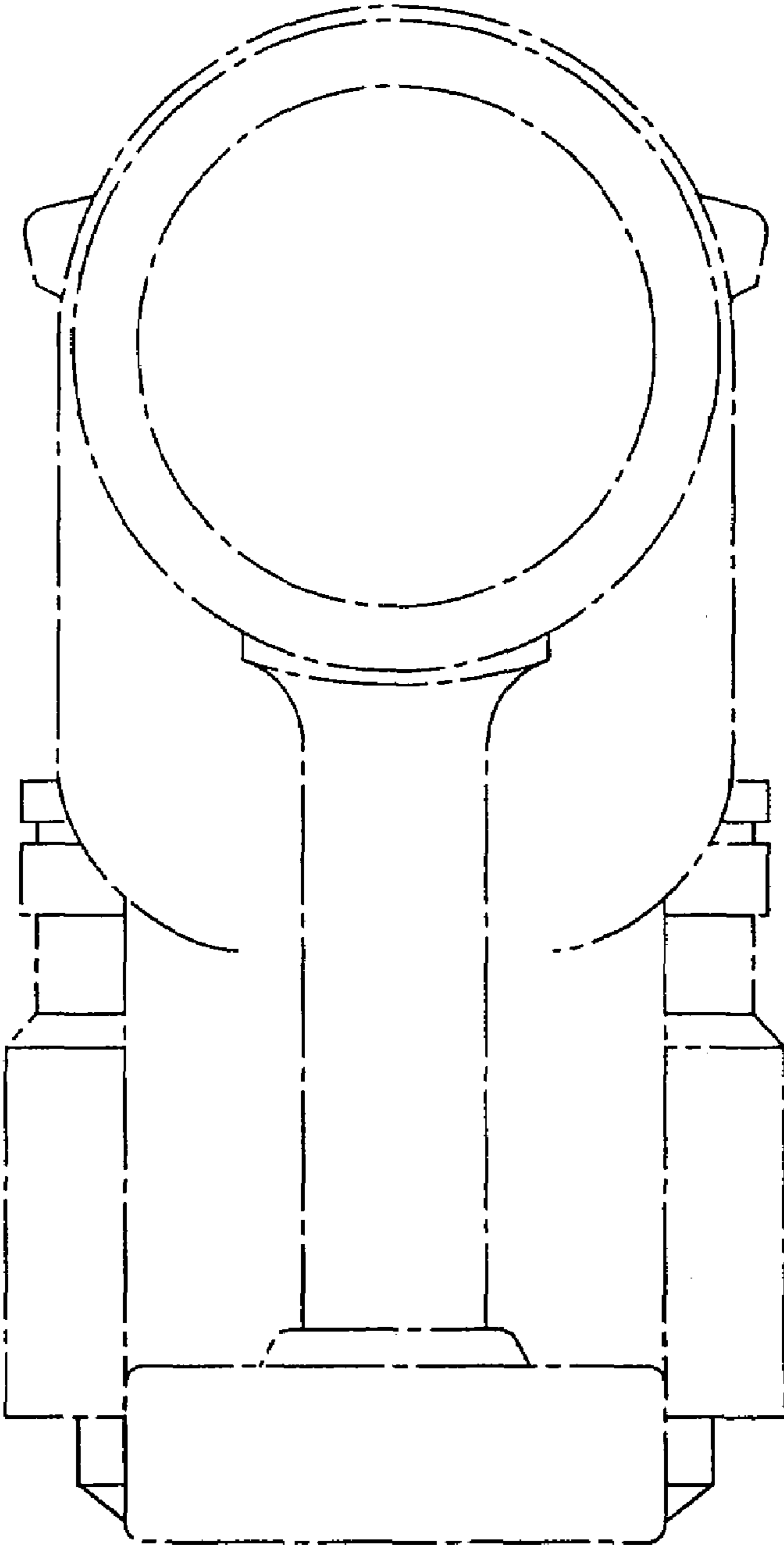


FIG. 7