



US00D582110S

(12) **United States Design Patent**
Baek

(10) **Patent No.:** **US D582,110 S**
(45) **Date of Patent:** **** Dec. 2, 2008**

(54) **BODY OF VACUUM CLEANER**

(75) Inventor: **Byung Kook Baek**, Kyungki-do (KR)

(73) Assignee: **Samsung Electronics Co., Ltd.**, Suwon (KR)

(**) Term: **14 Years**

(21) Appl. No.: **29/294,634**

(22) Filed: **Jan. 18, 2008**

(51) **LOC (8) Cl.** **15-05**

(52) **U.S. Cl.** **D32/21**

(58) **Field of Classification Search** D32/21-24,
D32/31, 34, 16; 15/320-321, 323, 327.1-327.7,
15/329, 335, 340.2, 351, 353, 361, 410-412;
55/DIG. 3, 345, 337, 459.1

See application file for complete search history.

(56) **References Cited**

U.S. PATENT DOCUMENTS

D550,910 S * 9/2007 Shin D32/21
D551,403 S * 9/2007 Shin D32/21
D553,311 S * 10/2007 Shin D32/21

D553,812 S * 10/2007 Shin D32/21
D554,308 S * 10/2007 Shin D32/21
D556,400 S * 11/2007 Houghton et al. D32/21
D565,813 S * 4/2008 Shin D32/21

* cited by examiner

Primary Examiner—Ruth McInroy

(74) *Attorney, Agent, or Firm*—Ladas and Parry LLP

(57) **CLAIM**

I claim the ornamental design for body of vacuum cleaner, as shown.

DESCRIPTION

FIG. 1 is a top, front and right-side perspective view of a body of vacuum cleaner showing our new design;

FIG. 2 is a front elevational view thereof;

FIG. 3 is a rear elevational view thereof;

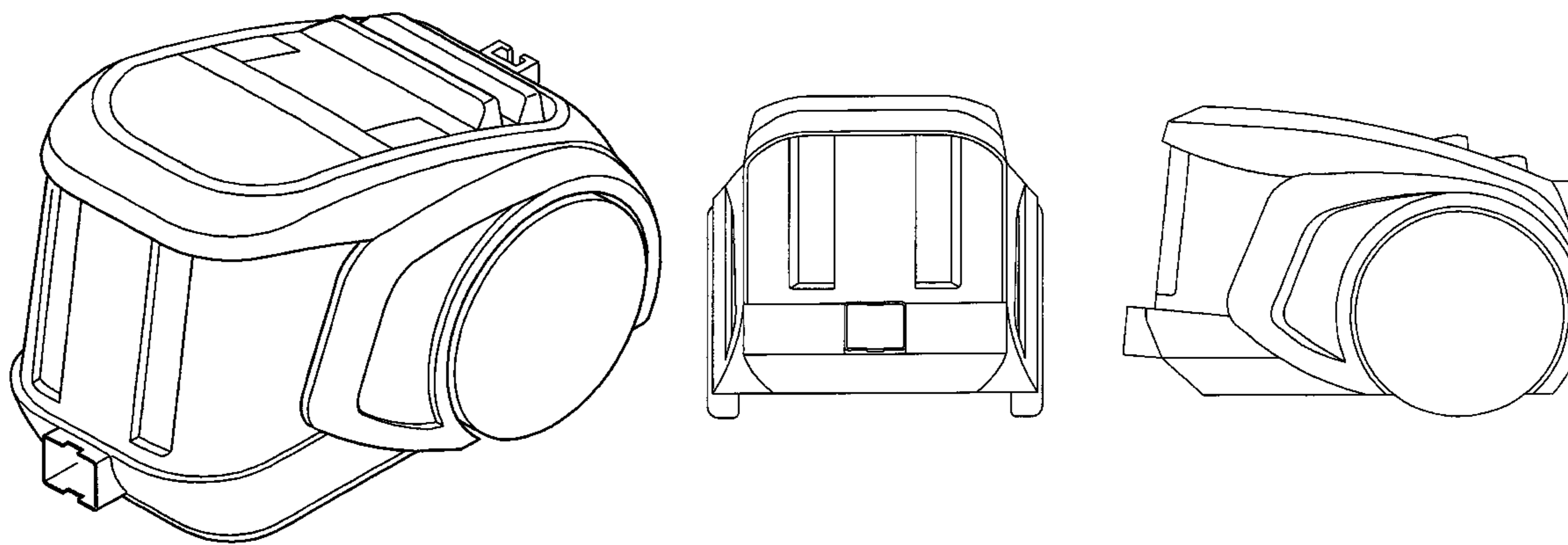
FIG. 4 is a left-side elevational view thereof;

FIG. 5 is a right-side elevational view thereof;

FIG. 6 is a top plan view thereof; and,

FIG. 7 is a bottom plan view thereof.

1 Claim, 5 Drawing Sheets



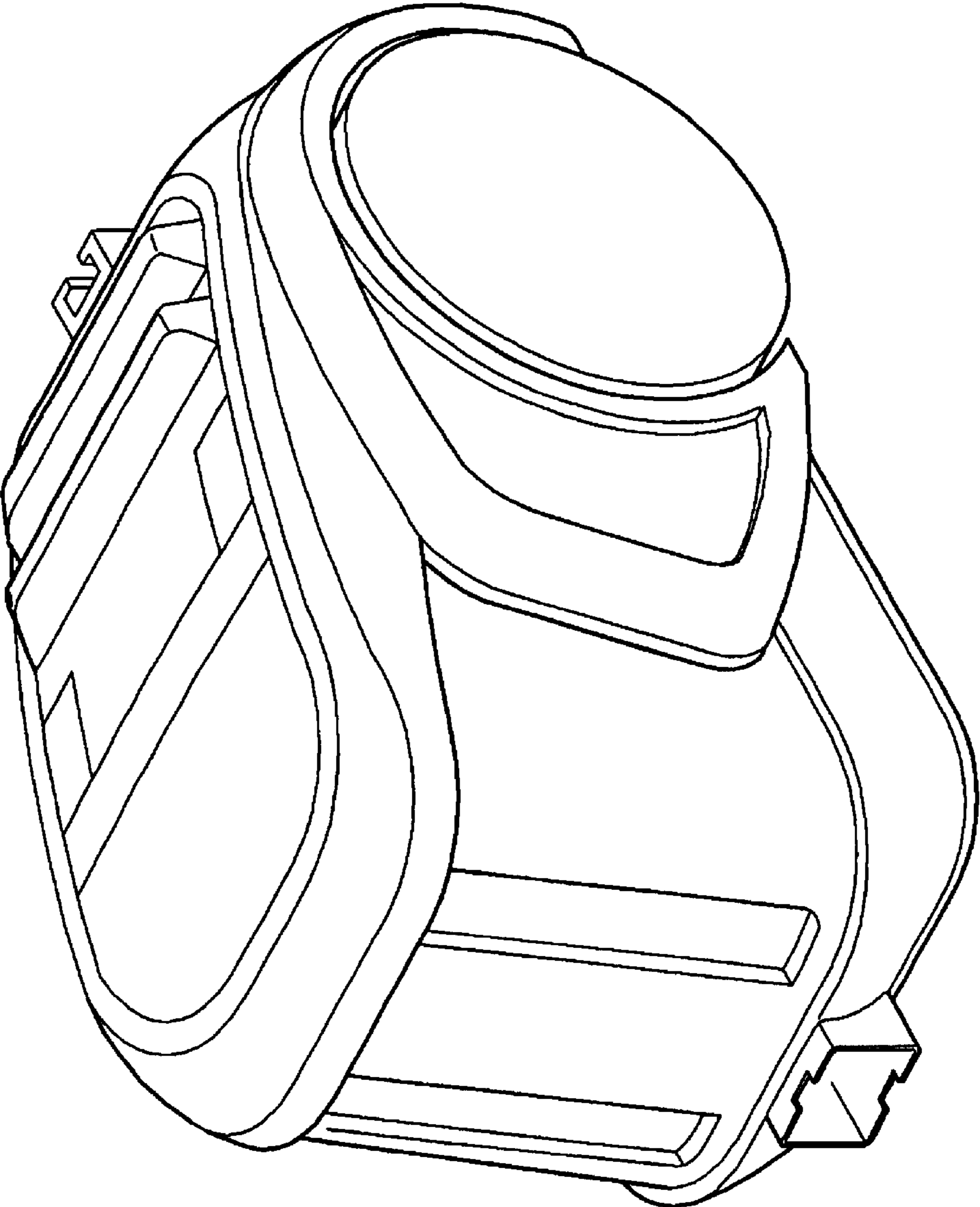


FIG. 1

FIG. 2

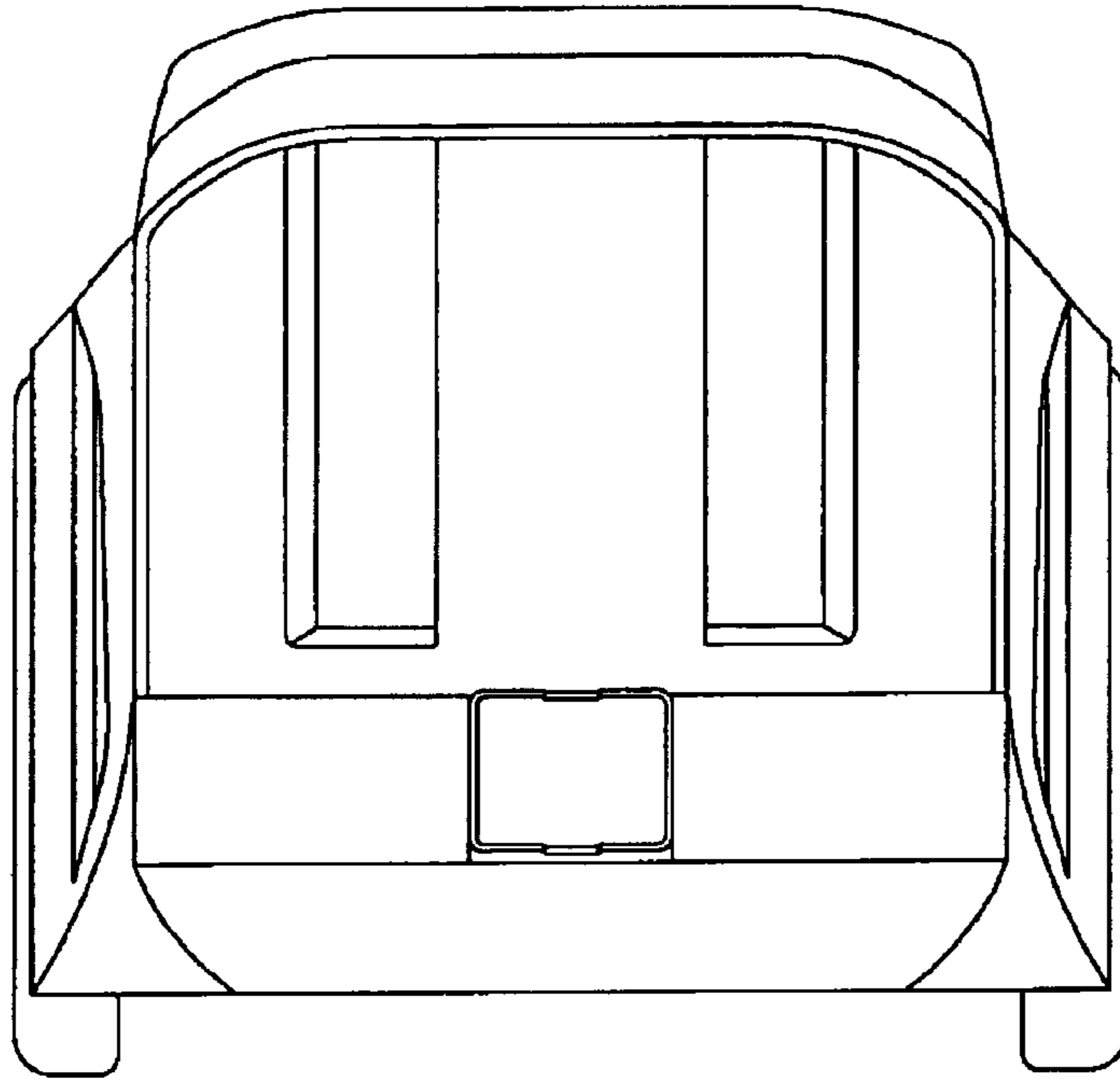


FIG. 3

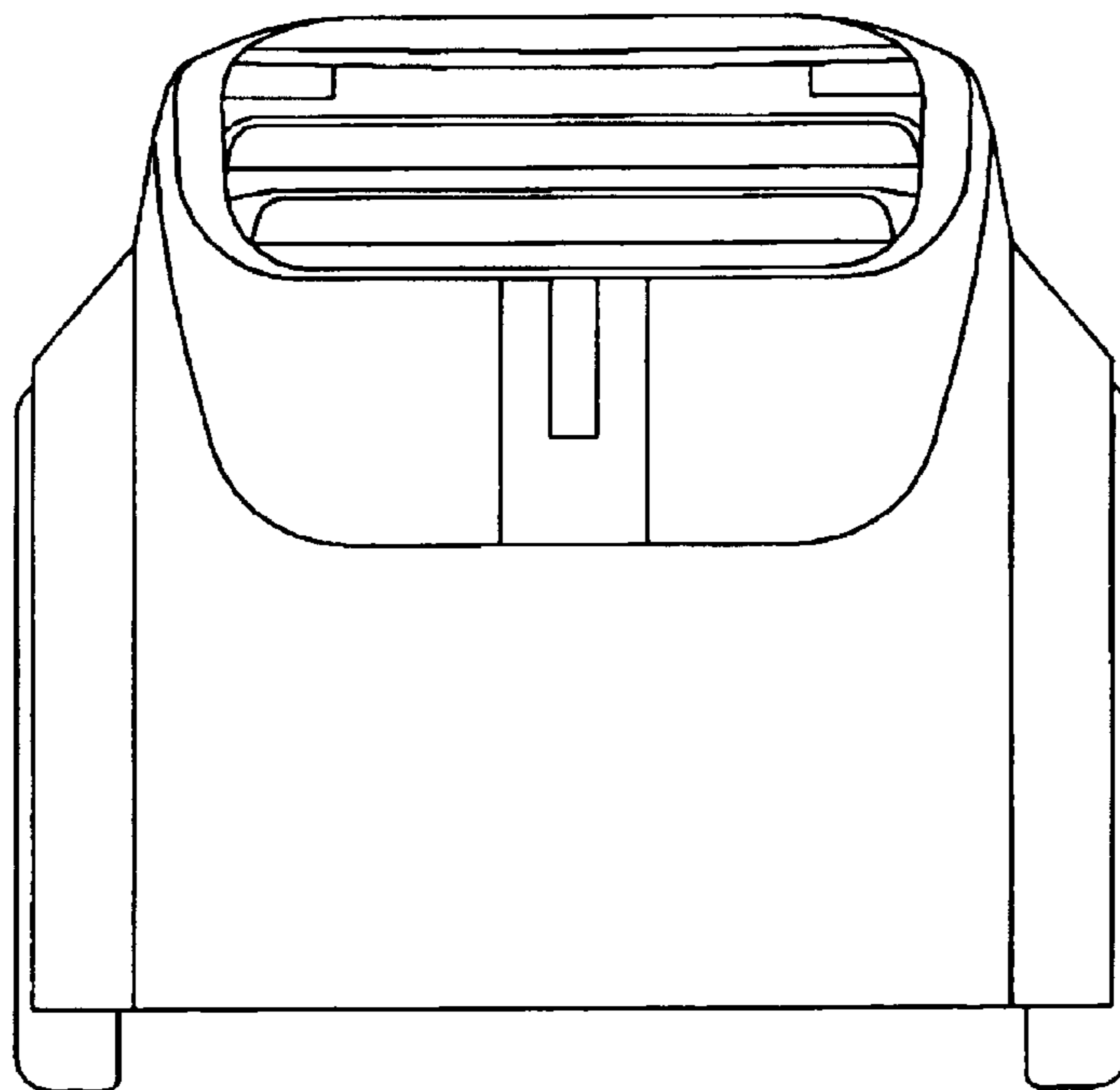


FIG. 4

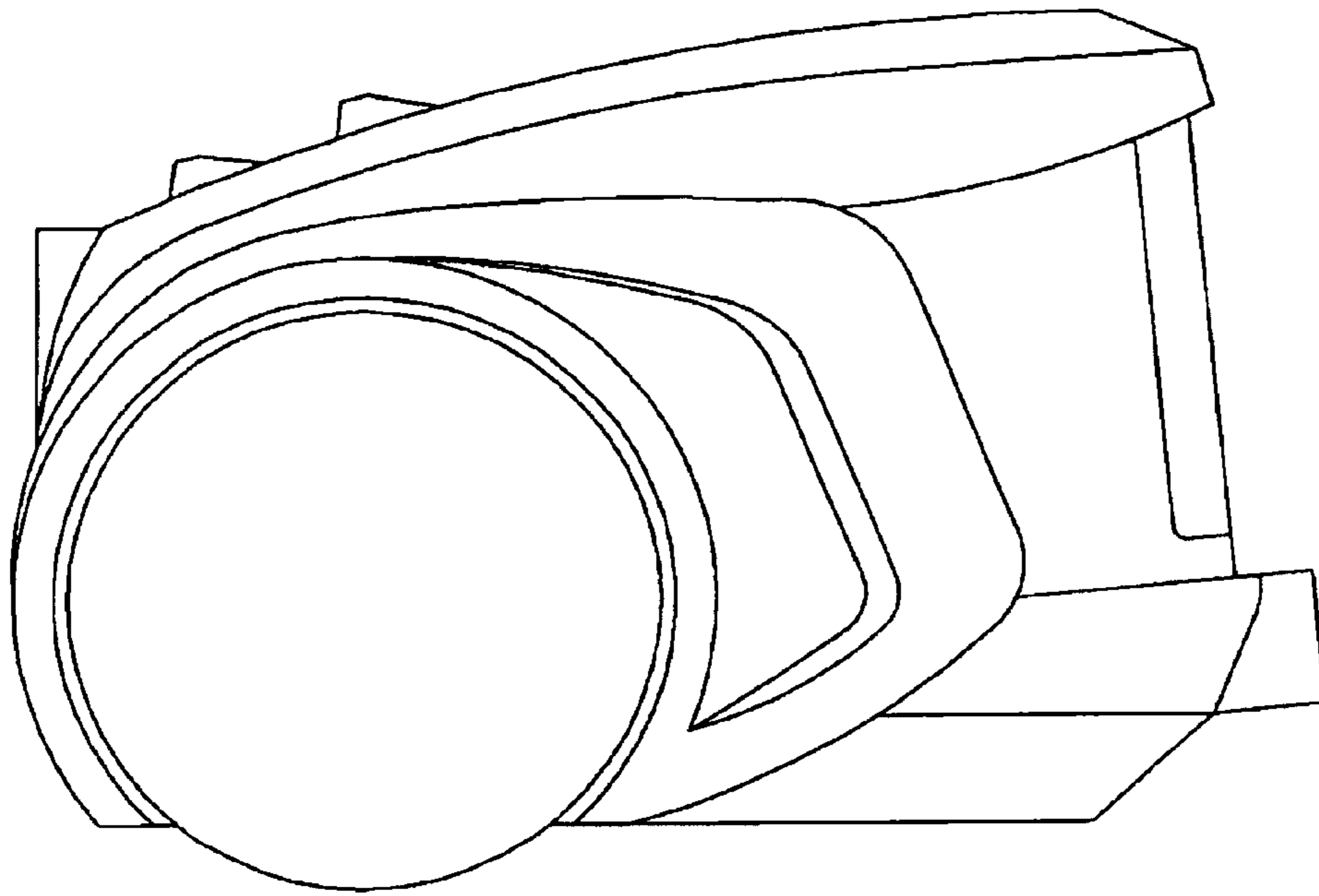


FIG. 5

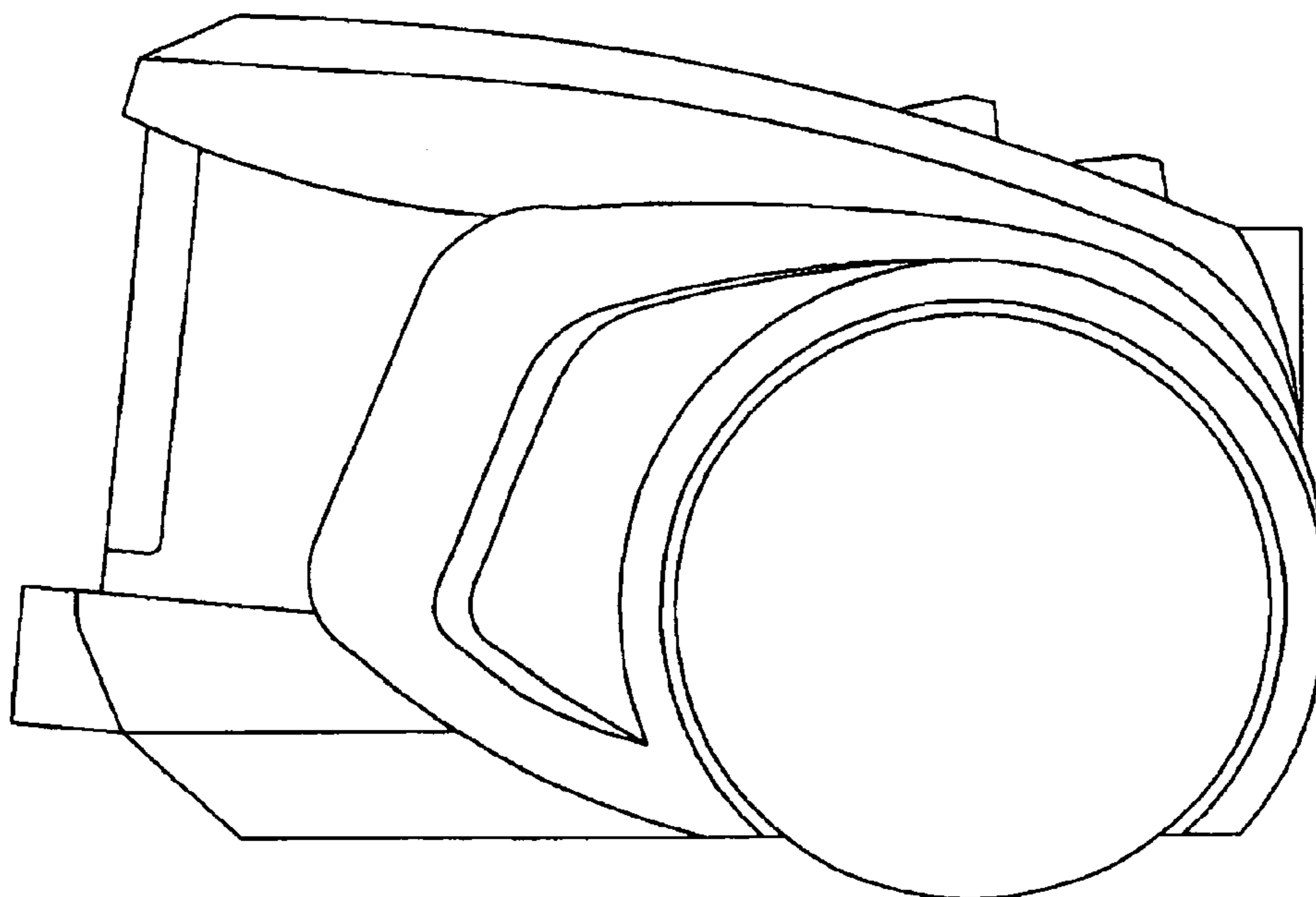


FIG. 6

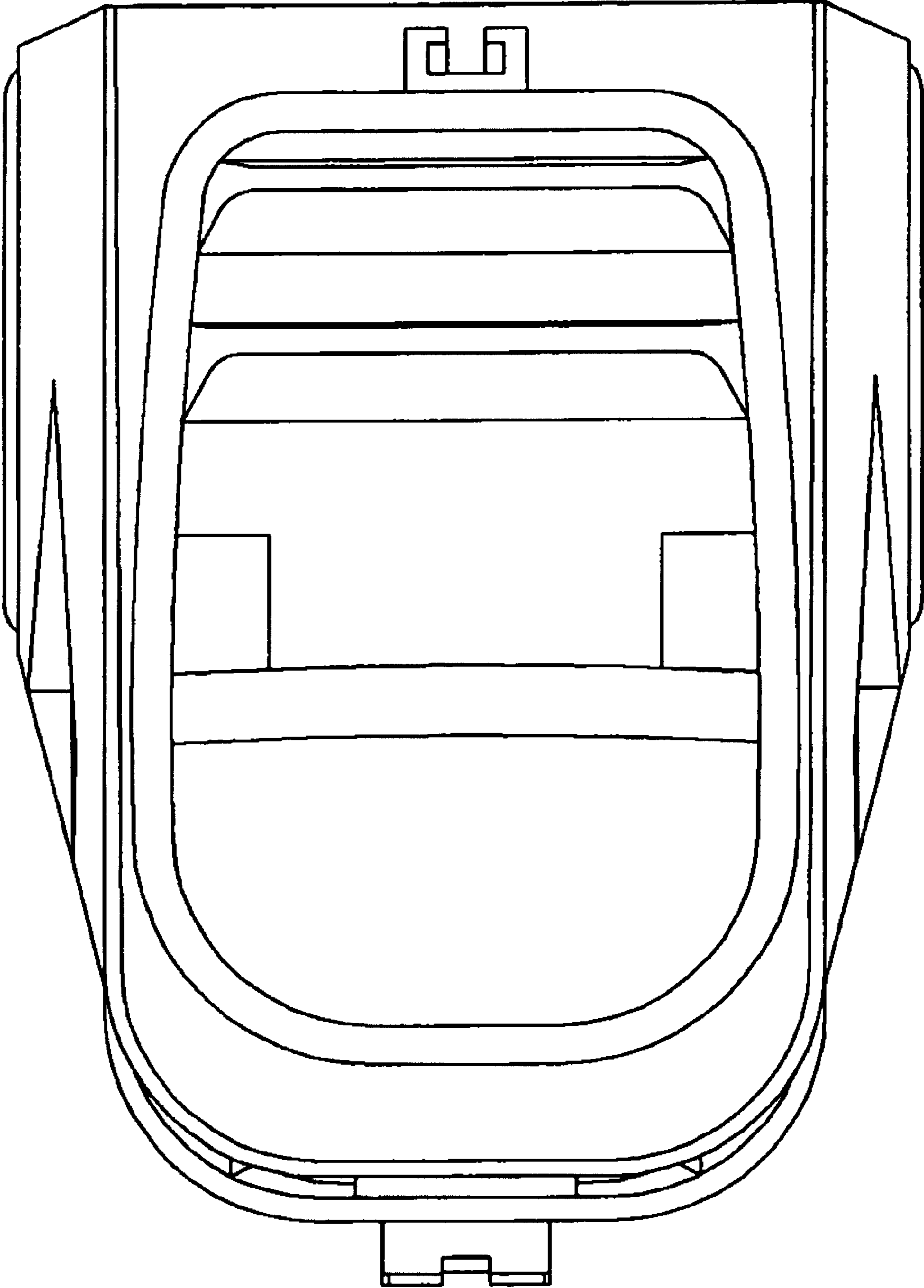


FIG. 7

